



US00D442269S

(12) **United States Design Patent**
Pinchuk

(10) **Patent No.:** **US D442,269 S**

(45) **Date of Patent:** **** *May 15, 2001**

(54) **PERSONAL COOLING DEVICE**

2,250,840 * 7/1941 Pomeranz .
4,204,543 * 5/1980 Henderson .
5,802,865 * 9/1998 Strauss 62/259.3

(75) Inventor: **Rene C. Pinchuk**, Kensington, CA
(US)

* cited by examiner

(73) Assignee: **Sharper Image Corporation**, San
Francisco, CA (US)

Primary Examiner—B. J. Bullock
(74) *Attorney, Agent, or Firm*—Flehr Hohbach Test
Albritton & Herbert LLP

(**) Term: **14 Years**

(57) **CLAIM**

(21) Appl. No.: **29/094,125**

The ornamental design for a personal cooling device, as
shown.

(22) Filed: **Sep. 25, 1998**

(51) **LOC (7) Cl.** **23-04**

DESCRIPTION

(52) **U.S. Cl.** **D23/351; D24/206**

FIG. 1 is a front perspective view of a personal cooling
device showing my new design;
FIG. 2 is a rear perspective view thereof;
FIG. 3 is a side elevation view of one side thereof;
FIG. 4 is a side elevation view of one side thereof;
FIG. 5 is a rear elevation view thereof;
FIG. 6 is a side elevation view of the other side thereof;
FIG. 7 is a top plan view thereof; and,
FIG. 8 is a bottom plan view thereof.

(58) **Field of Search** D23/314, 333,
D23/351, 332; D24/206, 207; 607/109,
112; 62/259.3, 314

(56) **References Cited**

U.S. PATENT DOCUMENTS

D. 328,792 * 8/1992 Salmon et al. D24/207
1,616,961 * 2/1927 Carter .
1,964,655 * 6/1934 Williamson .

1 Claim, 4 Drawing Sheets



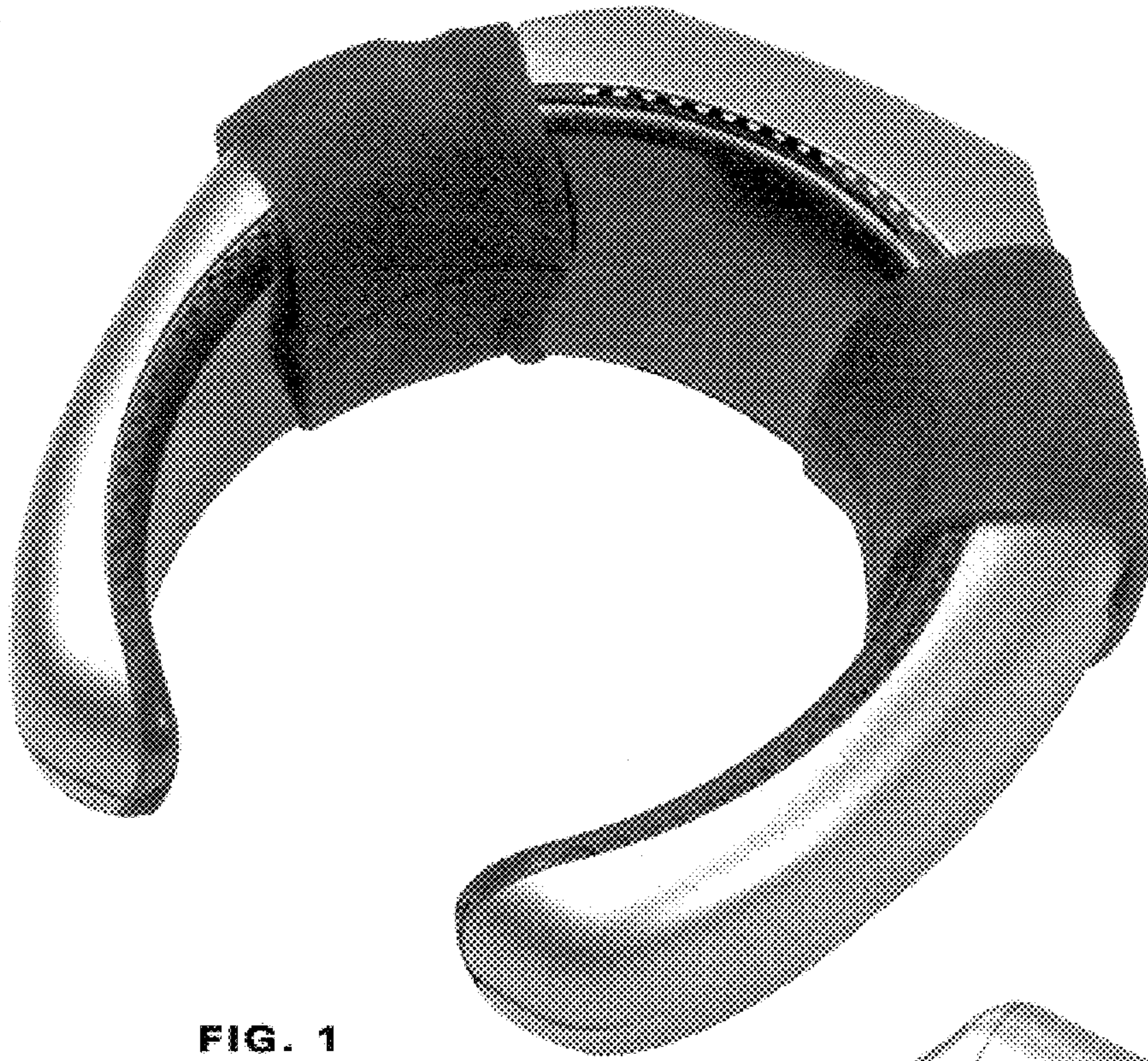


FIG. 1

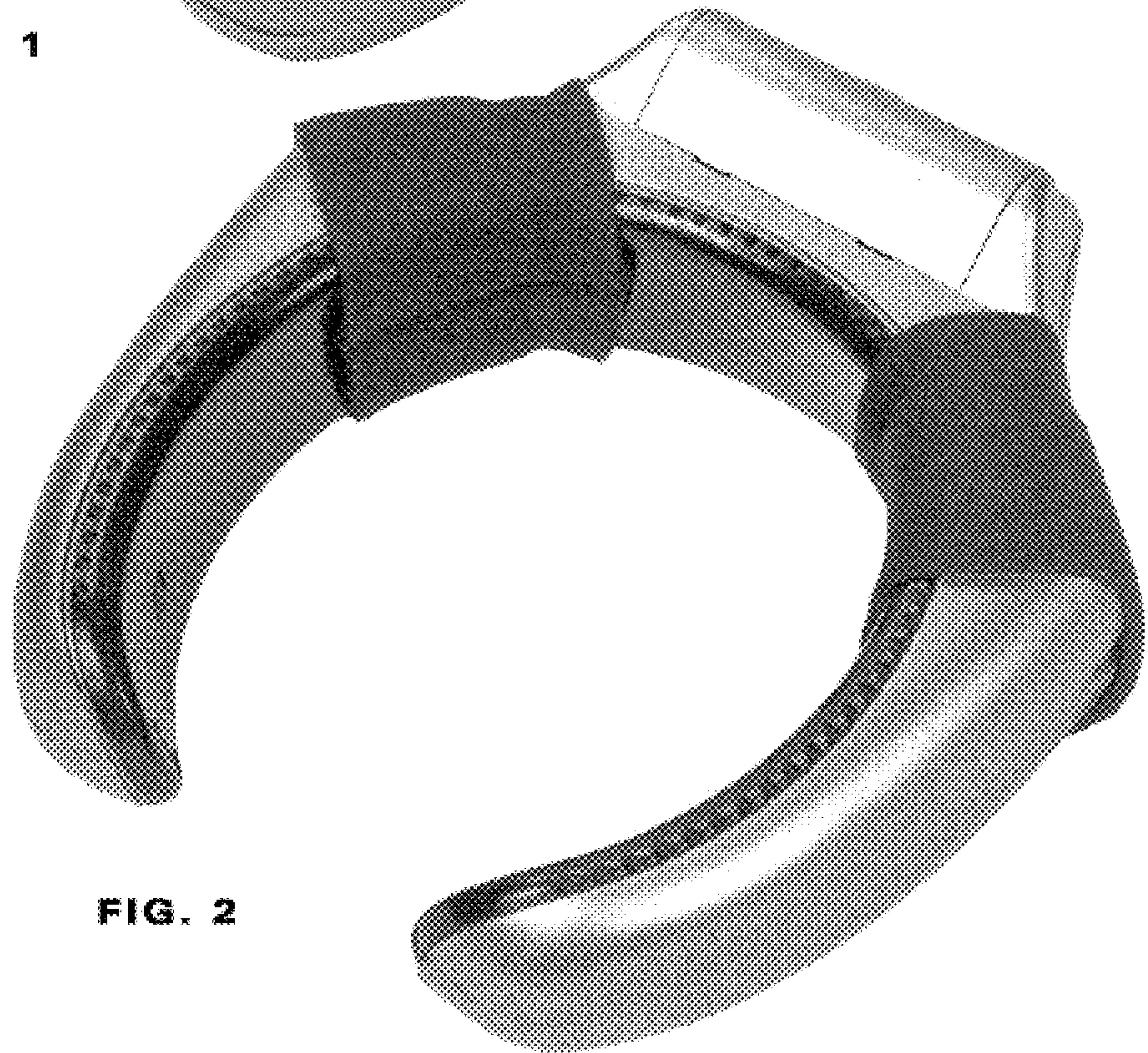


FIG. 2

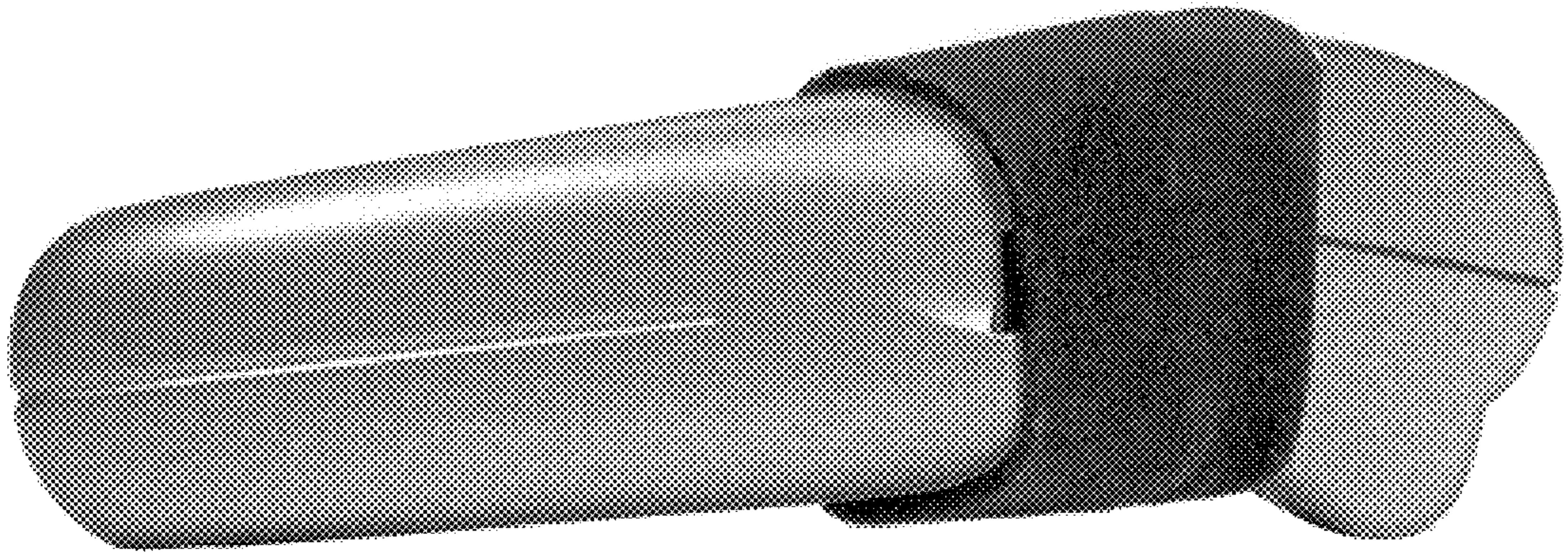


FIG. 3

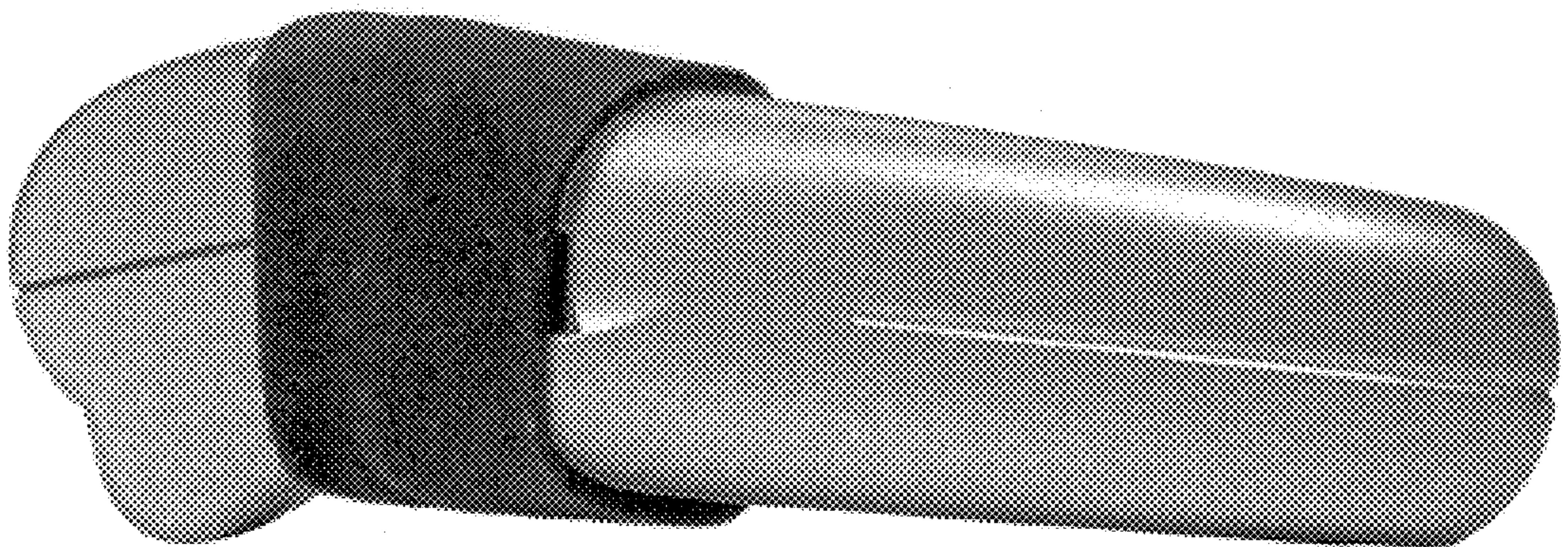


FIG. 4

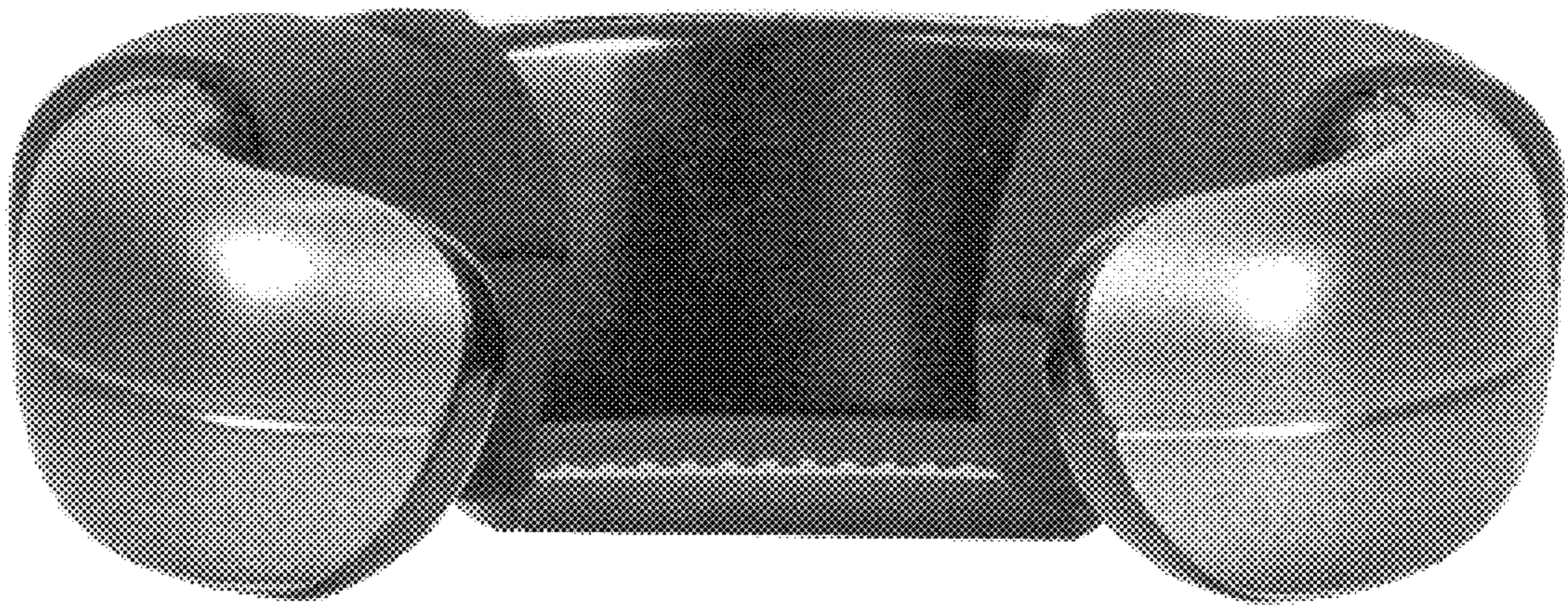


FIG. 5

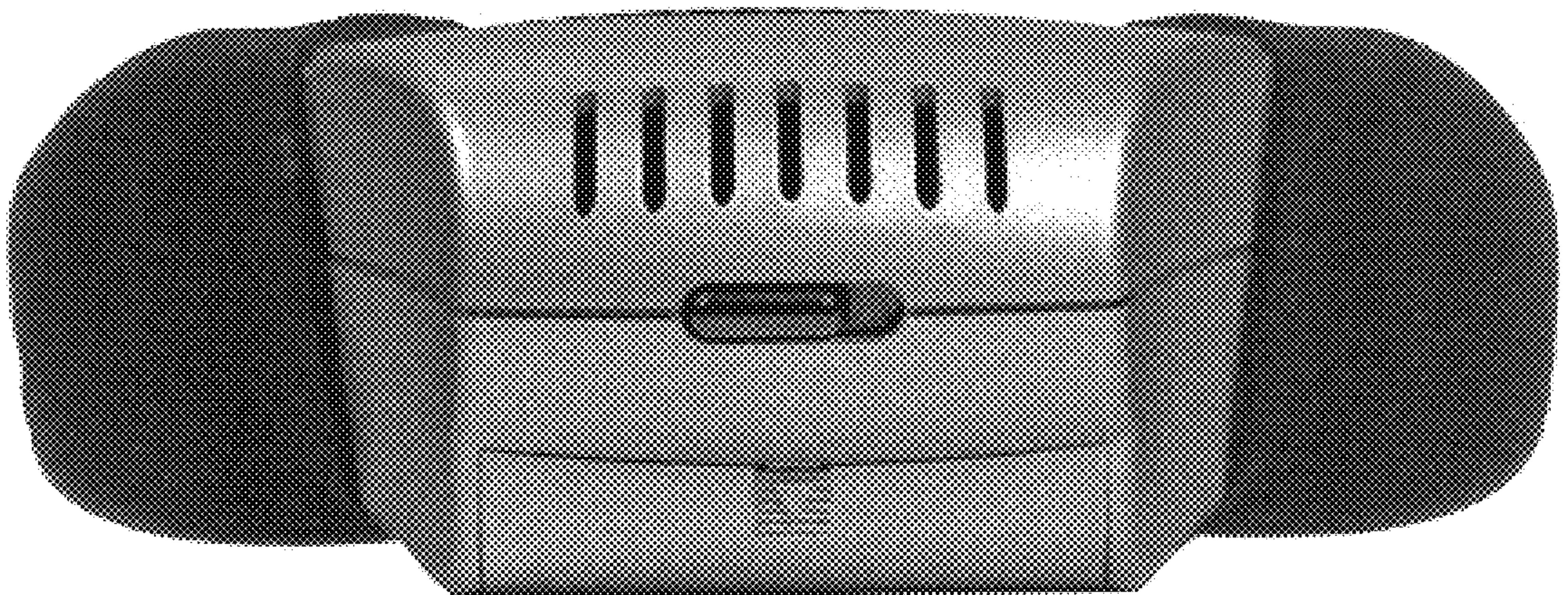


FIG. 6

FIG. 7

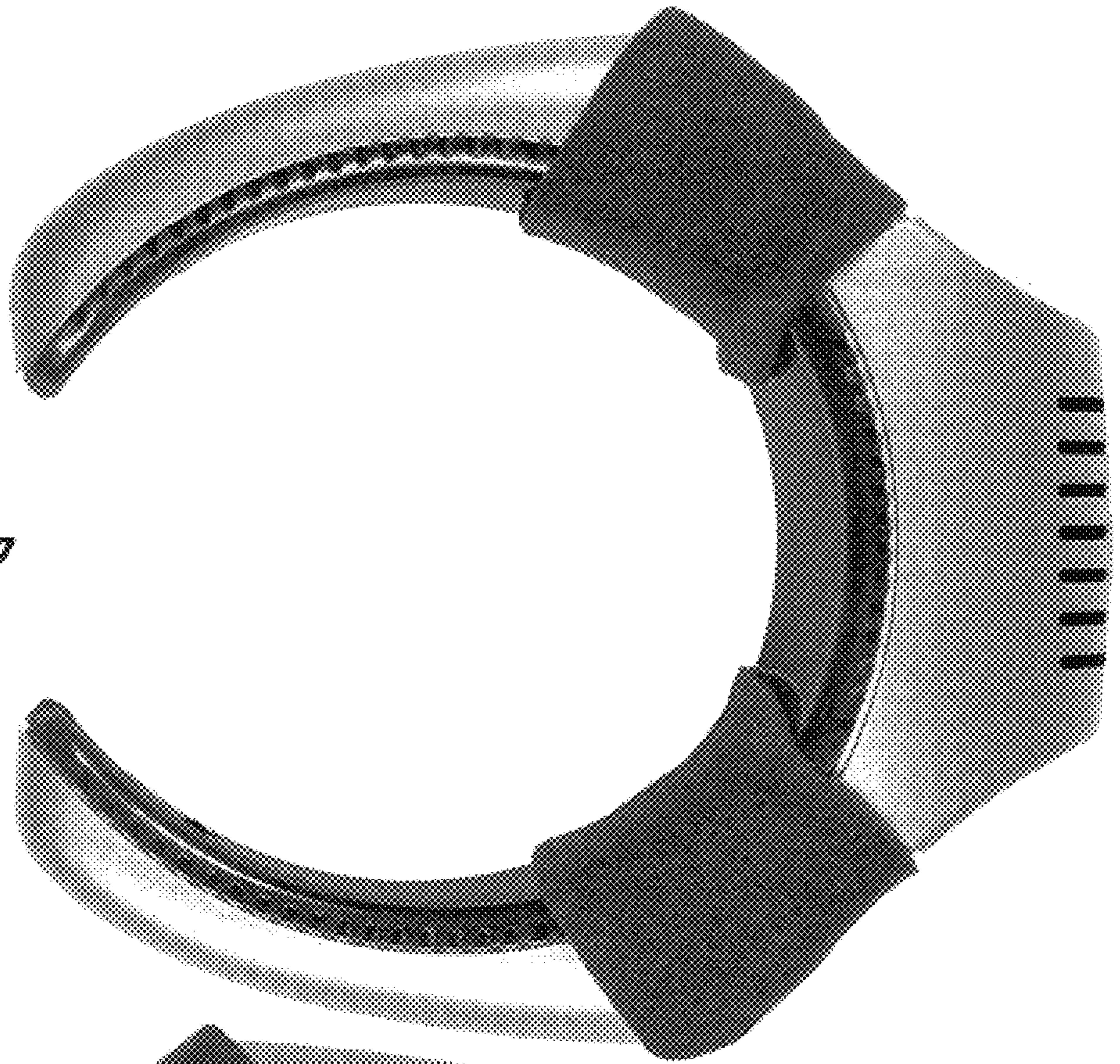


FIG. 8

