



US00D442268S

(12) **United States Design Patent**  
**Weiss**

(10) **Patent No.:** **US D442,268 S**

(45) **Date of Patent:** **\*\* May 15, 2001**

(54) **DISTRESSED FIREPOT**

(75) Inventor: **Jeffrey A. Weiss**, McMurray, PA (US),  
Barbara Weiss, executrix

(73) Assignee: **Castmaster International, Inc.**,  
Coraopolis, PA (US)

(\*\*) Term: **14 Years**

(21) Appl. No.: **29/126,268**

(22) Filed: **Jul. 12, 2000**

(51) **LOC (7) Cl.** ..... **23-03**

(52) **U.S. Cl.** ..... **D23/348**

(58) **Field of Search** ..... D23/348, 342,  
D23/350; 126/502, 517, 521, 531, 9 R

(56) **References Cited**

**U.S. PATENT DOCUMENTS**

- D. 202,957 \* 11/1965 Tripp .
- D. 237,083 \* 10/1975 Chese .
- D. 256,580 \* 8/1980 Johnson .
- D. 263,620 \* 3/1982 Otero et al. .
- 4,252,105 \* 2/1981 Johnson .

\* cited by examiner

*Primary Examiner*—B. J. Bullock

(74) *Attorney, Agent, or Firm*—David C. Jenkins; Eckert  
Seamans Cherin & Mellott, LLC

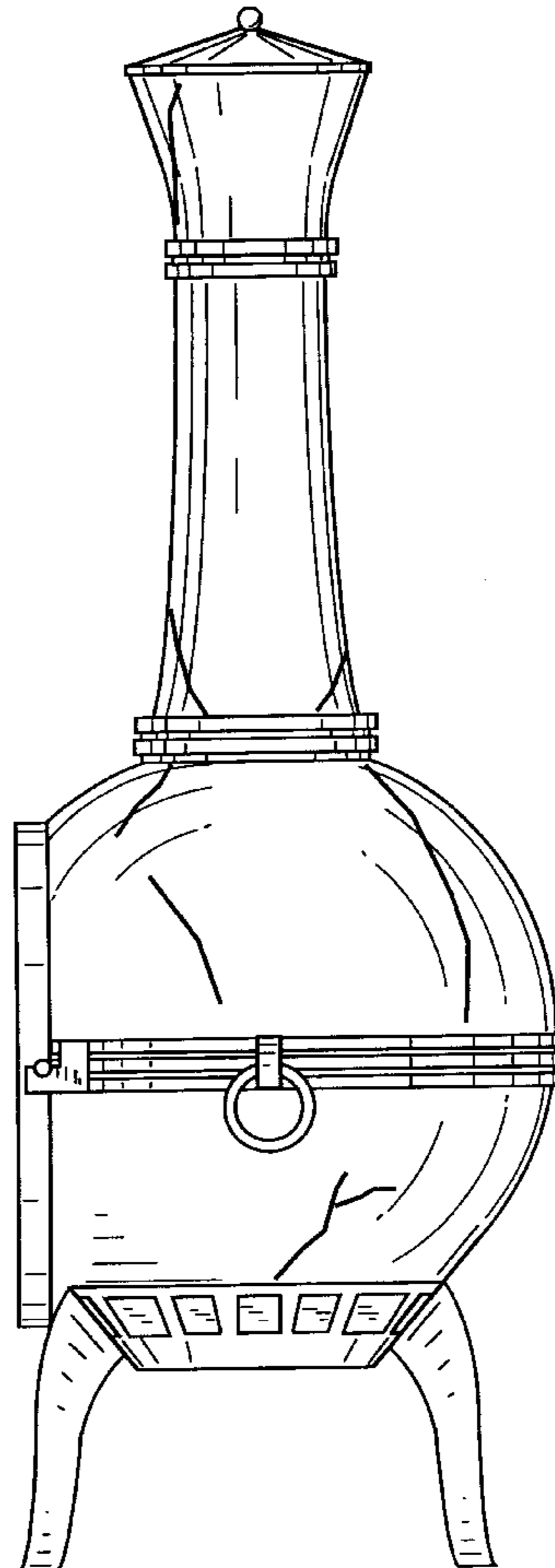
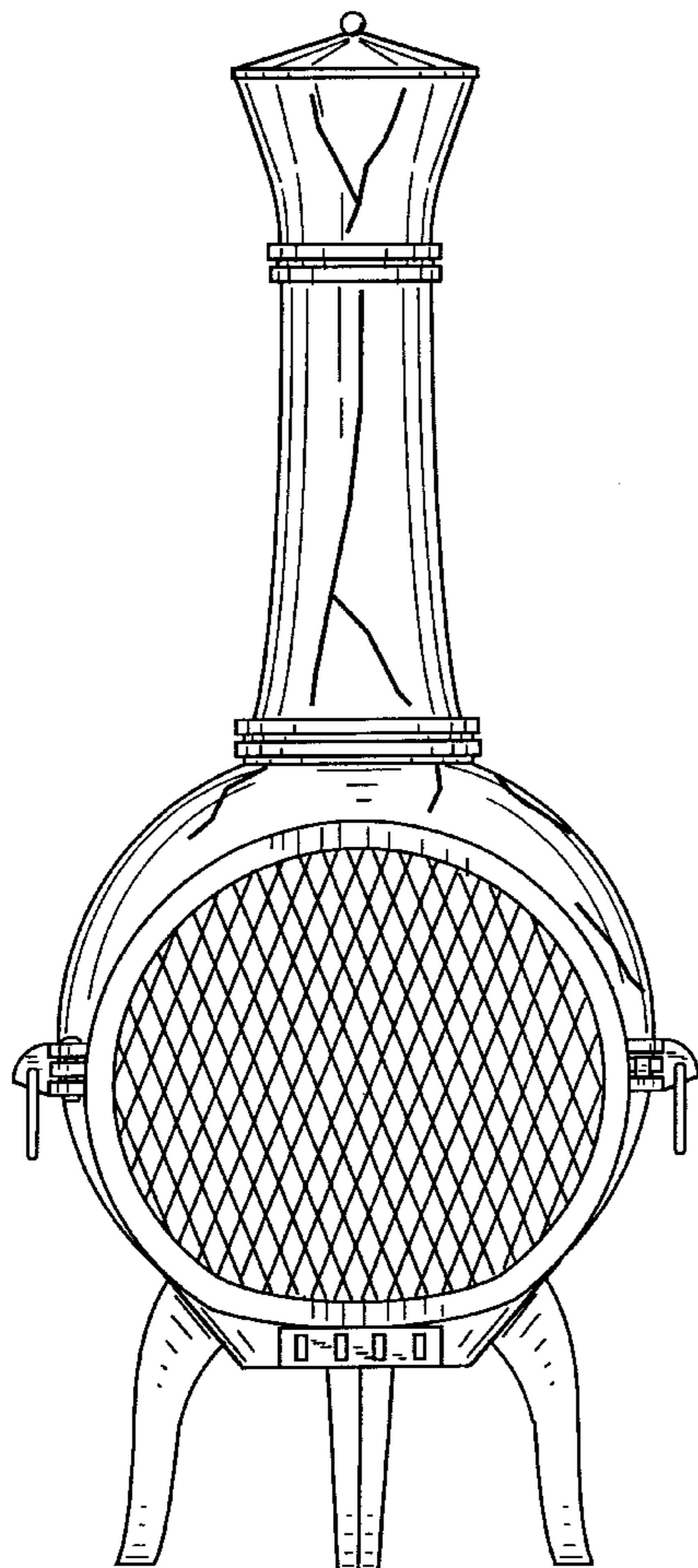
(57) **CLAIM**

The ornamental design for a distressed firepot, as shown and described.

**DESCRIPTION**

FIG. 1 is a front elevational view of a distressed firepot.  
 FIG. 2 is a rear elevational view of the distressed firepot of FIG. 1.  
 FIG. 3 is a left side elevational view of the distressed firepot on FIG. 1.  
 FIG. 4 is a right side elevational view of the distressed firepot of FIG. 1.  
 FIG. 5 is top plan view of the distressed firepot of FIG. 1.  
 FIG. 6 is a bottom plan view of the distressed firepot of FIG. 1; and,  
 FIG. 7 is a front elevational view of a second embodiment of a distressed firepot of FIG. 1, the only difference residing in the grill.

**1 Claim, 6 Drawing Sheets**



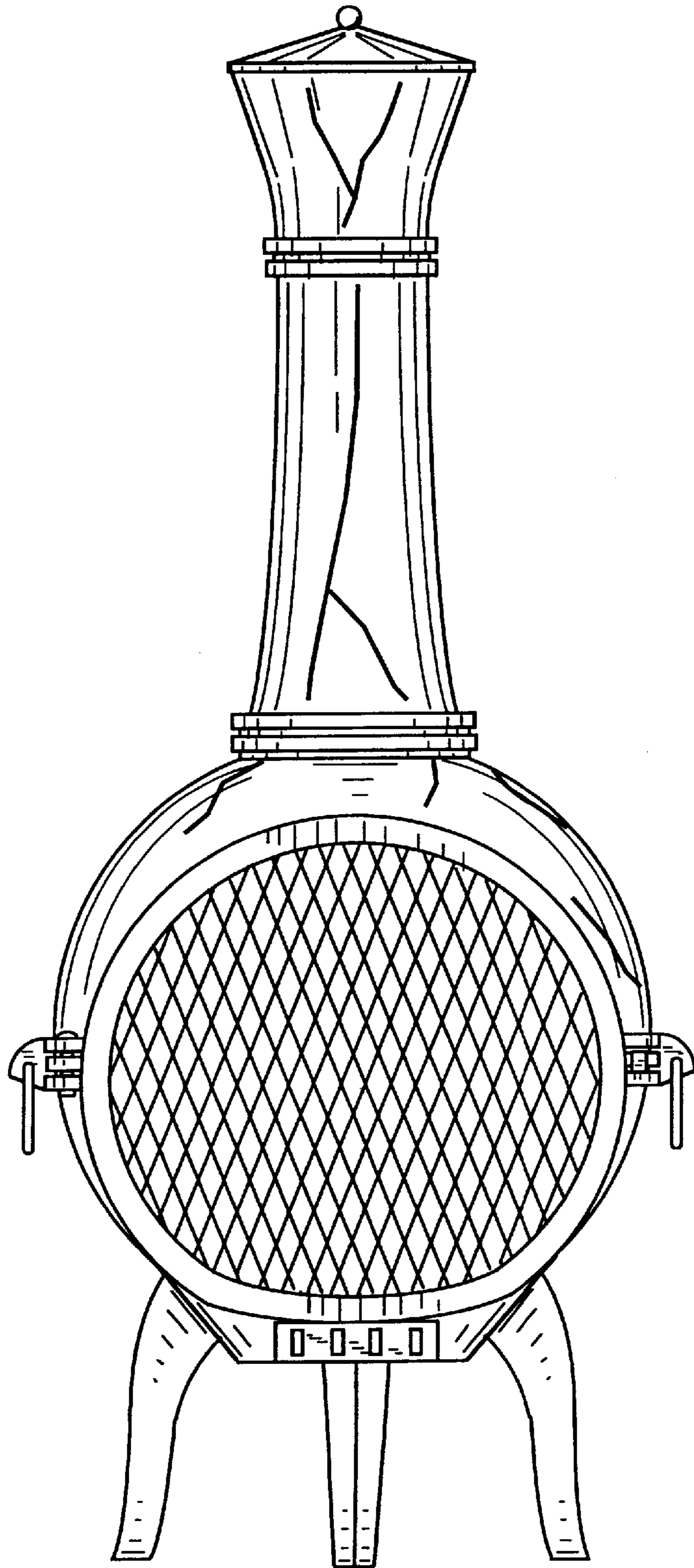


FIG. 1

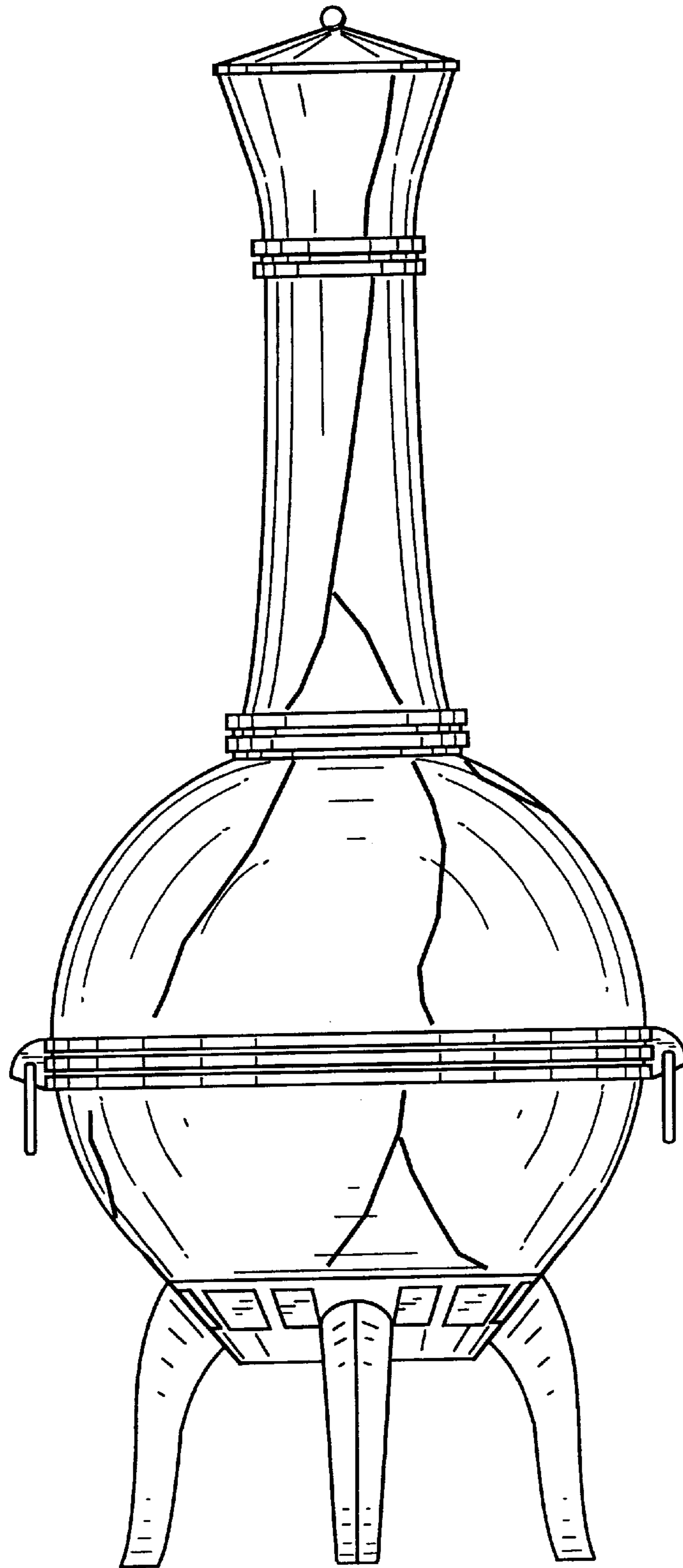


FIG. 2

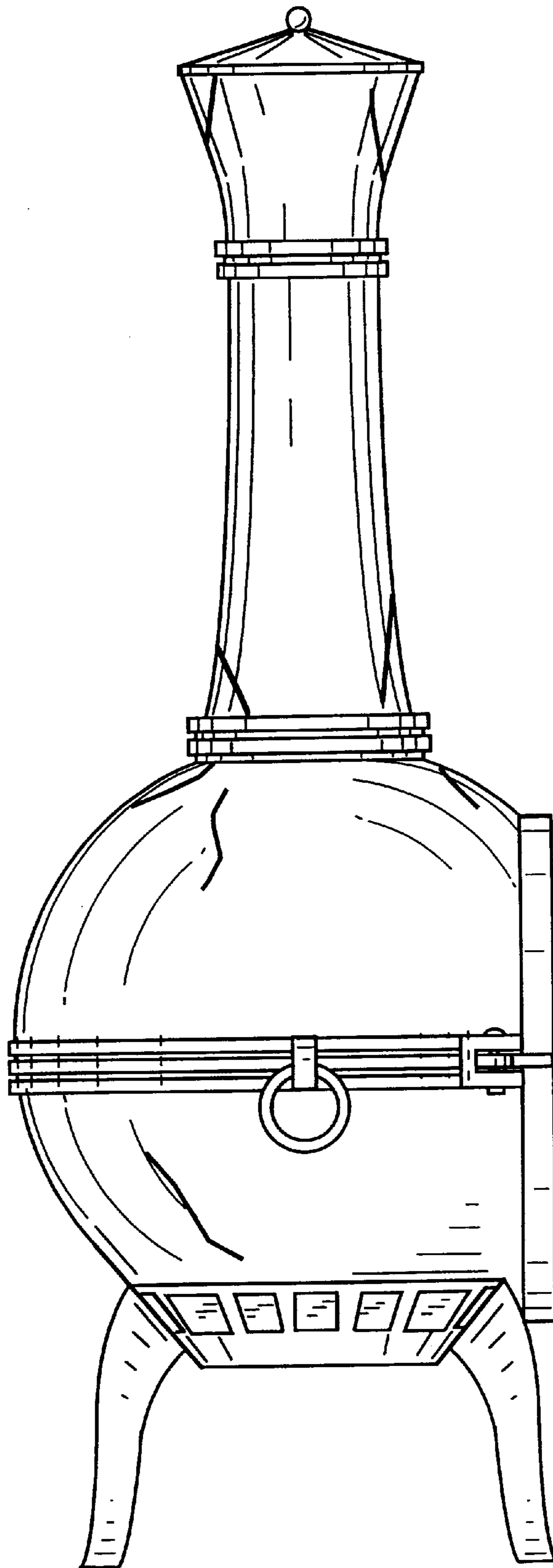


FIG. 3

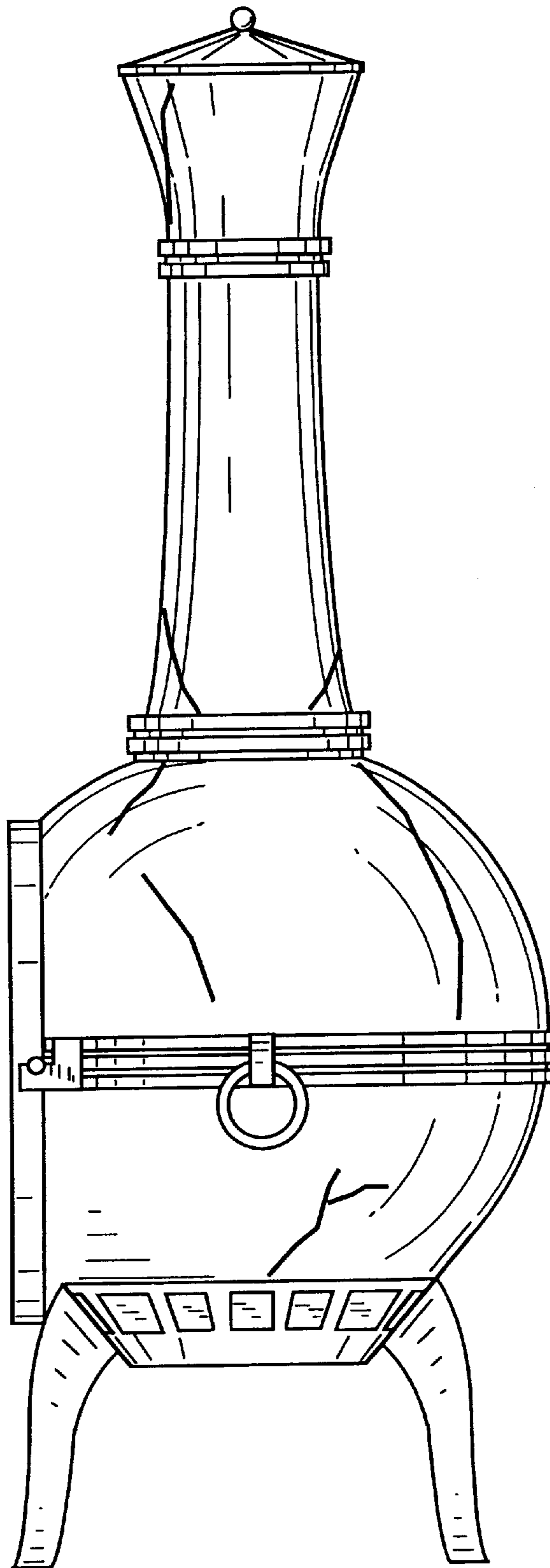


FIG. 4



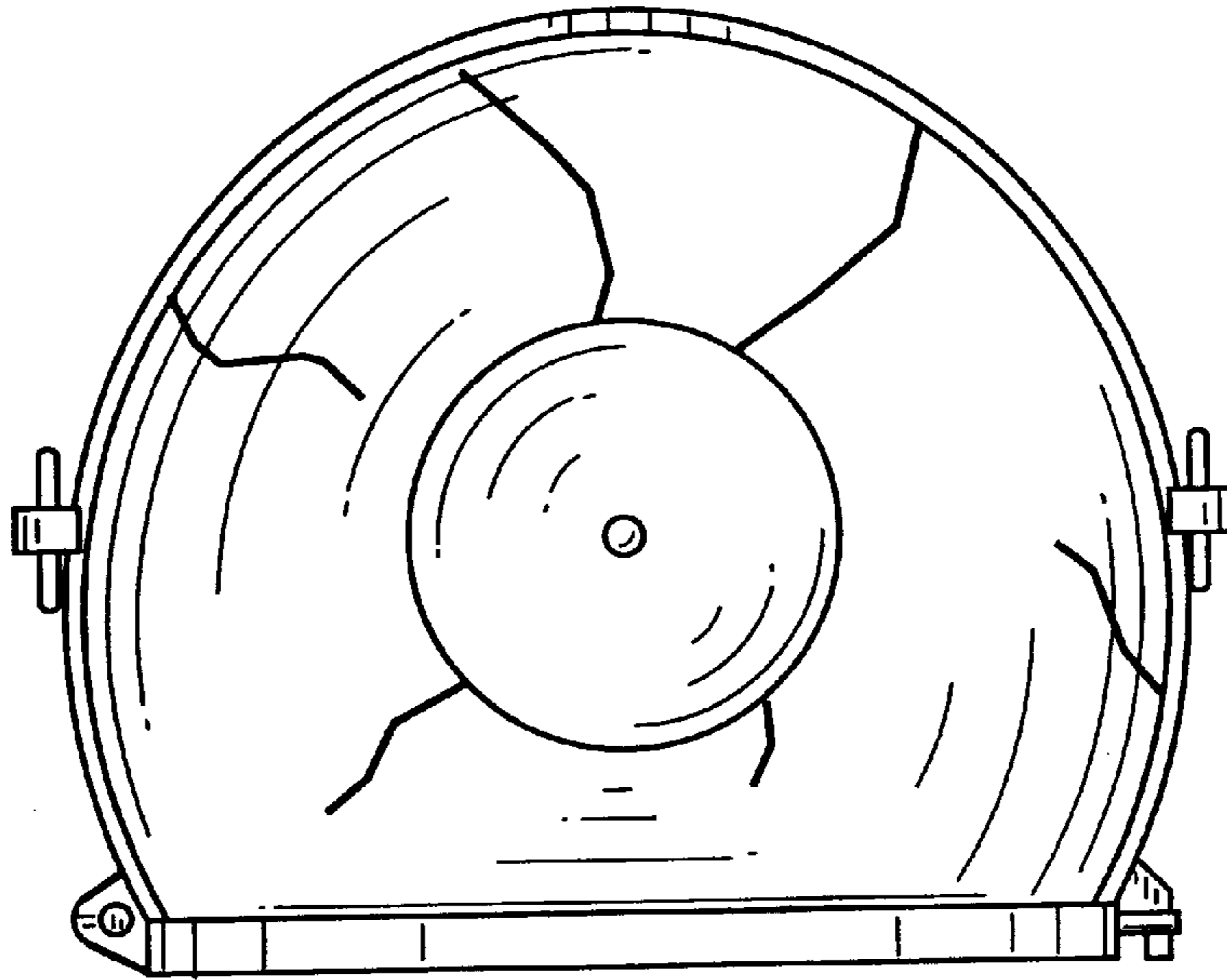


FIG. 5

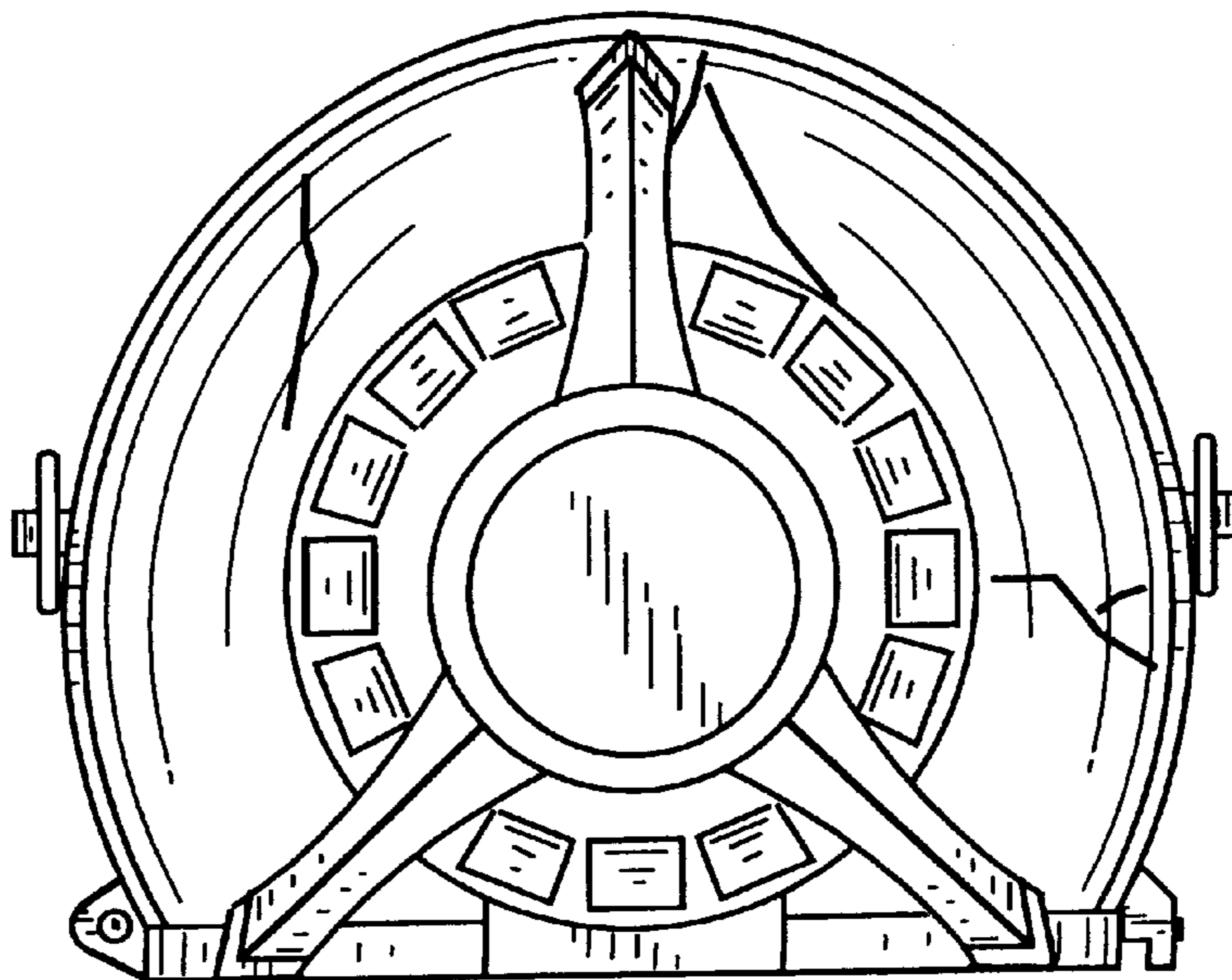


FIG. 6

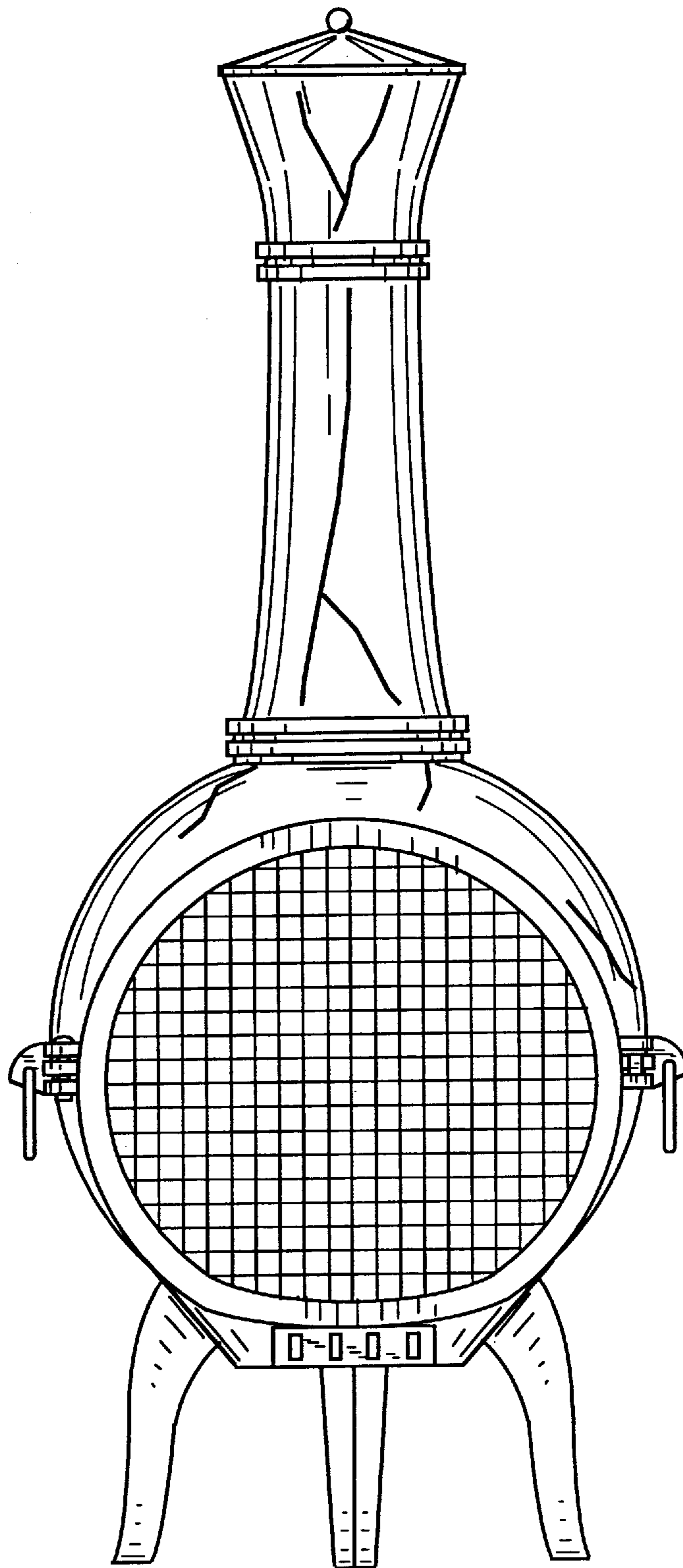


FIG. 7