



US00D442267S

(12) **United States Design Patent**
Kouda

(10) **Patent No.:** **US D442,267 S**

(45) **Date of Patent:** **** May 15, 2001**

(54) **PIPE COUPLING SOCKET**

(75) Inventor: **Toru Kouda**, Tokyo (JP)

(73) Assignee: **Nitto Kohki Co., Ltd.**, Tokyo (JP)

(**) Term: **14 Years**

(21) Appl. No.: **29/129,411**

(22) Filed: **Sep. 15, 2000**

(51) **LOC (7) Cl.** **23-01**

(52) **U.S. Cl.** **D23/262; D23/233**

(58) **Field of Search** **D23/233-6, 262;**
285/275, 277, 83; 137/614.04, 149.6

(56) **References Cited**

U.S. PATENT DOCUMENTS

D. 333,511	*	2/1993	Mikiya et al.	D23/262
D. 406,881	*	3/1999	Kuwabara	D23/262
D. 412,738	*	8/1999	Kuwabara	D23/233
D. 413,967	*	9/1999	Yuen	D23/262
3,423,063		1/1969	German	.	
6,129,334	*	10/2000	Kuwabara	251/149.1

* cited by examiner

Primary Examiner—Robin V. Taylor

(74) *Attorney, Agent, or Firm*—Wenderoth, Lind & Ponack, L.L.P.

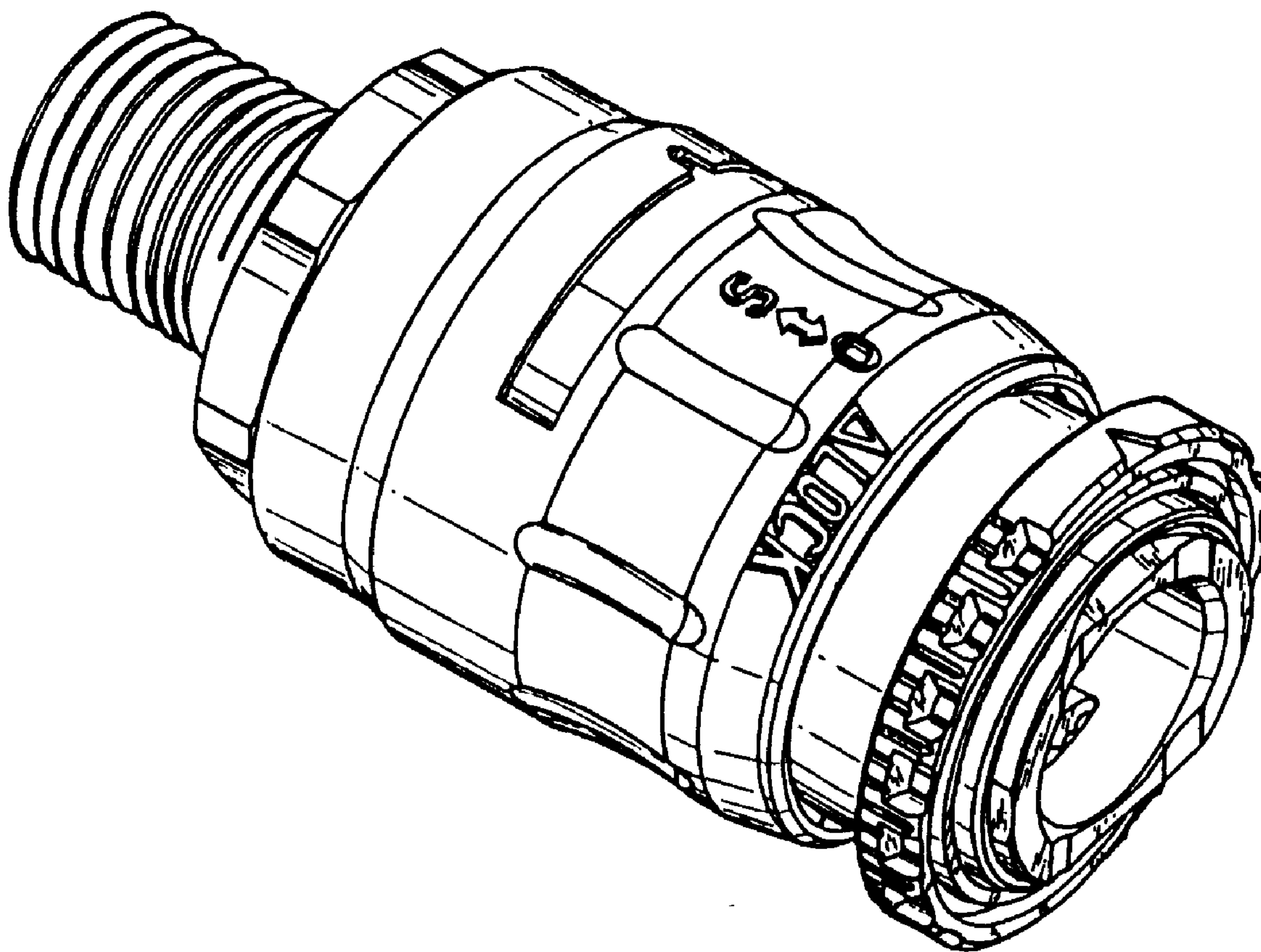
(57) **CLAIM**

The ornamental design for pipe coupling socket, as shown and described.

DESCRIPTION

FIG. 1 is a perspective view taken from the top, front and left side of a pipe coupling socket showing my new design; FIG. 2 is a front elevational view thereof; FIG. 3 is a top plan view thereof; FIG. 4 is a bottom plan view thereof; FIG. 5 is a rear elevational view thereof; FIG. 6 is a left side elevational view thereof; FIG. 7 is a right side elevational view thereof; FIG. 8 is a front elevational view of a coupling socket in the state when plug is connected; FIG. 9 is a front elevational view of a coupling socket in the state when plug is connected and the outer sleeve is slid; and, FIG. 10 is a front elevational view of a coupling socket in the state when plug is connected and an inner sleeve is turned and the outer sleeve is locked. The broken line showing in FIGS. 8-10 is for illustrative purposes only and forms no part of the claimed design.

1 Claim, 3 Drawing Sheets



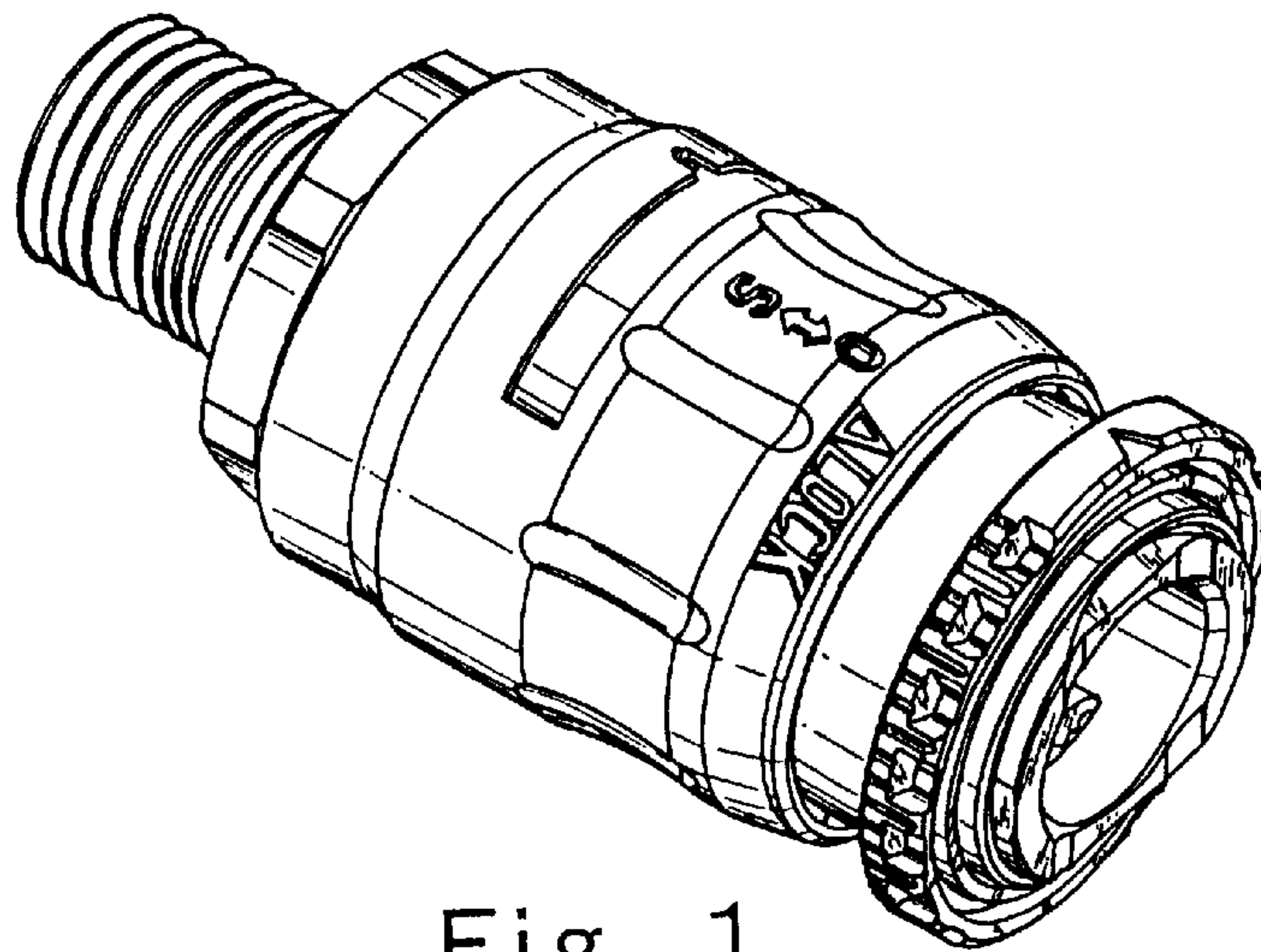


Fig. 1

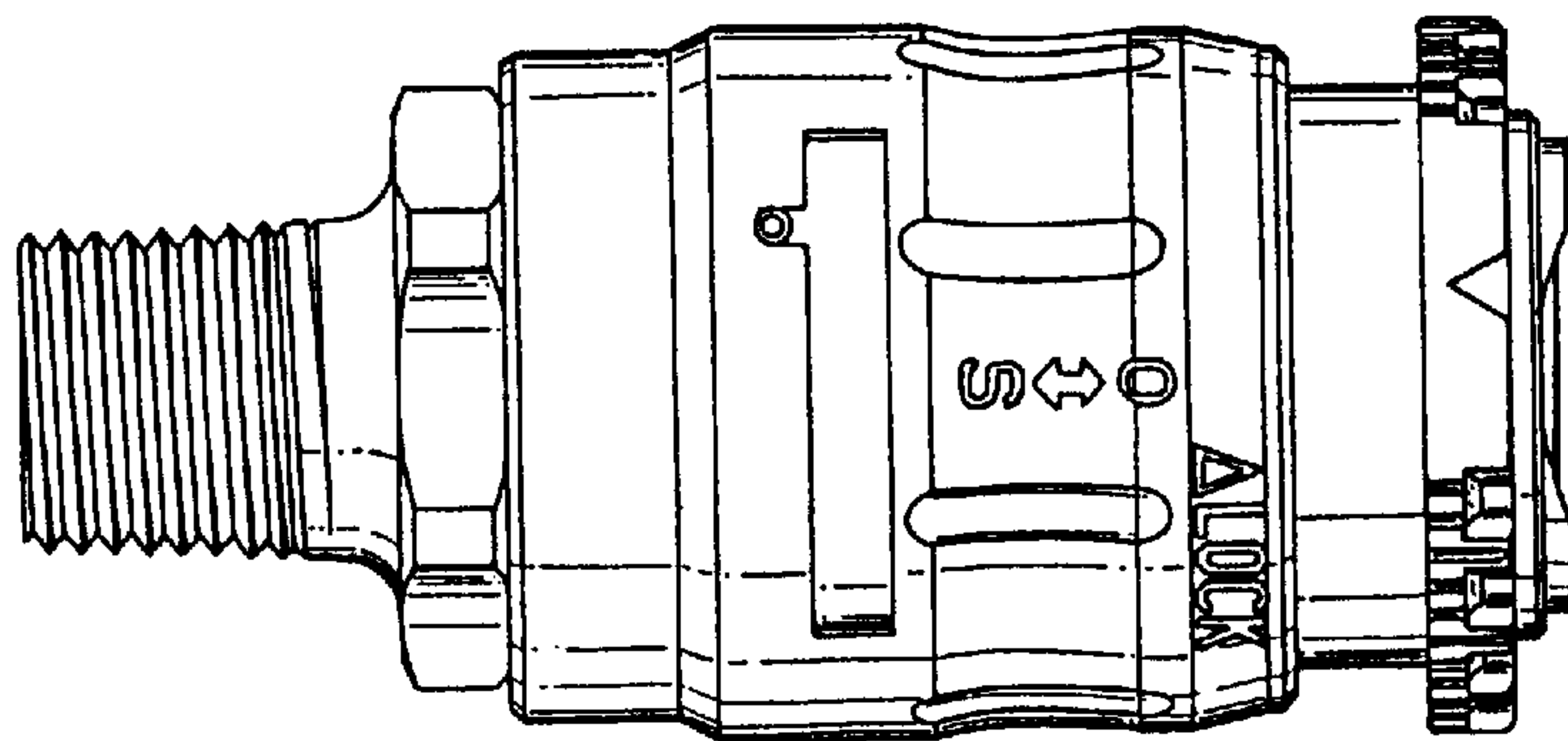


Fig. 2

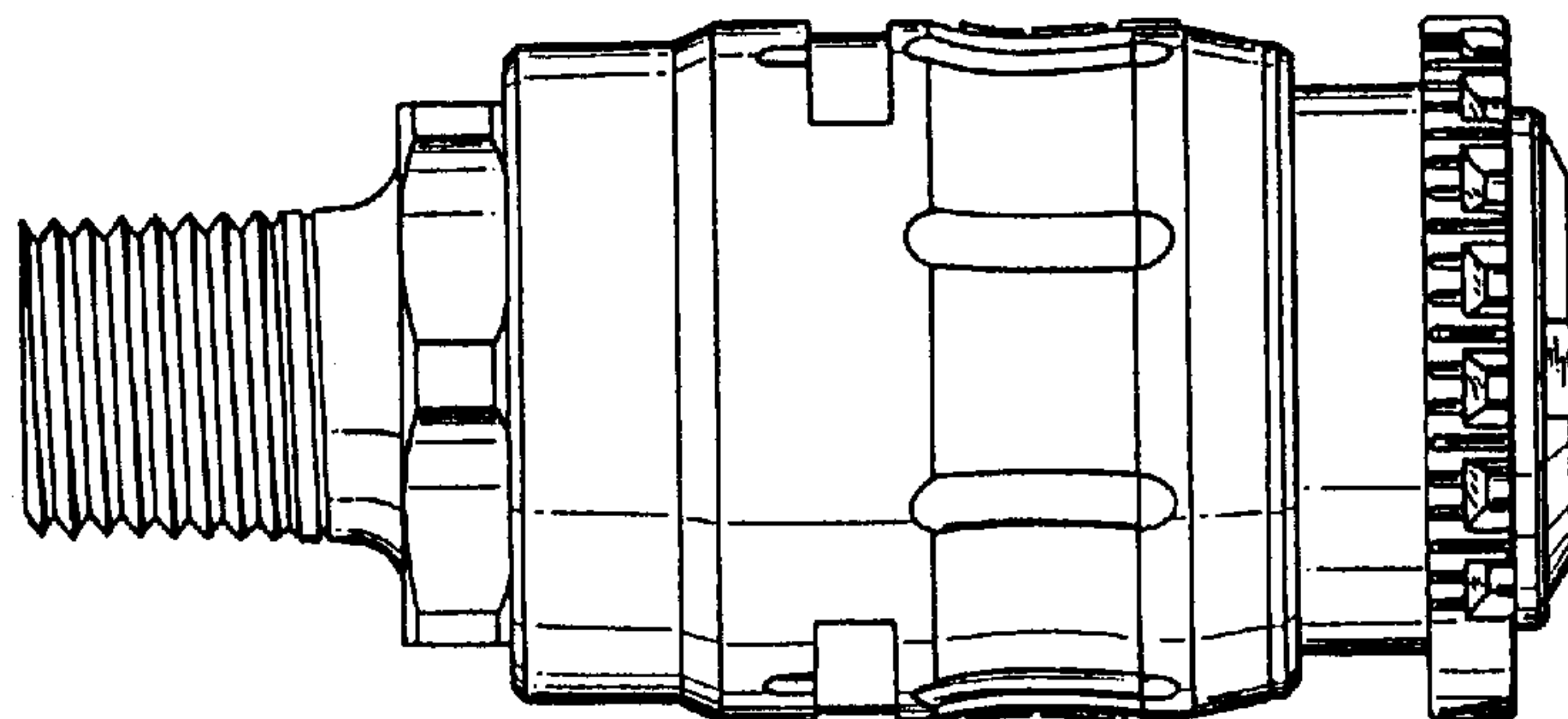


Fig. 3

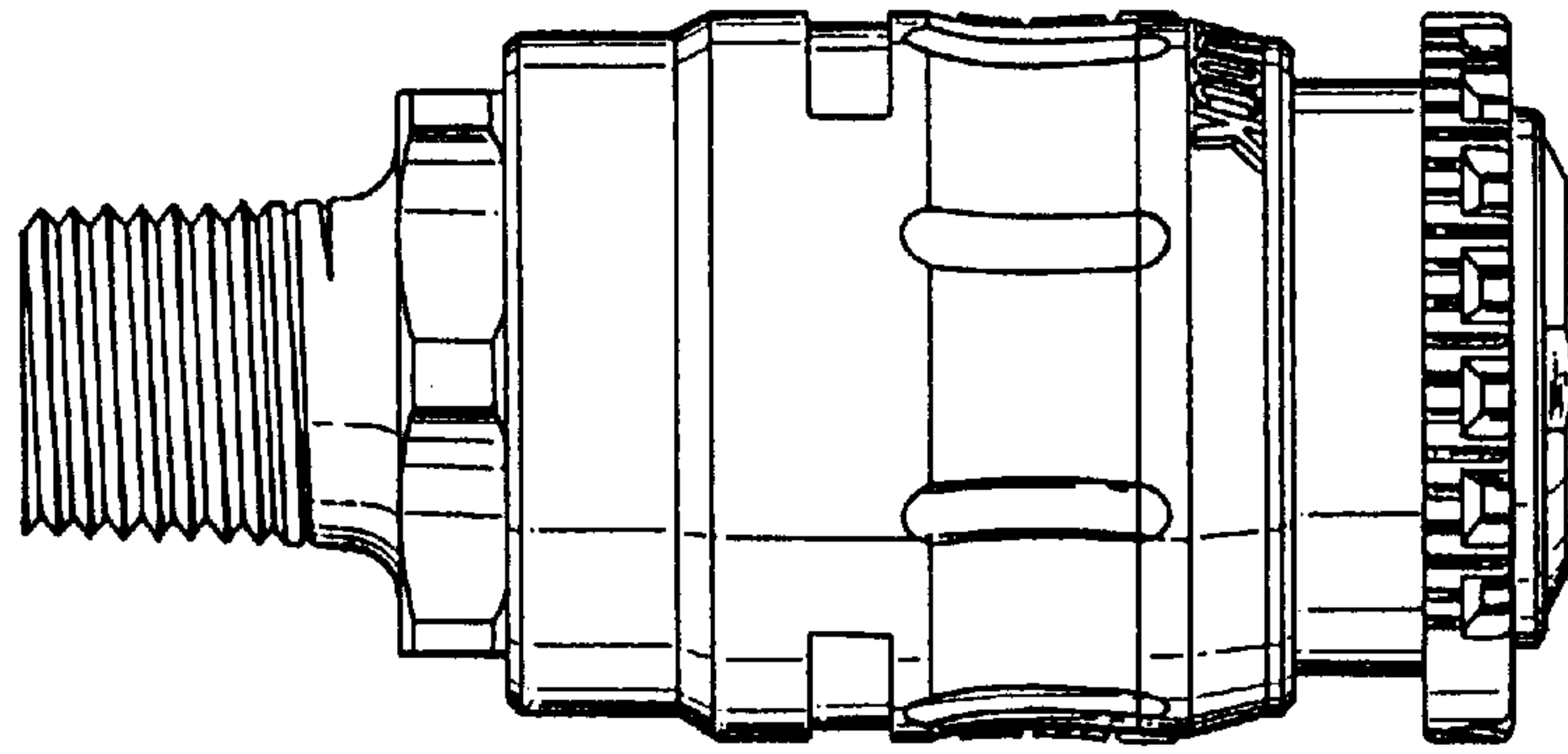


Fig. 4

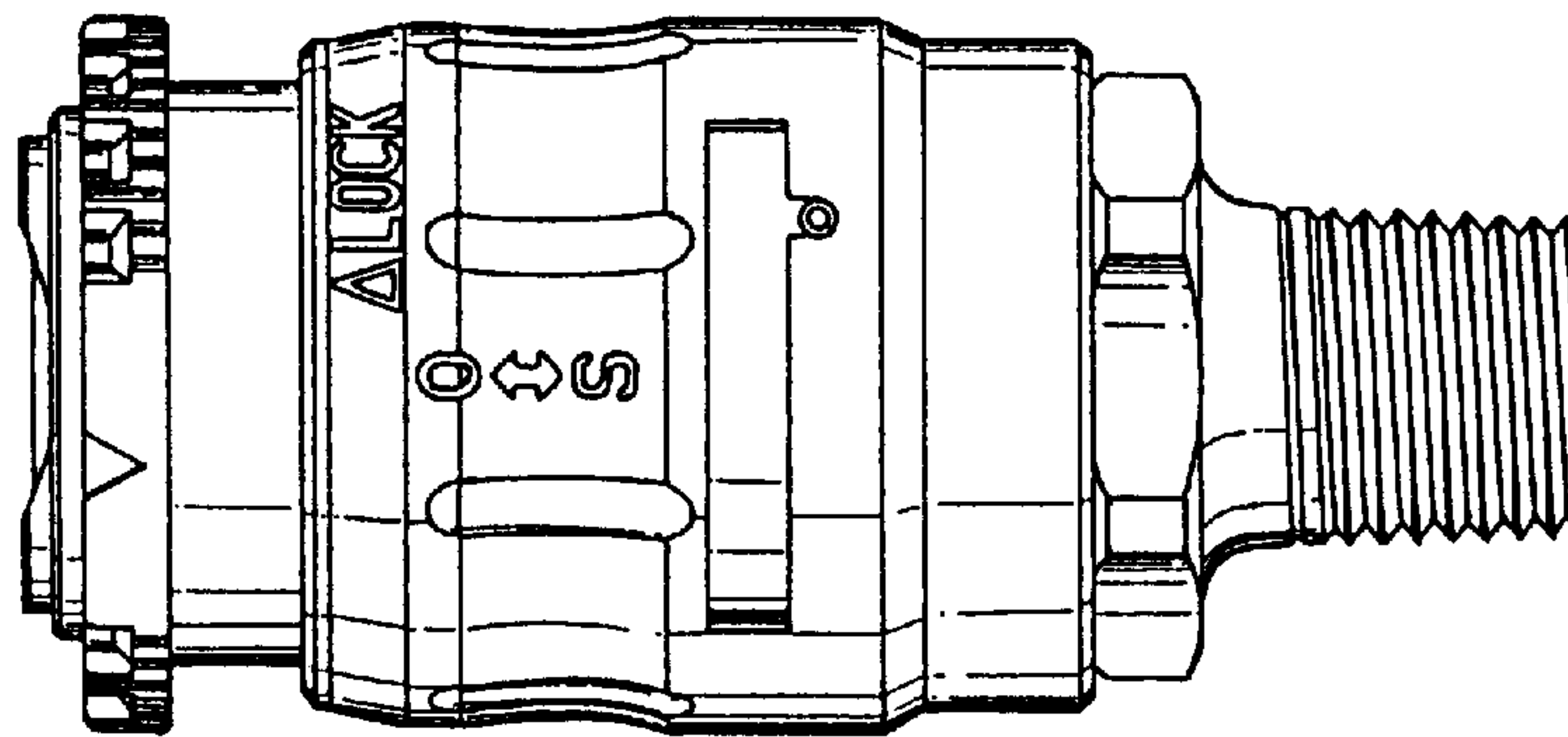


Fig. 5

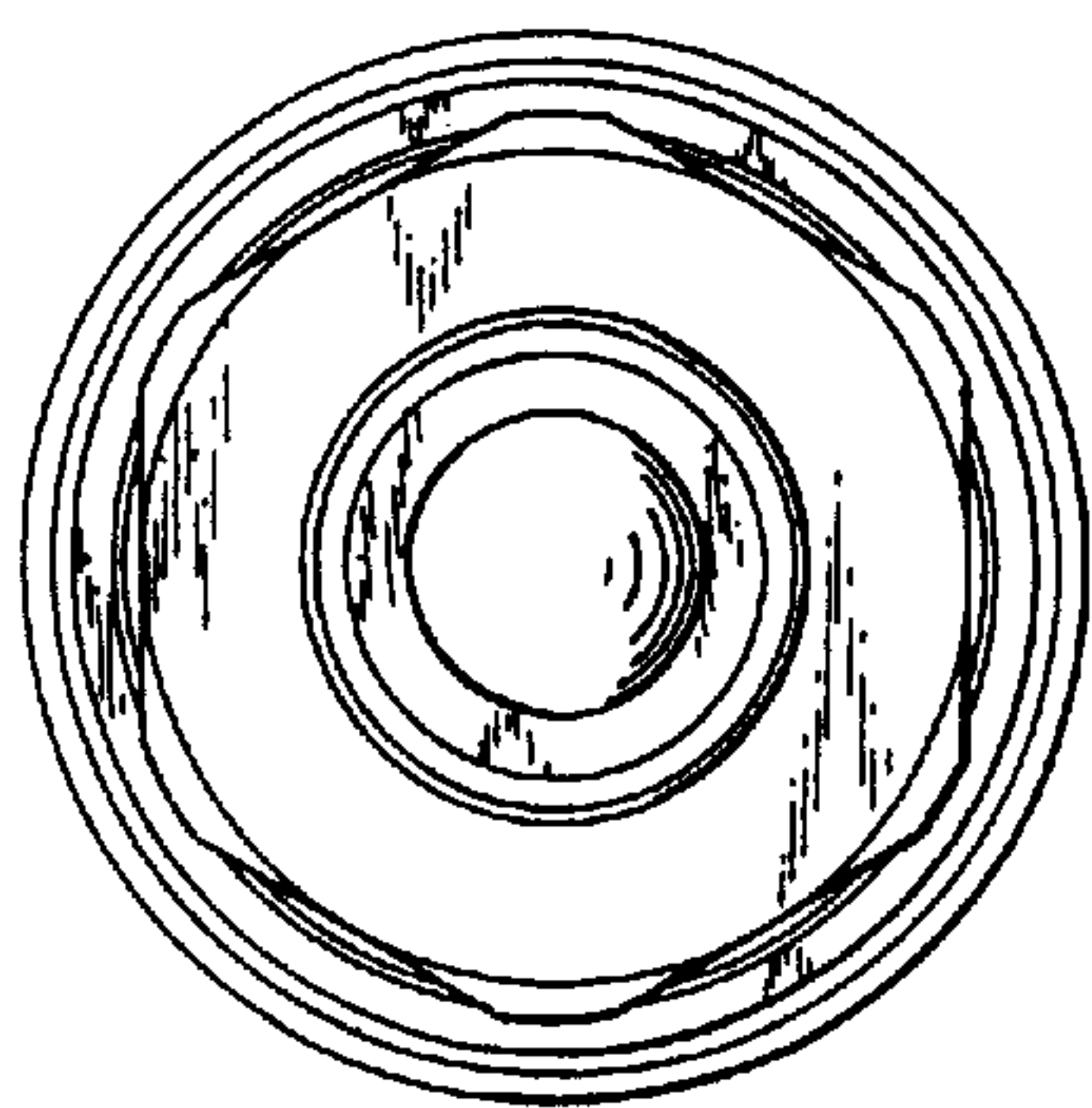


Fig. 6

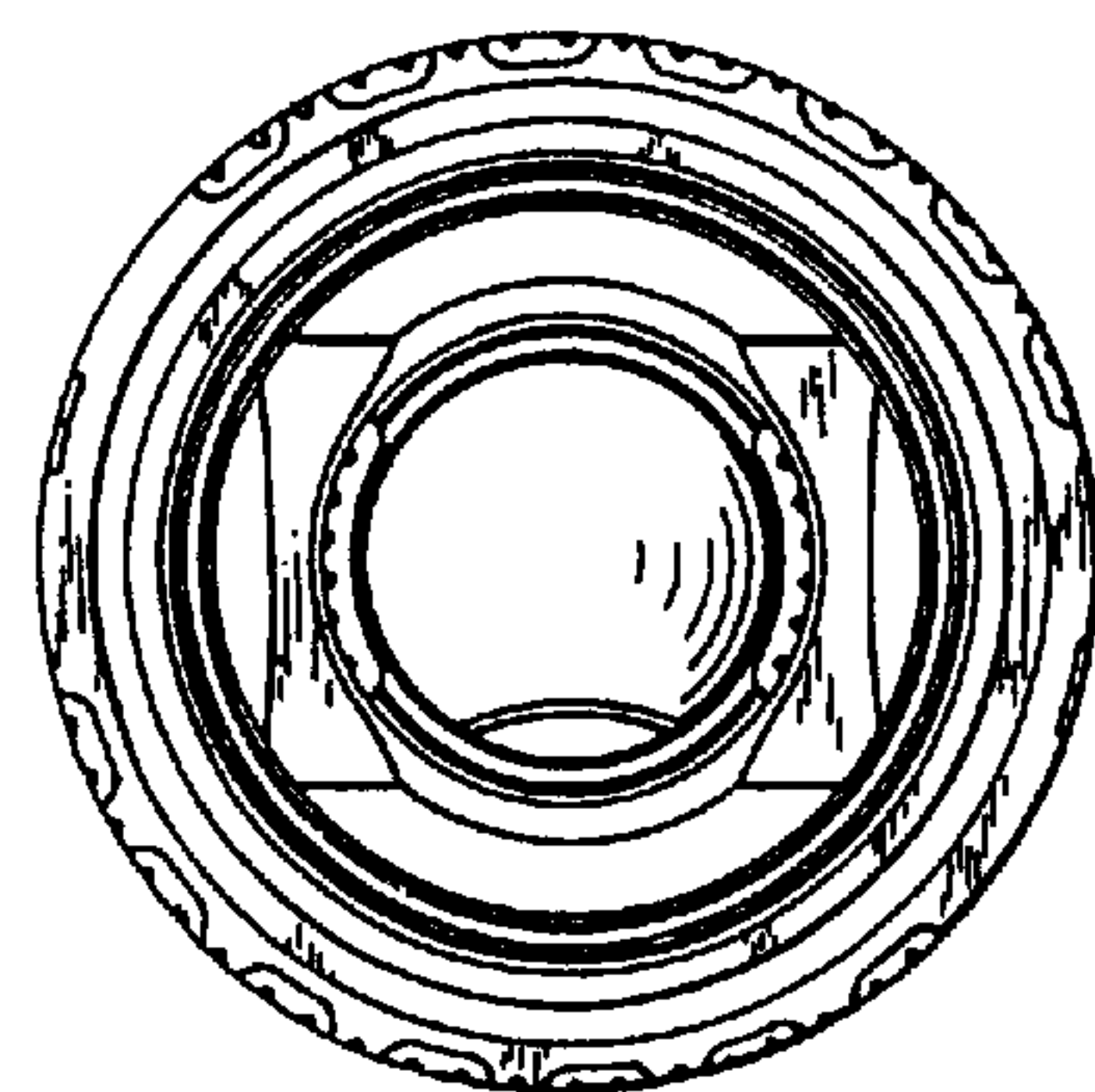


Fig. 7

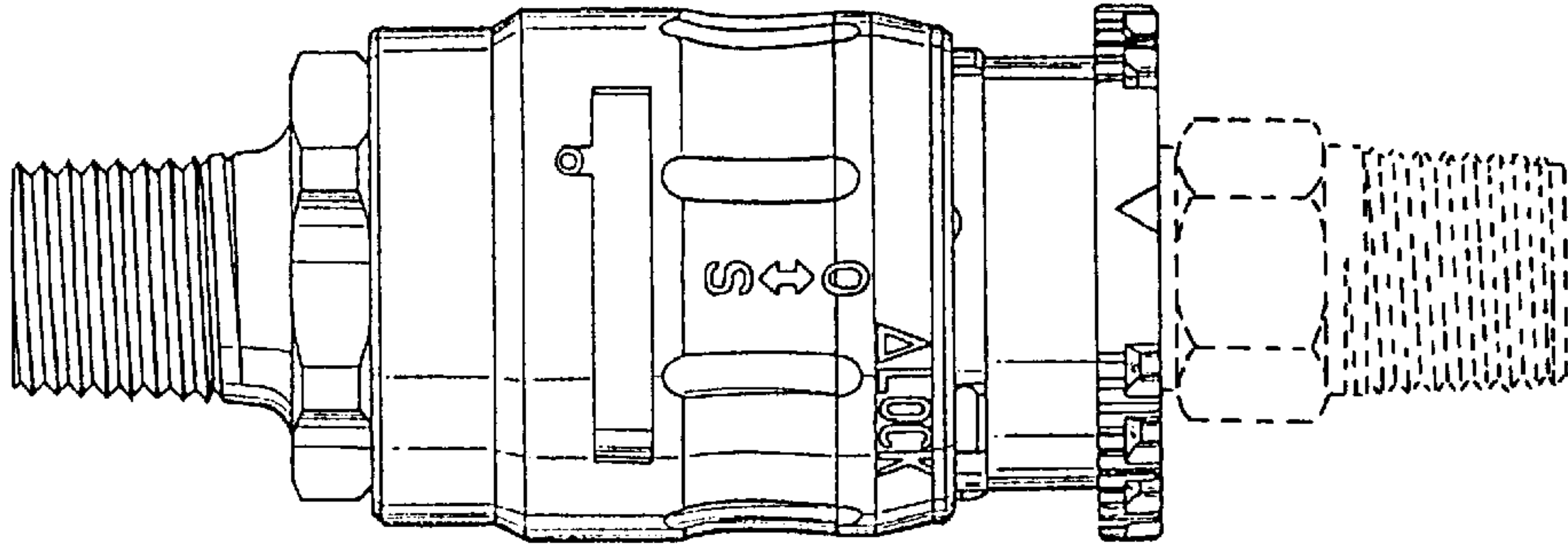


Fig. 8

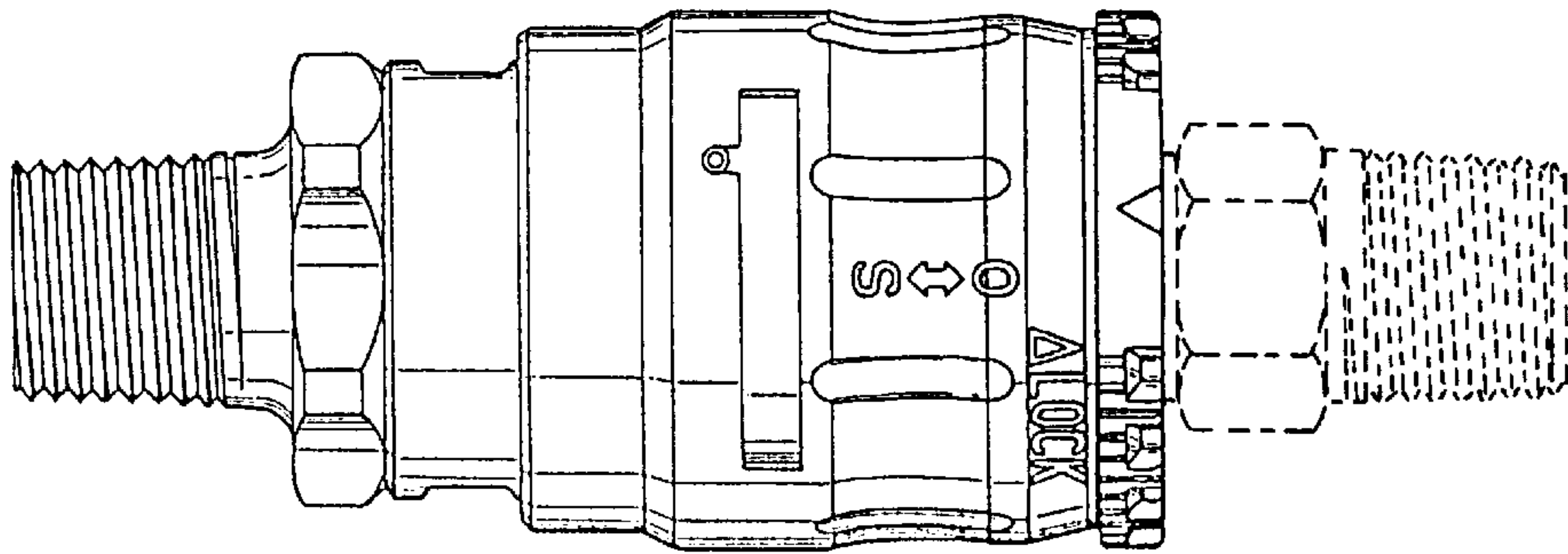


Fig. 9

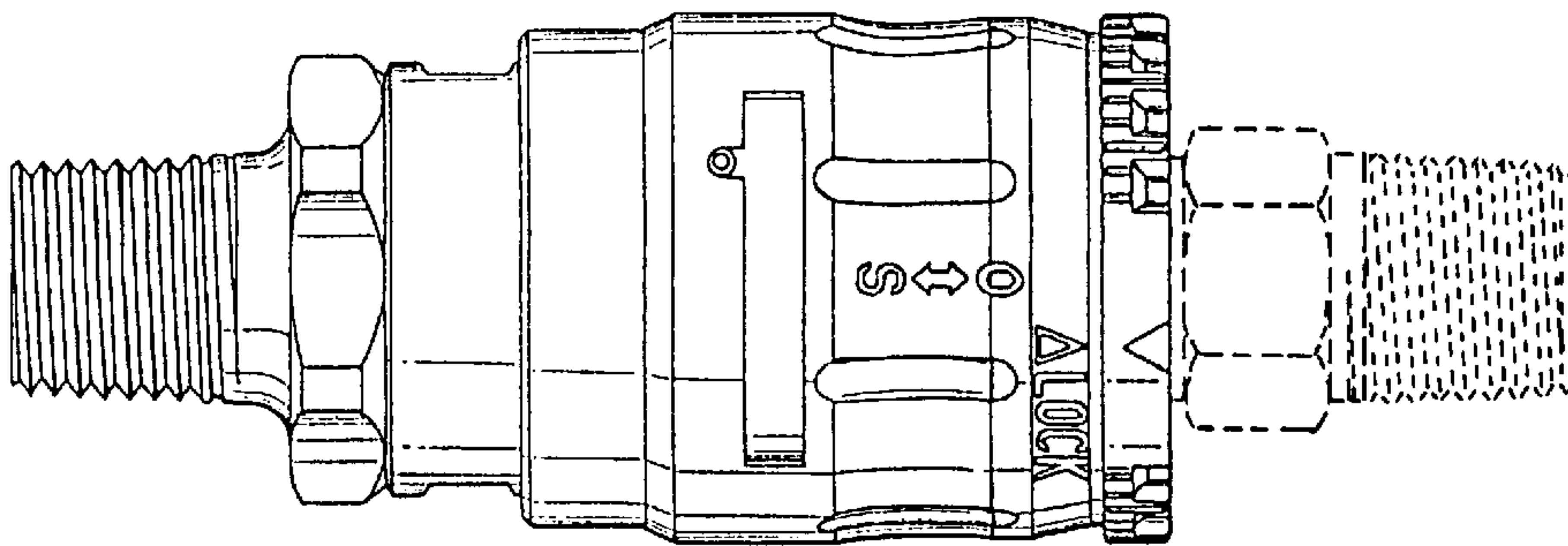


Fig. 10