



US00D442264S

(12) **United States Design Patent**  
**Müllenmeister**

(10) **Patent No.:** **US D442,264 S**

(45) **Date of Patent:** **\*\* May 15, 2001**

(54) **FAUCET LEVER**

(75) Inventor: **Daniel Müllenmeister**, Havixbeck (DE)

(73) Assignee: **Friedrich Grohe AG & Co. KG**,  
Hemer (DE)

(\*\*) Term: **14 Years**

(21) Appl. No.: **29/132,877**

(22) Filed: **Nov. 16, 2000**

(30) **Foreign Application Priority Data**

Jun. 22, 2000 (DE) ..... 4 00 05 887

(51) **LOC (7) Cl.** ..... **23-01**

(52) **U.S. Cl.** ..... **D23/252**

(58) **Field of Search** ..... D23/238-243,  
D23/245, 249-257; D8/300-310, 350-354;  
4/675-678; 16/110 R-121; 137/801

(56) **References Cited**

**U.S. PATENT DOCUMENTS**

D. 348,307 \* 6/1994 Gottwald ..... D23/252

D. 366,519 \* 1/1996 Lobermeier ..... D23/252  
D. 403,053 \* 12/1998 Biller et al. .... D23/252  
D. 410,737 \* 6/1999 Gottwald ..... D23/250

\* cited by examiner

*Primary Examiner*—Louis S. Zarfes  
*Assistant Examiner*—Gregory Andoll  
(74) *Attorney, Agent, or Firm*—Herbert Dubno

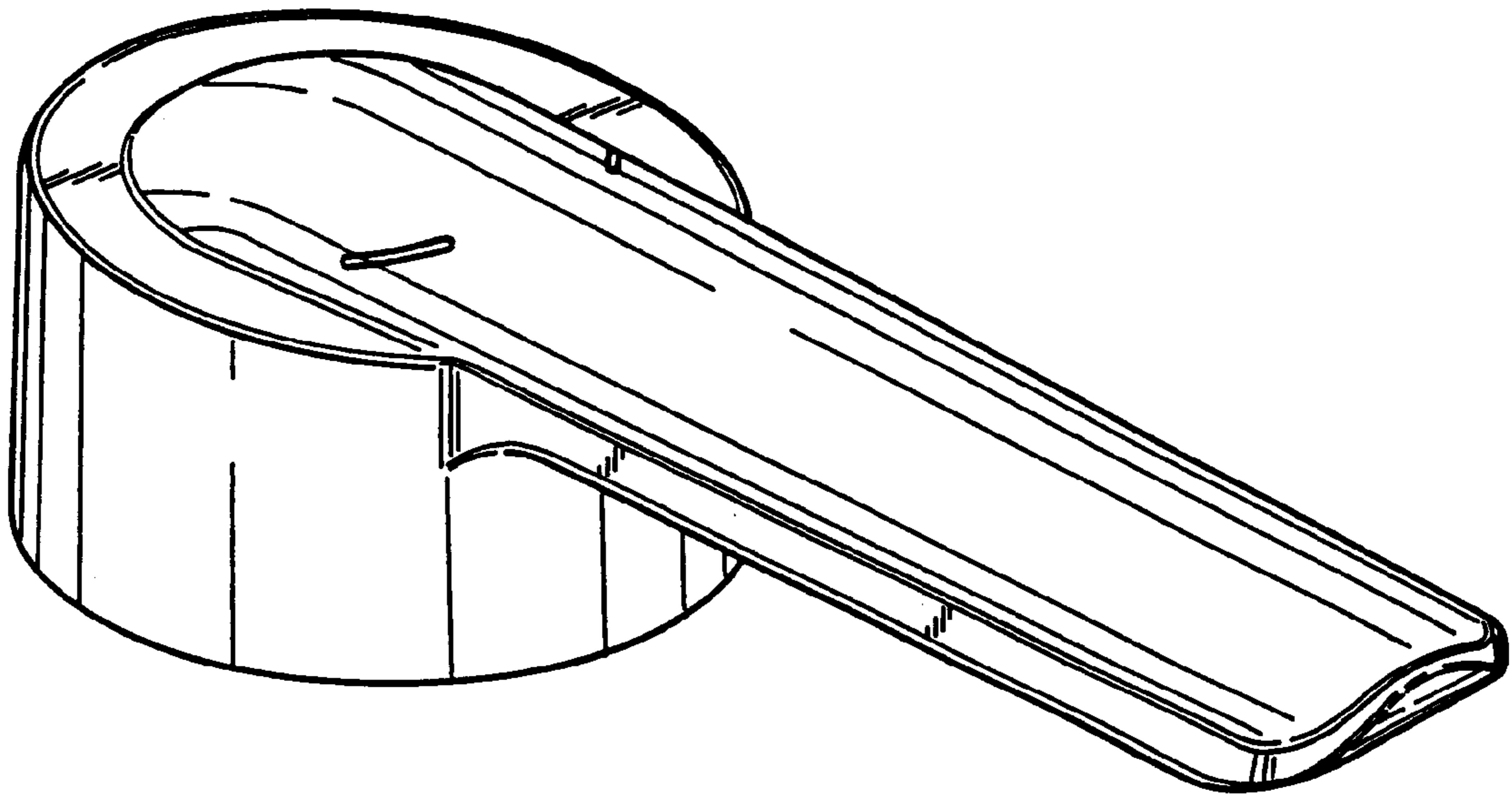
(57) **CLAIM**

The ornamental design for a faucet lever, as shown and described.

**DESCRIPTION**

FIG. 1 is a top, front, left-side perspective view of a faucet lever showing my new design;  
FIG. 2 is a rear elevational view thereof;  
FIG. 3 is a front elevational view thereof;  
FIG. 4 is a top plan view thereof;  
FIG. 5 is a left side elevational view thereof, the right side elevational view being mirror symmetrical thereto; and,  
FIG. 6 is a bottom plan view thereof.

**1 Claim, 2 Drawing Sheets**



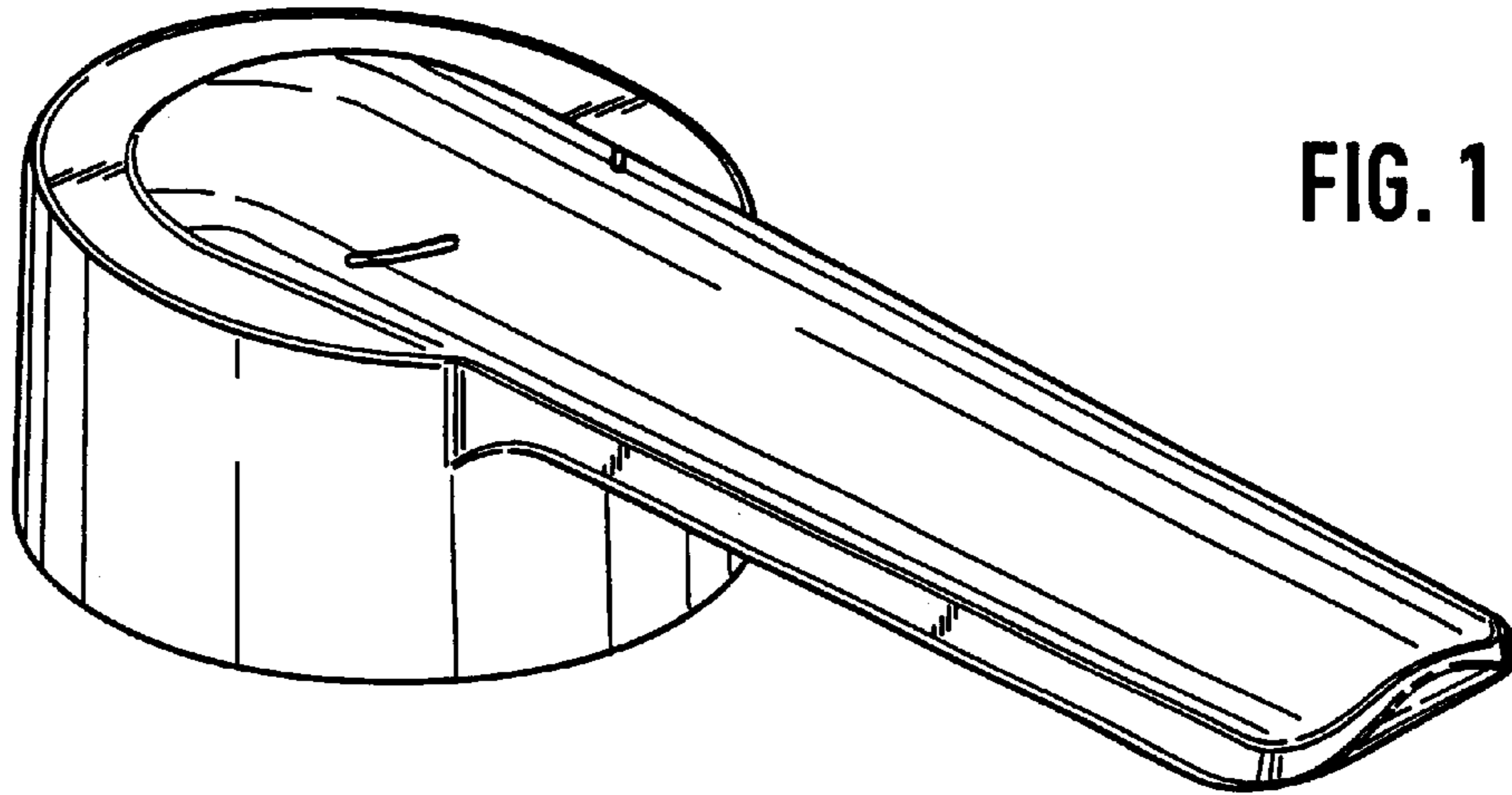


FIG. 1

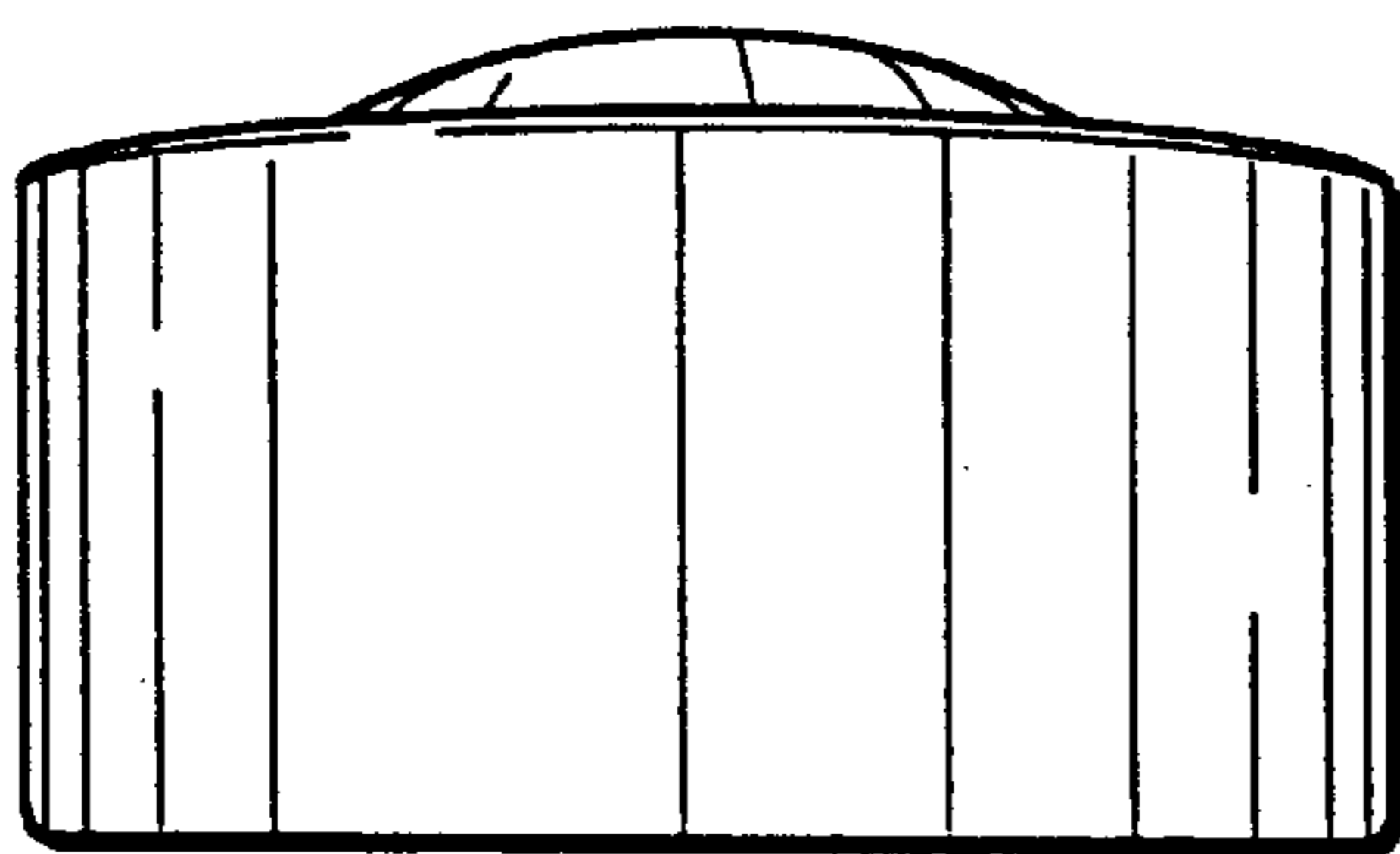


FIG. 2

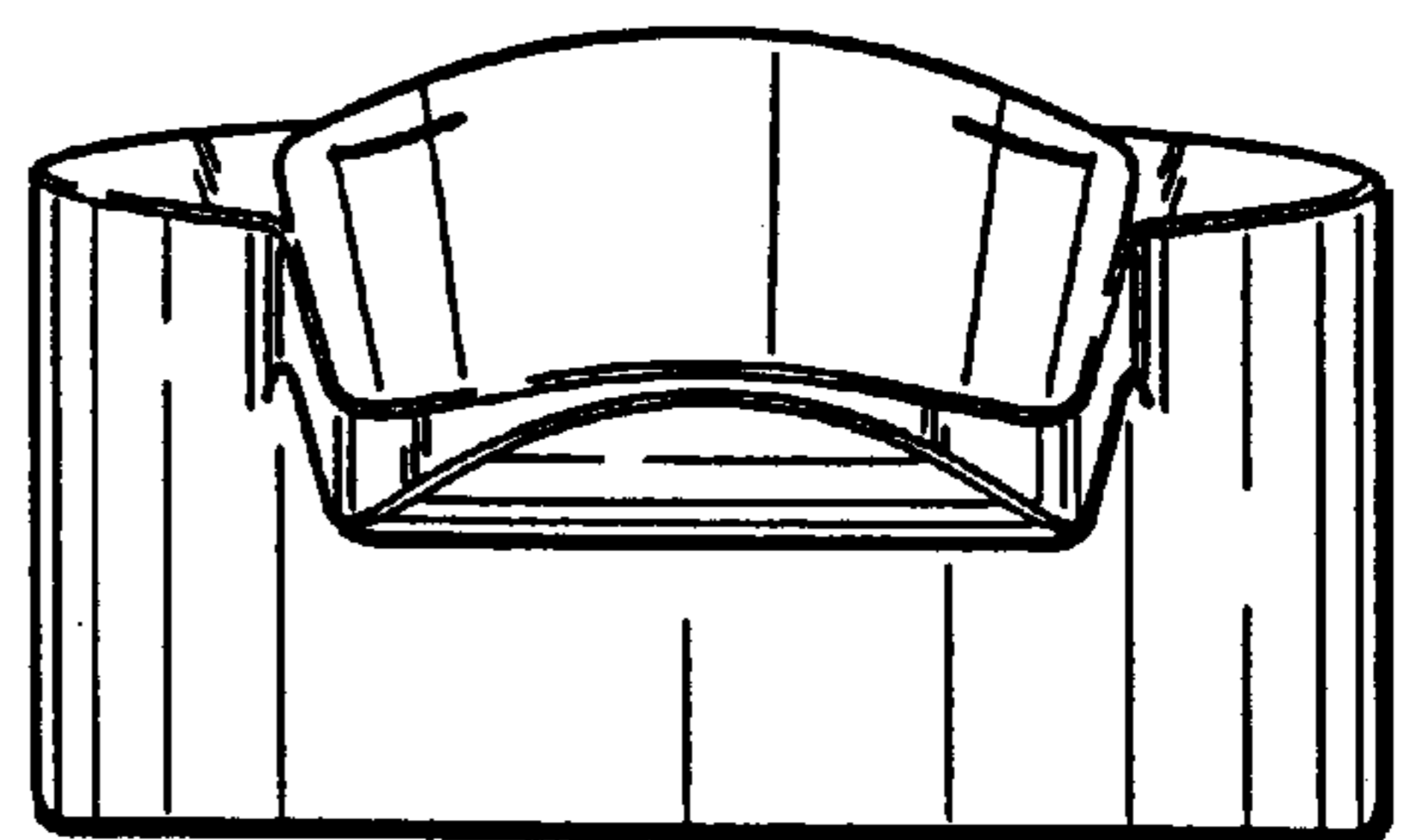


FIG. 3

FIG. 4

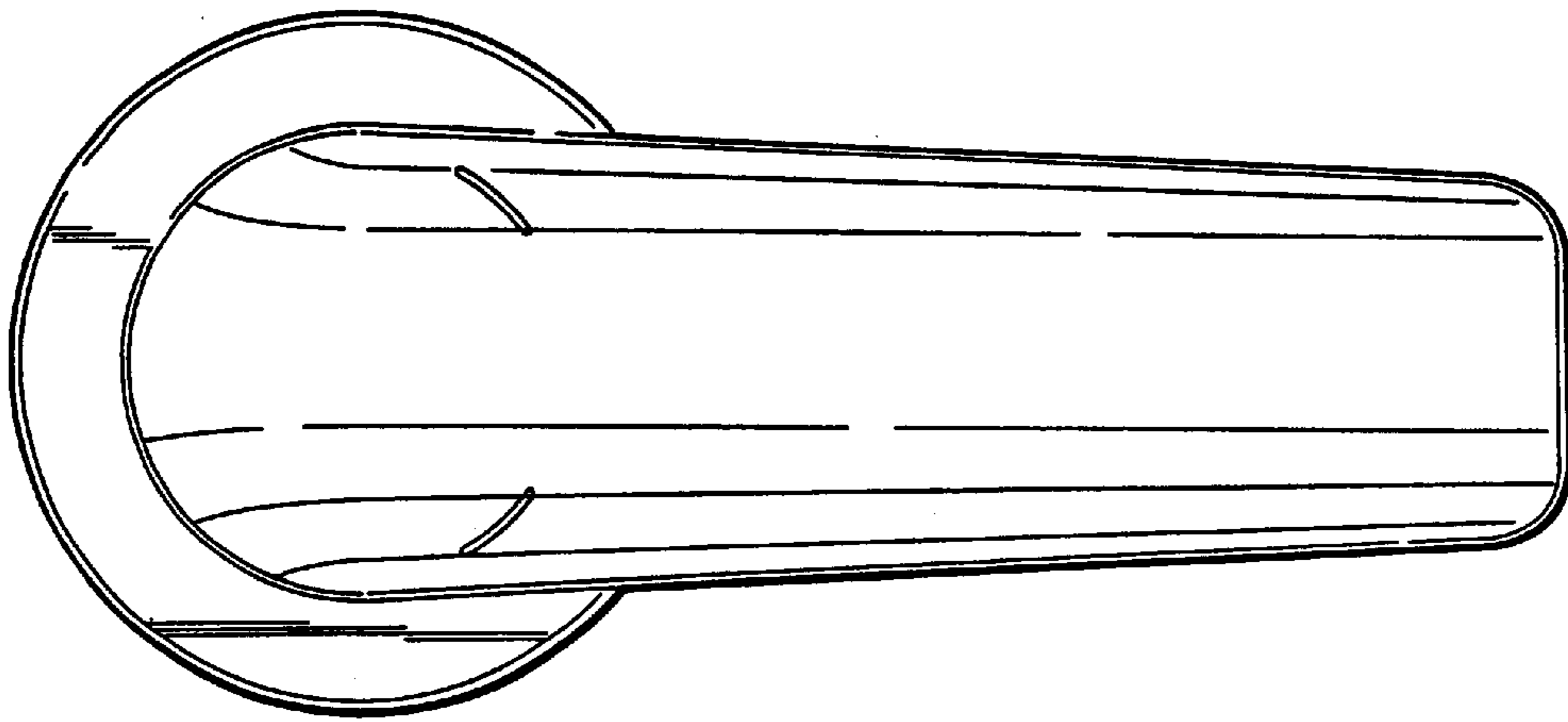


FIG. 5

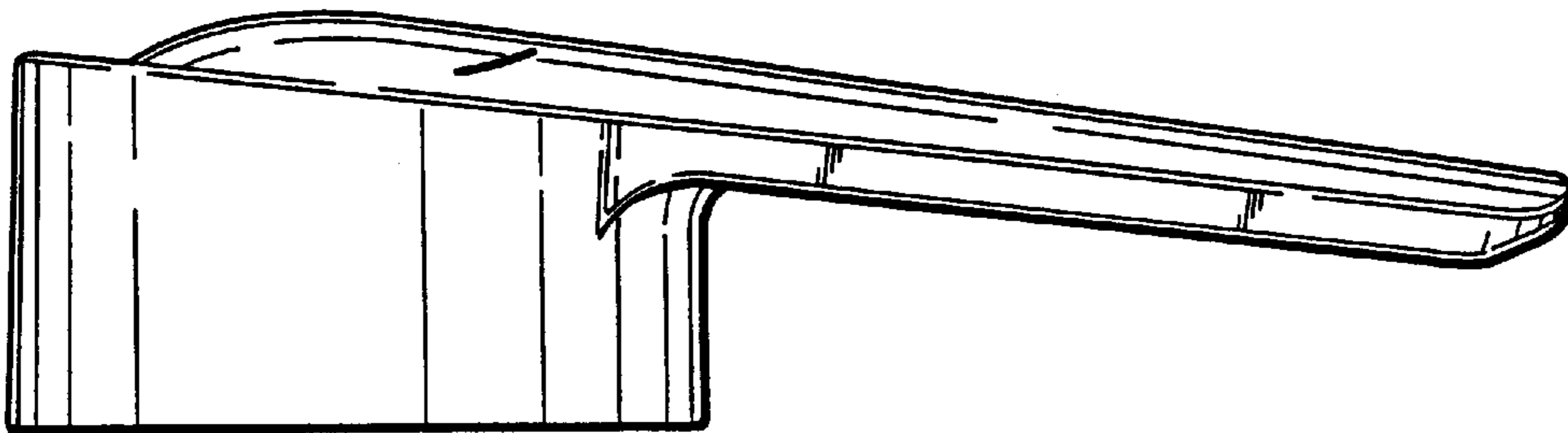


FIG. 6

