



US00D442263S

(12) **United States Design Patent**
Warshawsky et al.

(10) **Patent No.:** **US D442,263 S**

(45) **Date of Patent:** **** May 15, 2001**

(54) **ANNULAR SLIDING VALVE HANDLE**

D. 355,243 * 2/1995 Chen D23/238

D. 373,179 * 8/1996 Sieger D23/241

(75) Inventors: **Jerome Warshawsky**, Hewlett Harbor;
Frank Antonello, Commack, both of
NY (US)

* cited by examiner

Primary Examiner—Louis S. Zarfes

Assistant Examiner—Gregory Andoll

(73) Assignee: **I. W. Industries, Inc.**, Melville, NY
(US)

(74) *Attorney, Agent, or Firm*—Alfred M. Walker

(**) Term: **14 Years**

(57) **CLAIM**

The ornamental design for a annular sliding valve handle, as shown and described.

(21) Appl. No.: **29/121,387**

DESCRIPTION

(22) Filed: **Apr. 5, 2000**

(51) **LOC (7) Cl.** **23-01**

FIG. 1 is a perspective view of a annular sliding valve handle, showing my new design in an upright closed position;

(52) **U.S. Cl.** **D23/250; D23/252**

FIG. 2 is a rear elevational view thereof;

(58) **Field of Search** D23/238–243,

FIG. 3 is a front elevational view thereof;

D23/249, 250–254; D8/803, 321, DIG. 2,
300, 303, 352, 378, 363; D6/550; 4/657–678;

FIG. 4 is a left side elevational thereof, shown in a tilted open position, the right side being a mirror image thereof;

16/110 R; 137/801

FIG. 5 is a left side elevational view thereof, shown in an upright closed position;

(56) **References Cited**

U.S. PATENT DOCUMENTS

D. 291,236 * 8/1987 Delepine D23/242

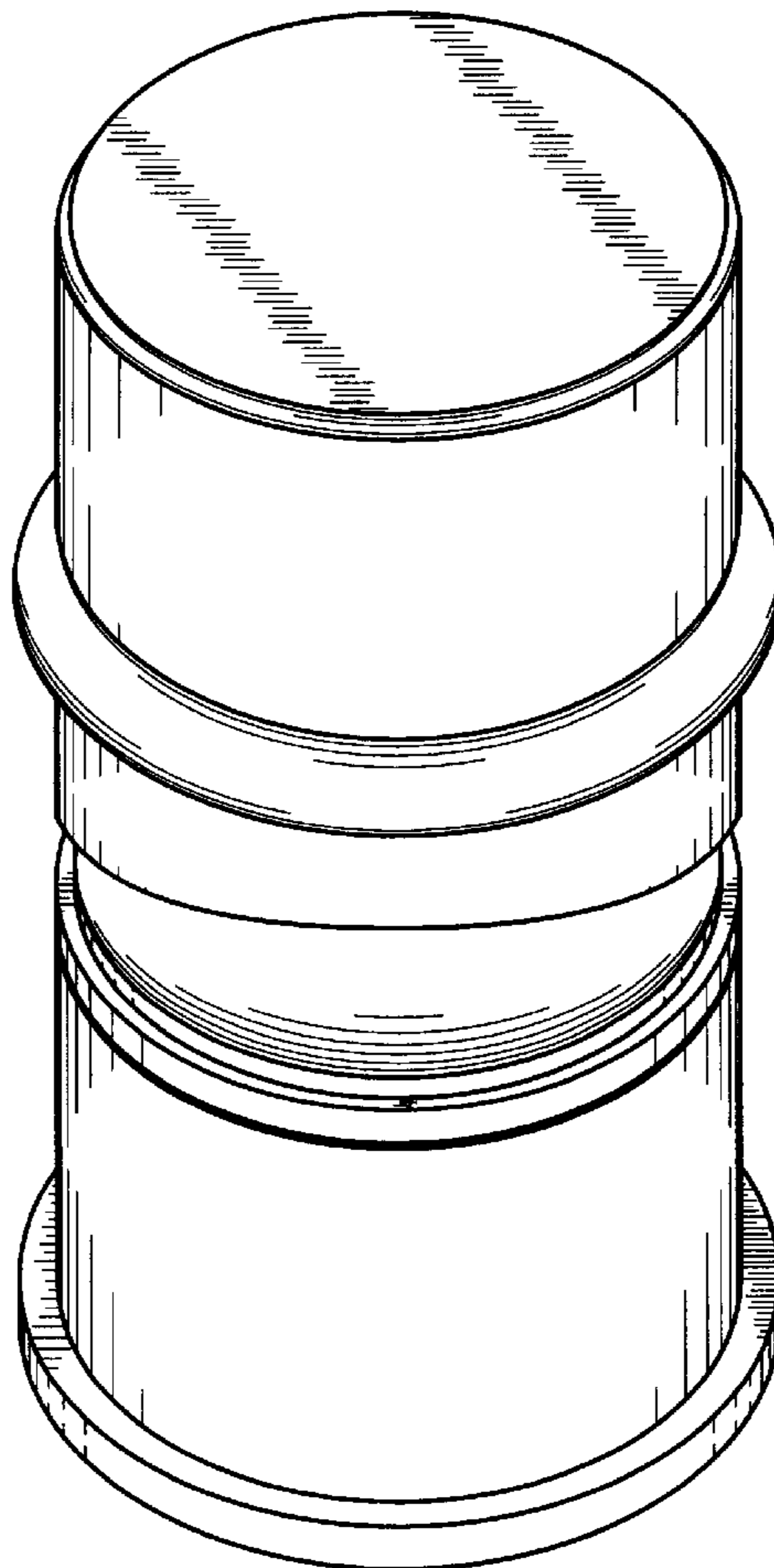
D. 291,239 * 8/1987 Haug et al. D23/254

D. 297,662 * 9/1988 Jans D23/254

FIG. 6 is a top plan view, shown in an upright closed position; and,

FIG. 7 is a bottom view thereof.

1 Claim, 4 Drawing Sheets



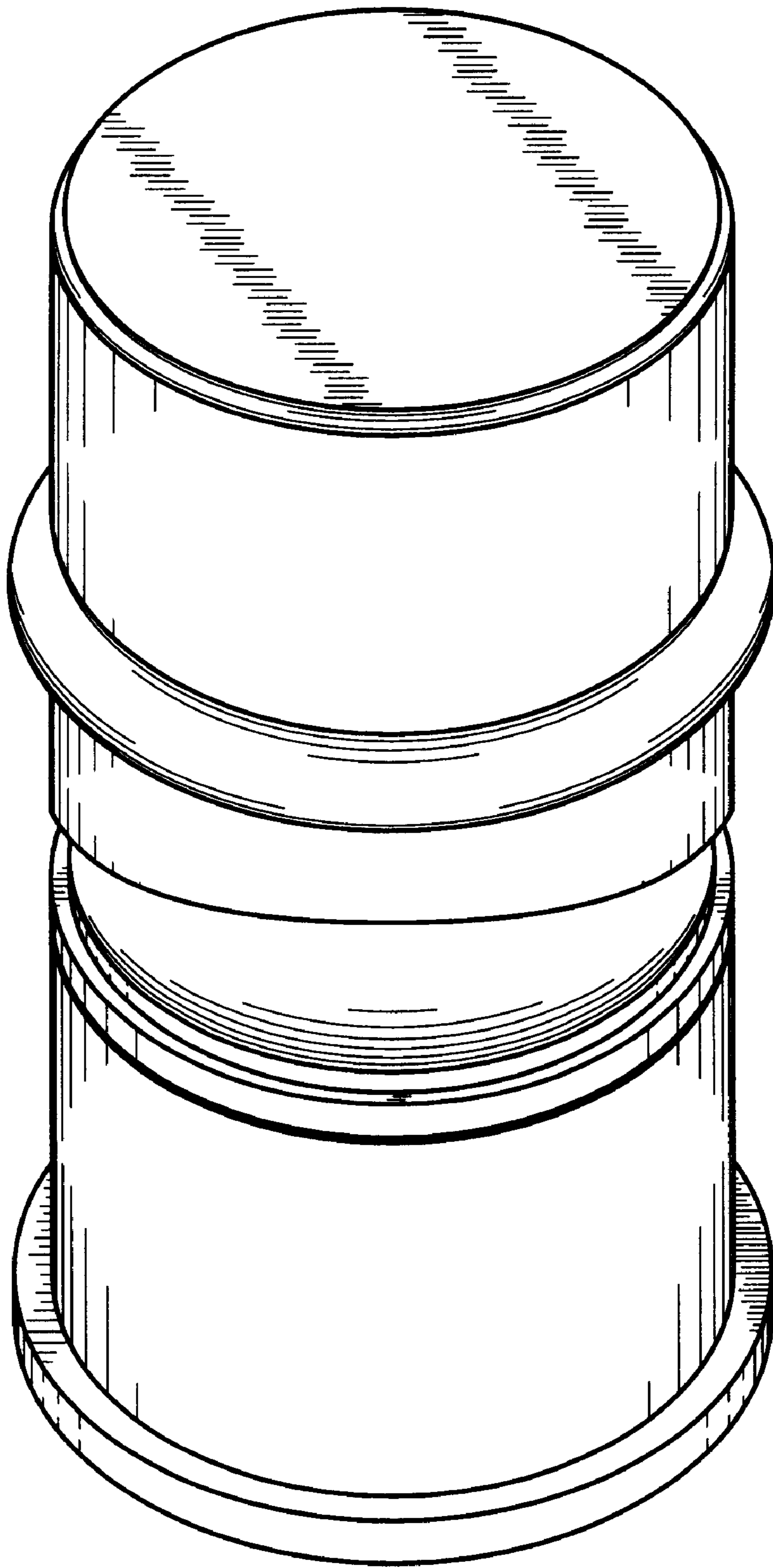


FIG. 1

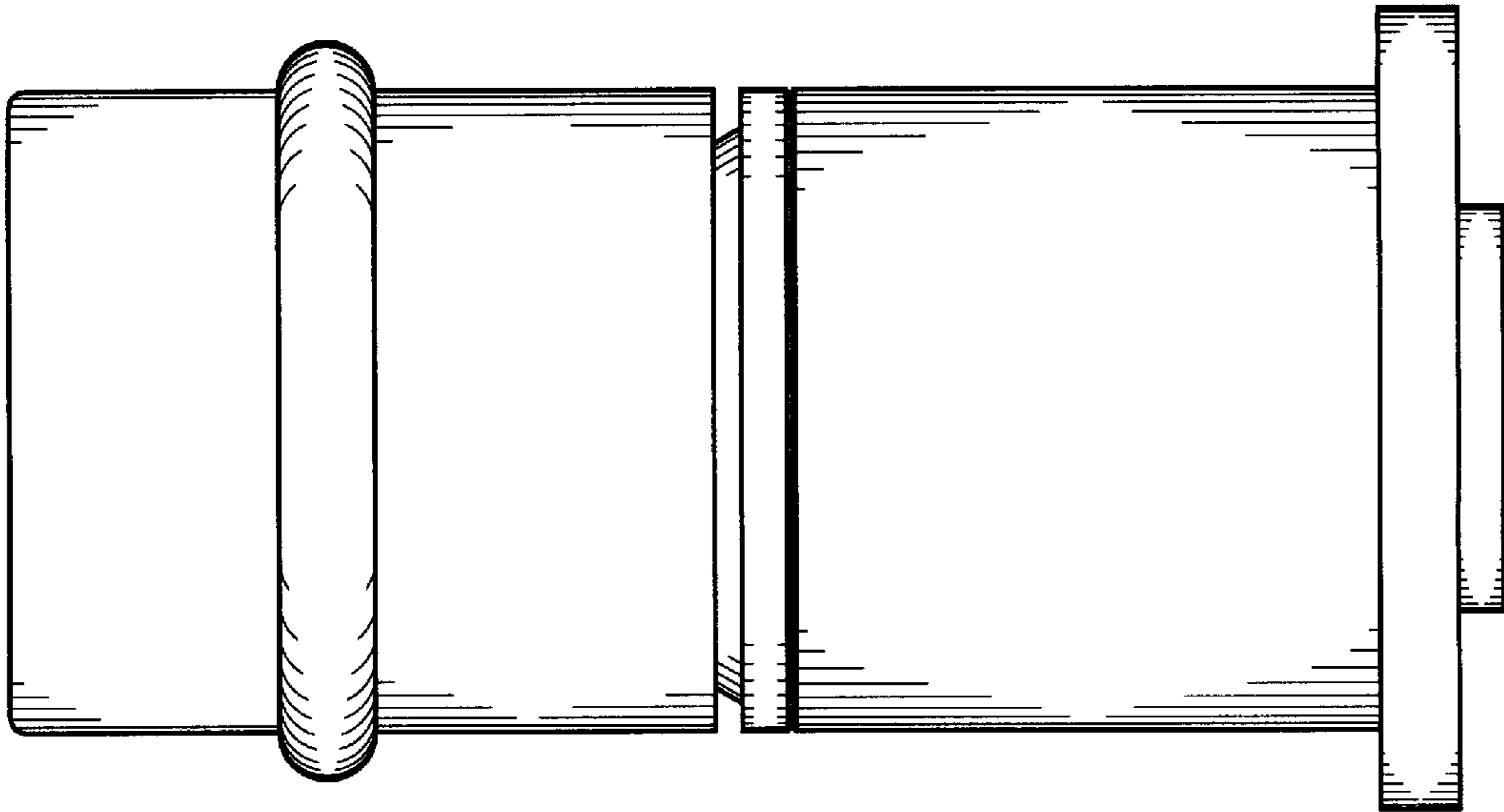


FIG. 3

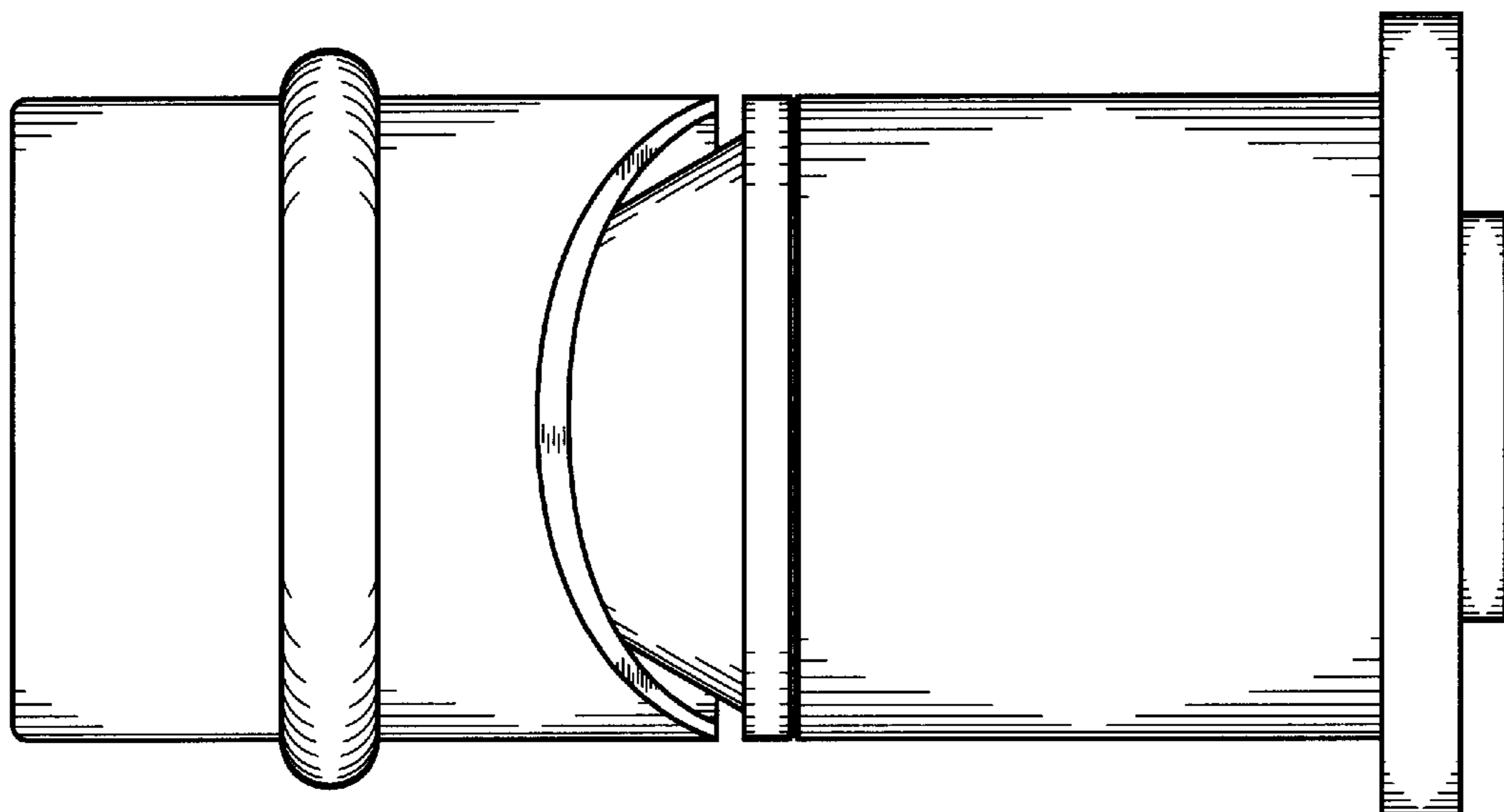


FIG. 2

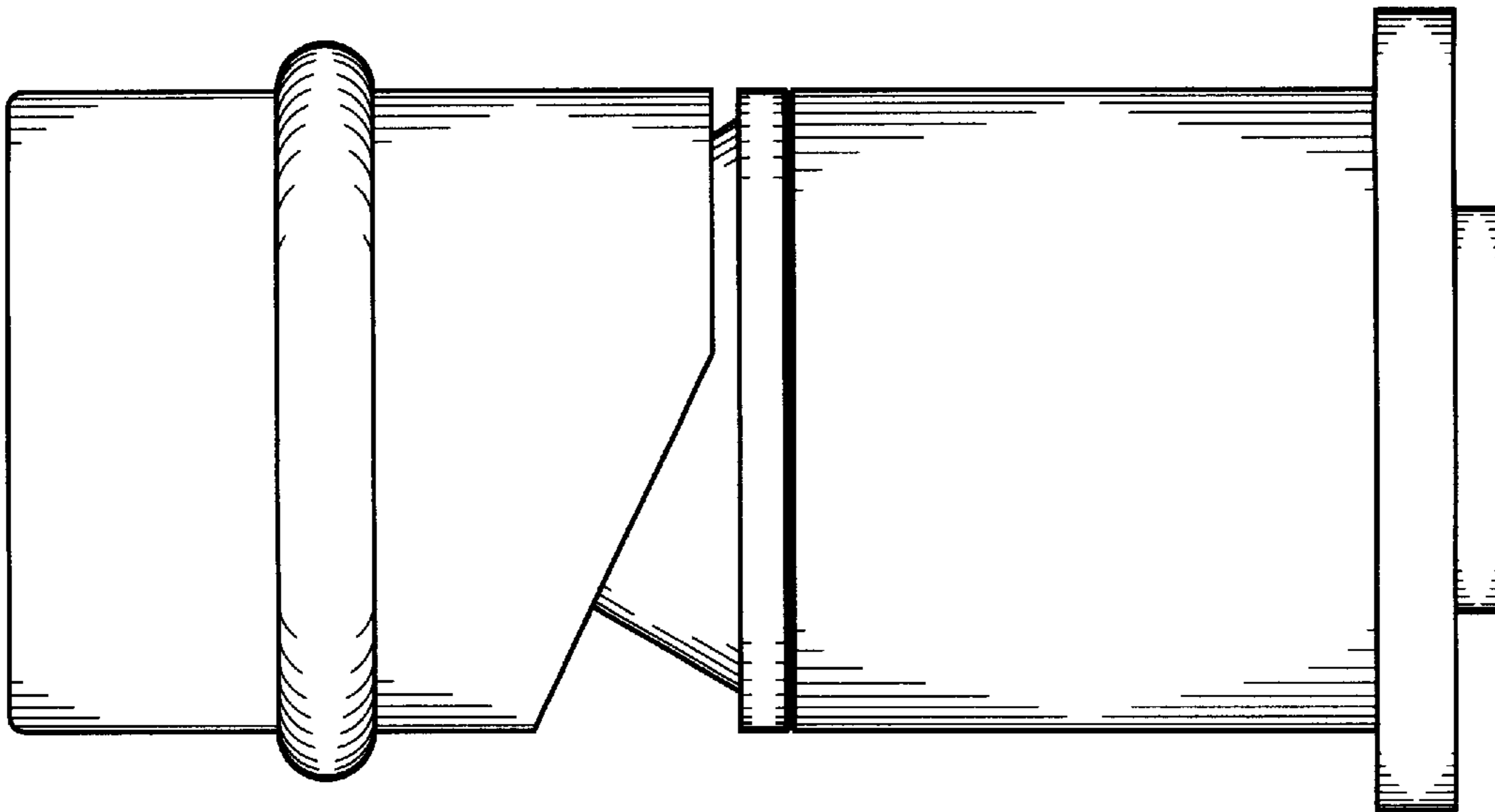


FIG. 5

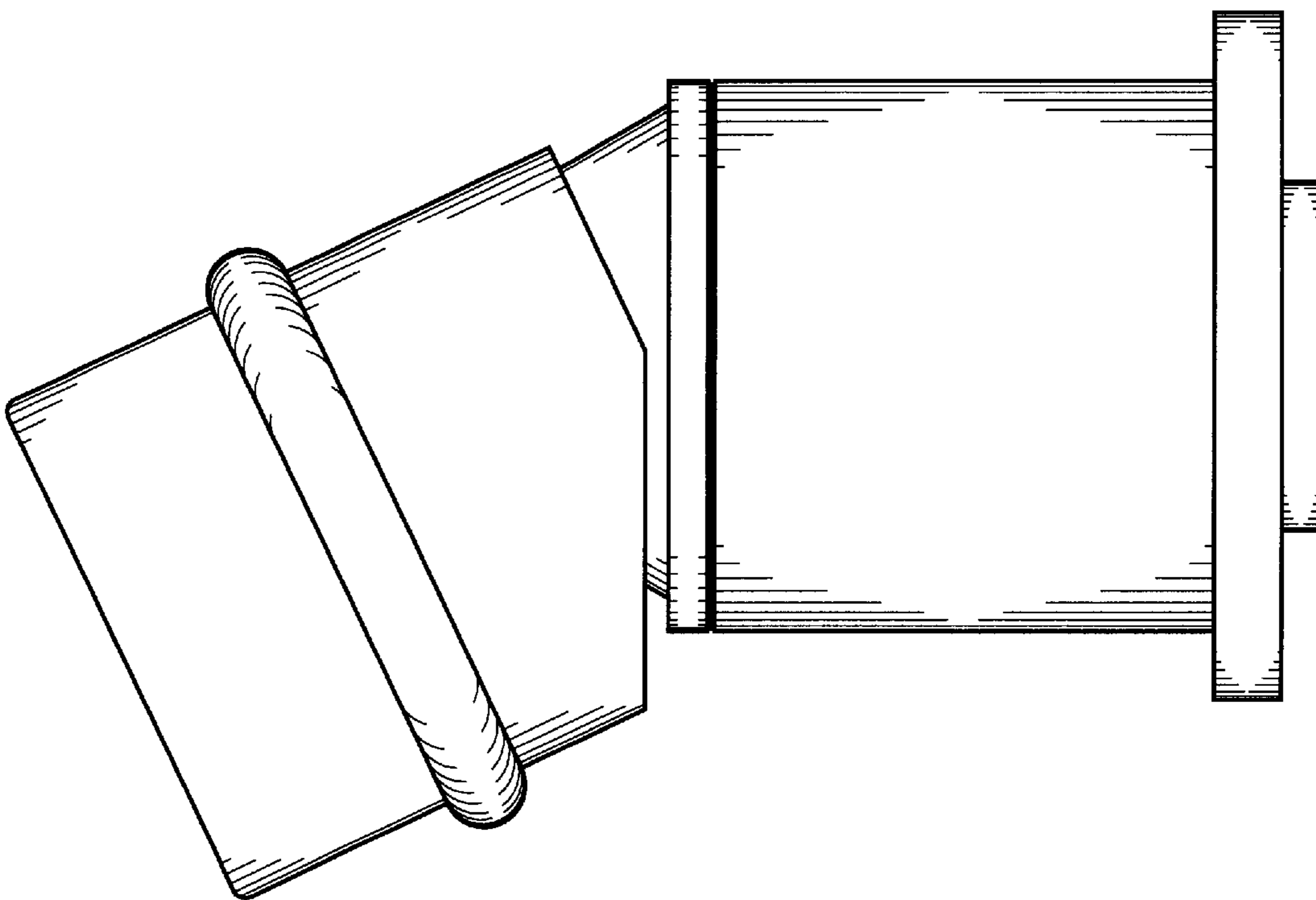


FIG. 4

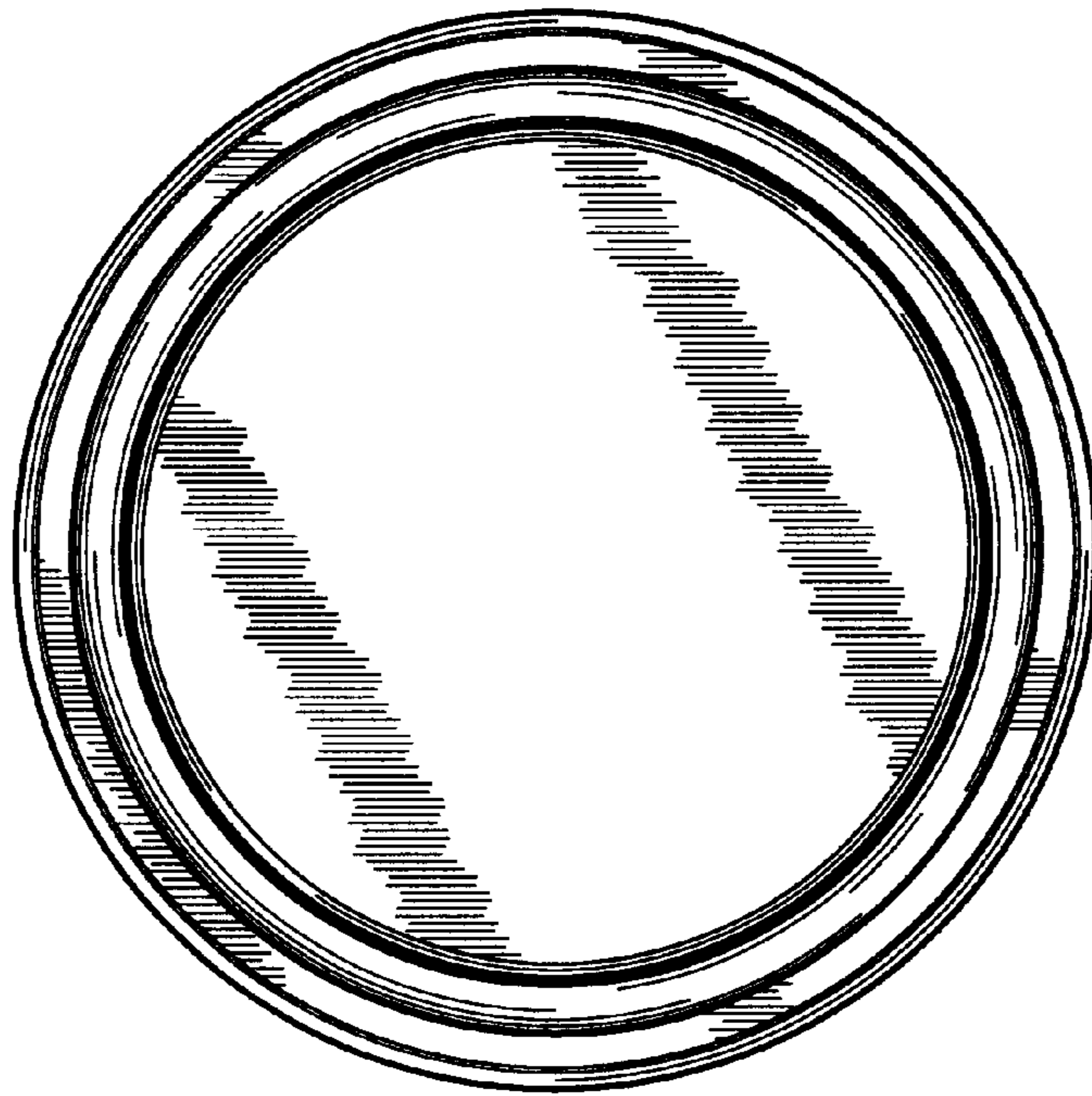


FIG. 6

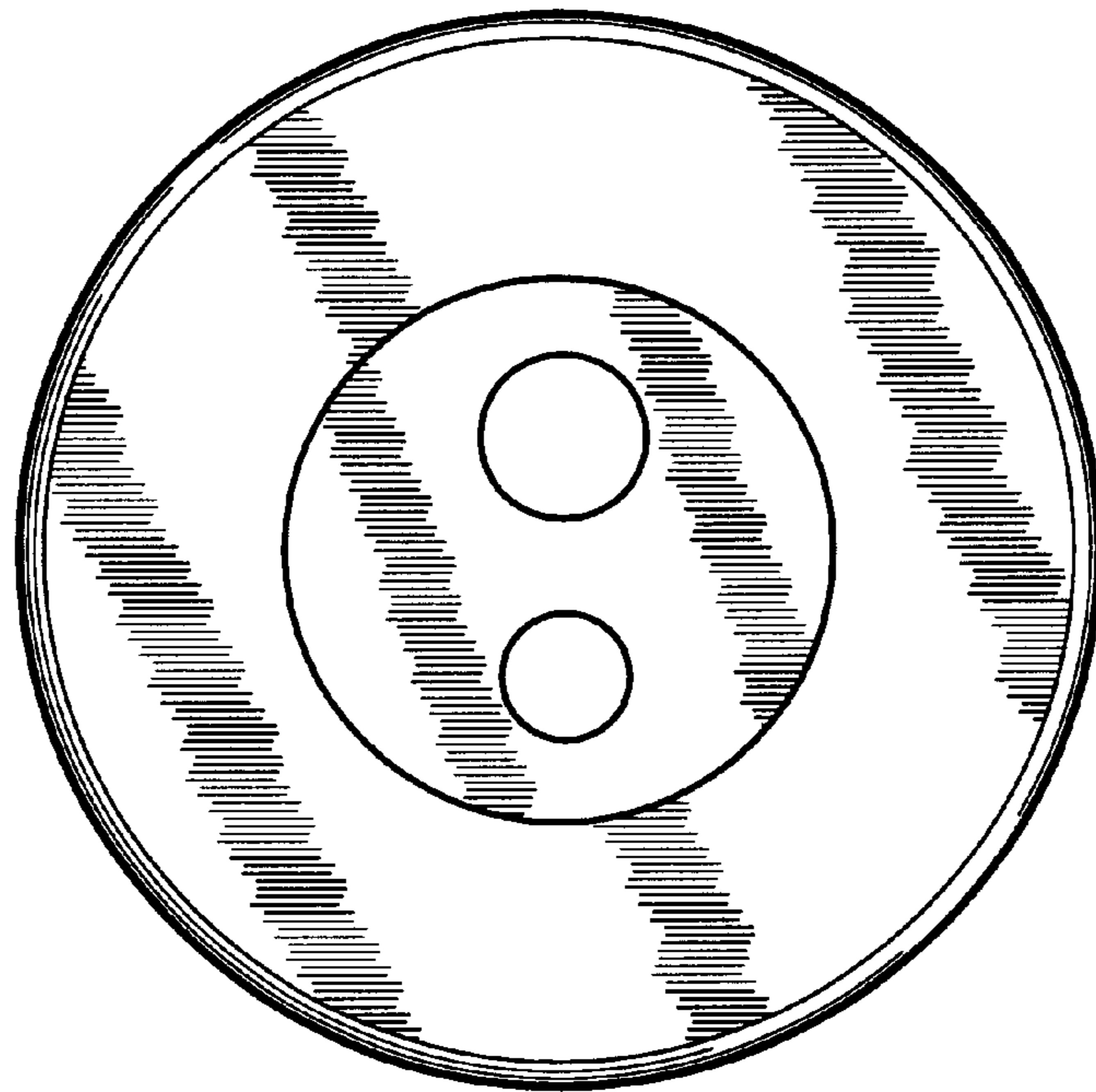


FIG. 7