



US00D442260S

(12) **United States Design Patent**
Marzec et al.

(10) **Patent No.:** **US D442,260 S**

(45) **Date of Patent:** **** May 15, 2001**

(54) **MULTIPLE OUTLET VALVE**

(75) Inventors: **Richard E. Marzec**, Higganum, CT (US); **Frank Pieters**, Pointe-Claire (CA); **R. Stuart Holden, Jr.**, Farmington, CT (US)

(73) Assignee: **The Keeney Manufacturing Company**, Newington, CT (US)

(**) Term: **14 Years**

(21) Appl. No.: **29/125,123**

(22) Filed: **Jun. 20, 2000**

(51) **LOC (7) Cl.** **23-01**

(52) **U.S. Cl.** **D23/233**

(58) **Field of Search** D23/233-6, 244-5,
D23/214; 137/625.4, 597

(56) **References Cited**

U.S. PATENT DOCUMENTS

D. 180,010	*	4/1957	Britton	D23/233
D. 276,837	*	12/1984	Evans	D23/233
D. 394,898	*	6/1998	Evans	D23/214
5,996,603	*	12/1999	Dupler	137/597

* cited by examiner

Primary Examiner—Robin V. Taylor

(74) *Attorney, Agent, or Firm*—Alix, Yale & Ristas, LLP

(57) **CLAIM**

The ornamental design for a multiple outlet valve, as shown and described.

DESCRIPTION

FIG. 1 is a top view of the multiple outlet valve showing my new design;

FIG. 2 is a front perspective view of the multiple outlet valve of FIG. 1;

FIG. 3 is a right side perspective view of the multiple outlet valve of FIG. 1, the left side being essentially a mirror image thereof;

FIG. 4 is a bottom perspective view of the multiple outlet valve of FIG. 1;

FIG. 5 is a rear perspective view of the multiple outlet valve of FIG. 1; and,

FIG. 6 is a frontal perspective view of the multiple outlet valve of FIG. 1.

1 Claim, 3 Drawing Sheets

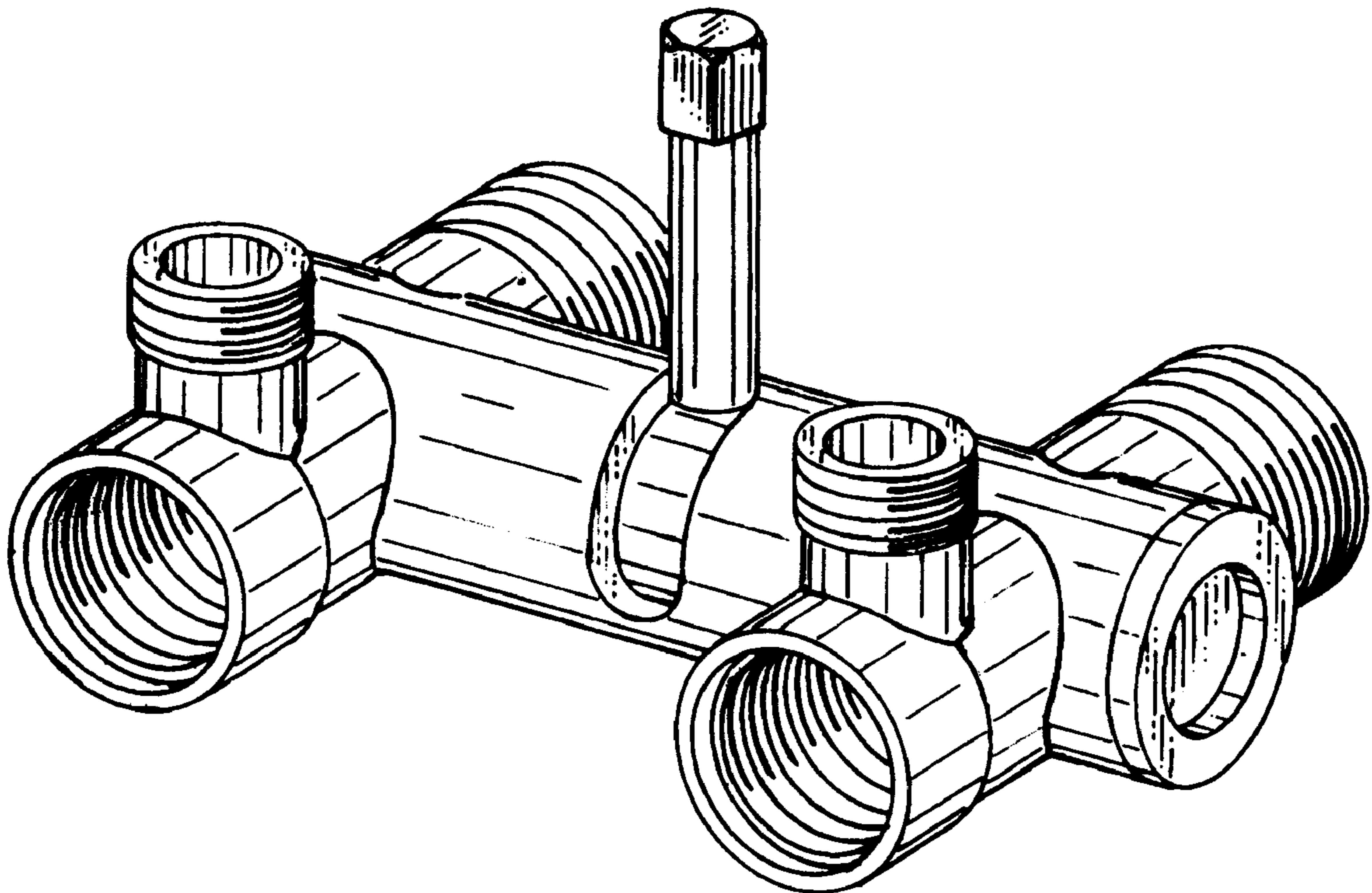


FIG. 1

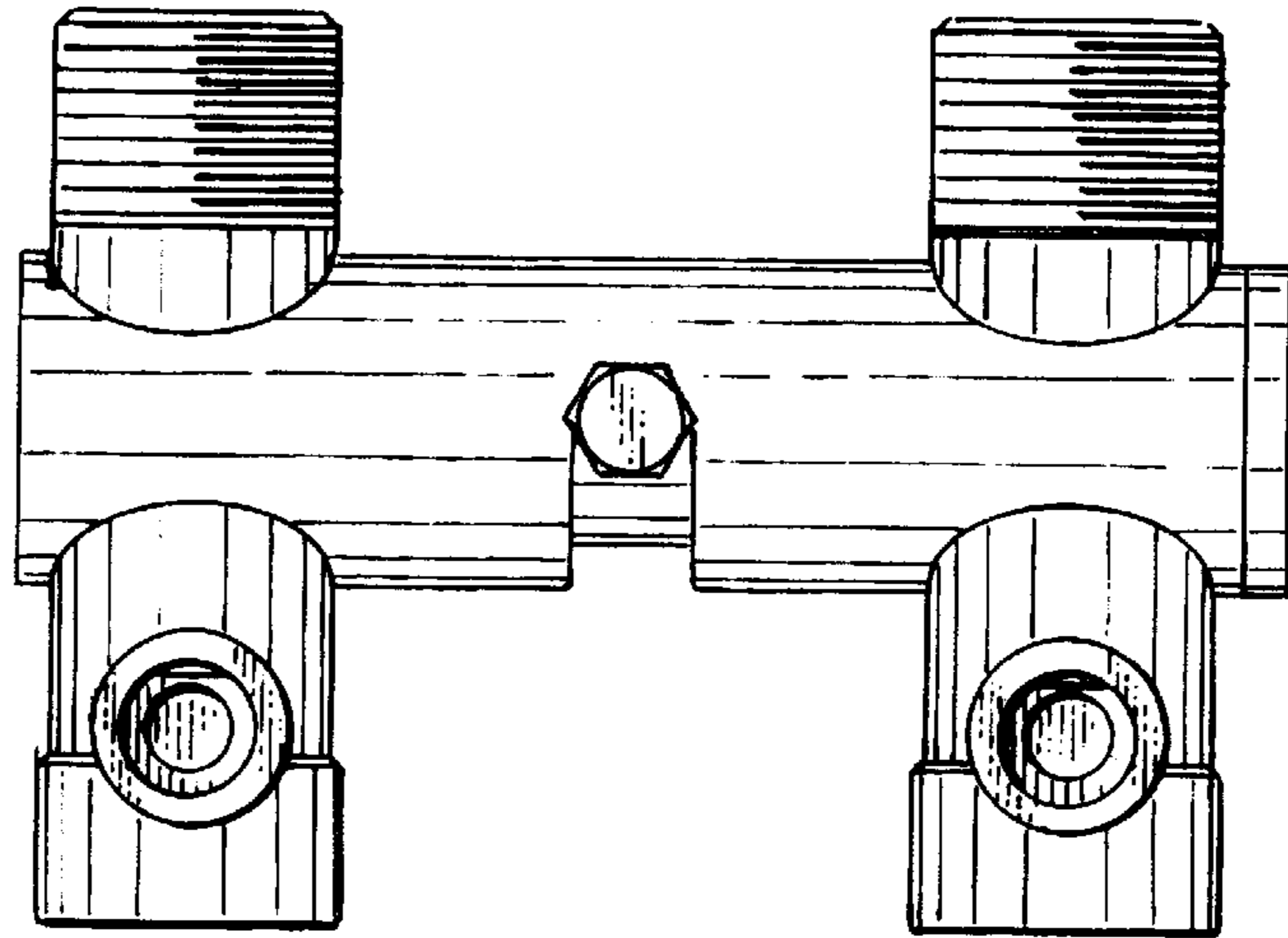


FIG. 2

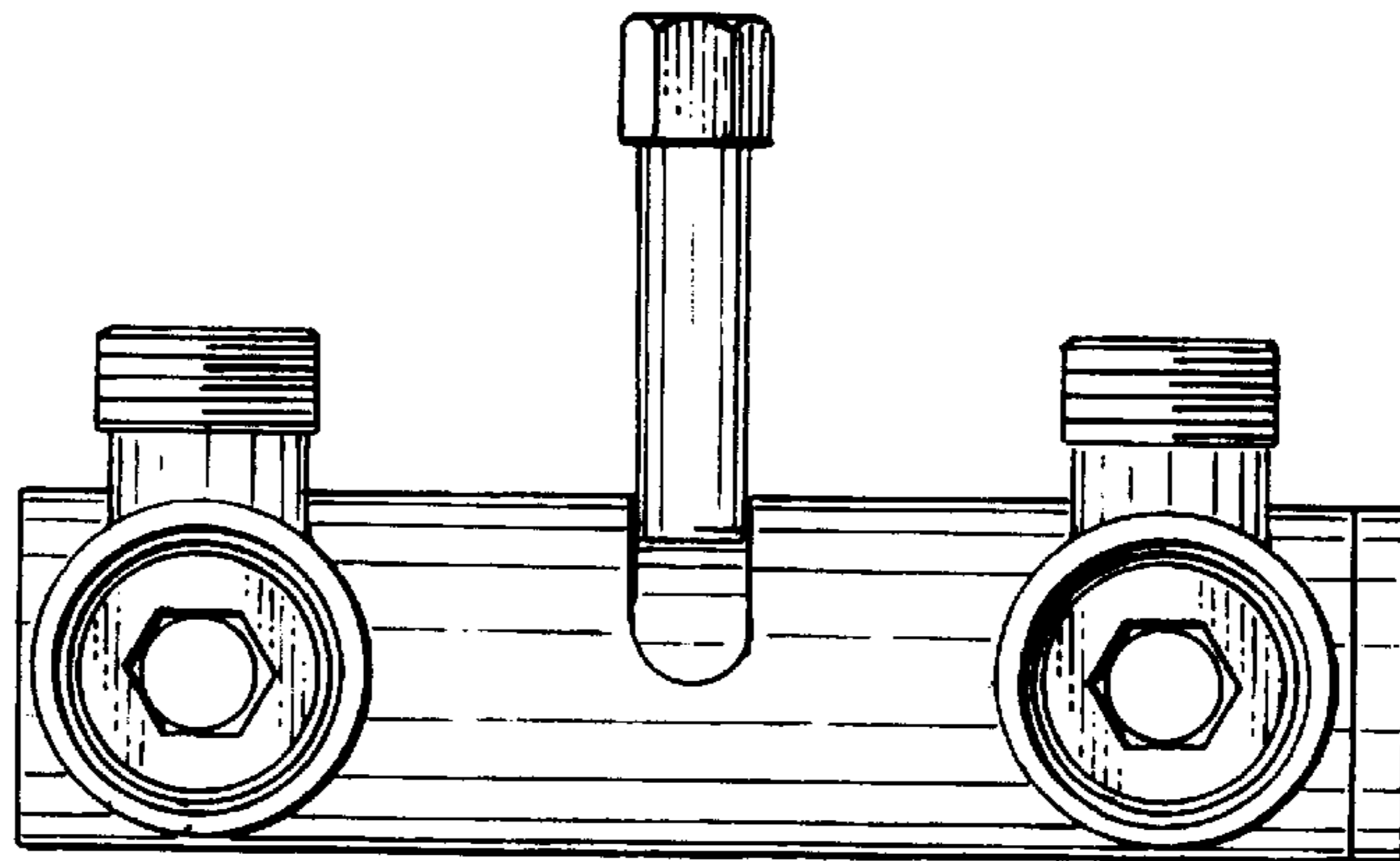
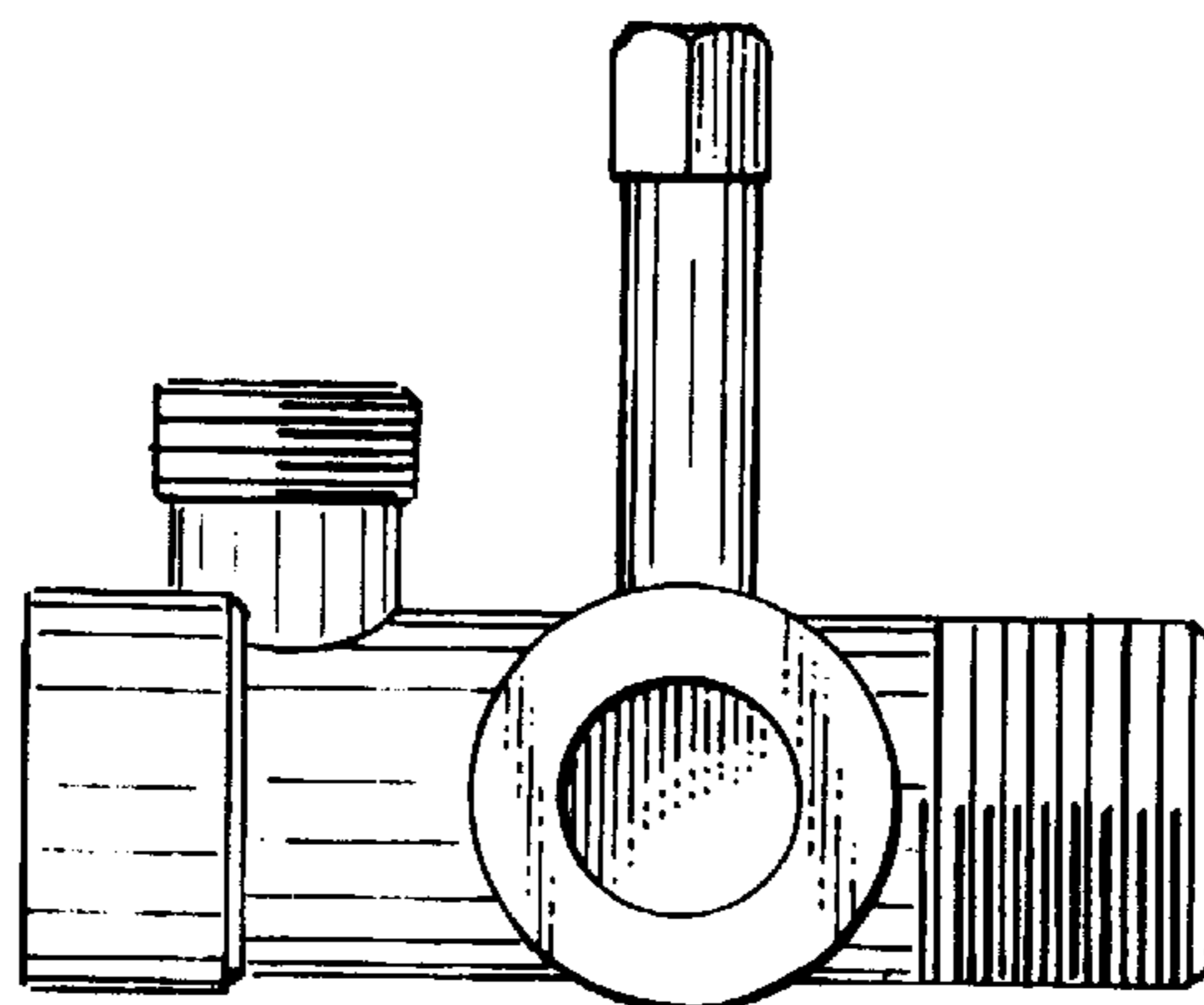


FIG. 3



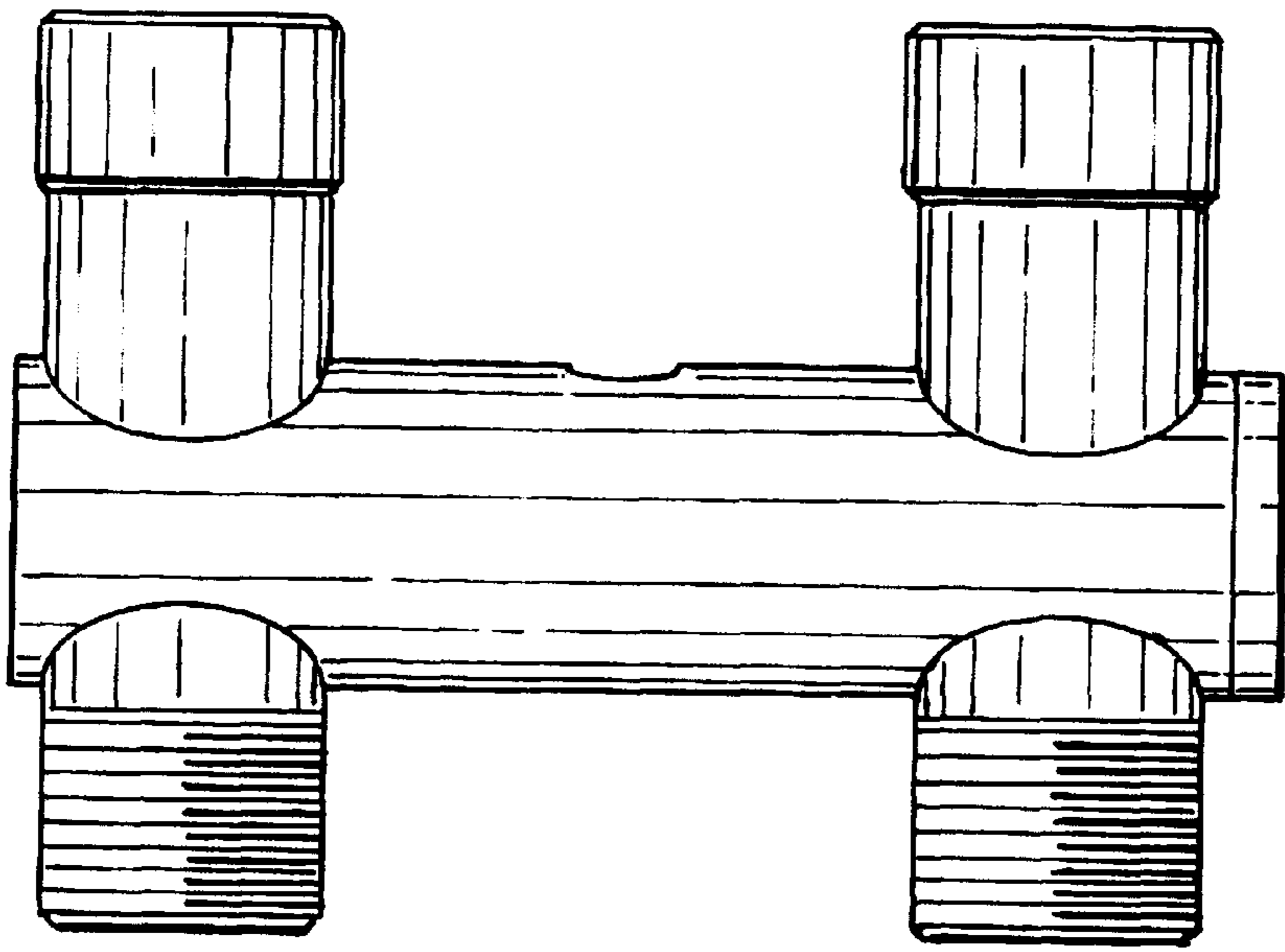


FIG. 4

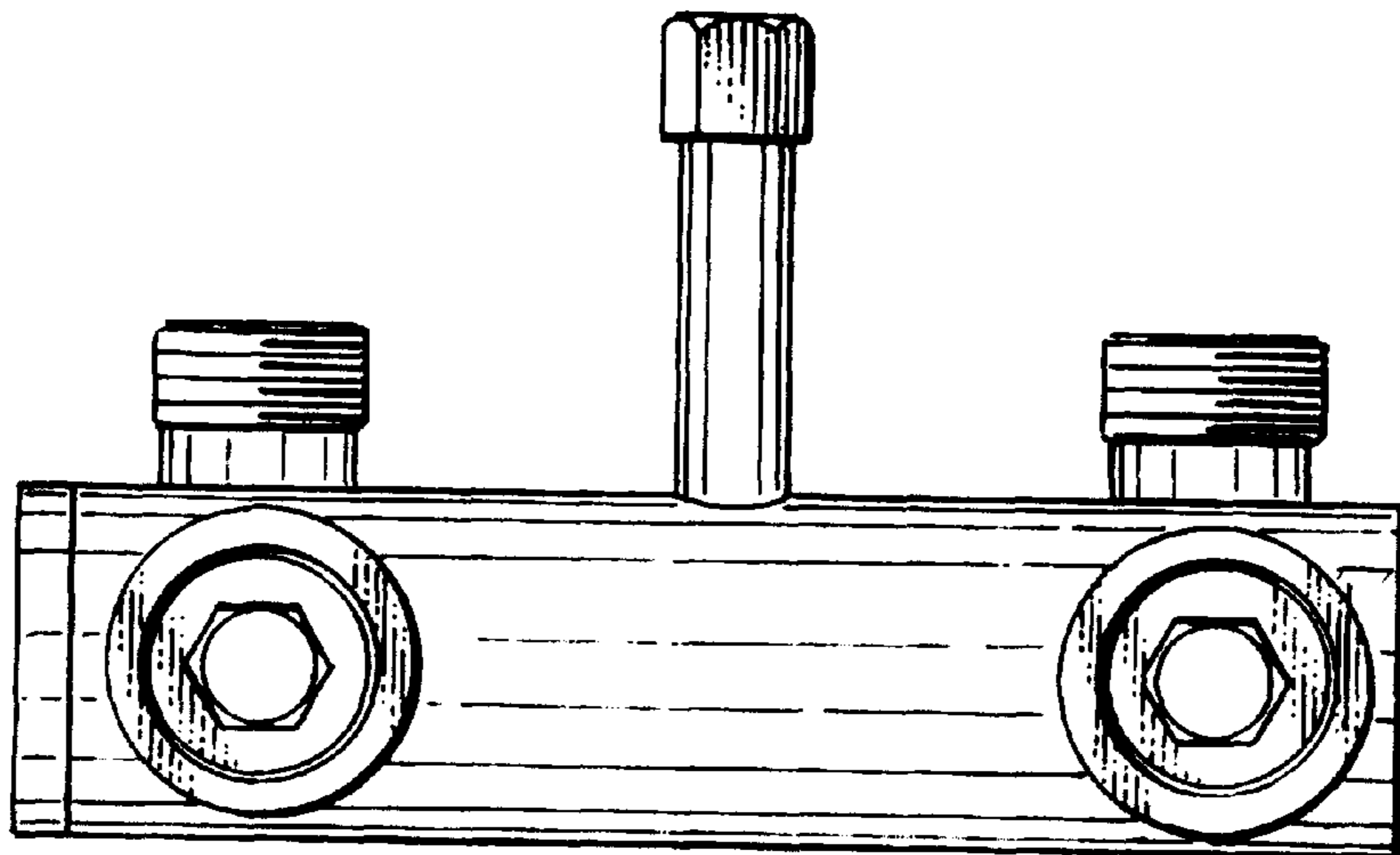


FIG. 5

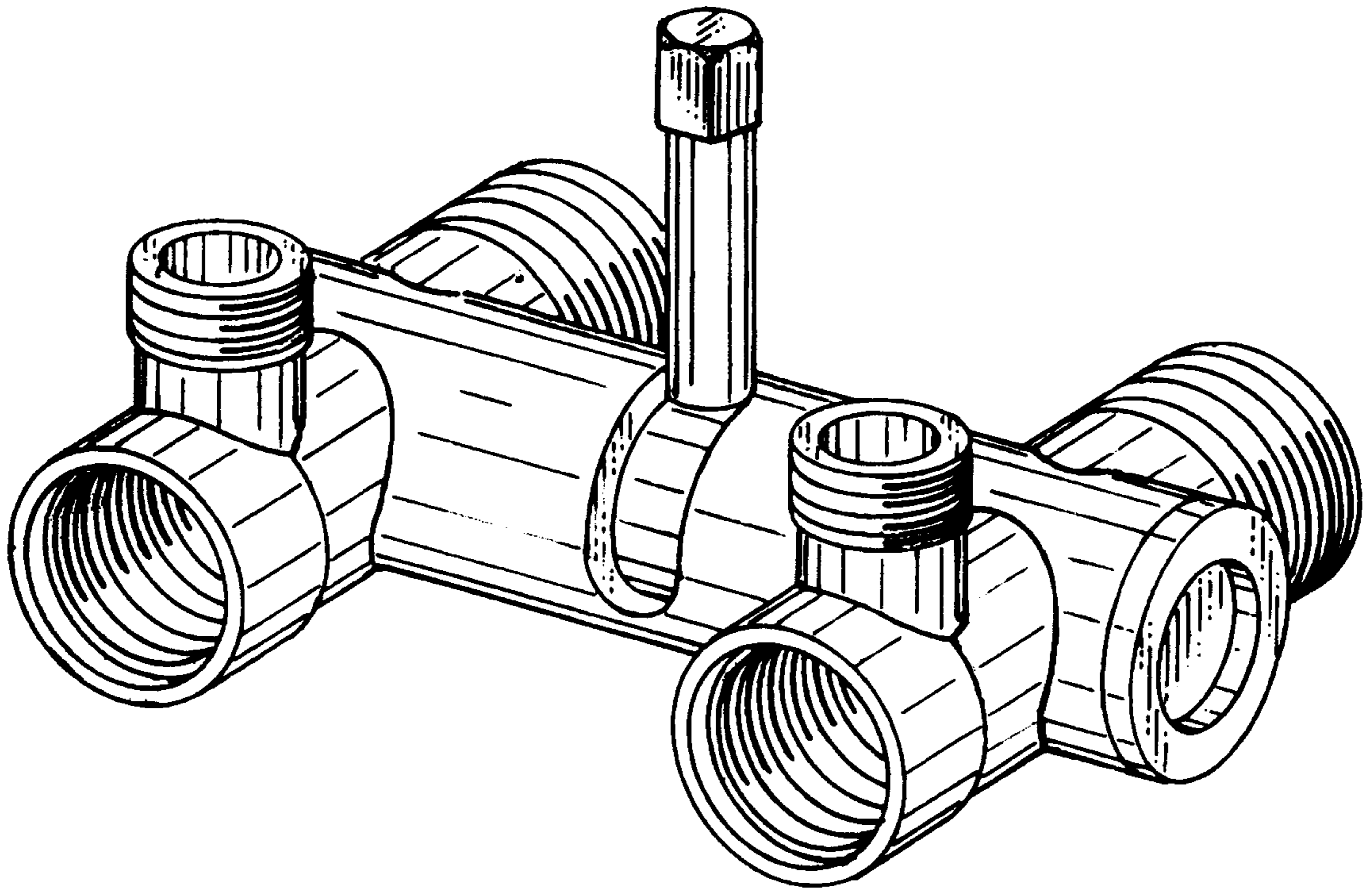


FIG. 6