



US00D442256S

(12) **United States Design Patent**
Haney

(10) **Patent No.:** **US D442,256 S**

(45) **Date of Patent:** **** May 15, 2001**

(54) **TORPEDO CASTING FLOAT**

(76) **Inventor:** **Richard A. Haney**, 1760 E. Creek Dr.,
Dripping Springs, TX (US) 78610

(**) **Term:** **14 Years**

(21) **Appl. No.:** **29/091,669**

(22) **Filed:** **Aug. 3, 1998**

(51) **LOC (7) Cl.** **22-05**

(52) **U.S. Cl.** **D22/146**

(58) **Field of Search** D22/146, 145,
D22/126; 43/43.1, 44.9, 44.91

(56) **References Cited**

U.S. PATENT DOCUMENTS

D. 247,571	*	3/1978	Foster	D22/126
943,450	*	12/1909	Owens	D22/146
2,315,048	*	3/1943	Croft	D22/146
3,096,599	*	7/1963	Baron	43/44.9
3,154,878	*	11/1964	Ekstrand	D22/146
3,867,783	*	2/1975	Simpson	43/44.91

3,967,407 * 7/1976 Halbasch 43/44.9

5,117,576 * 6/1992 Lasiter 43/44.9

5,241,774 * 9/1993 Rayburn 43/44.9

5,675,927 * 10/1997 Kloos 43/44.9

* cited by examiner

Primary Examiner—Louis S. Zarfaz

Assistant Examiner—Inga-Maria Hyttinen

(57) **CLAIM**

The ornamental design for a torpedo casting float, as shown.

DESCRIPTION

FIG. 1 is a top, front, right side elevational view of a torpedo casting float showing my new design;

FIG. 2 is a top plain view thereof;

FIG. 3 is a left side view thereof;

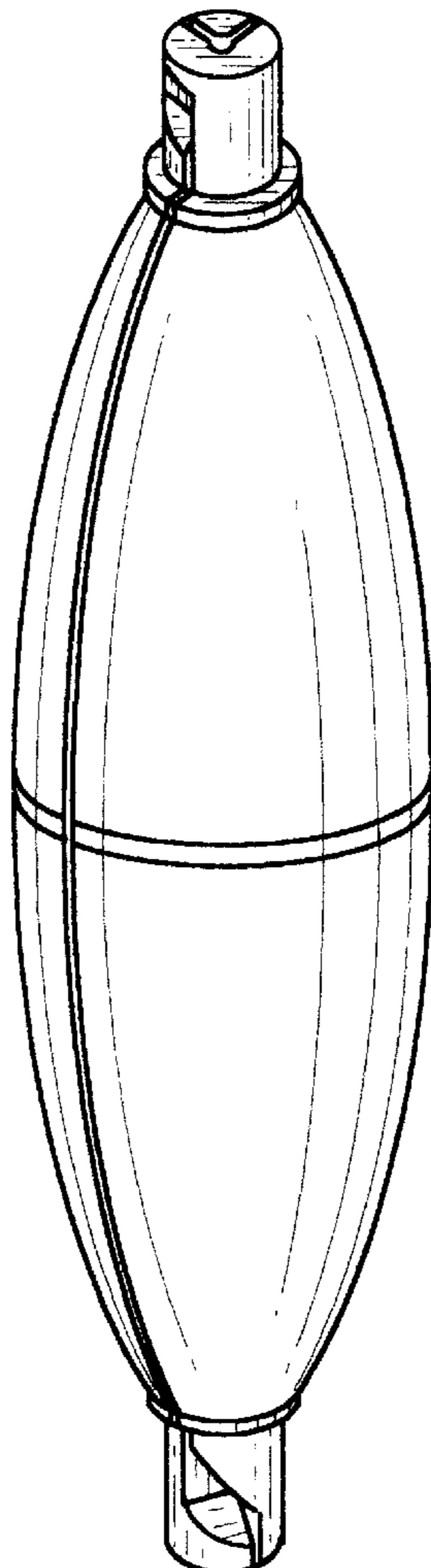
FIG. 4 is a front elevational view thereof;

FIG. 5 is a right side view thereof;

FIG. 6 is a rear elevational view thereof; and,

FIG. 7 is a bottom plain view thereof.

1 Claim, 3 Drawing Sheets



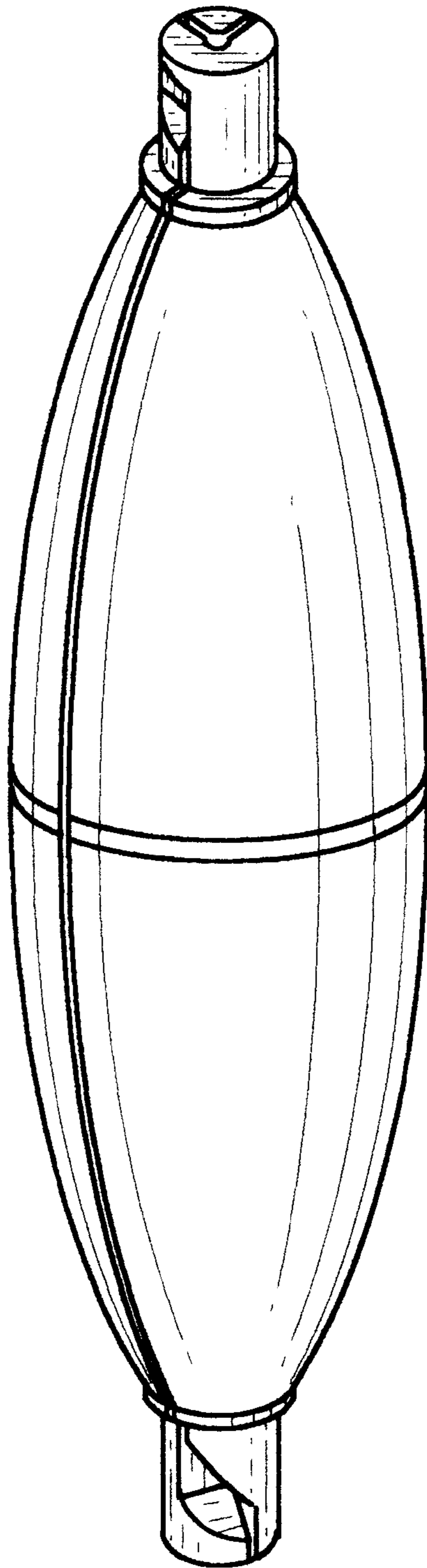


Fig. 1

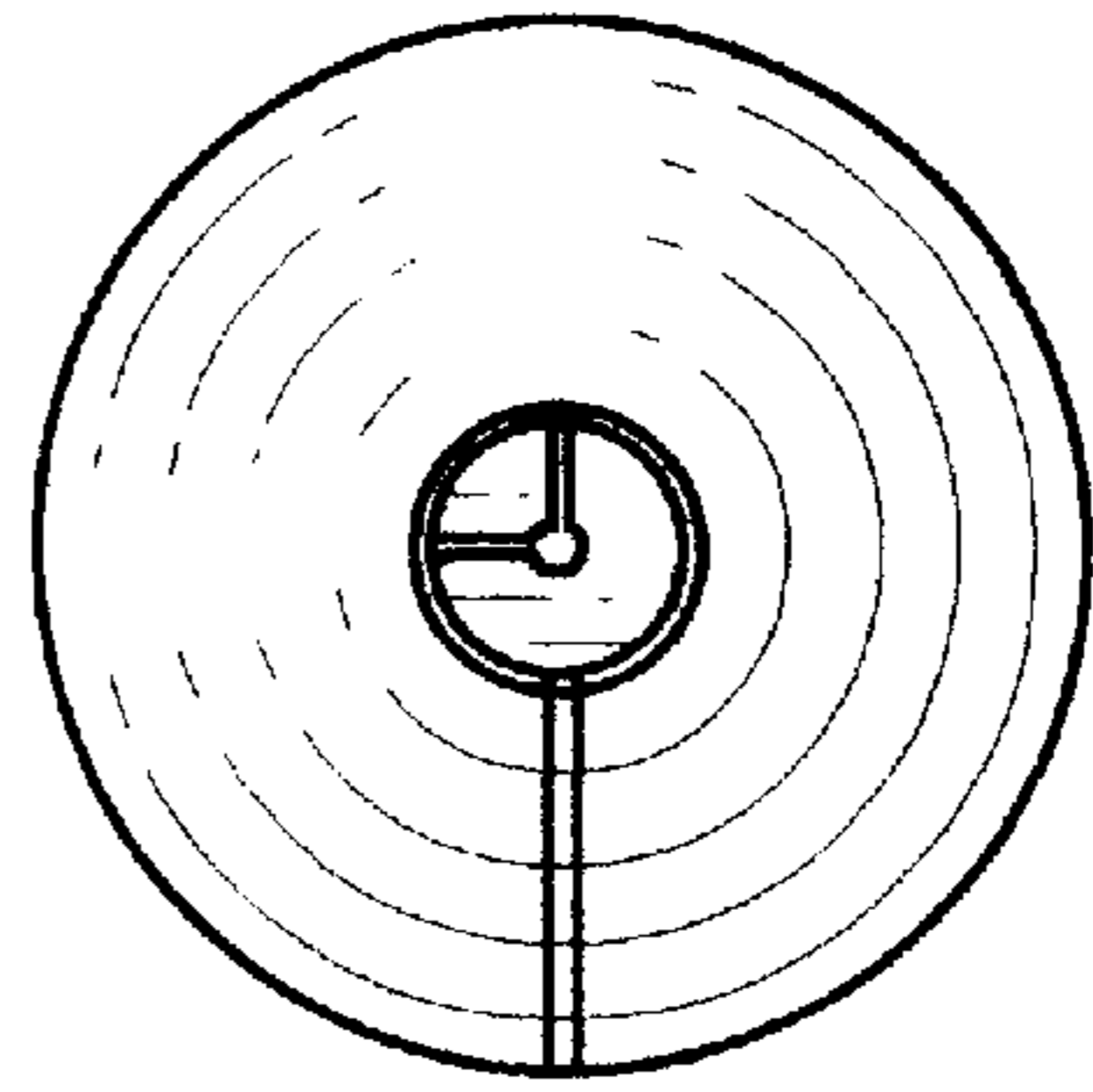


Fig. 2

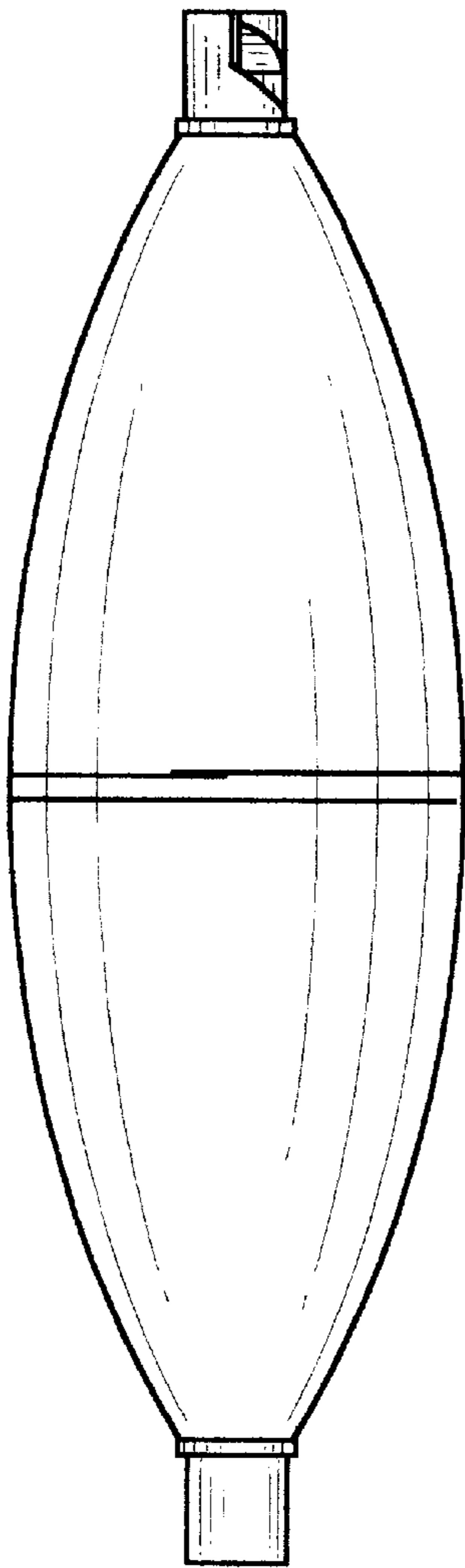


Fig. 3

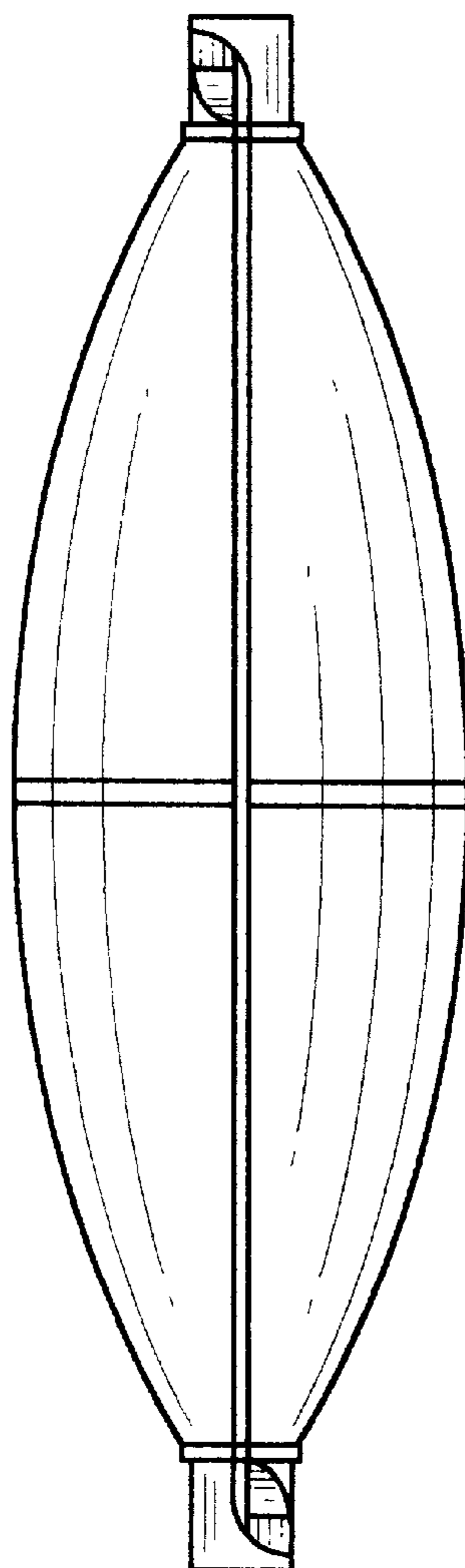


Fig. 4

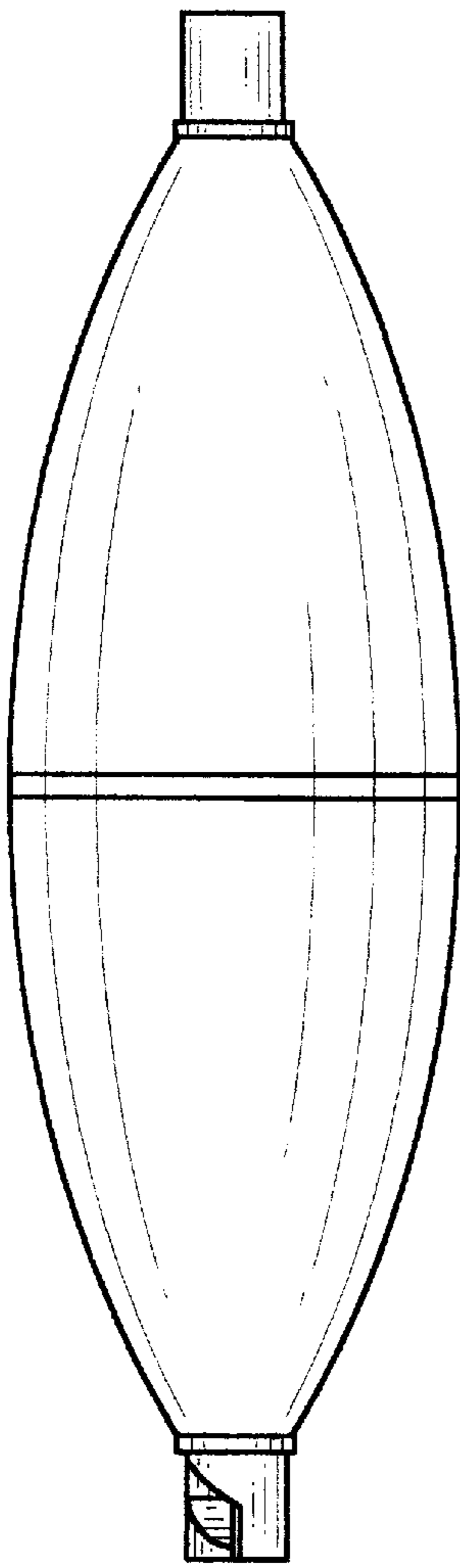


Fig. 5

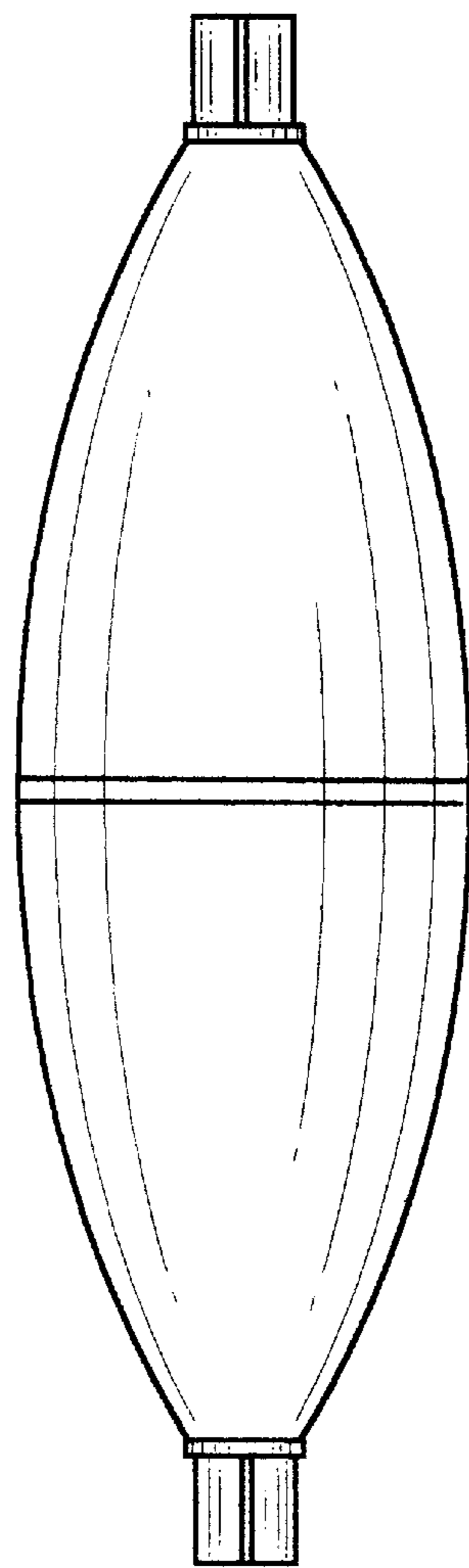


Fig. 6

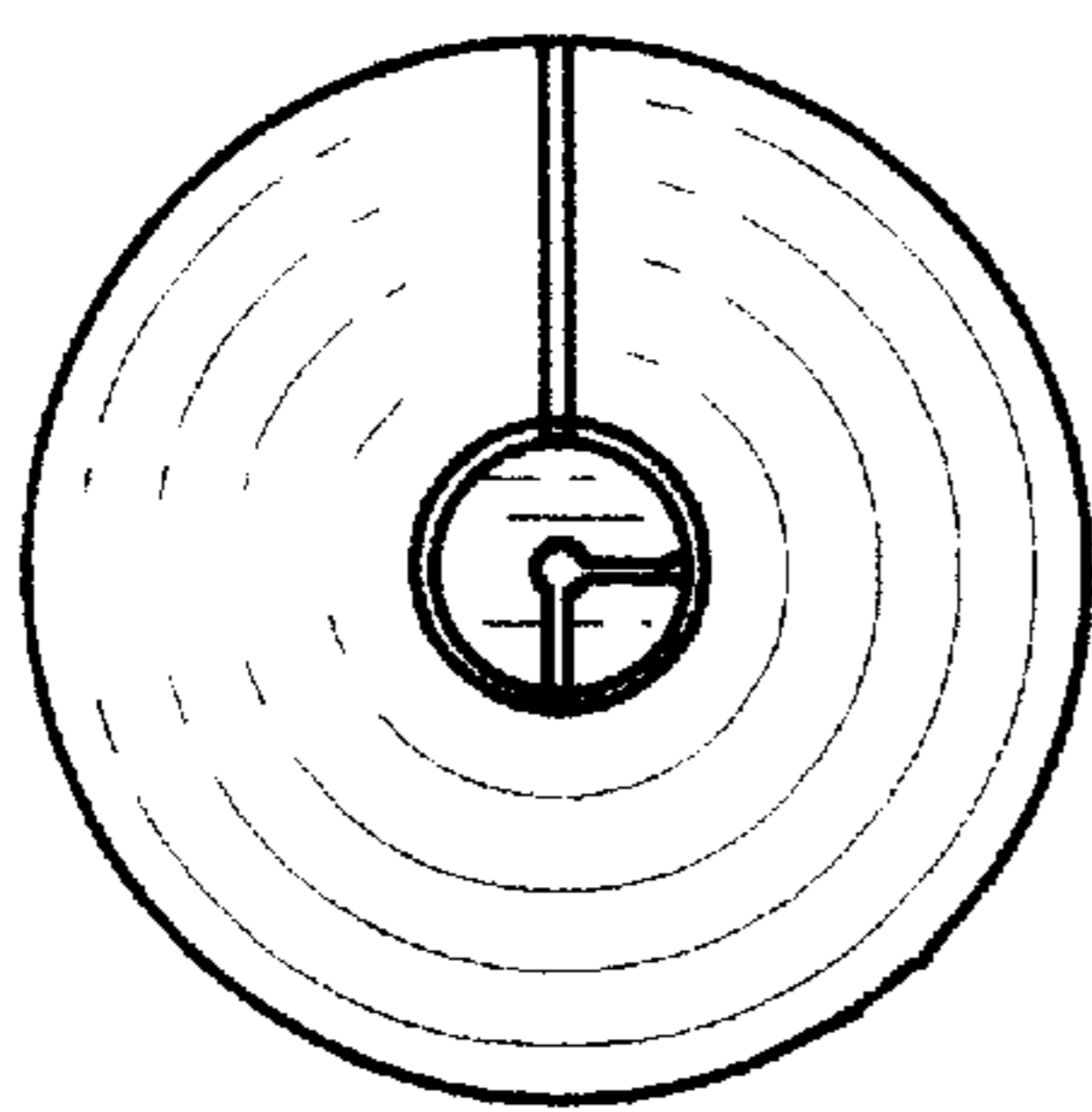


Fig. 7