



US00D442254S

(12) **United States Design Patent**
Konno

(10) **Patent No.:** **US D442,254 S**

(45) **Date of Patent:** **** May 15, 2001**

(54) **COMBINED BUG CATCHER AND VIEWER**

4,817,330 * 4/1989 Fahringer 43/133

(75) Inventor: **Junichi Konno**, Tokyo-to (JP)

* cited by examiner

(73) Assignee: **Shin Nihon Tsusho Kabushiki Kaisha**,
Tokyo (JP)

Primary Examiner—Louis S. Zarfaz
Assistant Examiner—Catherine R. Oliver
(74) *Attorney, Agent, or Firm*—Pyle & Piontek

(**) Term: **14 Years**

(57) **CLAIM**

(21) Appl. No.: **29/116,263**

The ornamental design for combined bug catcher and viewer, as shown and described.

(22) Filed: **Dec. 28, 1999**

(51) **LOC (7) Cl.** **22-06**

(52) **U.S. Cl.** **D22/122**

(58) **Field of Search** D22/122, 119,
D22/120, 123; 43/139, 132.1, 112, 113,
124, 133; D21/568, 570, 572, 573, 574,
575

DESCRIPTION

(56) **References Cited**

U.S. PATENT DOCUMENTS

- D. 309,759 * 8/1990 Mak D21/572
- D. 339,841 * 9/1993 Gelinas D22/122
- D. 348,715 * 7/1994 Warner D22/122
- D. 349,554 * 8/1994 Yates D22/119
- 2,893,161 * 7/1959 Reid 43/139

FIG. 1 is top and side perspective view of my design of a combined bug catcher & viewer.
 FIG. 2 is a top and side perspective view thereof with the broken line showing of environment being for illustrative purposes only and forming no part of the claimed design;
 FIG. 3 is a front side view thereof.
 FIG. 4 is a rear side view thereof.
 FIG. 5 is a right side view thereof.
 FIG. 6 is a left side view thereof.
 FIG. 7 is a top plan view thereof; and,
 FIG. 8 is a bottom view thereof.

1 Claim, 8 Drawing Sheets

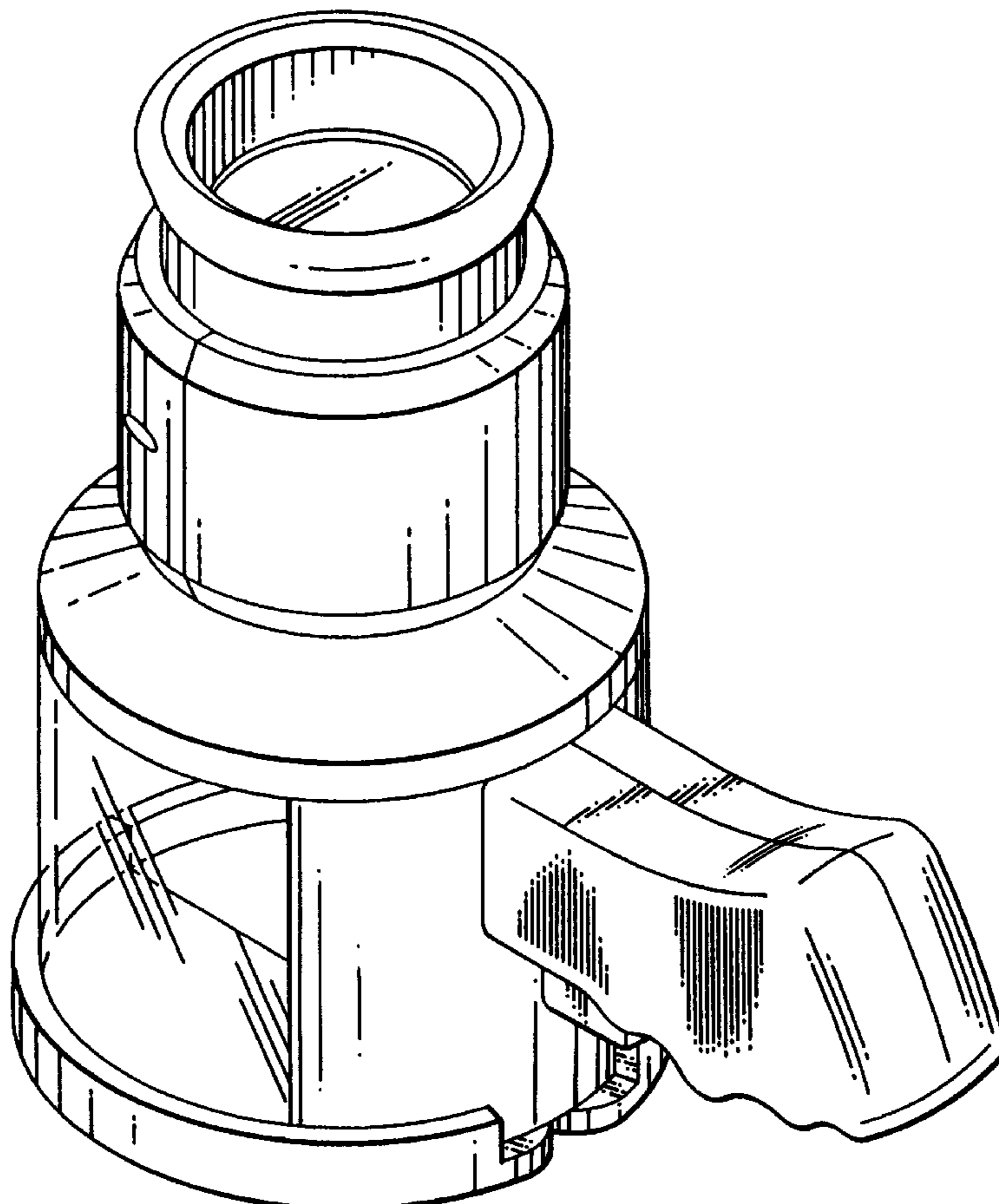


FIG. 1

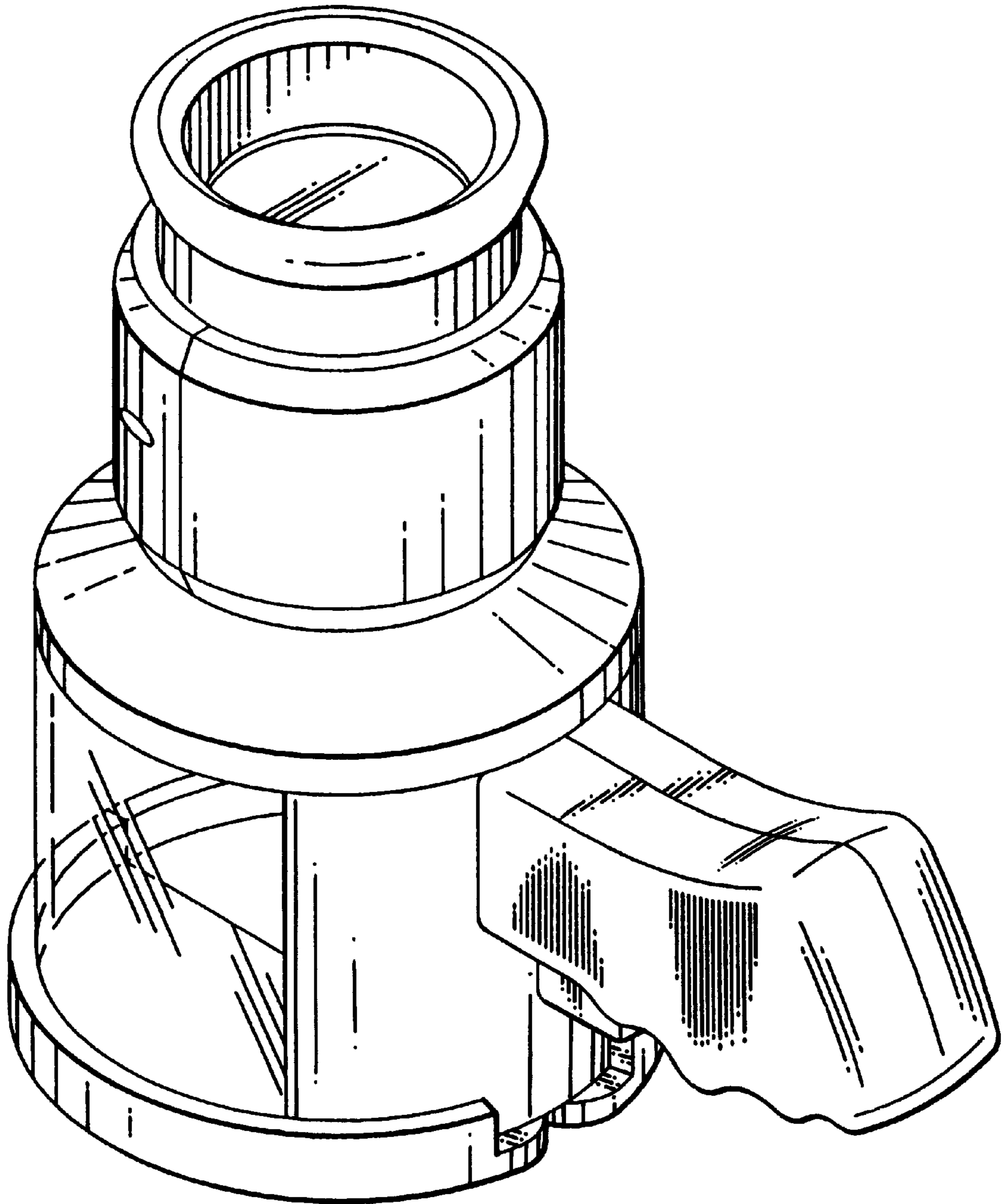


FIG. 2

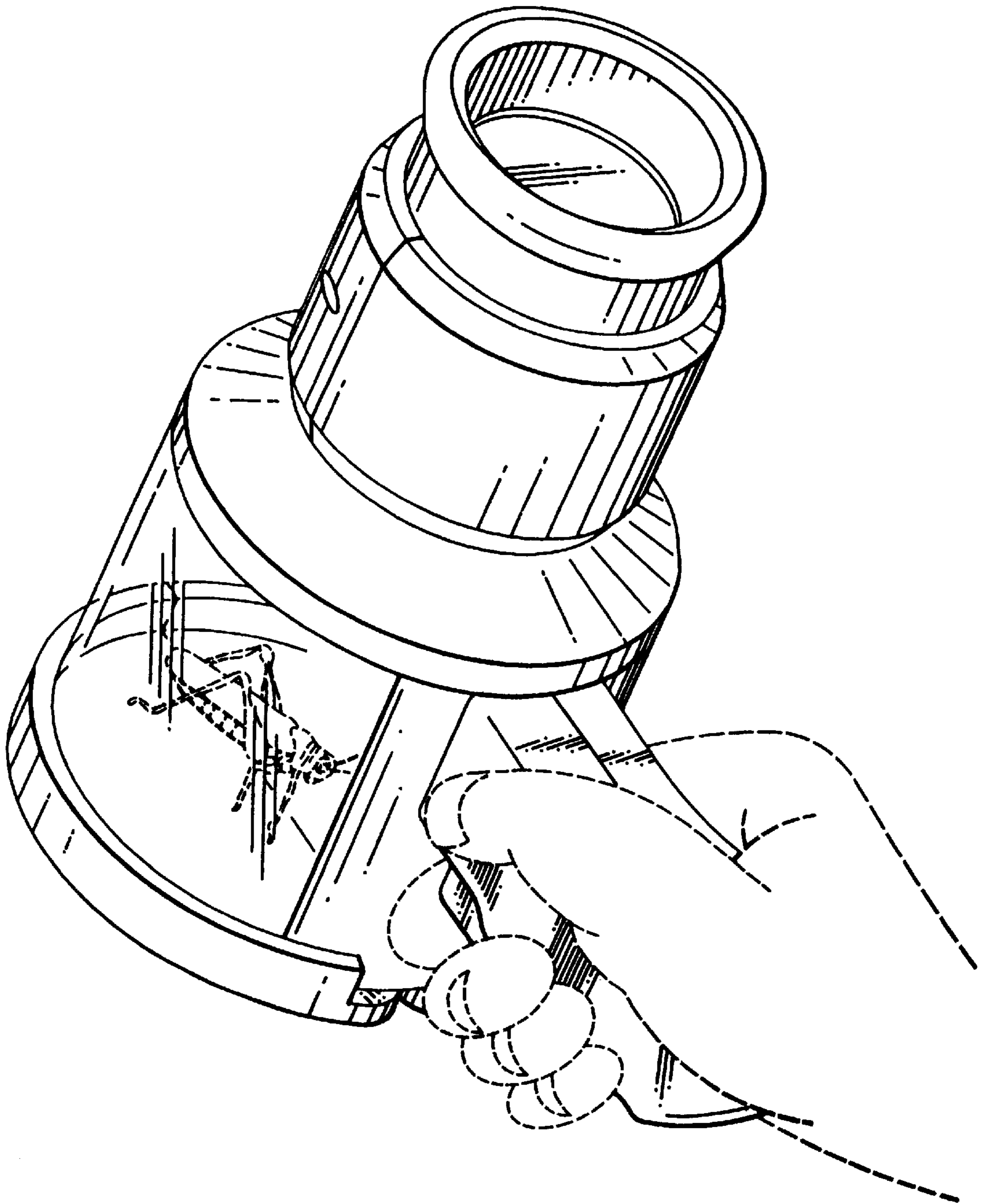


FIG. 3

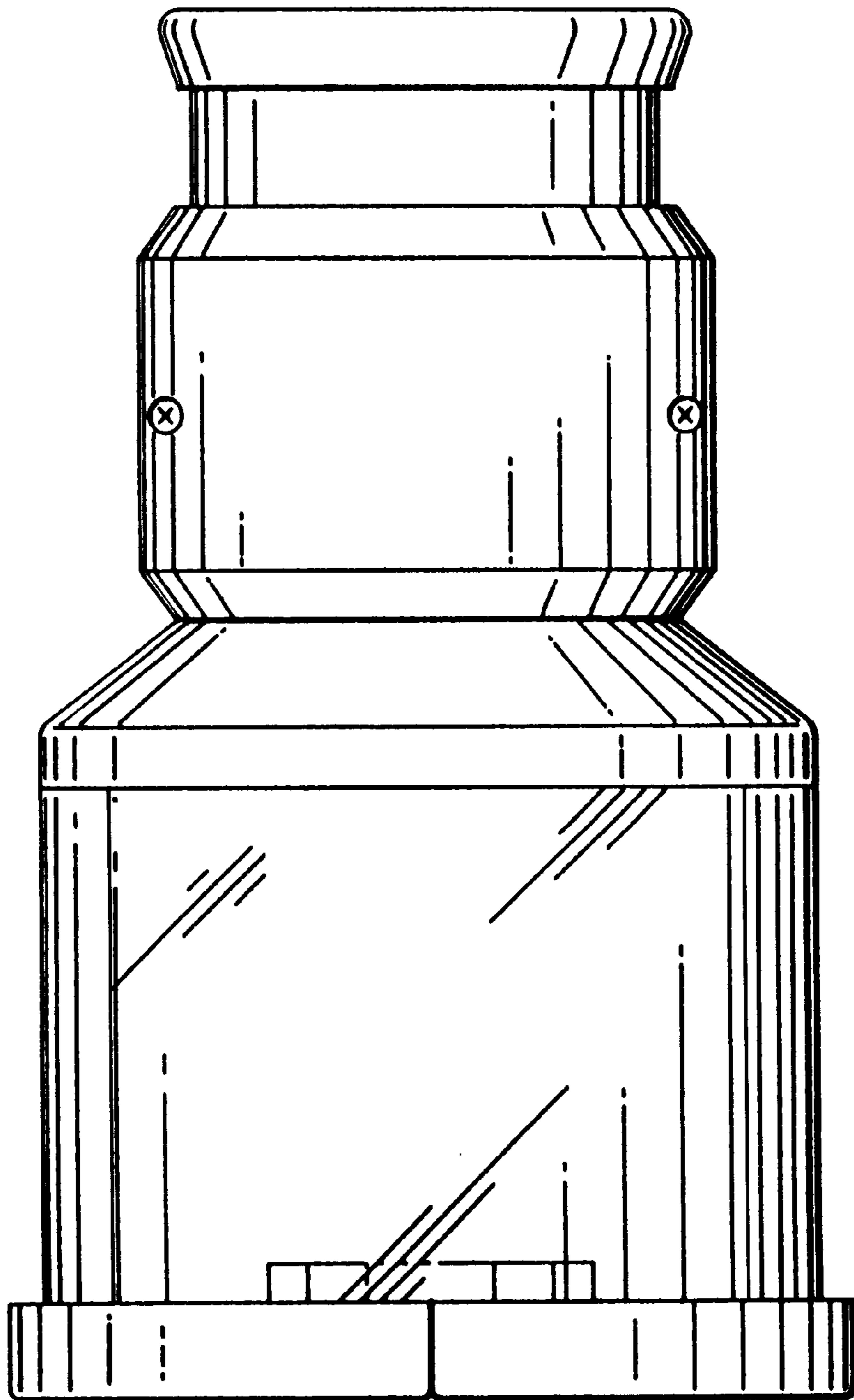


FIG. 4

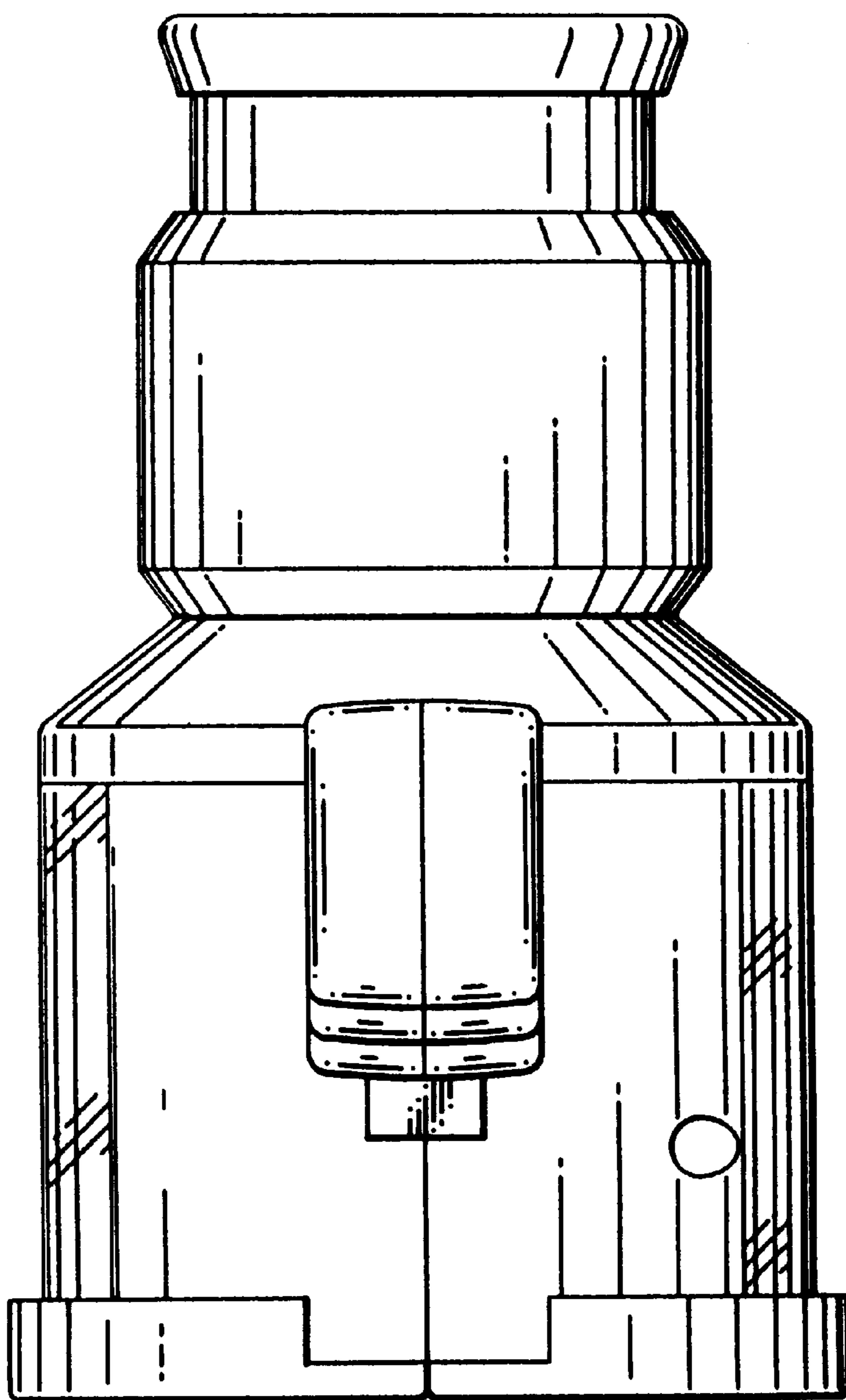


FIG. 5

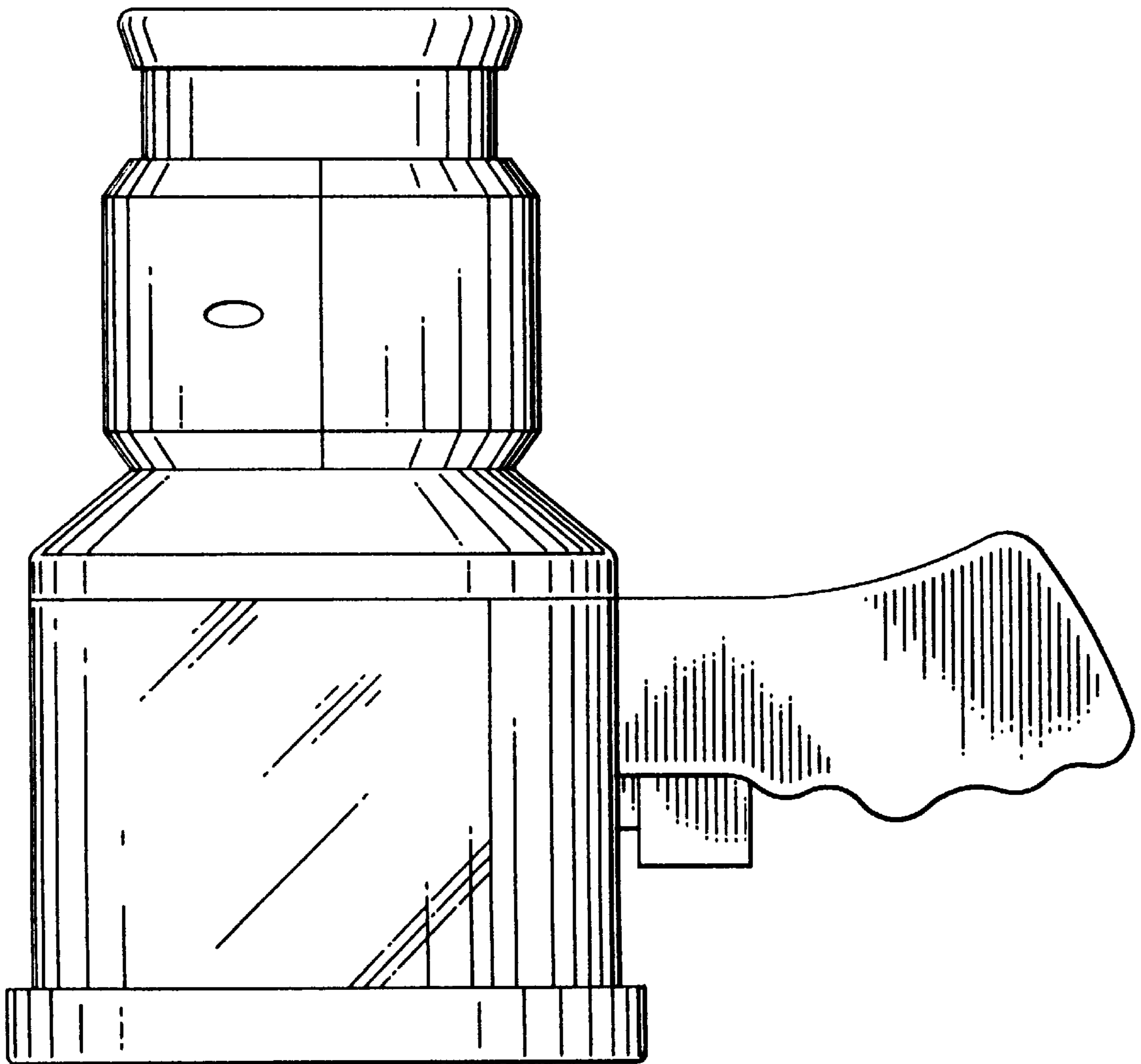


FIG. 6

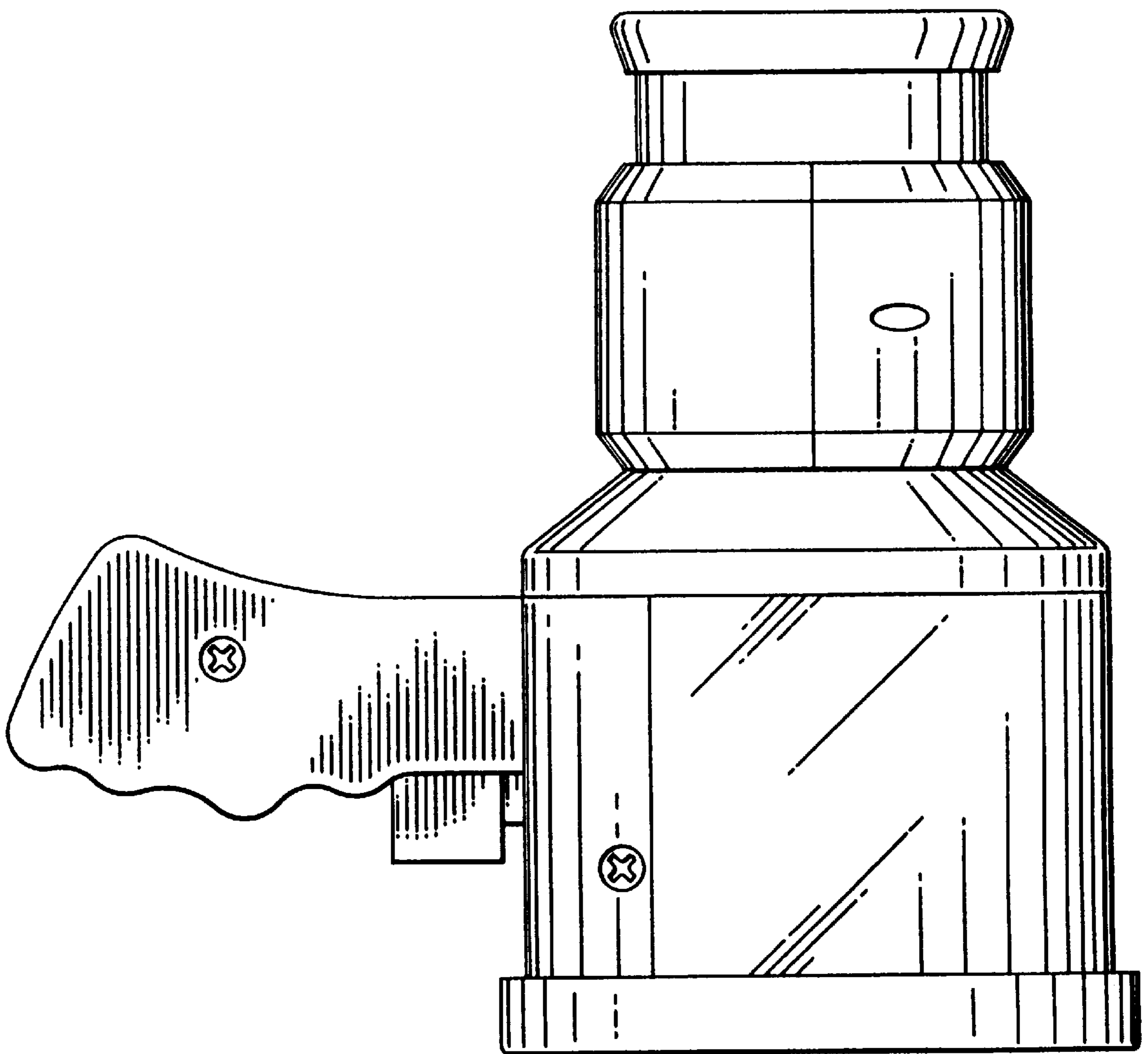


FIG. 7

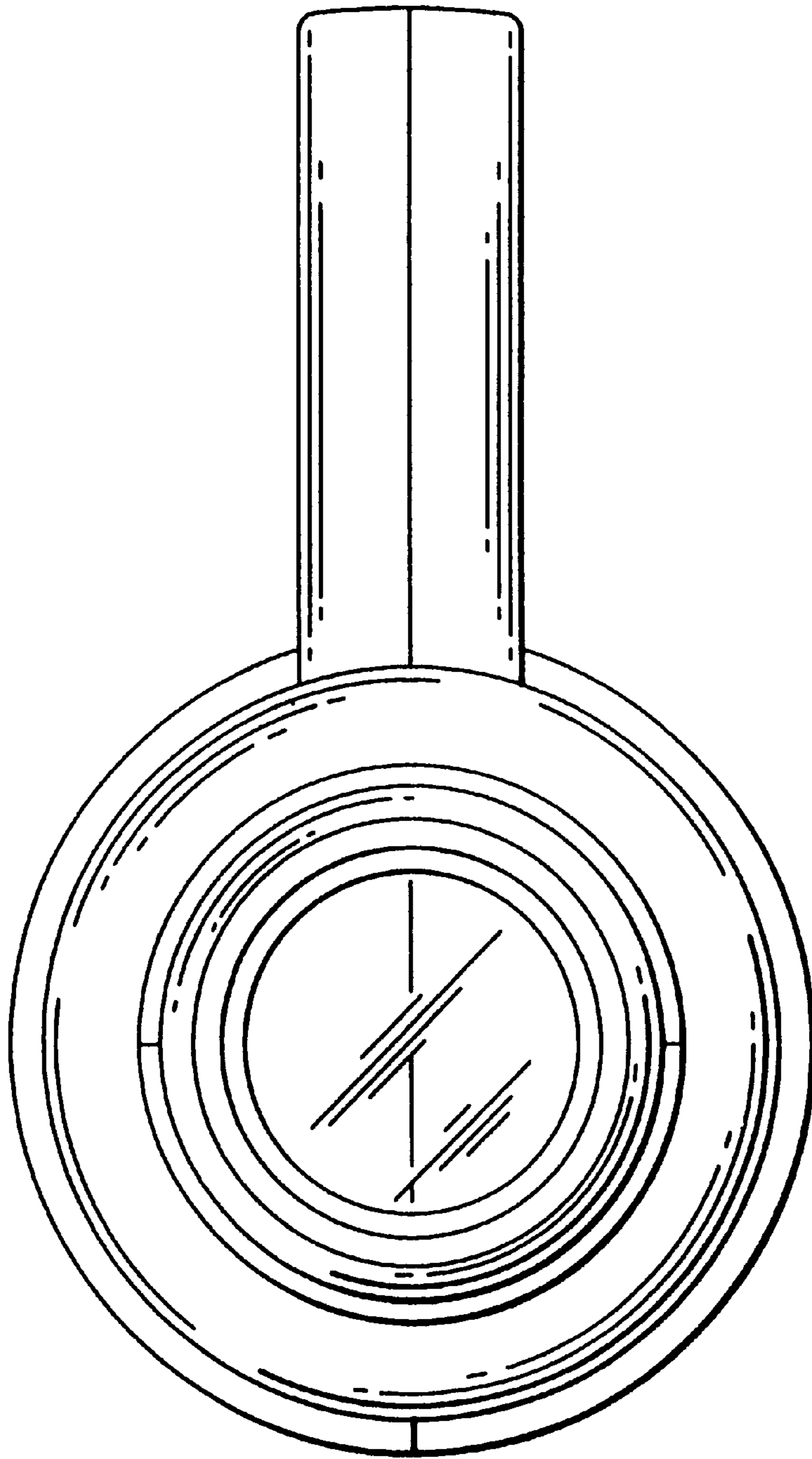


FIG. 8

