



US00D442253S

(12) **United States Design Patent**
Marshall

(10) **Patent No.:** **US D442,253 S**

(45) **Date of Patent:** **** May 15, 2001**

(54) **SHARPENED NOSE PENETRATOR**

4,716,834 * 1/1988 Wallow et al. 102/519

(75) Inventor: **Thomas C. Marshall**, Milpitas, CA
(US)

* cited by examiner

(73) Assignee: **Lockheed Martin Corporation**,
Bethesda, MD (US)

Primary Examiner—Louis S. Zarfes
Assistant Examiner—Monica Weingart

(**) Term: **14 Years**

(74) *Attorney, Agent, or Firm*—Burns, Doane, Swecker &
Mathis, LLP

(21) Appl. No.: **29/120,418**

(57) **CLAIM**

(22) Filed: **Mar. 21, 2000**

The ornamental design for a sharpened nose penetrator, as
shown and described.

(51) **LOC (7) Cl.** **22-03**

DESCRIPTION

(52) **U.S. Cl.** **D22/115**

(58) **Field of Search** D22/115, 116;
102/501, 517, 518, 519, 521, 524; D19/51

FIG. 1 is a perspective view showing my new design;

FIG. 2 is a side view thereof;

FIG. 3 is an front end view thereof;

FIG. 4 is an rear end view thereof;

FIG. 5 is a side view of an alterative embodiment of my new
design; and,

FIG. 6 is a front end view thereof.

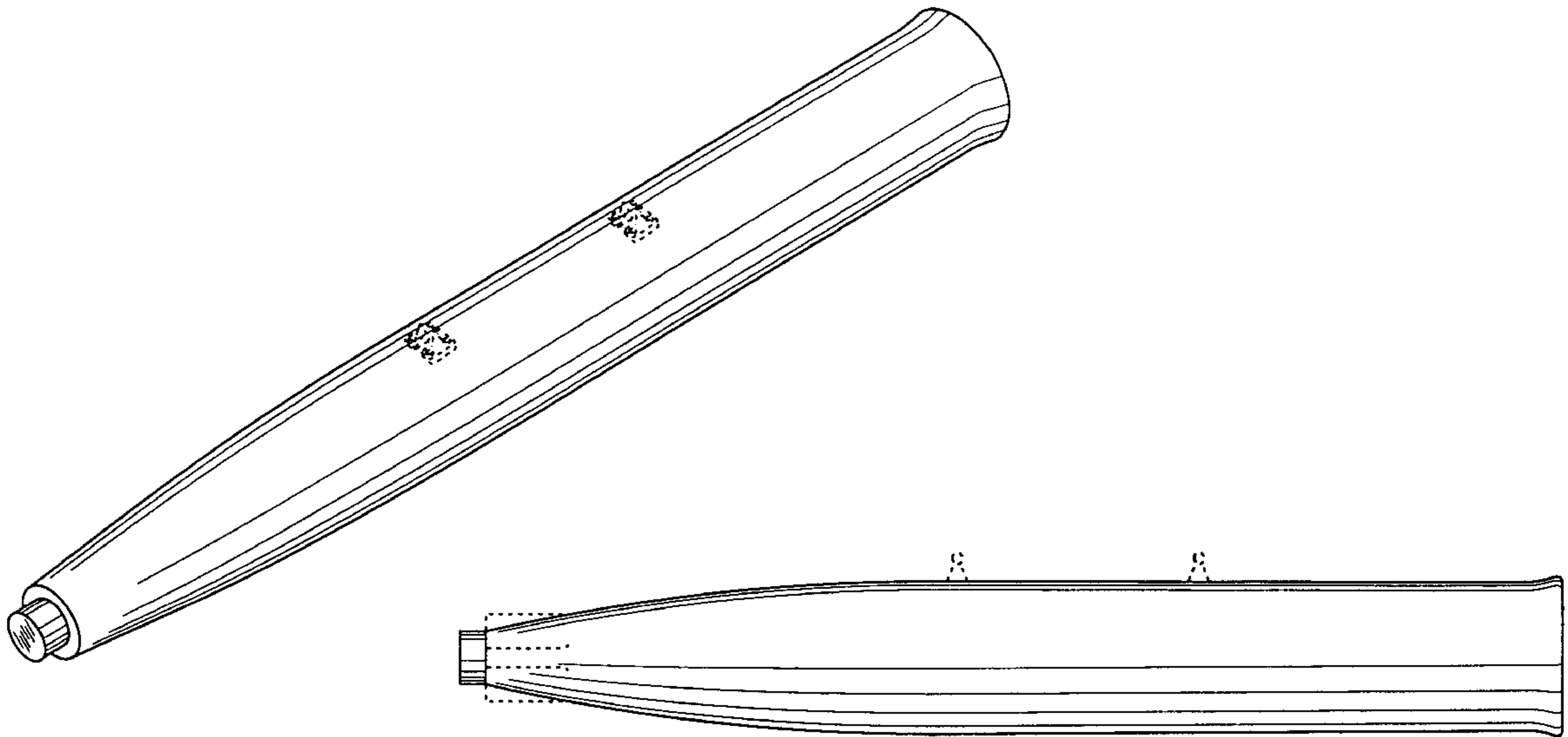
(56) **References Cited**

U.S. PATENT DOCUMENTS

D. 427,239	*	6/2000	Senda	D19/51
465,230	*	12/1891	Wilson, Jr.	102/519
1,069,237	*	8/1913	Douglass	102/519
2,892,411	*	6/1959	Brown et al.	102/517
4,085,678	*	4/1978	Heincker	102/519

The broken line showing of external hardware in FIGS. 1–6
is for illustrative purposes only and forms no part of the
claimed design.

1 Claim, 3 Drawing Sheets



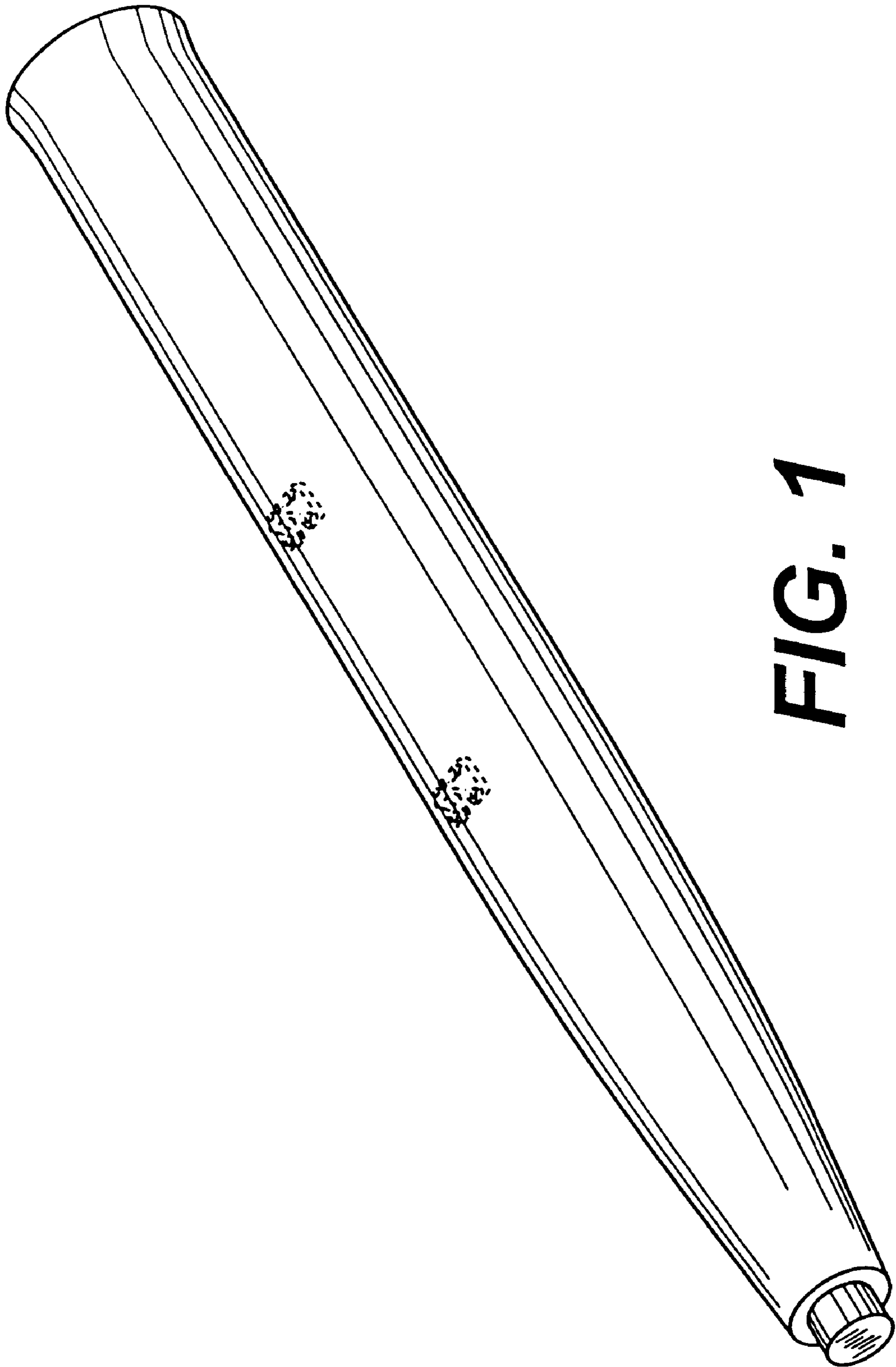


FIG. 1

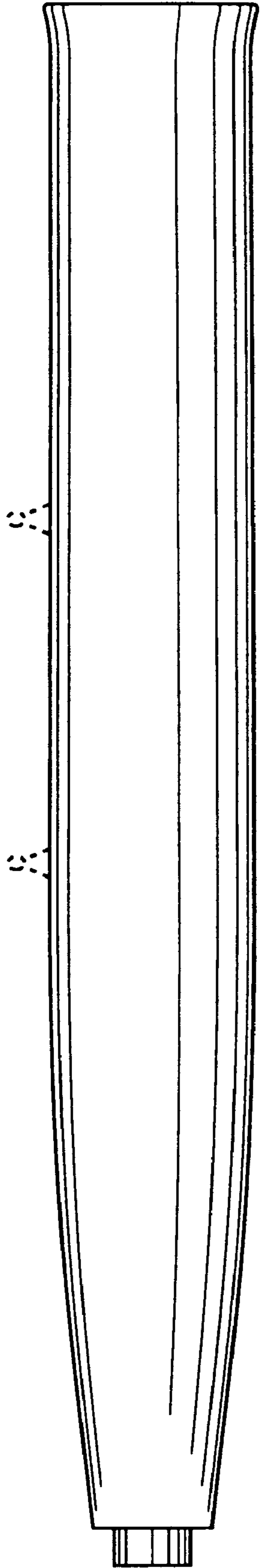


FIG. 2

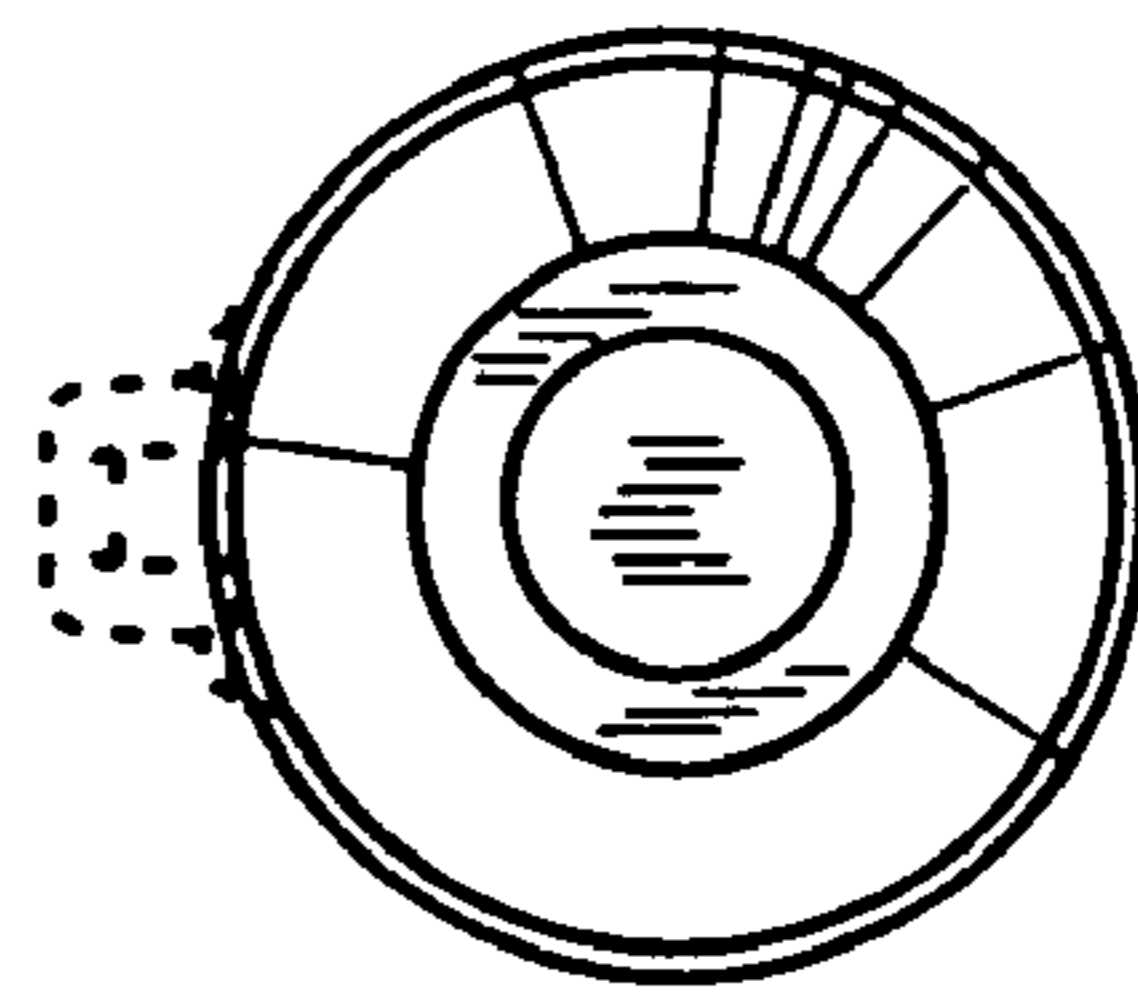


FIG. 3

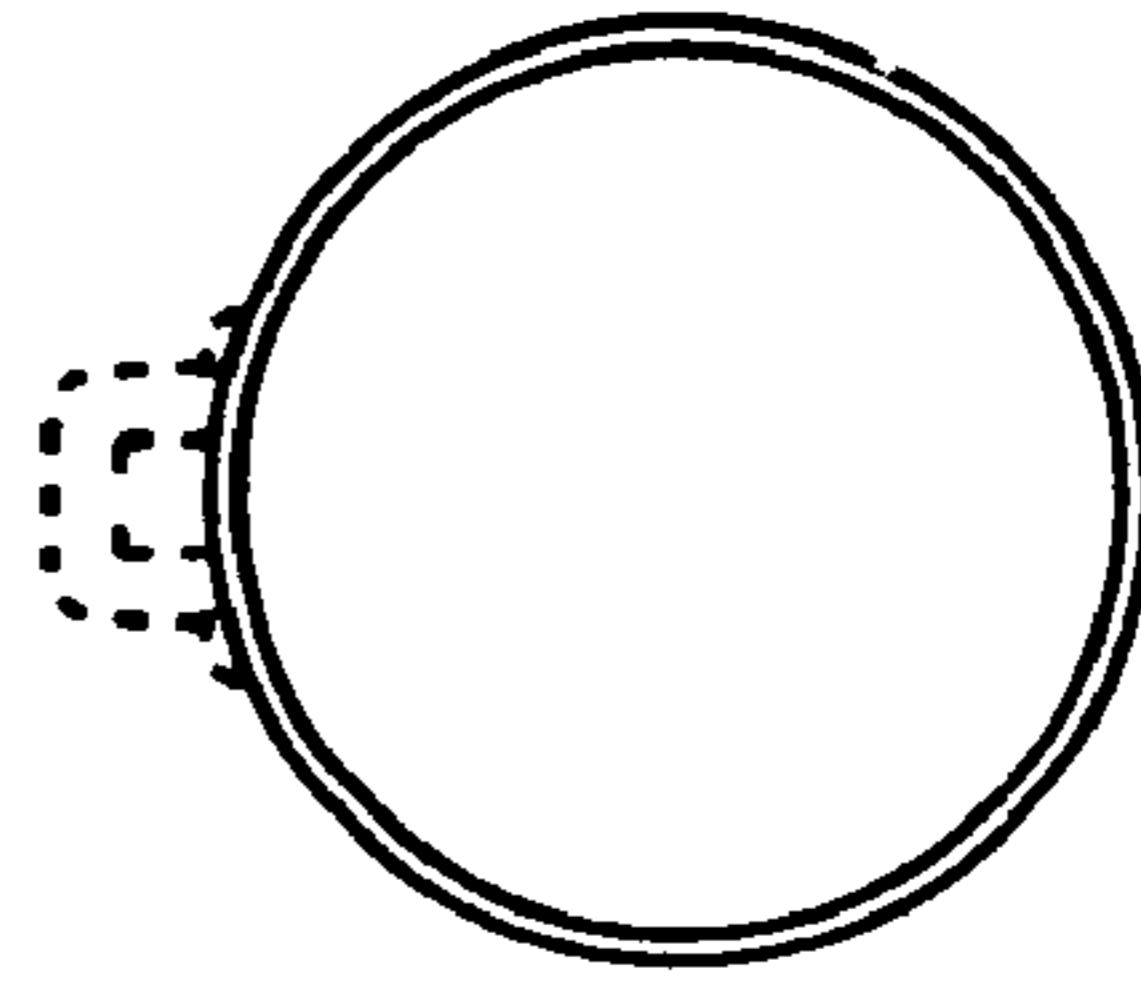


FIG. 4

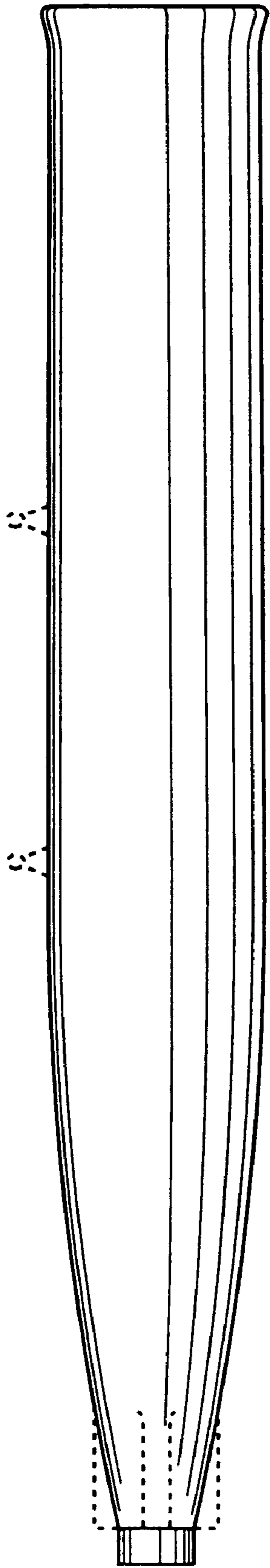


FIG. 5

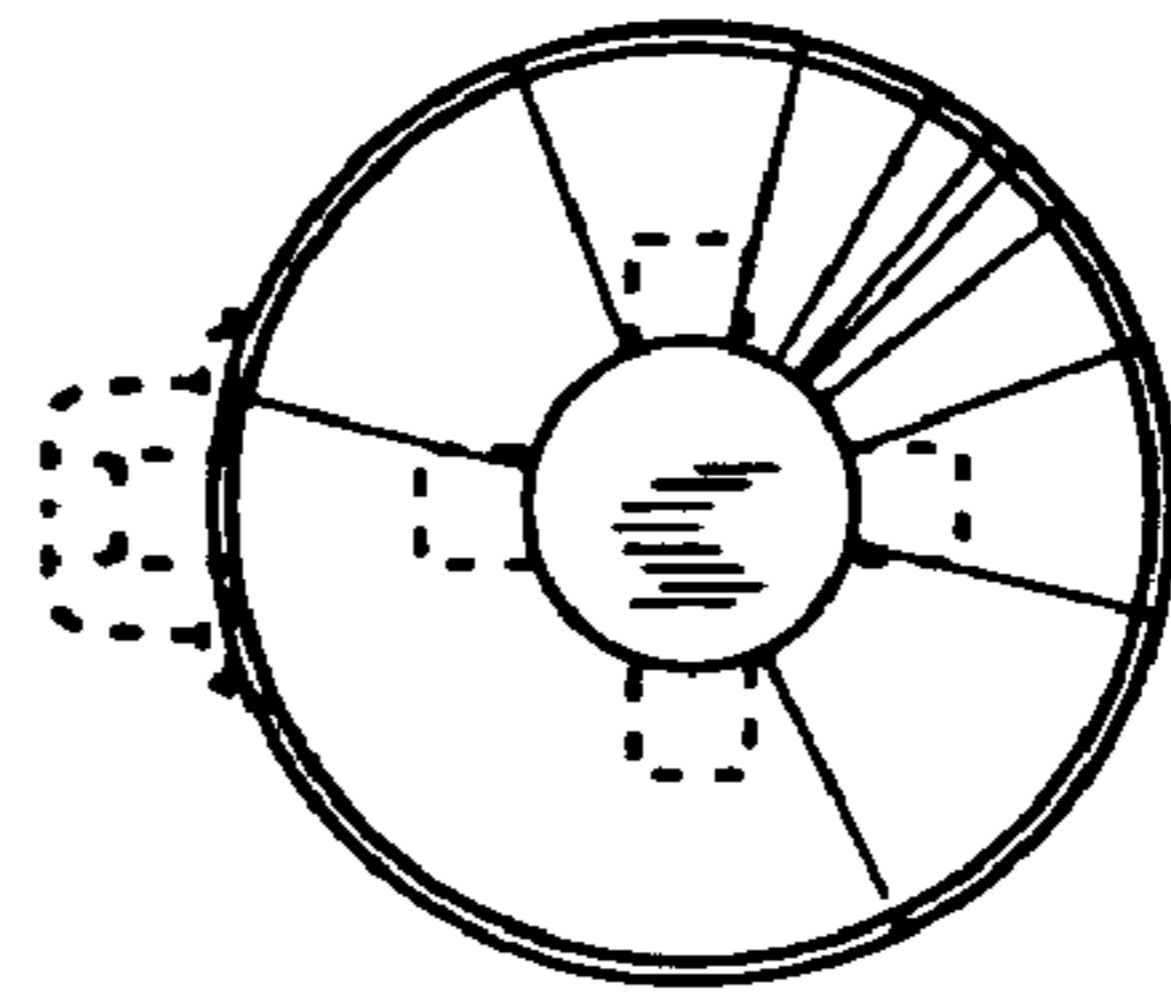


FIG. 6