



US00D442251S

(12) **United States Design Patent**  
**Fitzgerald, Jr.**

(10) **Patent No.:** **US D442,251 S**

(45) **Date of Patent:** **\*\* May 15, 2001**

(54) **ARCHERY BOW STABILIZER**

6,021,770 \* 2/2000 Sodaro ..... 124/89

(75) Inventor: **James J. Fitzgerald, Jr.**, Revena, KY  
(US)

\* cited by examiner

*Primary Examiner*—Louis S. Zarfes  
*Assistant Examiner*—Monica A. Weingart

(73) Assignee: **X-Ring Archery Products, Inc.**,  
Richmond, KY (US)

(74) *Attorney, Agent, or Firm*—Carrithers Law Office;  
David W. Carrithers

(\*\*) Term: **14 Years**

(57) **CLAIM**

(21) Appl. No.: **29/121,202**

The ornamental design for an archery bow stabilizer, as shown and described.

(22) Filed: **Mar. 31, 2000**

**DESCRIPTION**

(51) **LOC (7) Cl.** ..... **22-01**

(52) **U.S. Cl.** ..... **D22/107; D22/100; D22/199**

(58) **Field of Search** ..... D22/100, 107,  
D22/199; 124/89

FIG. 1 is a elevated side view of an archery bow stabilizer in accordance with my design;  
FIG. 2 is a top plan view thereof;  
FIG. 3 is a bottom plan view thereof;  
FIG. 4 is a front end view thereof;  
FIG. 5 is a rear end view thereof;  
FIG. 6 is a perspective view thereof; and,  
FIG. 7 is a side view thereof showing the archery bow stabilizer mounted to an archery bow shown in phantom lines.

(56) **References Cited**

**U.S. PATENT DOCUMENTS**

D. 406,300	*	3/1999	Fitzgerald, Jr.	.....	D22/107
4,640,258	*	2/1987	Penney et al.	.....	124/89 X
5,090,396	*	2/1992	Bickel et al.	.....	124/89
5,460,156	*	10/1995	Sappington	.....	124/89
5,611,325	*	3/1997	Kudlacek	.....	124/89

The archery bow shown in phantom lines are for illustrative purposes only and are not part of the claimed design.

**1 Claim, 3 Drawing Sheets**

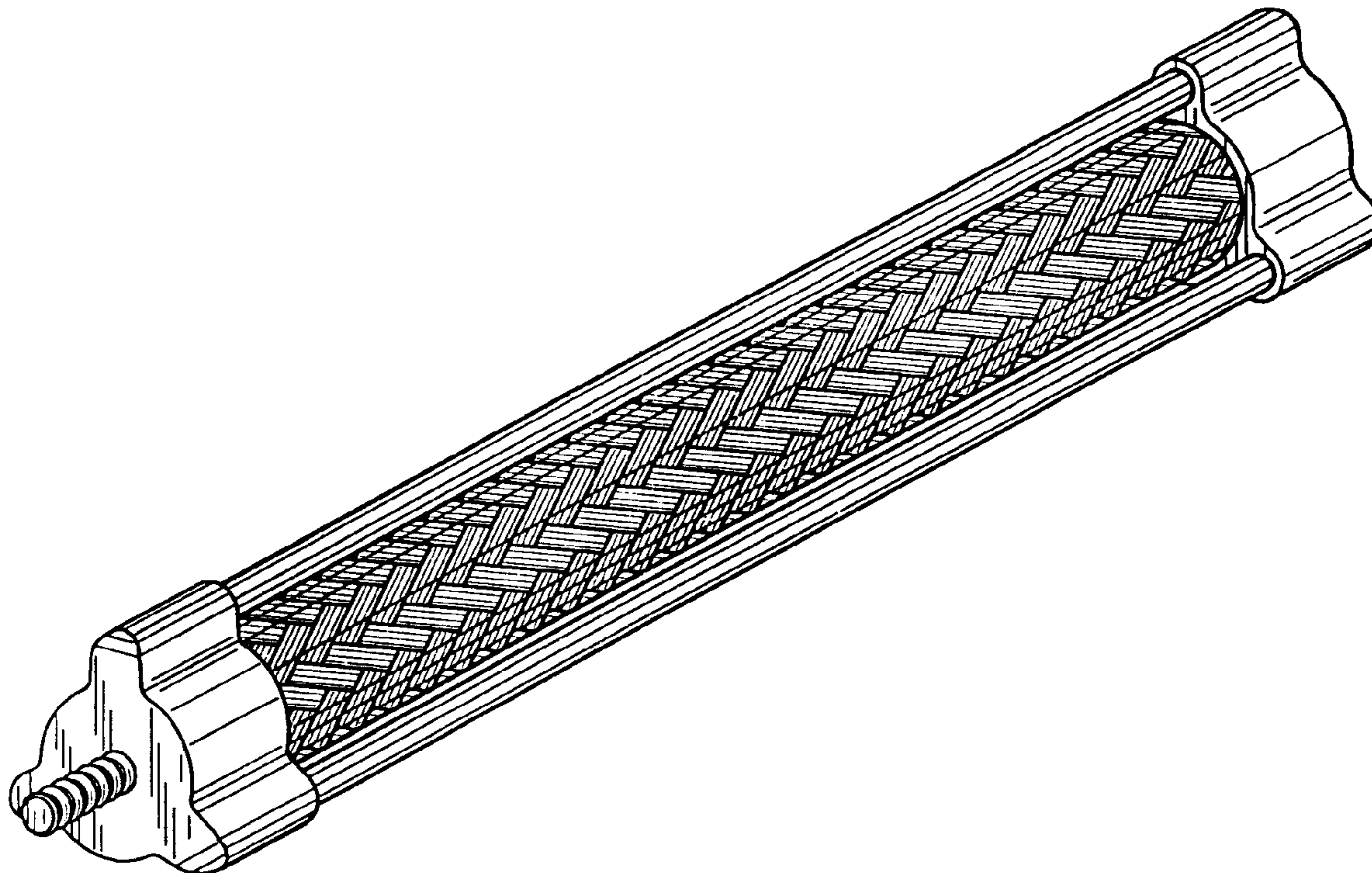


FIG. 1

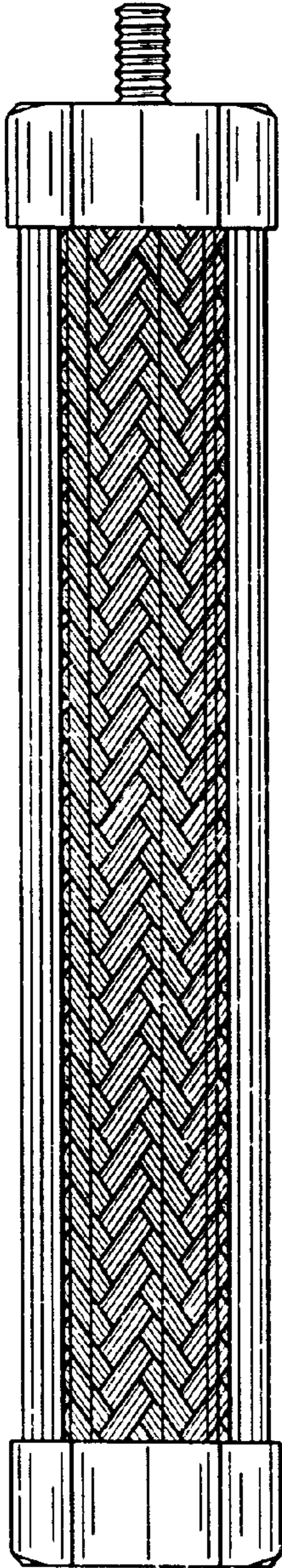


FIG. 2

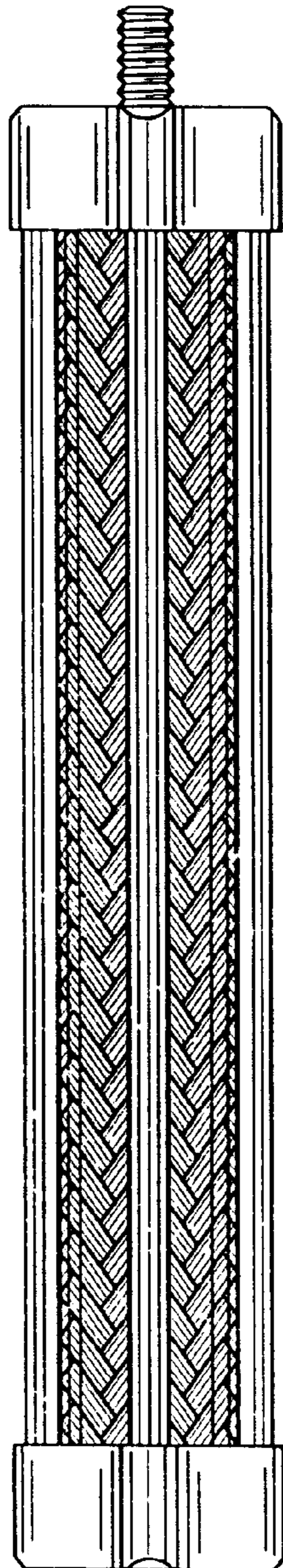


FIG. 3

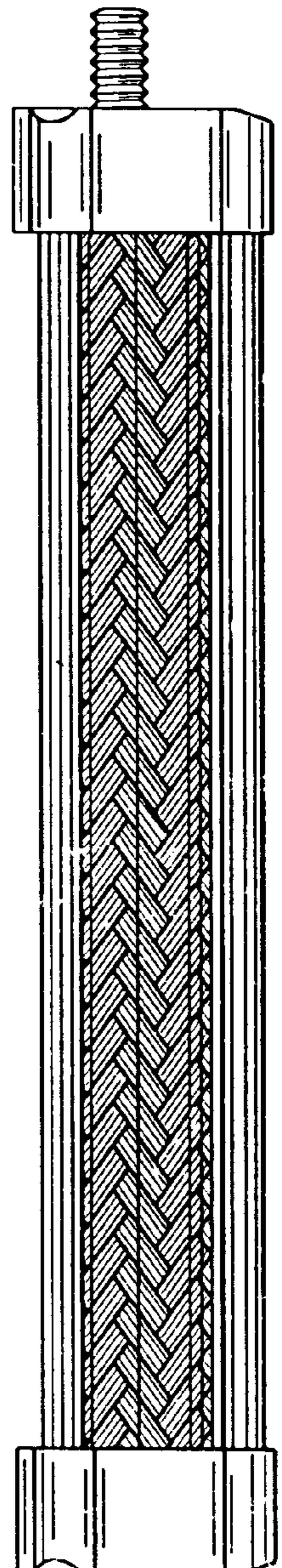


FIG. 4

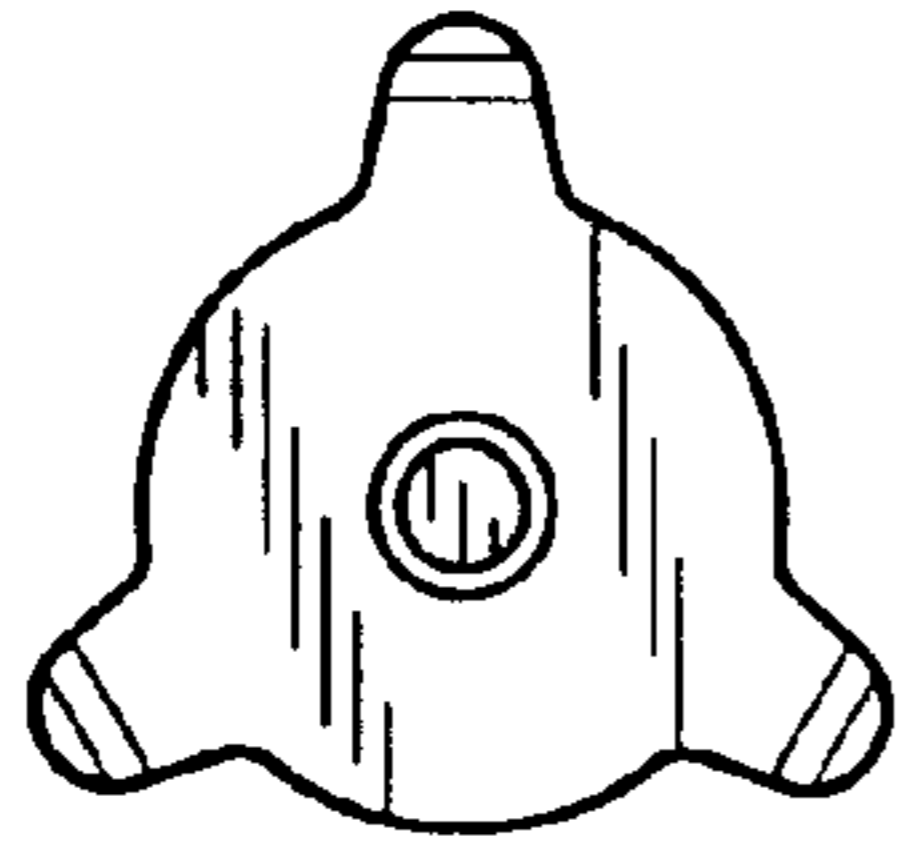


FIG. 5

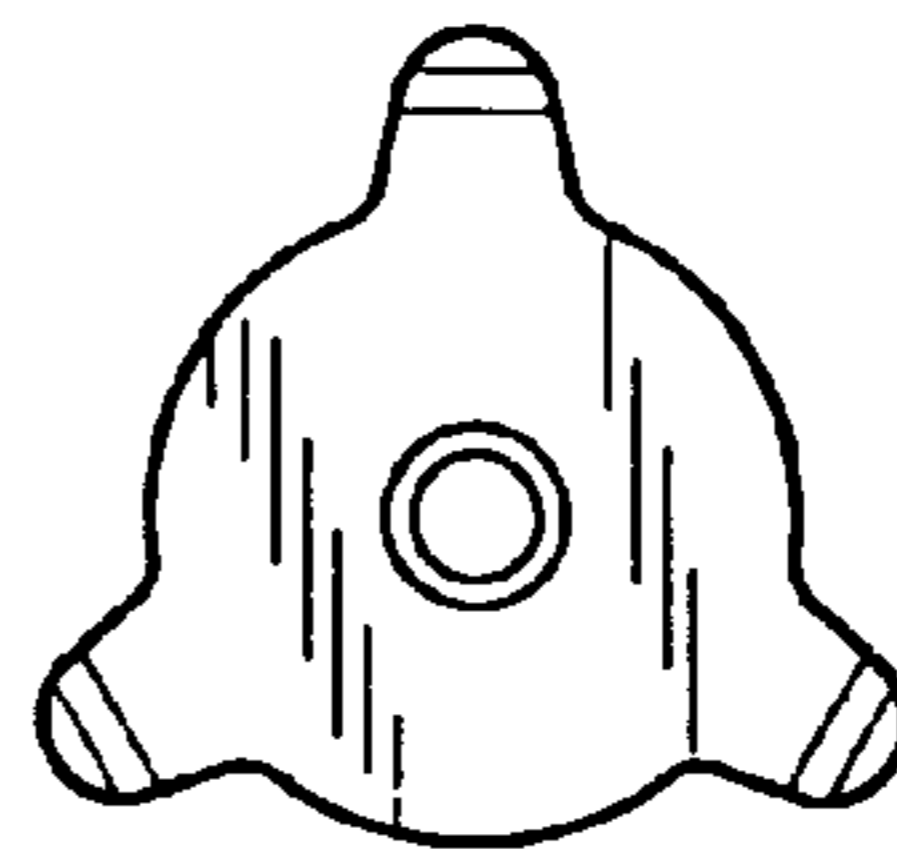


FIG. 6

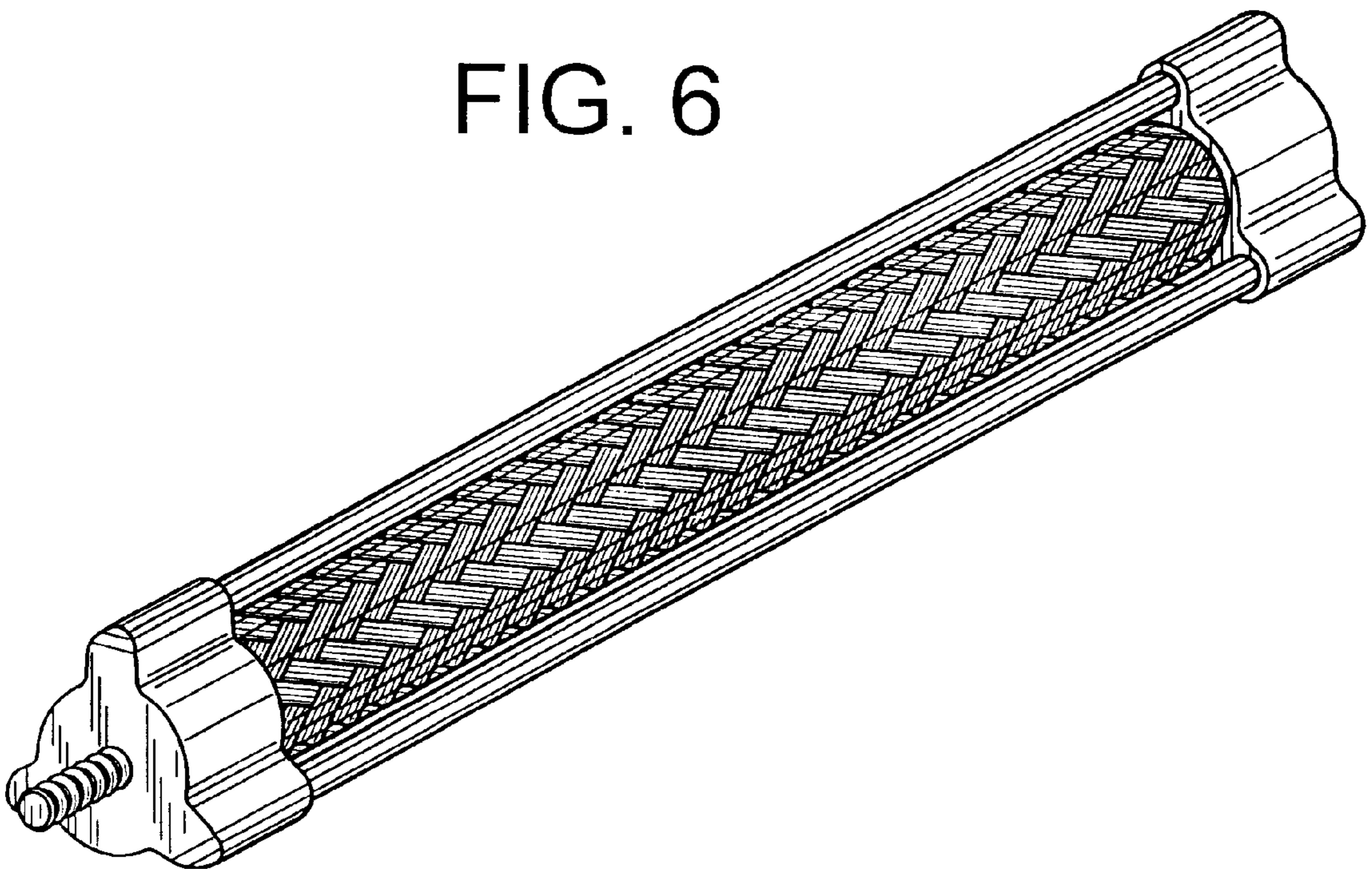


FIG. 7

