



US00D442250S

(12) **United States Design Patent**  
**Leung**

(10) **Patent No.:** **US D442,250 S**

(45) **Date of Patent:** **\*\* May 15, 2001**

(54) **COG SPINNING TOY**

(75) Inventor: **Shu-Wa Leung**, Tsuen Wan (CN)

(73) Assignee: **Hop Lee Cheong Industrial Company Limited**, Hong Kong (CN)

(\*\*) Term: **14 Years**

(21) Appl. No.: **29/116,765**

(22) Filed: **Jan. 10, 2000**

(51) **LOC (7) Cl.** ..... **21-02**

(52) **U.S. Cl.** ..... **D21/811**

(58) **Field of Search** ..... D21/811, 455-464,  
D21/398, 566, 475; 74/413, 416, 421 R,  
421 A; 446/429

(56) **References Cited**

**U.S. PATENT DOCUMENTS**

D. 405,480 \* 2/1999 Yamazaki ..... D21/475

\* cited by examiner

*Primary Examiner*—Mitchell Siegel

(74) *Attorney, Agent, or Firm*—Alix, Yale & Ristas, LLP

(57) **CLAIM**

The ornamental design for a cog spinning toy, as shown and described.

**DESCRIPTION**

FIG. 1 is a perspective view of a cog spinning toy showing my new design;

FIG. 2 is a front elevational view thereof;

FIG. 3 is a left side elevational view thereof,

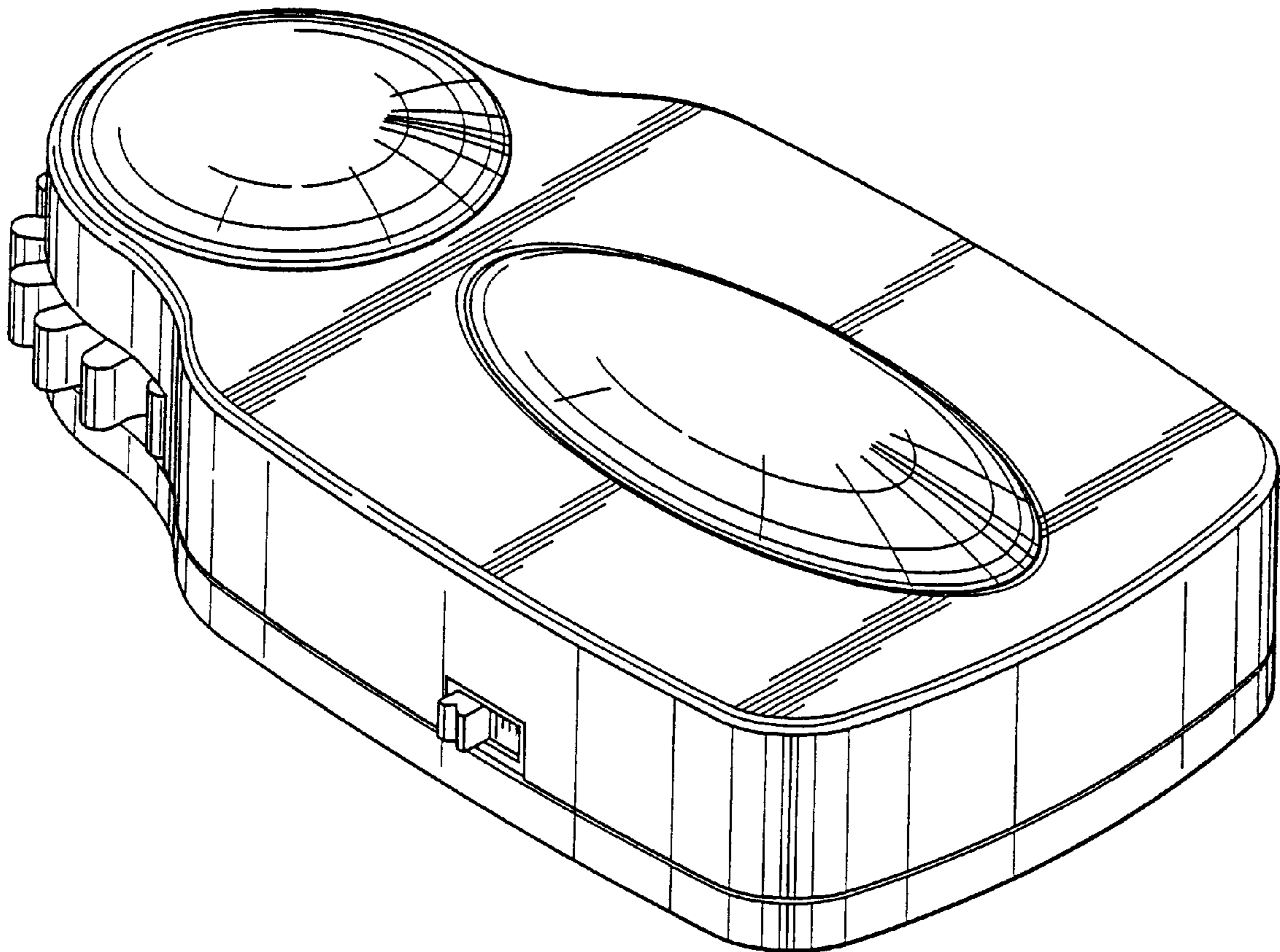
FIG. 4 is a top plan view thereof;

FIG. 5 is a rear elevational view thereof;

FIG. 6 is a right side elevational view thereof; and,

FIG. 7 is a bottom plan view thereof.

**1 Claim, 3 Drawing Sheets**



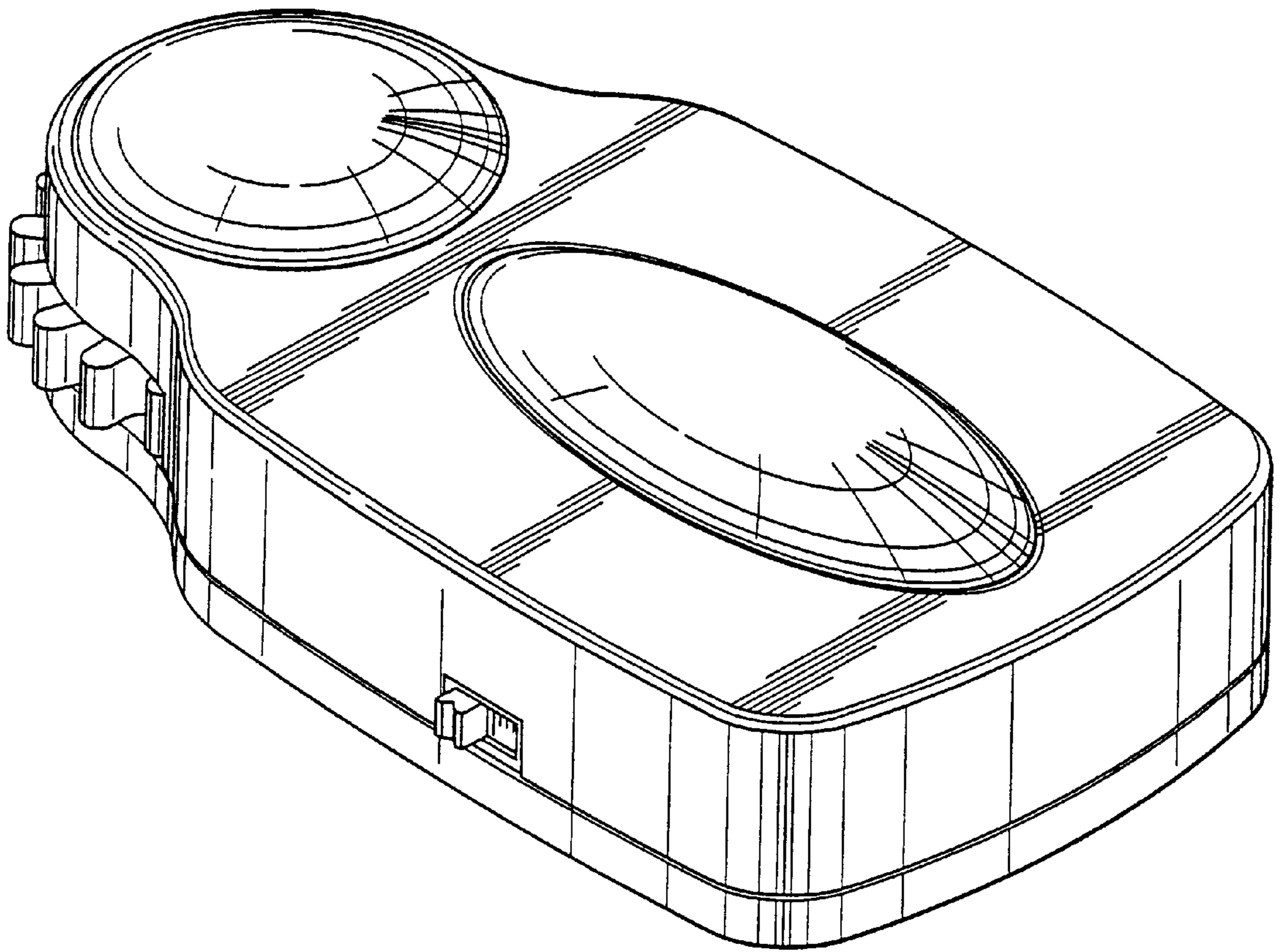


FIG. 1

FIG. 4

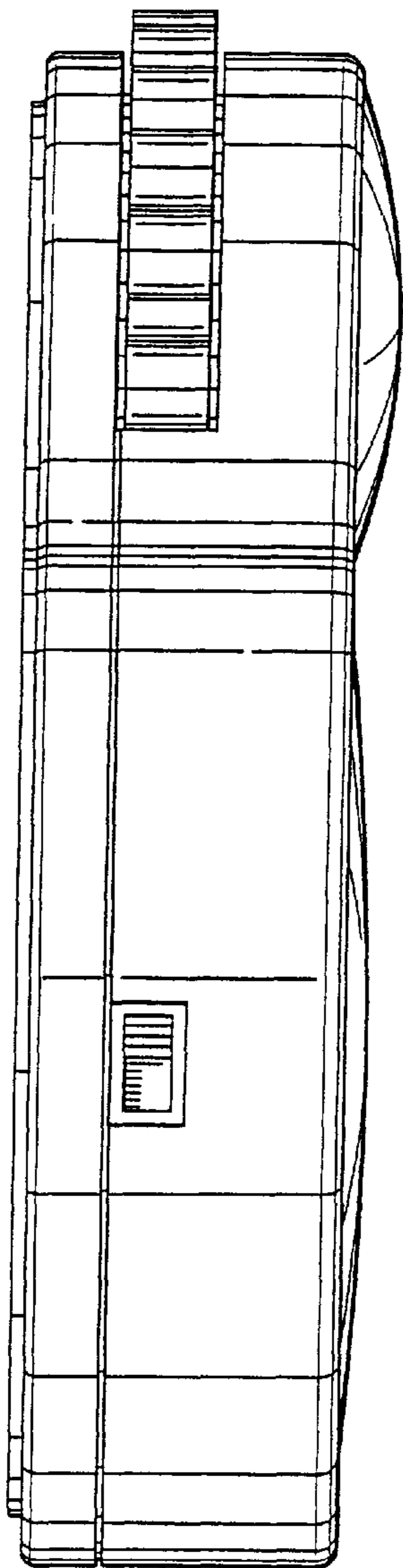
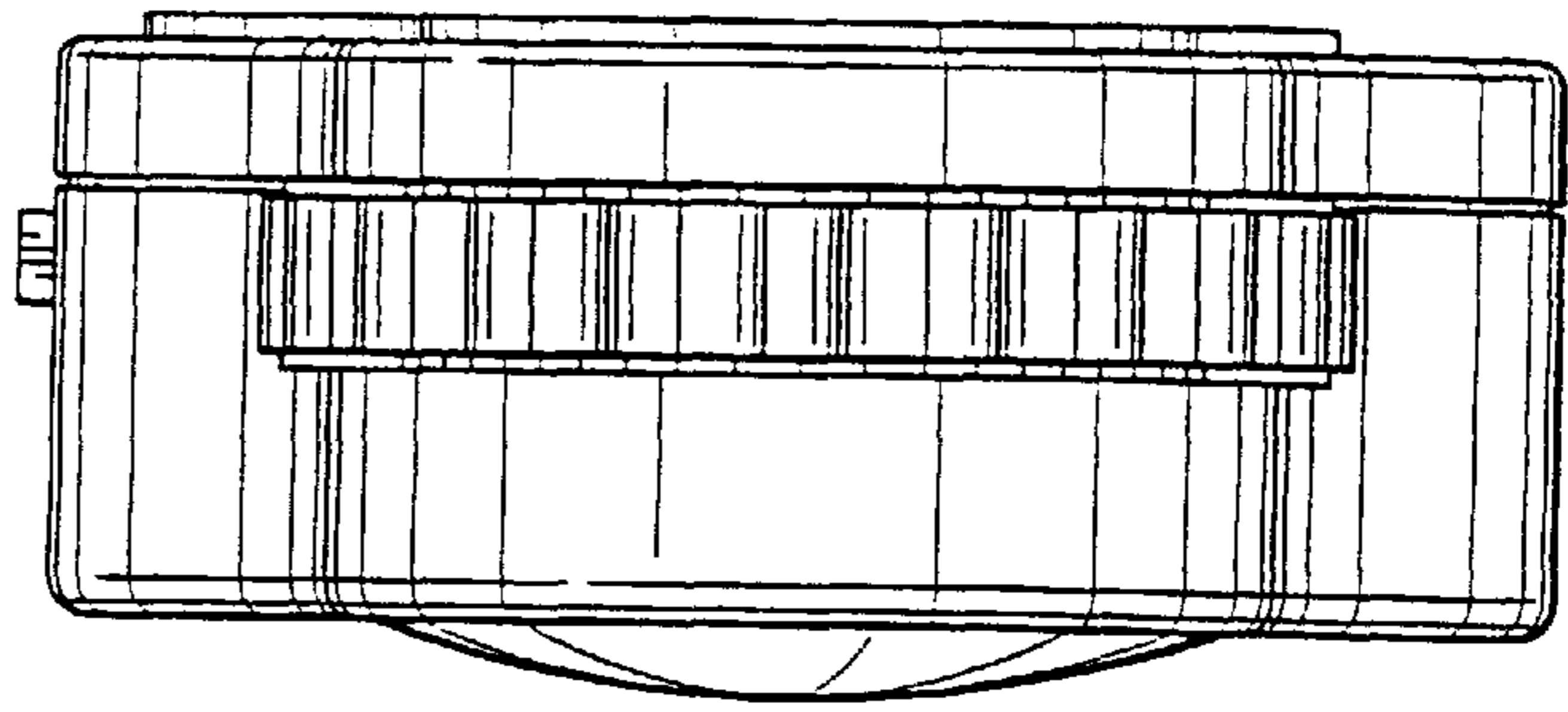


FIG. 3

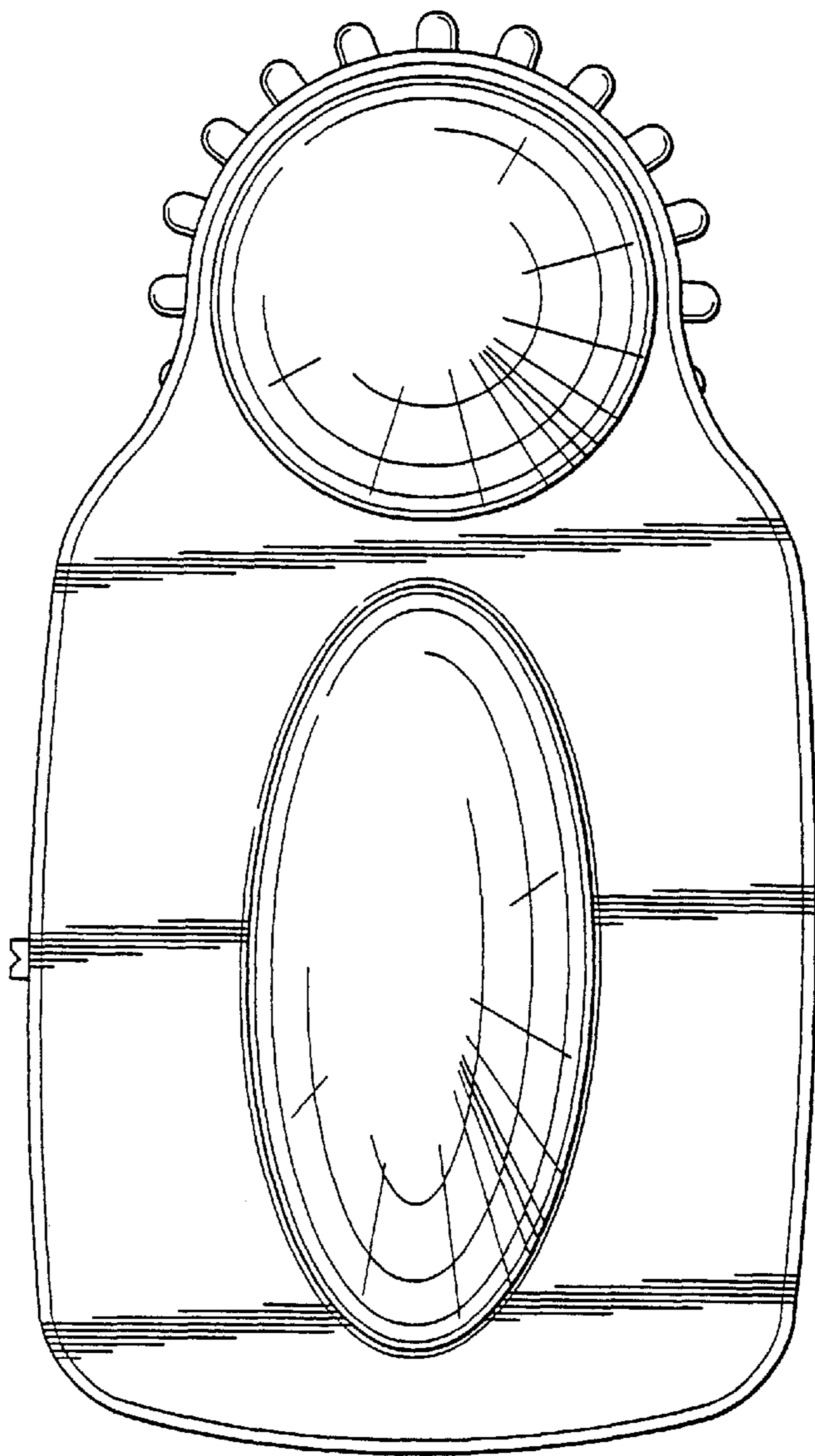


FIG. 2

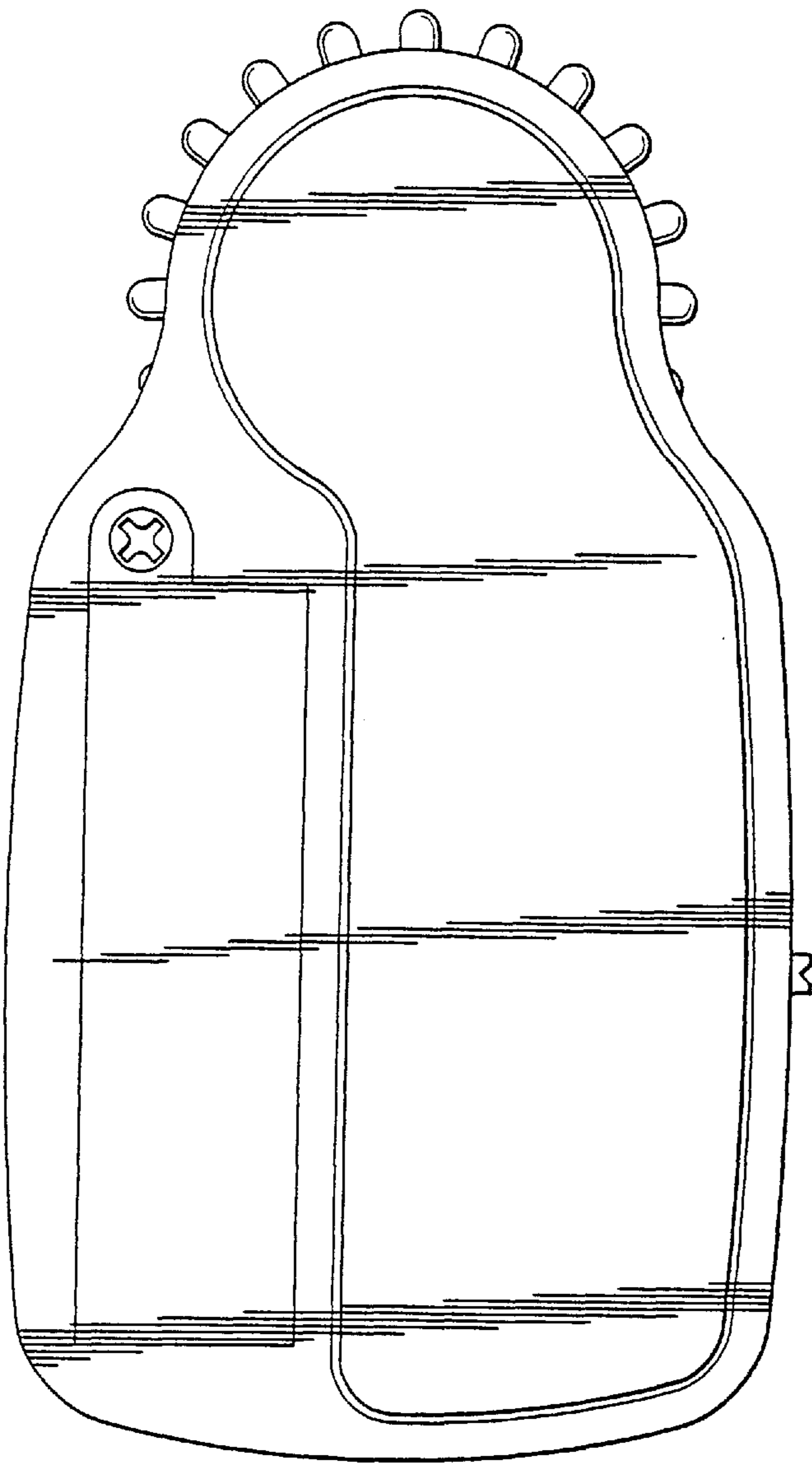


FIG. 5

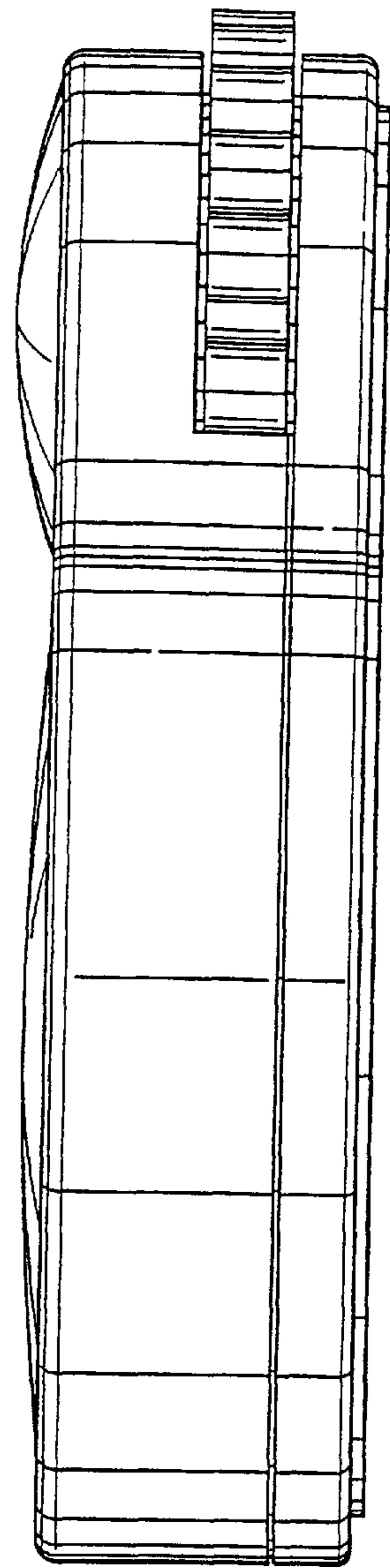


FIG. 6

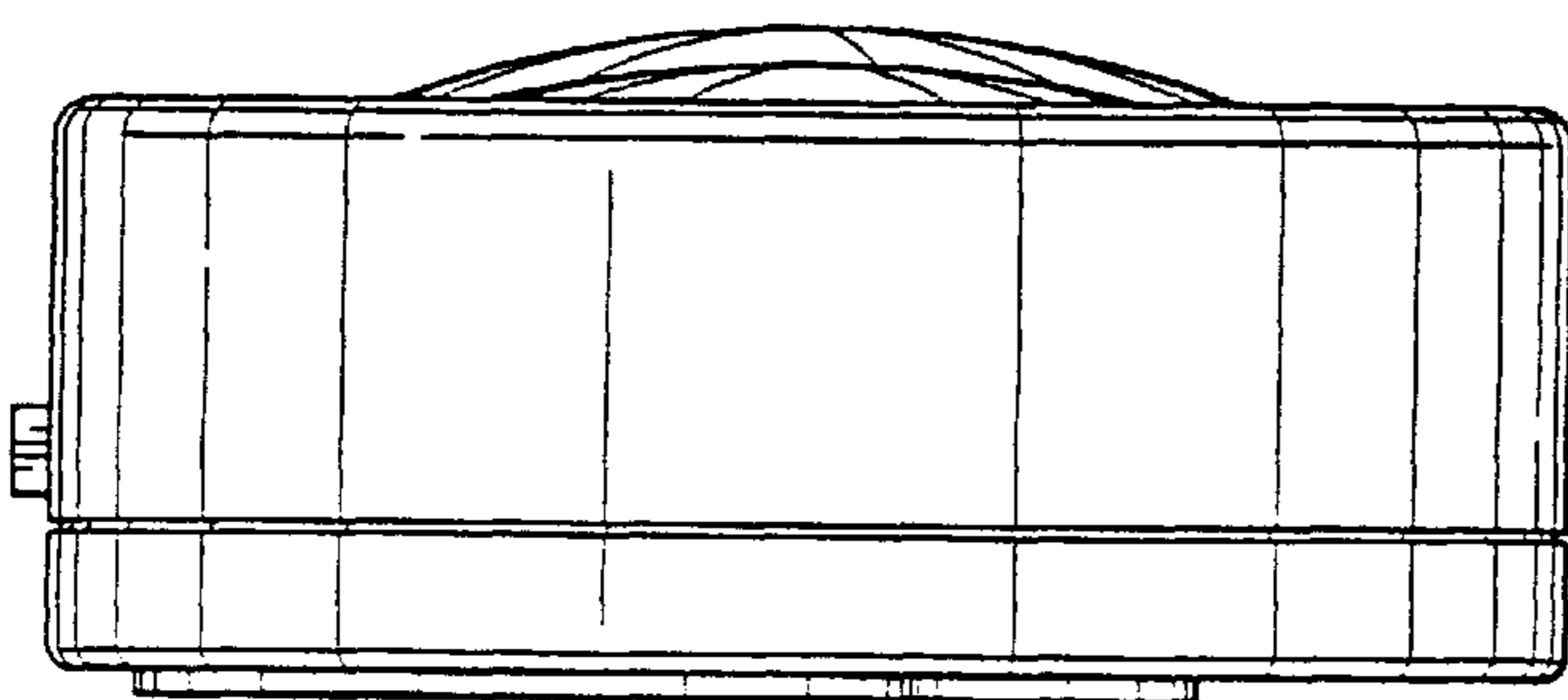


FIG. 7