



US00D442248S

(12) **United States Design Patent**
Weber et al.

(10) **Patent No.:** **US D442,248 S**

(45) **Date of Patent:** **** May 15, 2001**

(54) **POOL TABLE**

(76) Inventors: **Waylon L. Weber**, 2240 S. Dewey Ave., Beloit, WI (US) 53511; **William D. Fowlkes**, 68 E. Walworth Ave., Delavan, WI (US) 53115

(**) Term: **14 Years**

(21) Appl. No.: **29/091,309**

(22) Filed: **Jul. 27, 1998**

(51) **LOC (7) Cl.** **21-01**

(52) **U.S. Cl.** **D21/782**

(58) **Field of Search** D21/319, 300, D21/318, 312, 782, 783, 334, 350, 356, 358; 273/108, 108.1, 108.2, 108.21, 247; 473/1, 4, 131, 173

(56) **References Cited**

U.S. PATENT DOCUMENTS

- D. 27,788 * 10/1897 Haskell D21/316
- D. 213,297 * 2/1969 Porter D21/784
- D. 220,634 * 5/1971 Fontann D21/316
- 278,341 * 5/1883 Kelly 273/108.1
- D. 321,910 * 11/1991 Brady D21/357 X
- D. 333,690 * 3/1993 McKenzie D21/584

- 2,001,829 * 5/1935 Stadidge 273/108.1
- 2,014,788 * 9/1935 Strickler et al. 473/3
- 3,091,459 * 5/1963 Lindman 273/108.1
- 5,496,036 * 3/1996 Chester D21/357 X
- 5,746,431 * 5/1998 McIntyre et al. 273/247
- 5,755,441 * 5/1998 Langan et al. 273/247

OTHER PUBLICATIONS

Layout example of football and soccer field and basketball court (source unknown at present).

* cited by examiner

Primary Examiner—Prabhakar Deshmukh

(74) *Attorney, Agent, or Firm*—Keith Frantz

(57) **CLAIM**

The ornamental design of a pool table, as shown and described.

DESCRIPTION

FIG. 1 is a perspective view of a pool table showing my new design; and,

FIG. 2 is a top plan view thereof.

The portions of the design not shown are disclaimed. The bottom is plain and unornamented.

1 Claim, 1 Drawing Sheet

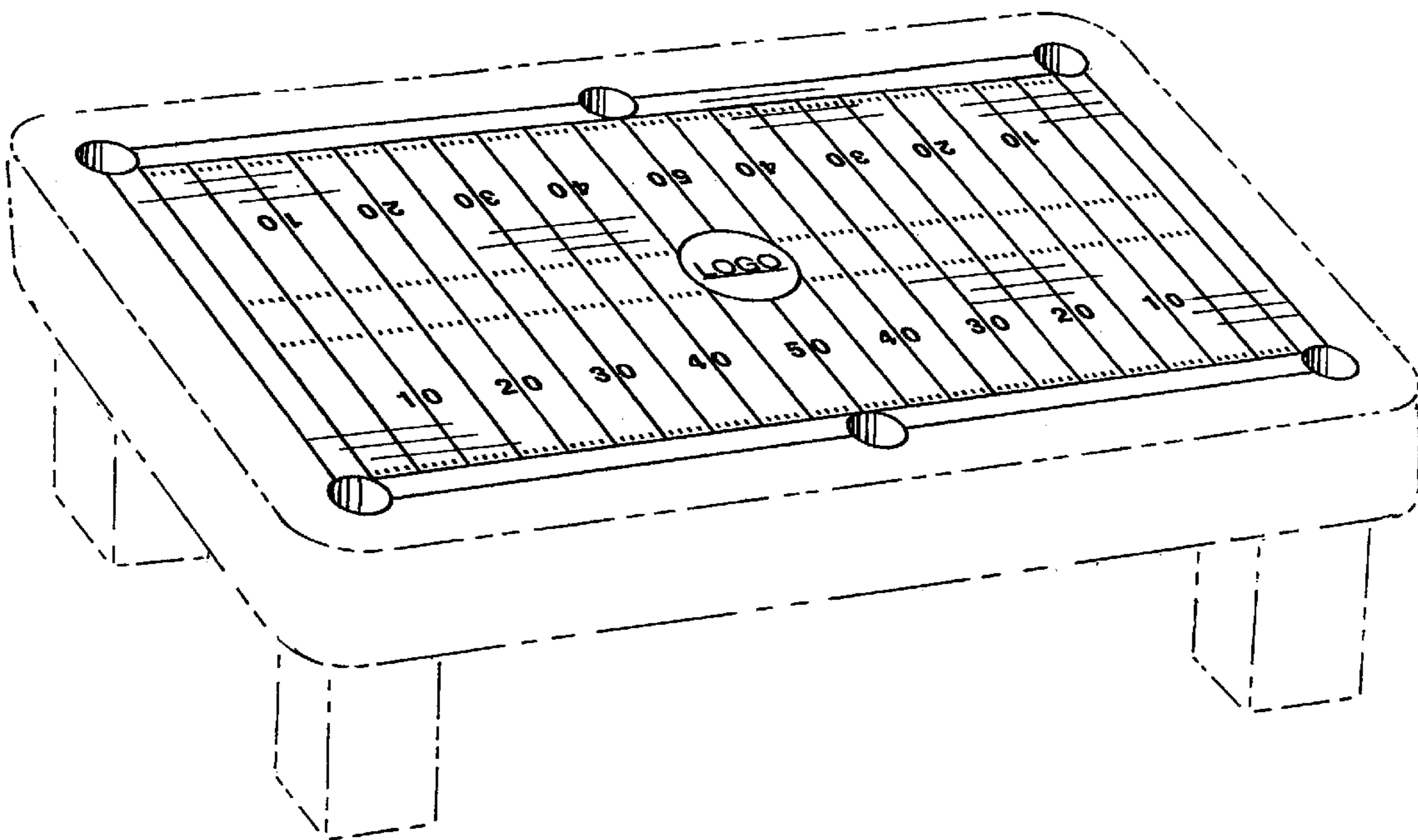


FIG. 1

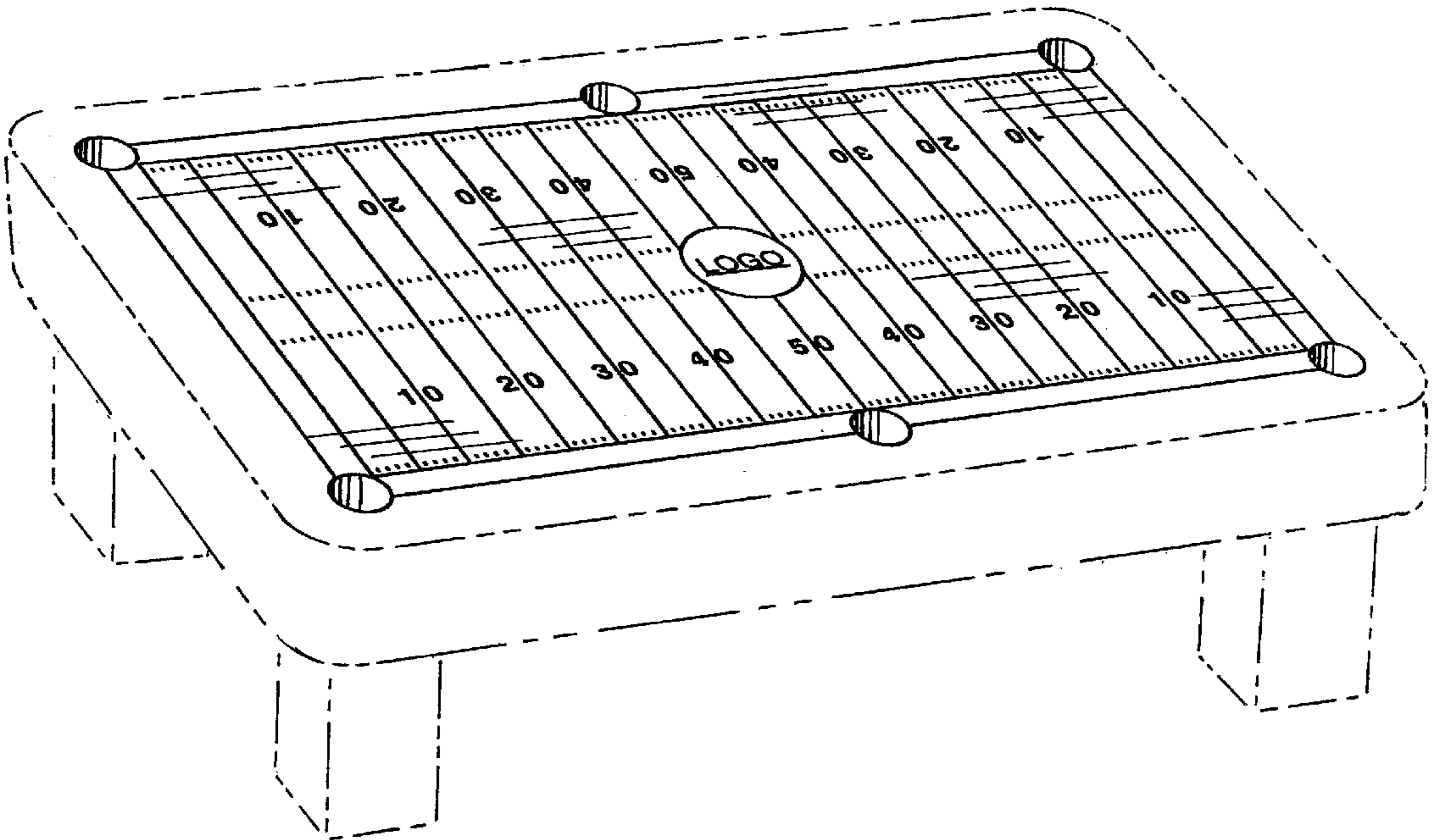


FIG. 2

