



US00D442247S

(12) **United States Design Patent**
Koester et al.

(10) **Patent No.:** **US D442,247 S**

(45) **Date of Patent:** **** May 15, 2001**

(54) **TOY SNOWBOARD**

(75) Inventors: **Paul Koester; Jeramy Parsons**, both of Chicago, IL (US)

(73) Assignee: **Millennium Products Inc.**, Chicago, IL (US)

(**) Term: **14 Years**

(21) Appl. No.: **29/113,605**

(22) Filed: **Nov. 8, 1999**

(51) **LOC (7) Cl.** **21-02**

(52) **U.S. Cl.** **D21/760; D21/768**

(58) **Field of Search** D21/760, 761, 766, 768, 769, 771, 772, 773, 774; 280/607, 617, 618, 619, 14.2; 441/68, 70, 74, 75, 79

(56) **References Cited**

U.S. PATENT DOCUMENTS

D. 422,663 * 4/2000 Vukelic et al. D21/773
5,147,234 * 9/1992 Brug 441/70

* cited by examiner

Primary Examiner—Kay H. Chin

(74) *Attorney, Agent, or Firm*—Orum & Roth

(57) **CLAIM**

We claim the ornamental design for the toy snowboard, as shown and described.

DESCRIPTION

FIG. 1 is a perspective view of a toy snowboard showing our new design;

FIG. 2 is a front elevational view thereof;

FIG. 3 is a rear elevational view thereof;

FIG. 4 is a top view thereof;

FIG. 5 is a left side elevational view, the right side elevational view being a mirror image thereof;

FIG. 6 is a bottom view thereof;

FIG. 7 is a perspective view of showing another embodiment our new design;

FIG. 8 is a front elevational view of the embodiment of FIG. 7;

FIG. 9 is a rear elevational view of the embodiment of FIG. 7;

FIG. 10 is a top view of the embodiment of FIG. 7;

FIG. 11 is a left side elevational view of the embodiment of FIG. 7, the right side elevational view being a mirror image thereof; and,

FIG. 12 is a bottom view of the embodiment of FIG. 7.

1 Claim, 2 Drawing Sheets

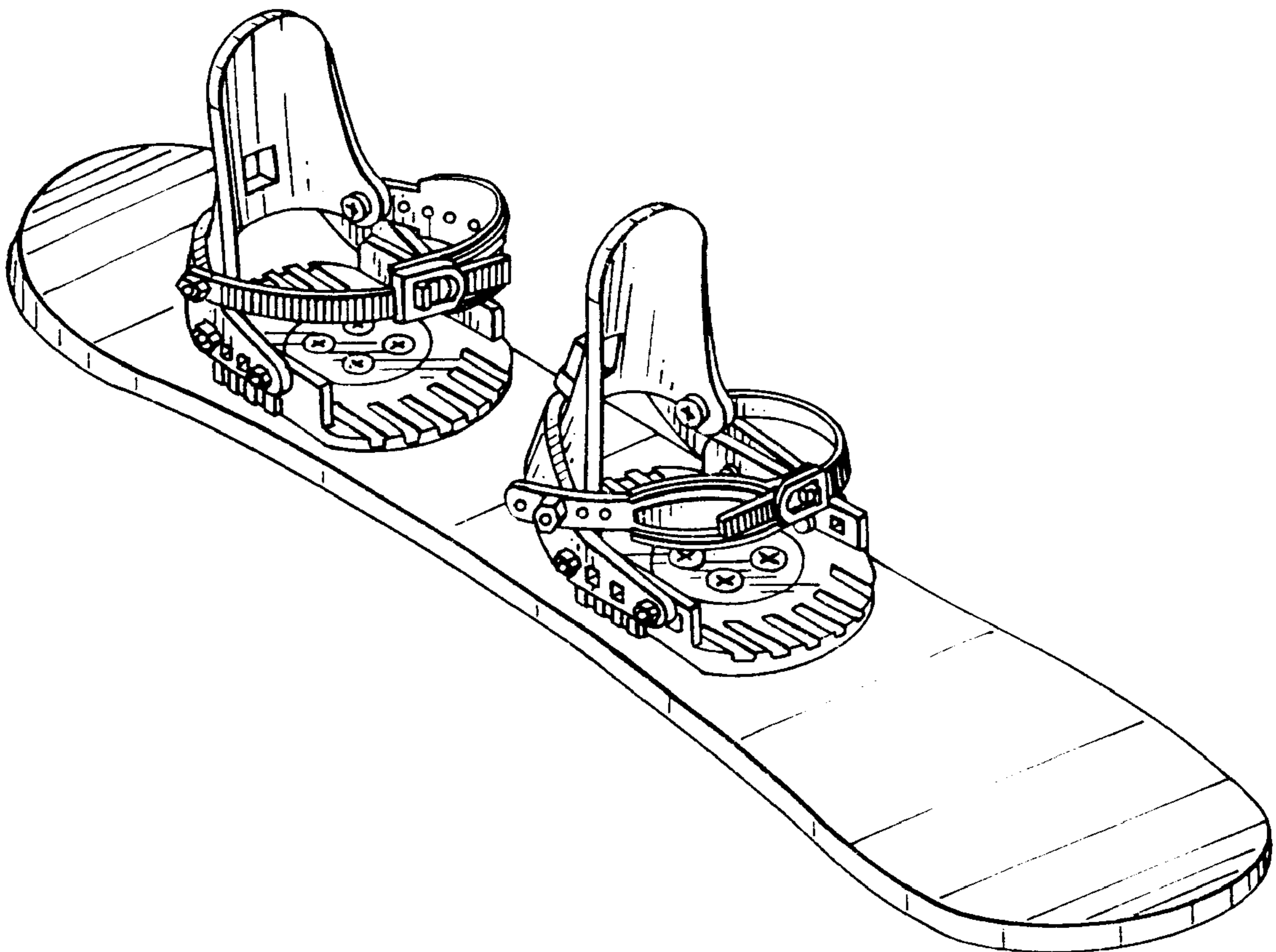


FIG. 1

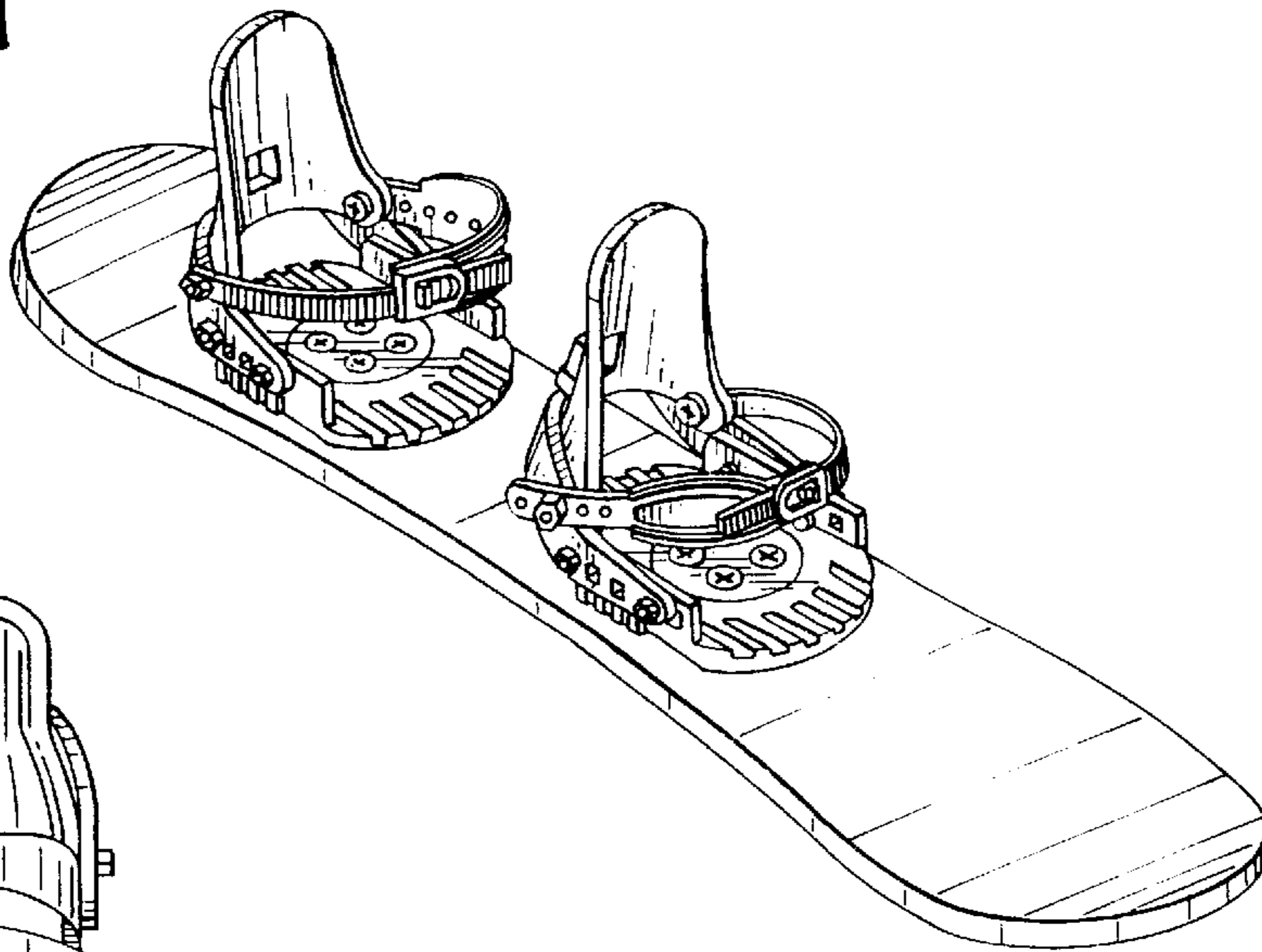


FIG. 2

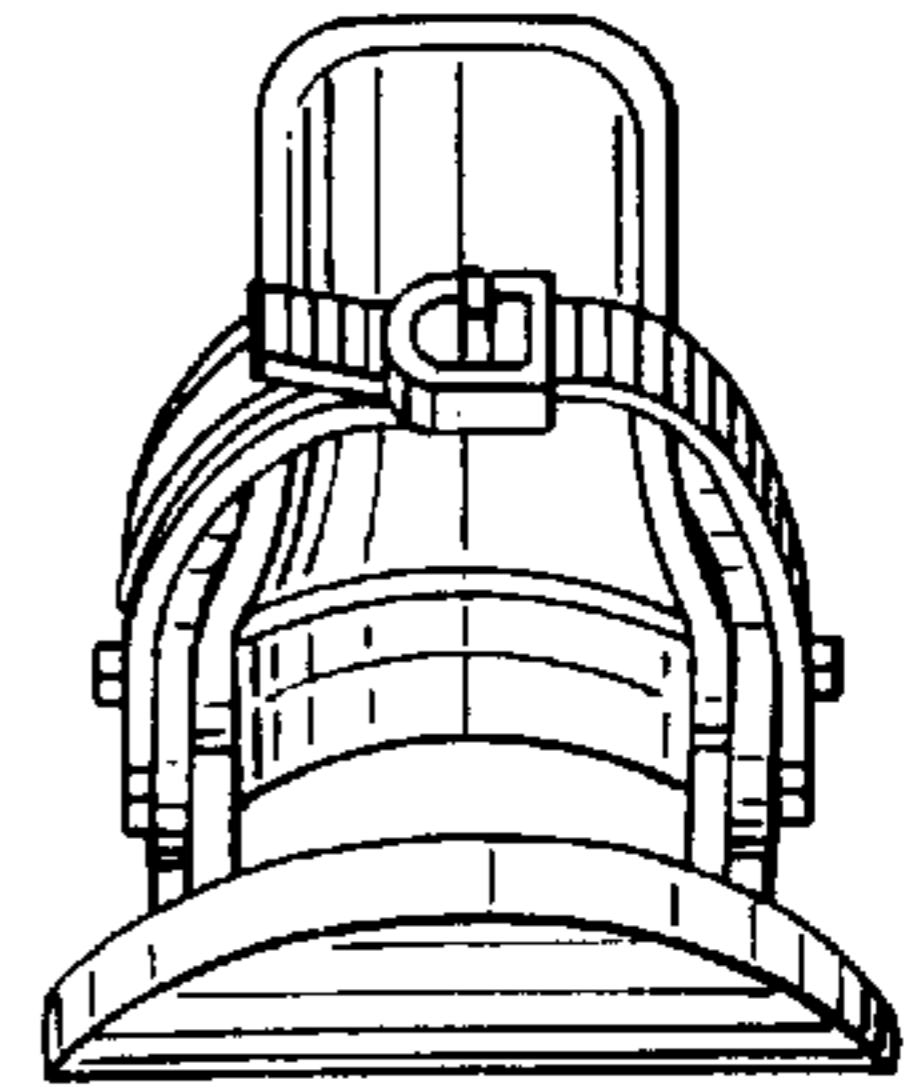


FIG. 3

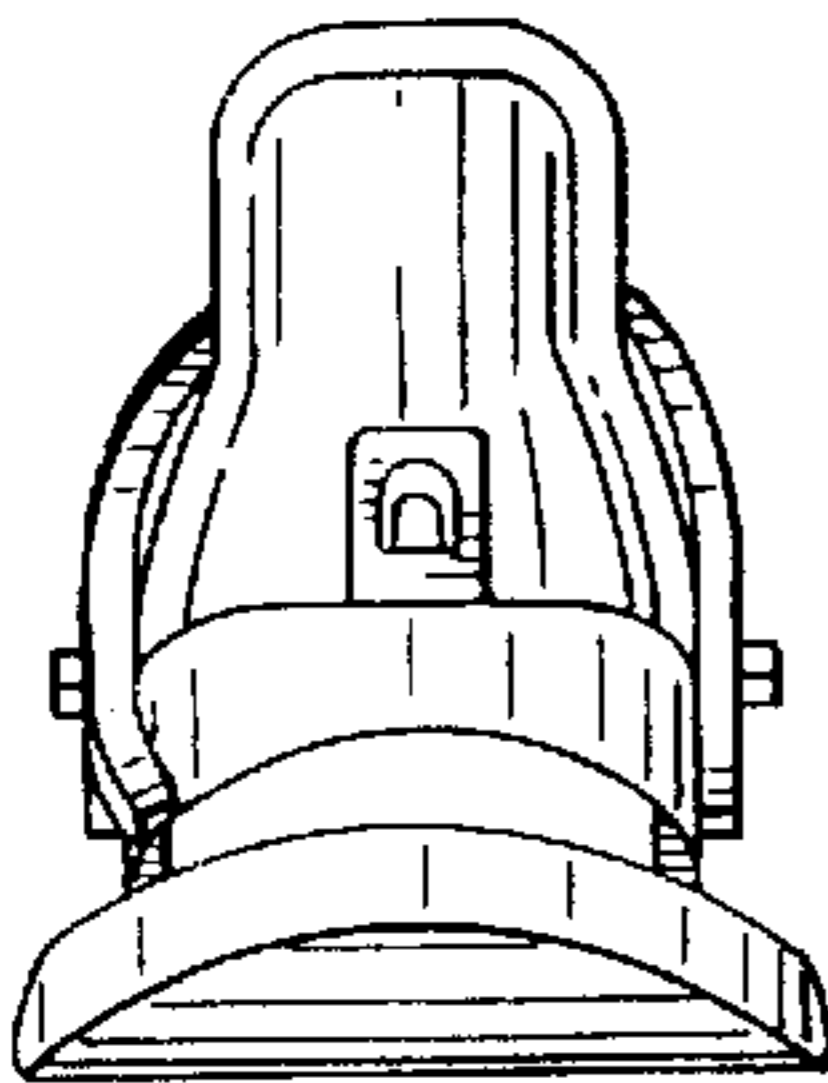


FIG. 4

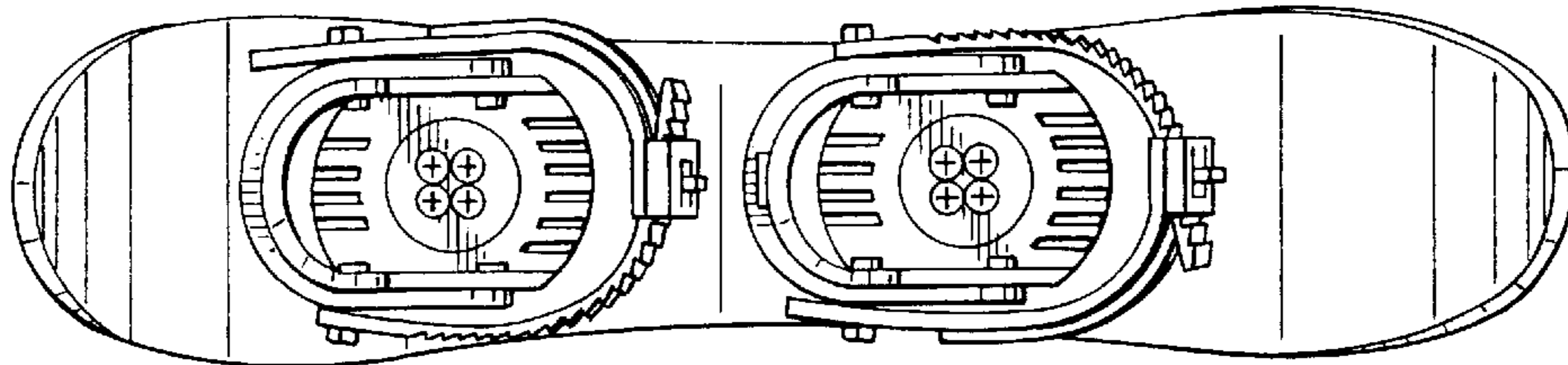


FIG. 5

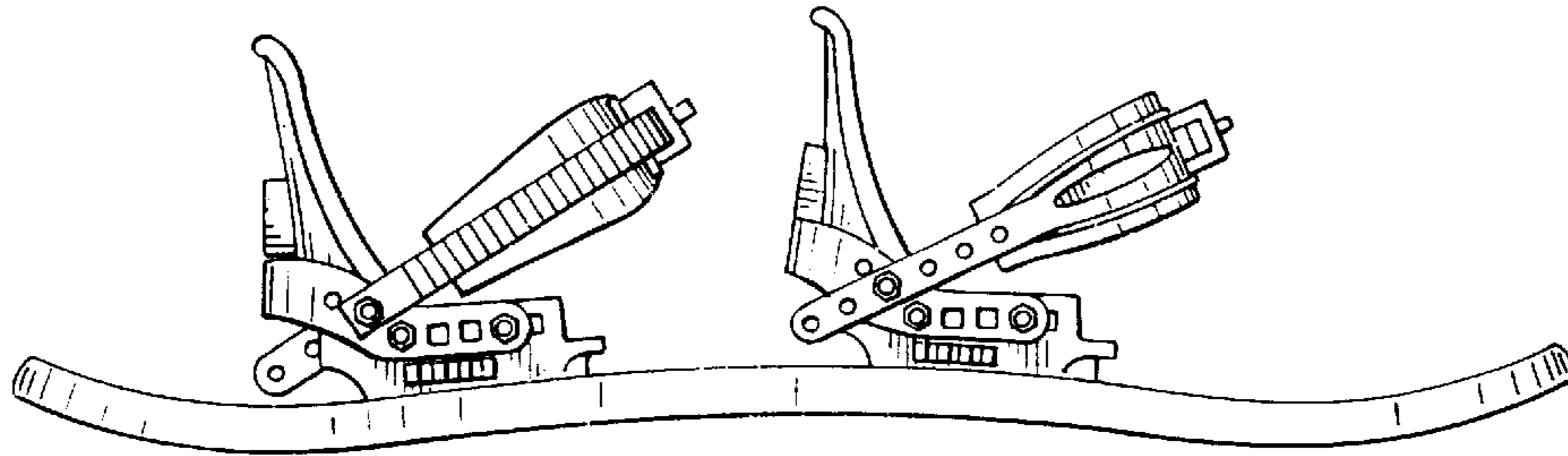


FIG. 6

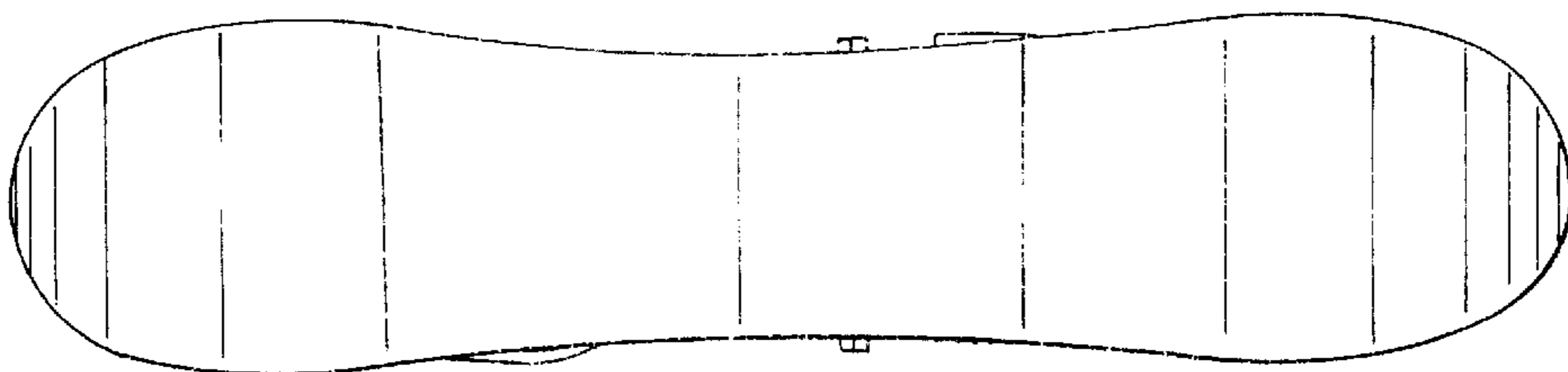


FIG. 7

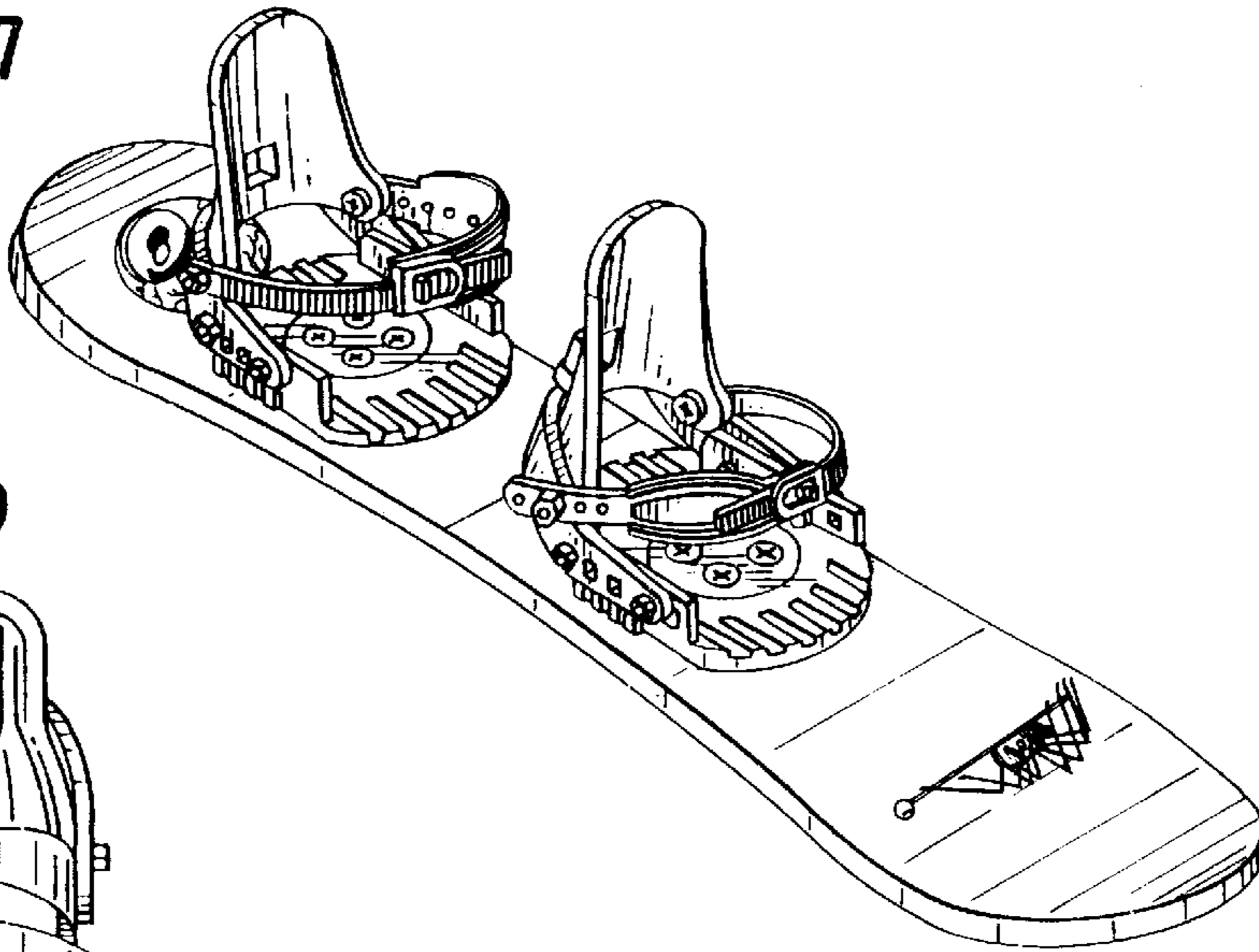


FIG. 8

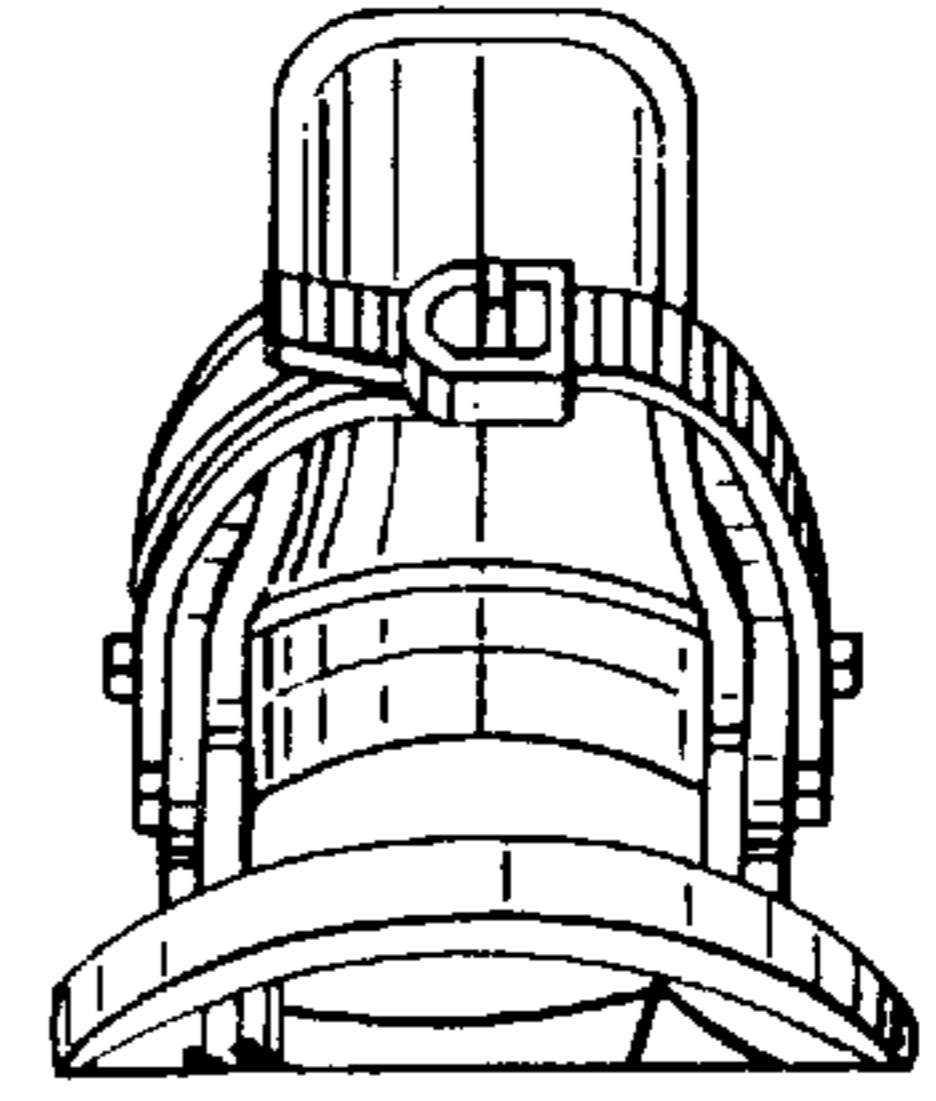


FIG. 9

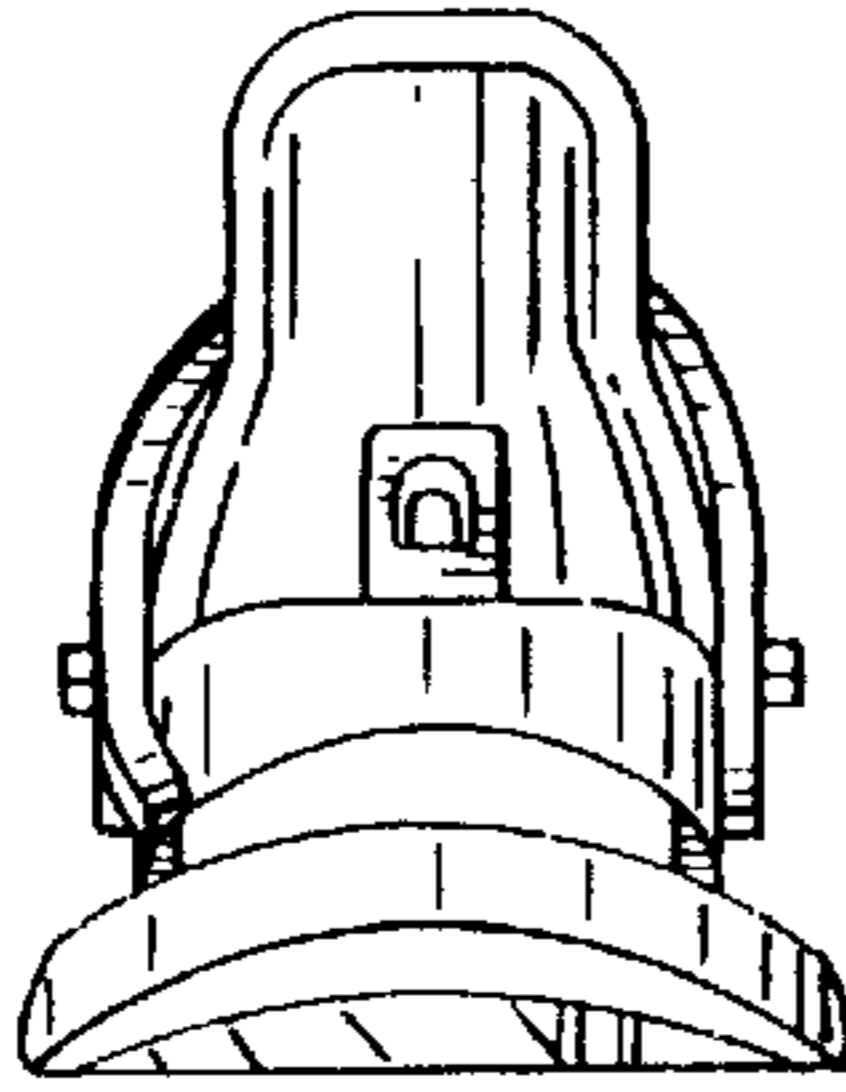


FIG. 10

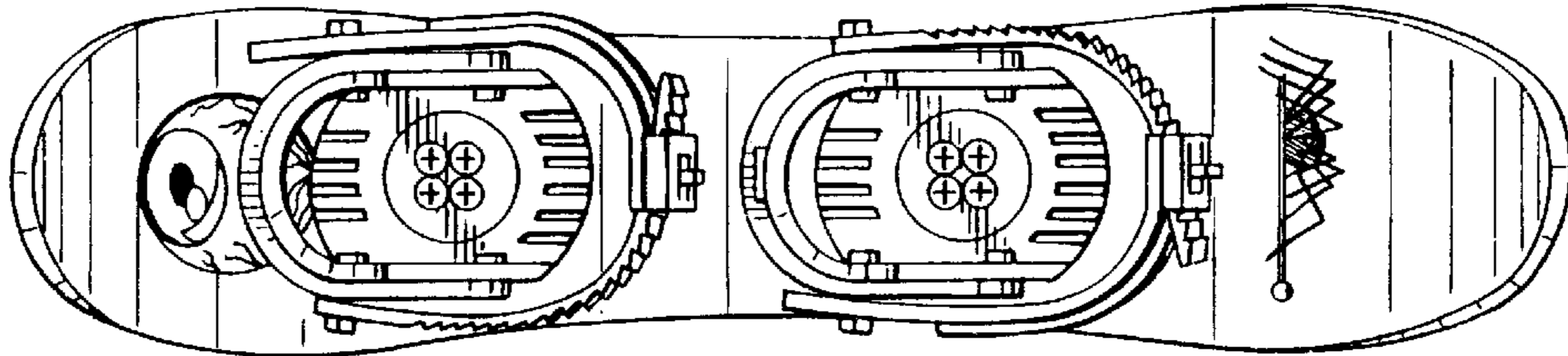


FIG. 11

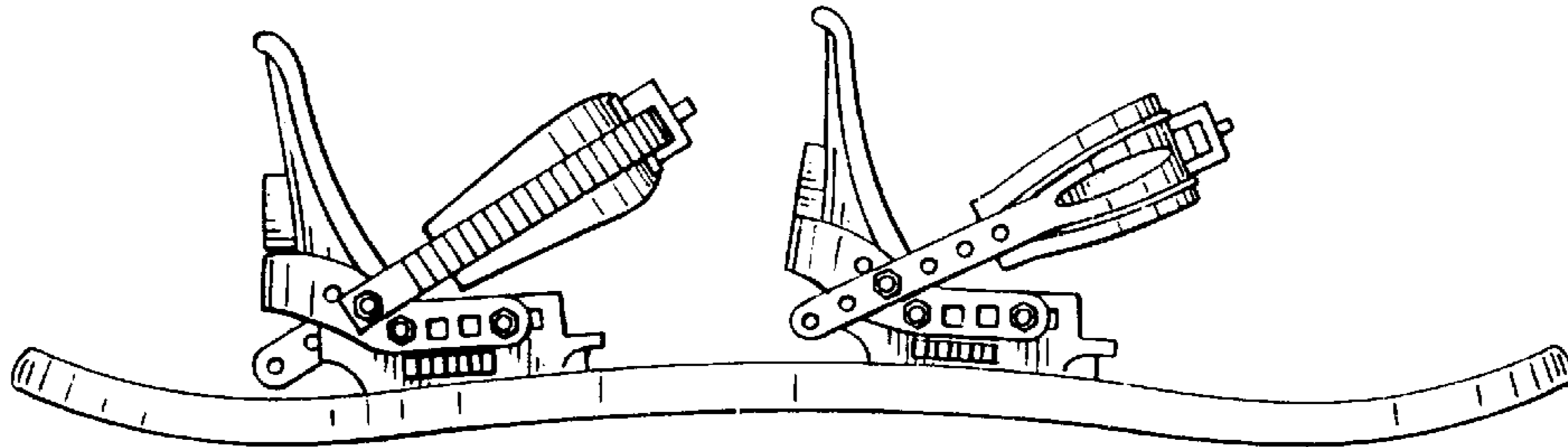


FIG. 12

