



US00D442243S

(12) **United States Design Patent**
Cutino

(10) **Patent No.:** **US D442,243 S**

(45) **Date of Patent:** **** May 15, 2001**

(54) **GOLF TEE**

D. 415,806 * 10/1999 Wang D21/718

D. 420,076 * 2/2000 Mezzadra D1/717

(76) Inventor: **Michael Cutino**, 27 Cleveland St.,
Nesconset, NY (US) 11767

* cited by examiner

(**) Term: **14 Years**

Primary Examiner—Dominic Simone

(74) *Attorney, Agent, or Firm*—Galgano & Burke

(21) Appl. No.: **29/122,488**

(57) **CLAIM**

(22) Filed: **Apr. 26, 2000**

The ornamental design for a novel golf tee, as shown and described.

(51) **LOC (7) Cl.** **21-02**

(52) **U.S. Cl.** **D21/717**

(58) **Field of Search** D21/715, 717,
D21/718; 473/257, 387-403

DESCRIPTION

FIG. 1 is a perspective view of a golf tee, showing my new design;

FIG. 2 is a side elevational view;

FIG. 3 is a top plan view thereof; and,

FIG. 4 is a bottom plan view thereof.

(56) **References Cited**

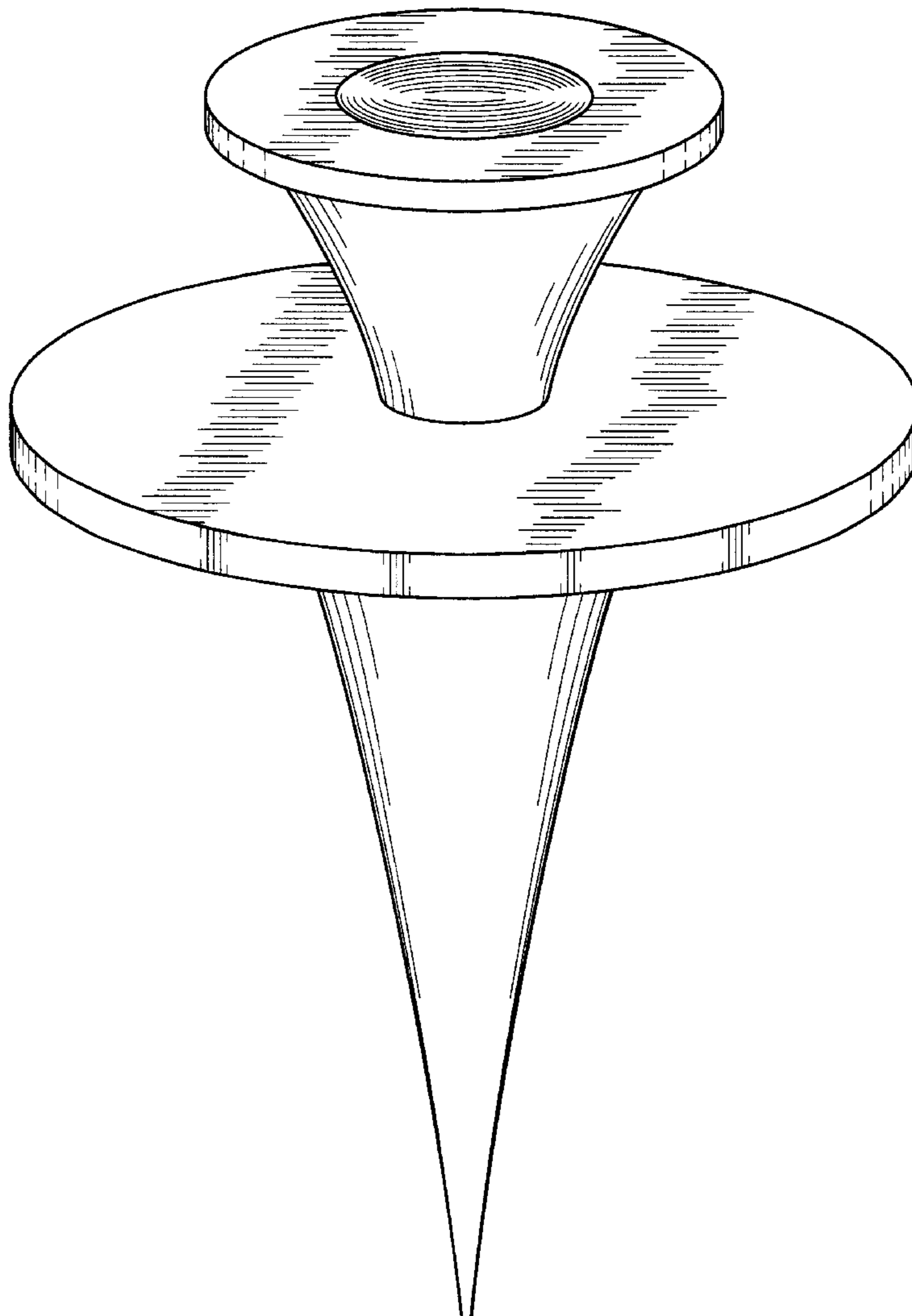
U.S. PATENT DOCUMENTS

D. 306,194 * 2/1990 Sadowski D21/718

D. 370,041 * 5/1996 Thomas D21/718

D. 413,640 * 9/1999 Fearer, III D21/718

1 Claim, 4 Drawing Sheets



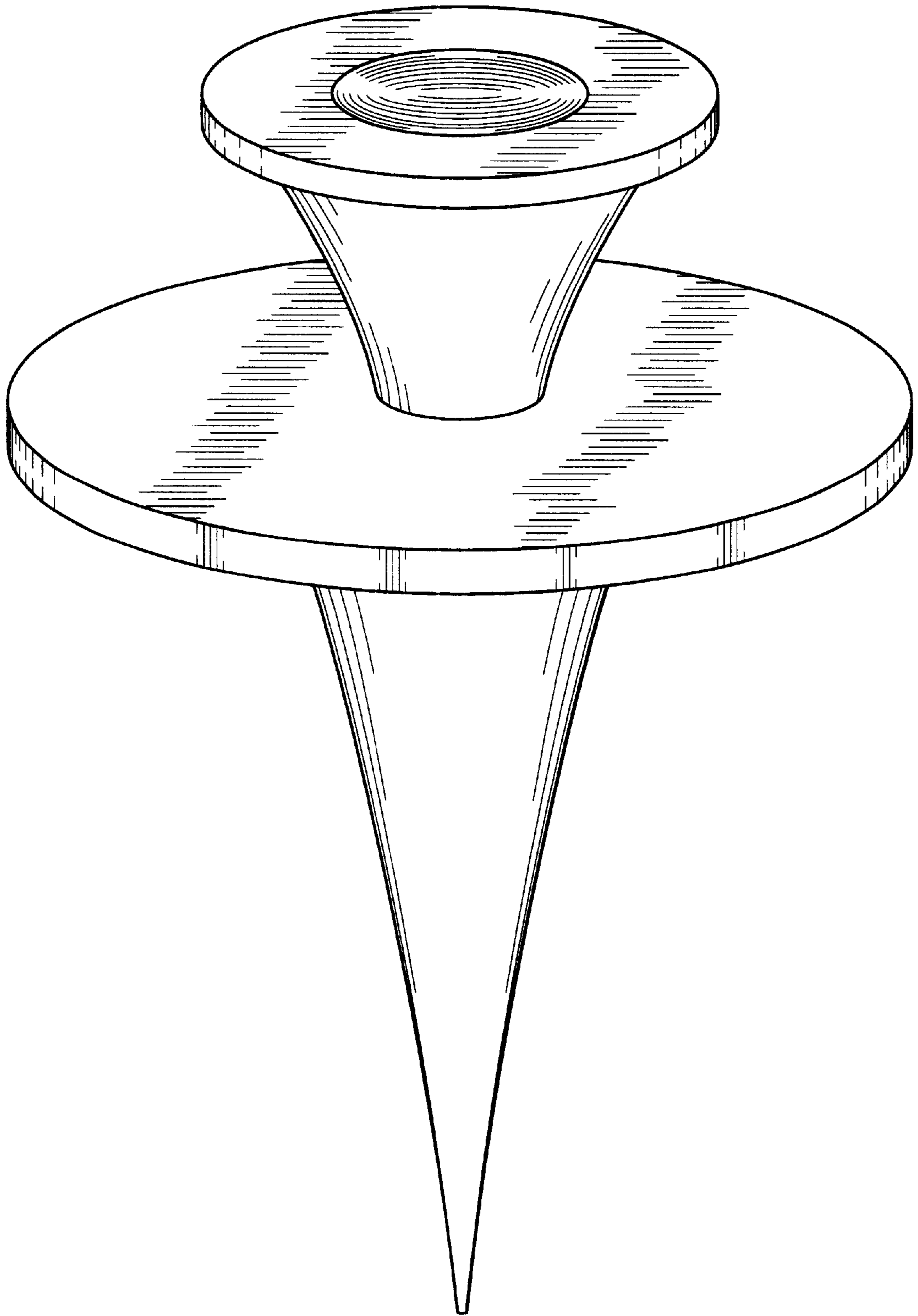


FIG. 1

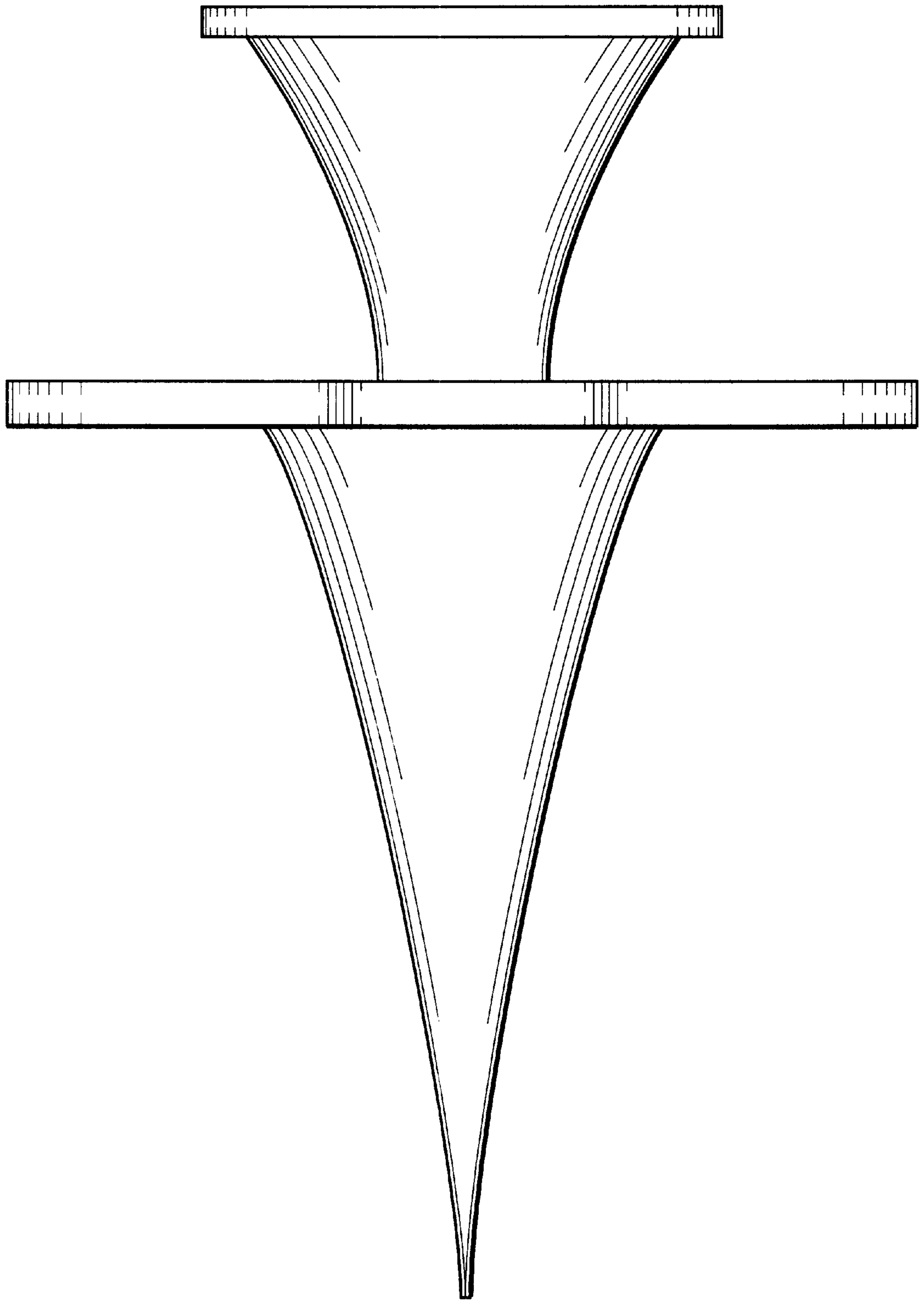


FIG. 2

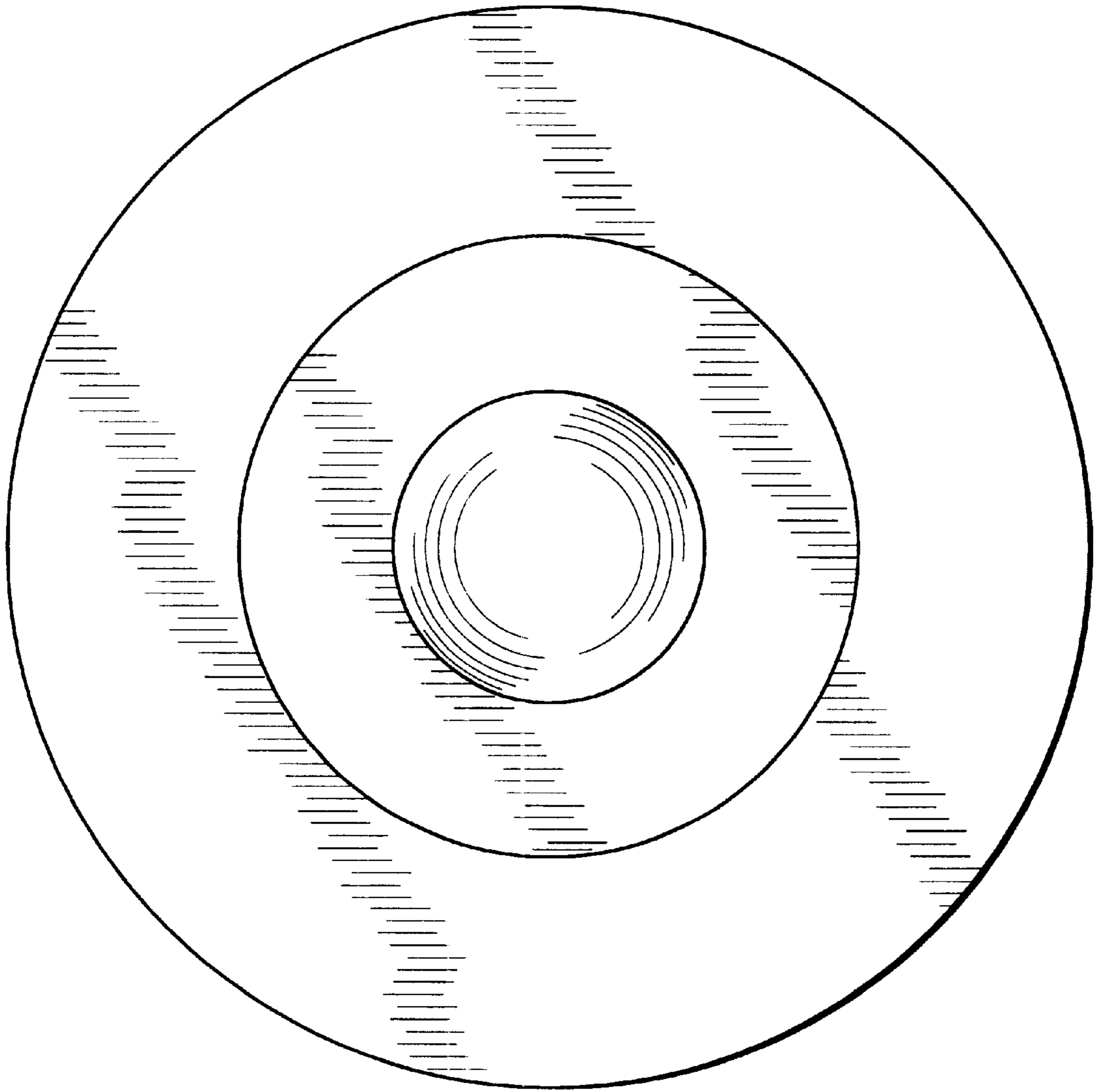


FIG. 3

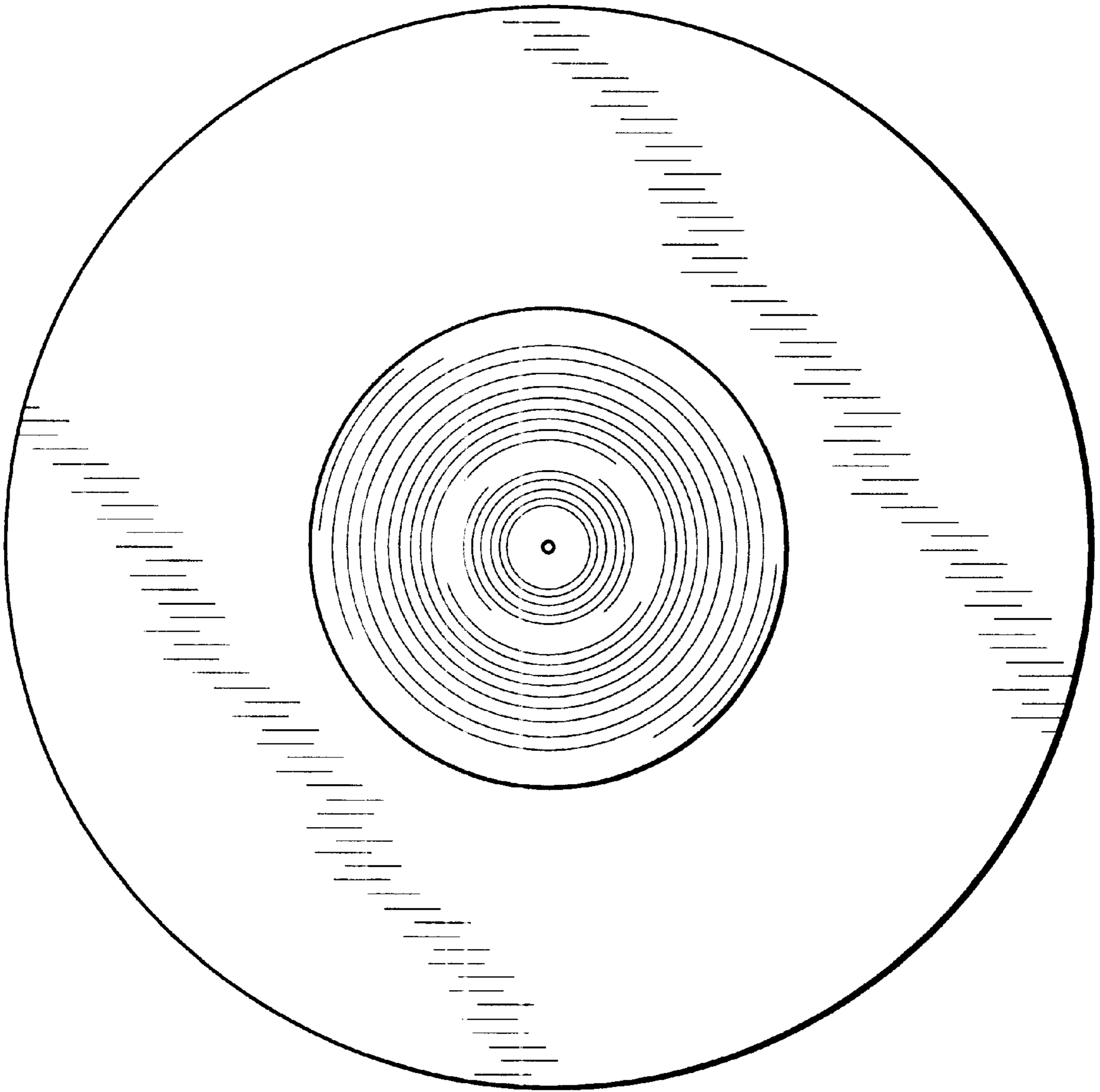


FIG. 4