



US00D442239S

(12) **United States Design Patent**
Rojas et al.

(10) **Patent No.:** **US D442,239 S**

(45) **Date of Patent:** **** May 15, 2001**

(54) **WEIGHT PLATE WITH TWO GRIP OPENINGS**

(75) Inventors: **Michael D. Rojas**, Tustin; **Scott J. Frasco**, Huntington Beach, both of CA (US)

(73) Assignee: **Iron Grip Barbell Company, Inc.**, Costa Mesa, CA (US)

(**) Term: **14 Years**

(21) Appl. No.: **29/119,371**

(22) Filed: **Feb. 28, 2000**

(51) **LOC (7) Cl.** **21-02**

(52) **U.S. Cl.** **D21/681; D21/680**

(58) **Field of Search** D21/680, 681, D21/682, 683; 482/105, 106, 107, 108

(56) **References Cited**

U.S. PATENT DOCUMENTS

- D. 215,057 * 8/1969 Sun D21/680
- D. 354,322 * 1/1995 Vodhanel, Jr. D21/681

- D. 355,007 * 1/1995 Rojas et al. D21/681
- D. 394,685 * 5/1998 Eckmann D21/680
- D. 421,076 * 2/2000 Lincir D21/681
- D. 424,140 * 5/2000 Lincir D21/681
- D. 424,639 * 5/2000 Rojas et al. D21/680
- 5,137,502 * 8/1992 Anastasi 482/106
- 5,628,716 * 5/1997 Brice 482/106
- 5,692,996 * 12/1997 Widerman 482/93

* cited by examiner

Primary Examiner—Philip S. Hyder

(74) *Attorney, Agent, or Firm*—Darby & Darby

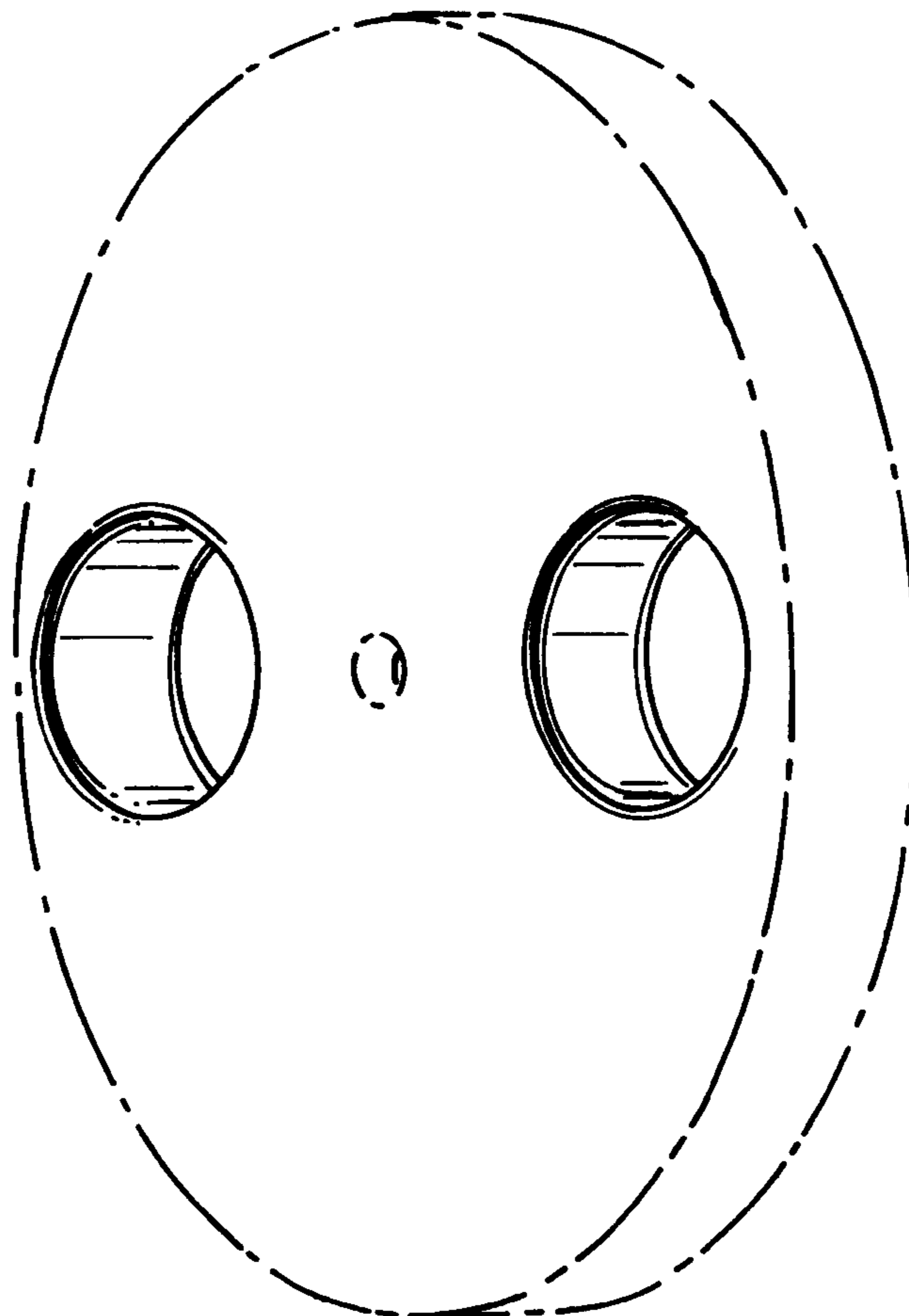
(57) **CLAIM**

The ornamental design for a weight plate with two grip openings, as shown and described.

DESCRIPTION

FIG. 1 is a perspective view of a weight plate with two grip openings, showing our new design; and, FIG. 2 is a front view of the weight plate with two grip openings in FIG. 1.

1 Claim, 1 Drawing Sheet



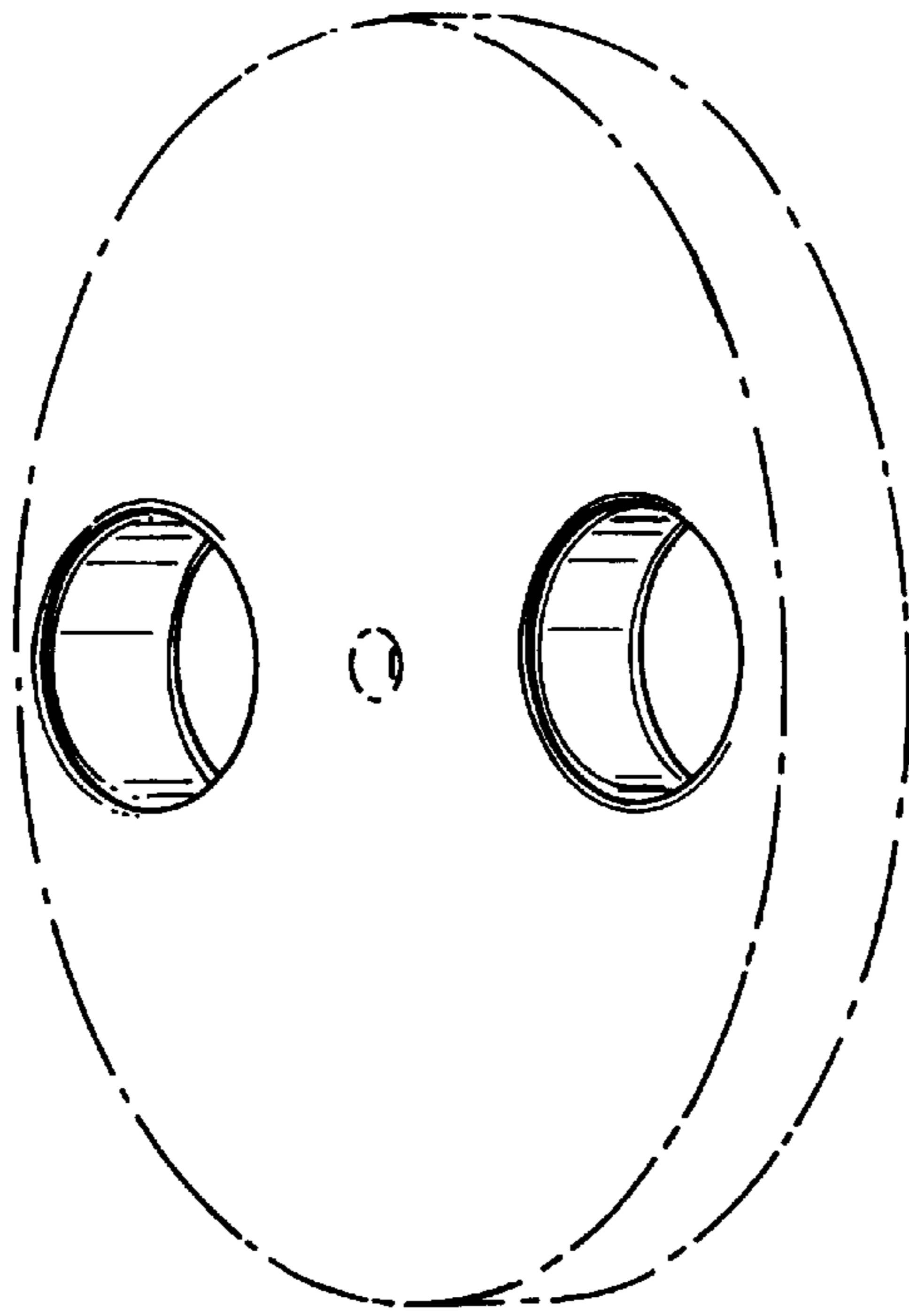


FIG. 1

FIG. 2

