



US00D442236S

(12) **United States Design Patent**  
**Chang**

(10) **Patent No.:** **US D442,236 S**

(45) **Date of Patent:** **\*\* May 15, 2001**

(54) **BUILDING BLOCK MODULE**

(76) Inventor: **Chen-Chang Chang**, 11F-1, No. 177,  
Yung-Chi Road, Taipei (TW)

(\*\*) Term: **14 Years**

(21) Appl. No.: **29/123,060**

(22) Filed: **May 10, 2000**

(30) **Foreign Application Priority Data**

Apr. 29, 2000 (TW) ..... 089302883

(51) **LOC (7) Cl.** ..... **21-01**

(52) **U.S. Cl.** ..... **D21/501**

(58) **Field of Search** ..... D21/484, 489,  
D21/491, 500-502, 479; D25/113-118;  
446/85, 93-96, 108, 117, 120, 121, 124,  
125, 128; 52/589.1, 590.2, 591.3, 591.4,  
592.1, 603, 606

(56) **References Cited**

**U.S. PATENT DOCUMENTS**

- D. 246,470 \* 11/1977 Sato ..... D25/118
- D. 370,503 \* 6/1996 Burns ..... D21/500
- D. 387,397 \* 12/1997 Zheng ..... D21/489
- D. 409,679 \* 5/1999 Jensen ..... D21/501
- 1,236,896 \* 8/1917 Anderson ..... D21/500

- 1,894,605 \* 1/1933 Wright ..... D21/500
- 1,984,393 \* 12/1934 Brown ..... 52/592.1
- 2,407,927 \* 9/1946 Hayden ..... 446/125
- 2,861,388 \* 11/1958 Favaretto ..... 446/124
- 3,005,282 \* 10/1961 Christiansen ..... 446/128
- 3,651,597 \* 3/1972 Daenen ..... 446/95
- 3,822,569 \* 7/1974 Lautrup-Larsen ..... 446/85
- 4,744,780 \* 5/1988 Volpe ..... 446/121

\* cited by examiner

*Primary Examiner*—Raphael Barkai

(74) *Attorney, Agent, or Firm*—Dougherty & Troxell

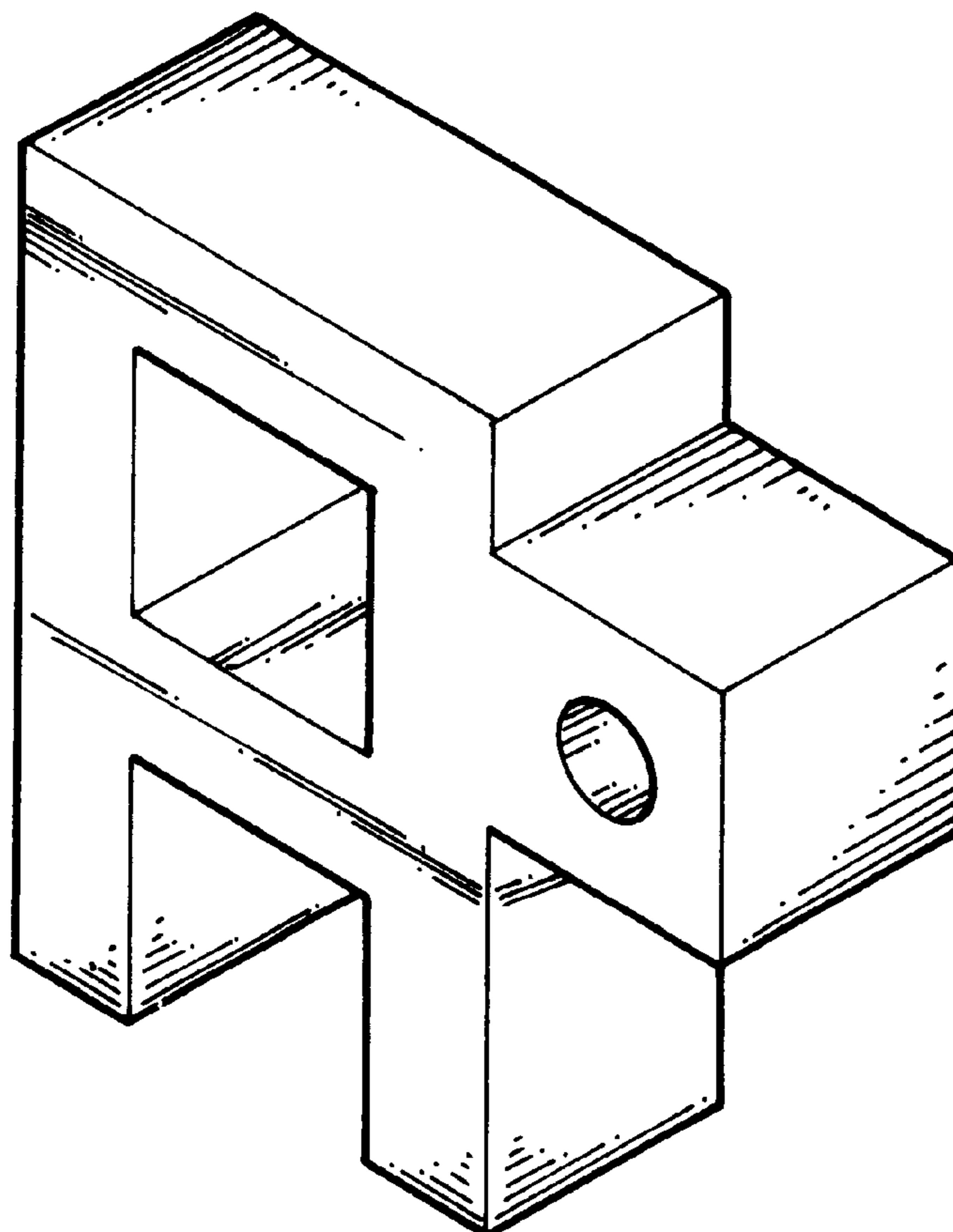
(57) **CLAIM**

The ornamental design for a building block module, as shown and described.

**DESCRIPTION**

FIG. 1 is a front view of a building block module showing my new design;  
 FIG. 2 is a right side view thereof;  
 FIG. 3 is a top view thereof;  
 FIG. 4 is a rear view thereof;  
 FIG. 5 is a left side view thereof;  
 FIG. 6 is a bottom view thereof; and,  
 FIG. 7 is a perspective view thereof.

**1 Claim, 3 Drawing Sheets**



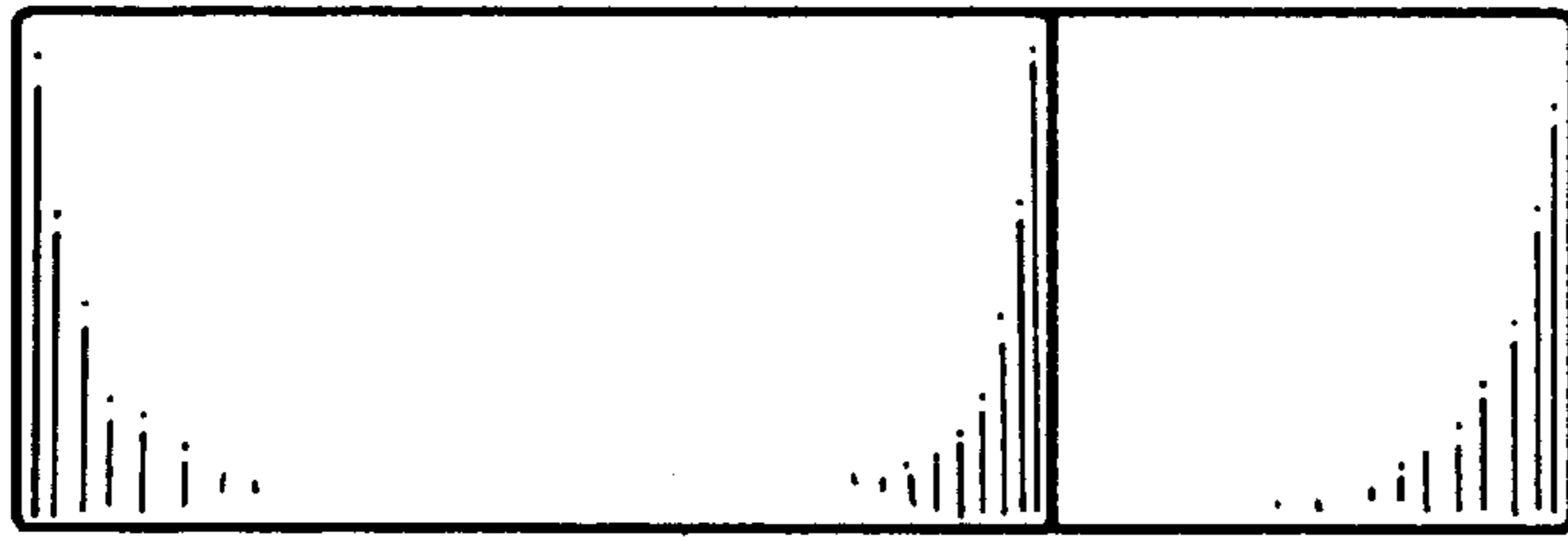


FIG. 3

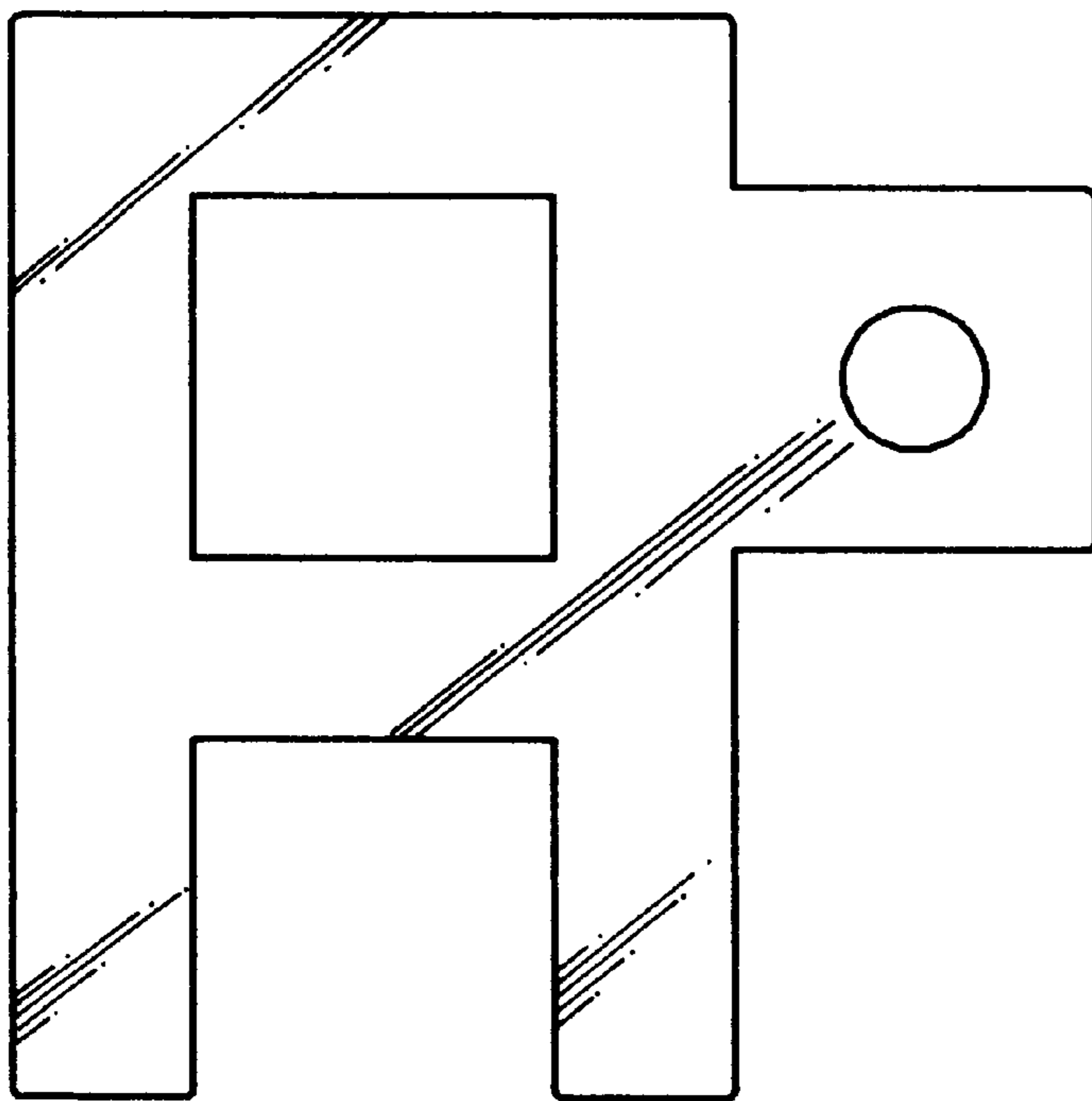


FIG. 1

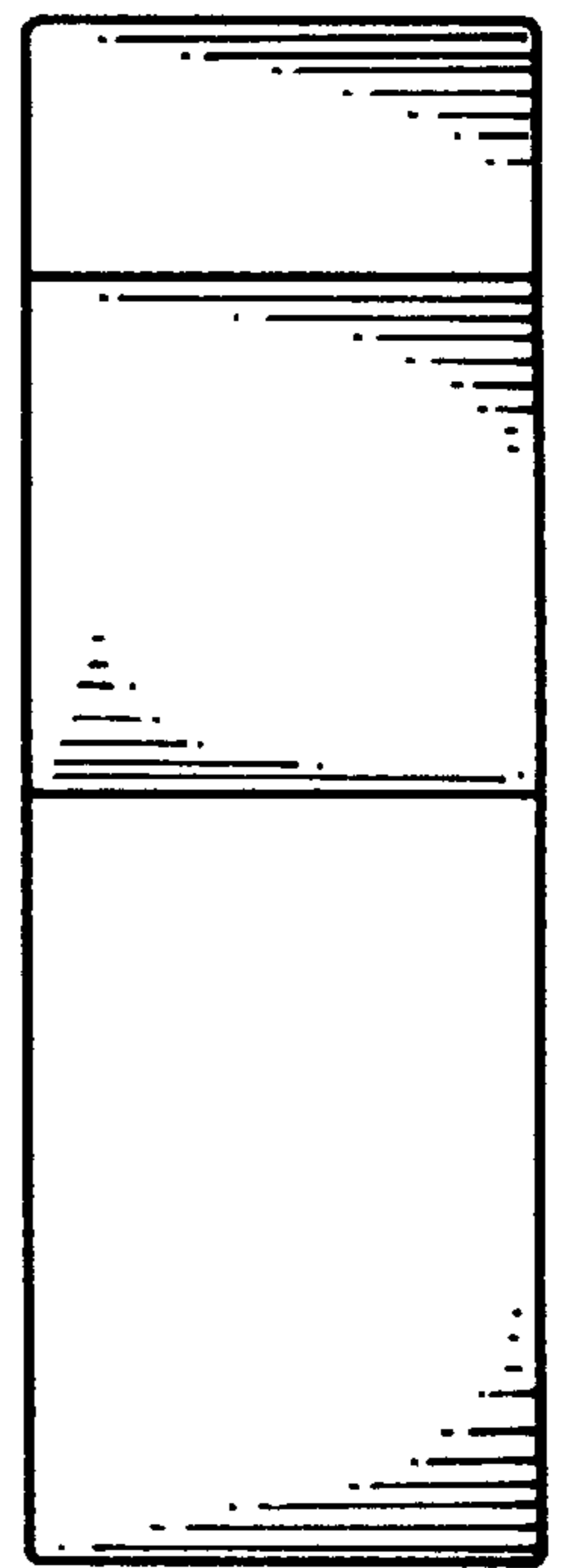


FIG. 2

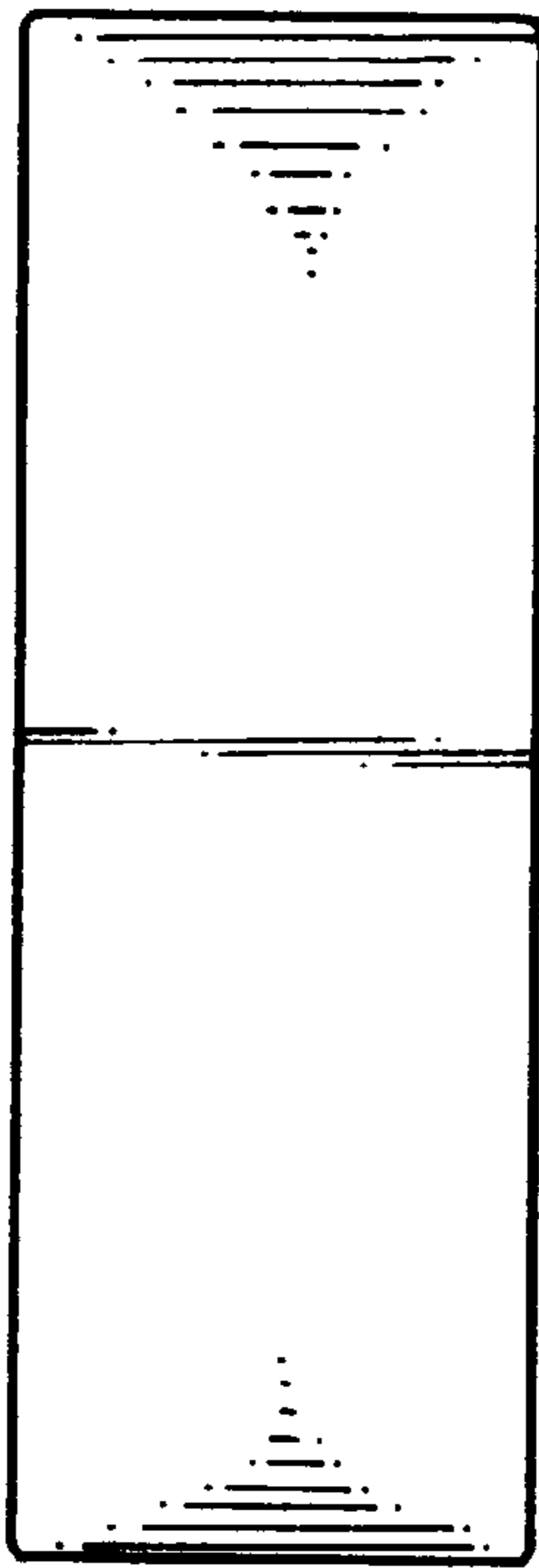


FIG. 5

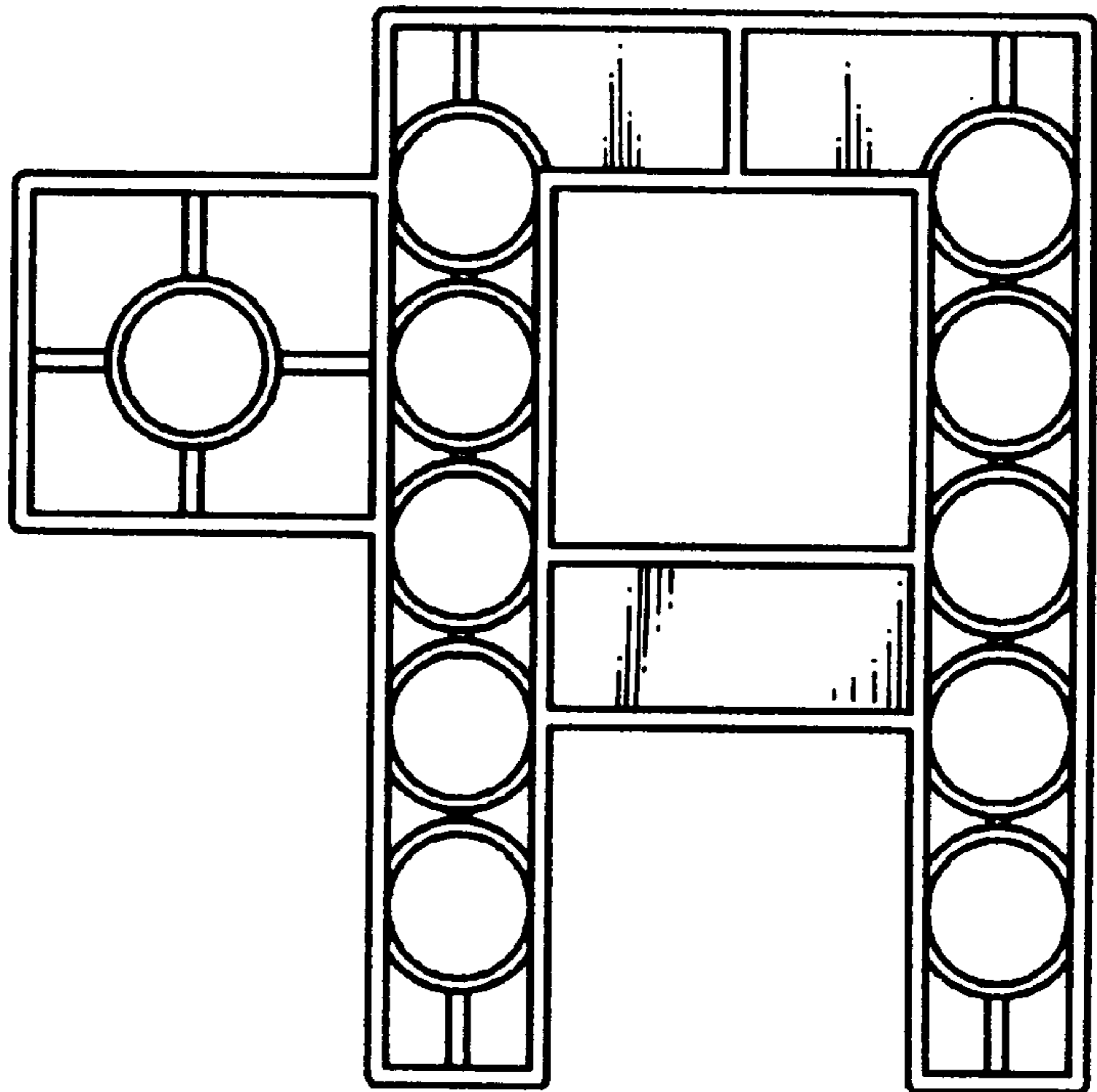


FIG. 4

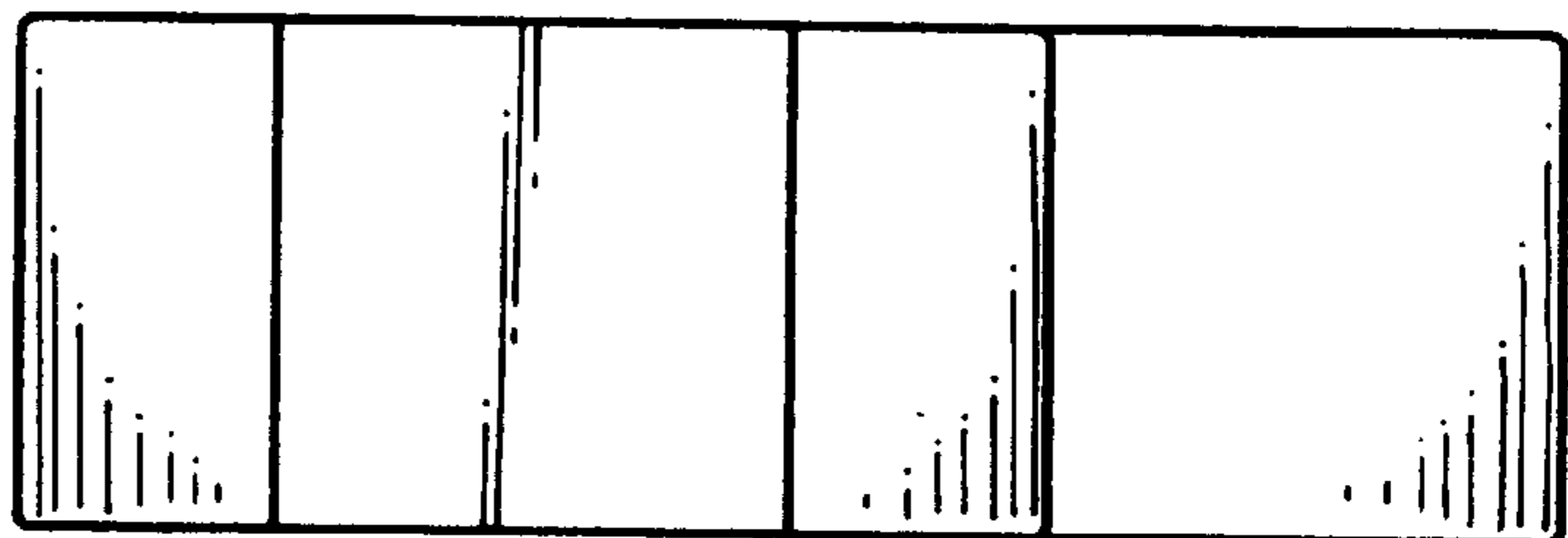


FIG. 6

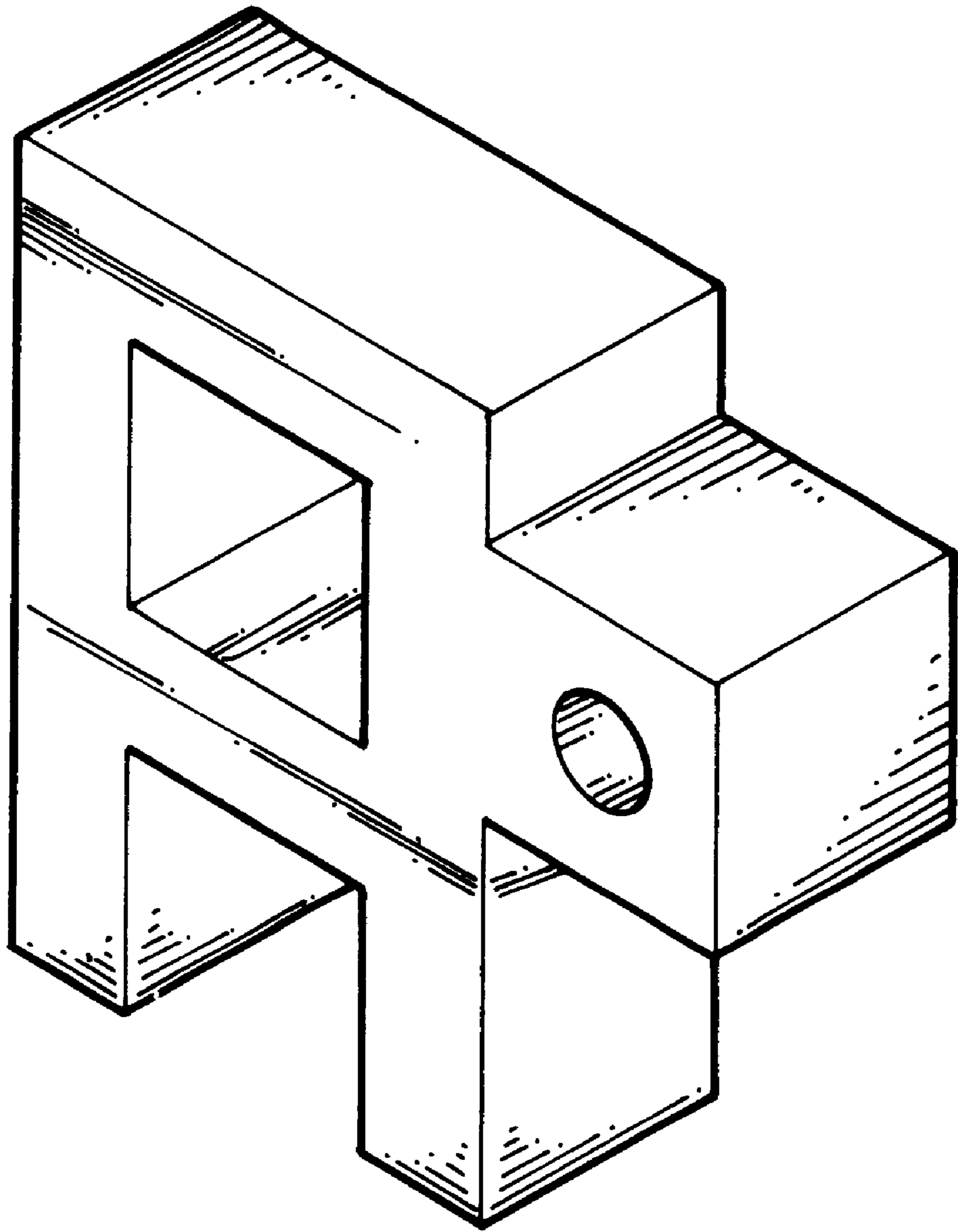


FIG. 7