



US00D442233S

(12) **United States Design Patent**
Seo

(10) **Patent No.:** **US D442,233 S**

(45) **Date of Patent:** **** May 15, 2001**

(54) **MEMBER FOR USE IN A HULA-HOOP**

(75) Inventor: **Jong Han Seo**, Seoul (KR)

(73) Assignee: **Lento Co., Ltd.**, Seoul (KR)

(**) Term: **14 Years**

(21) Appl. No.: **29/118,023**

(22) Filed: **Feb. 2, 2000**

(51) **LOC (7) Cl.** **21-01**

(52) **U.S. Cl.** **D21/457**

(58) **Field of Search** D21/457; 446/236,
446/242-244, 450

(56) **References Cited**

U.S. PATENT DOCUMENTS

D. 55,412	*	6/1920	Brown	D21/457
D. 320,241	*	9/1991	Moore	D21/457
D. 342,294	*	12/1993	Kirkland	D21/457
D. 343,209	*	1/1994	Lee	D21/457
3,079,728	*	3/1963	Melin	446/236
4,052,982	*	10/1977	Ozeryansky	446/236 X
4,380,885	*	4/1983	Komagata	446/236
4,915,666	*	4/1990	Maleyko	446/242
5,338,244	*	8/1994	Huang	446/242
5,569,134	*	10/1996	Nordanger	446/236 X
5,823,846	*	10/1998	Arriola et al.	446/236
5,997,449	*	12/1999	Lee	446/236 X
6,059,632	*	5/2000	Sassak	446/236
6,102,769	*	8/2000	Huang	446/236

* cited by examiner

Primary Examiner—Dominic Simone

(74) *Attorney, Agent, or Firm*—Dellett and Walters

(57) **CLAIM**

I claim the ornamental design for a member for use in a hula-hoop, as shown and described.

DESCRIPTION

FIG. 1 is a perspective view of the member for use in a hula-hoop according to my design;

FIG. 2 is a front view of the member for use in a hula-hoop according to my design;

FIG. 3 is rear elevational view of the member for use in a hula-hoop according to my design;

FIG. 4 is a left side view of the member for use in a hula-hoop according to my design;

FIG. 5 is a right side view of the member for use in a hula-hoop according to my design;

FIG. 6 is a top view of the member for use in a hula-hoop according to my design;

FIG. 7 is a bottom view of the member for use in a hula-hoop according to my design;

FIG. 8 is a perspective view thereof, the additional members shown in broken lines for illustrative purposes only and form no part of the claimed design; and,

FIG. 9 is a top plan view of FIG. 1, the additional members shown in broken lines for illustrative purposes only and form no part of the claimed design.

1 Claim, 4 Drawing Sheets

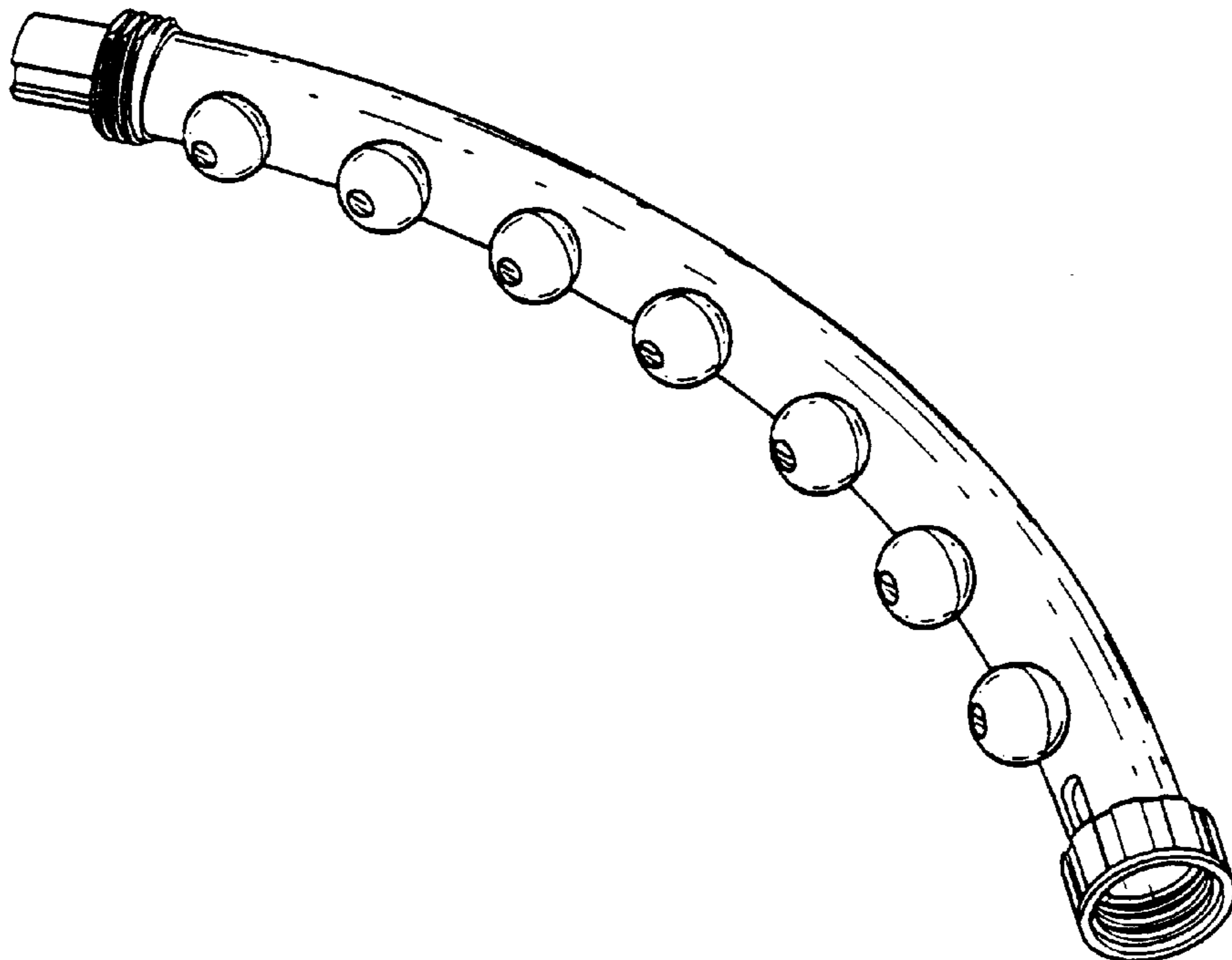
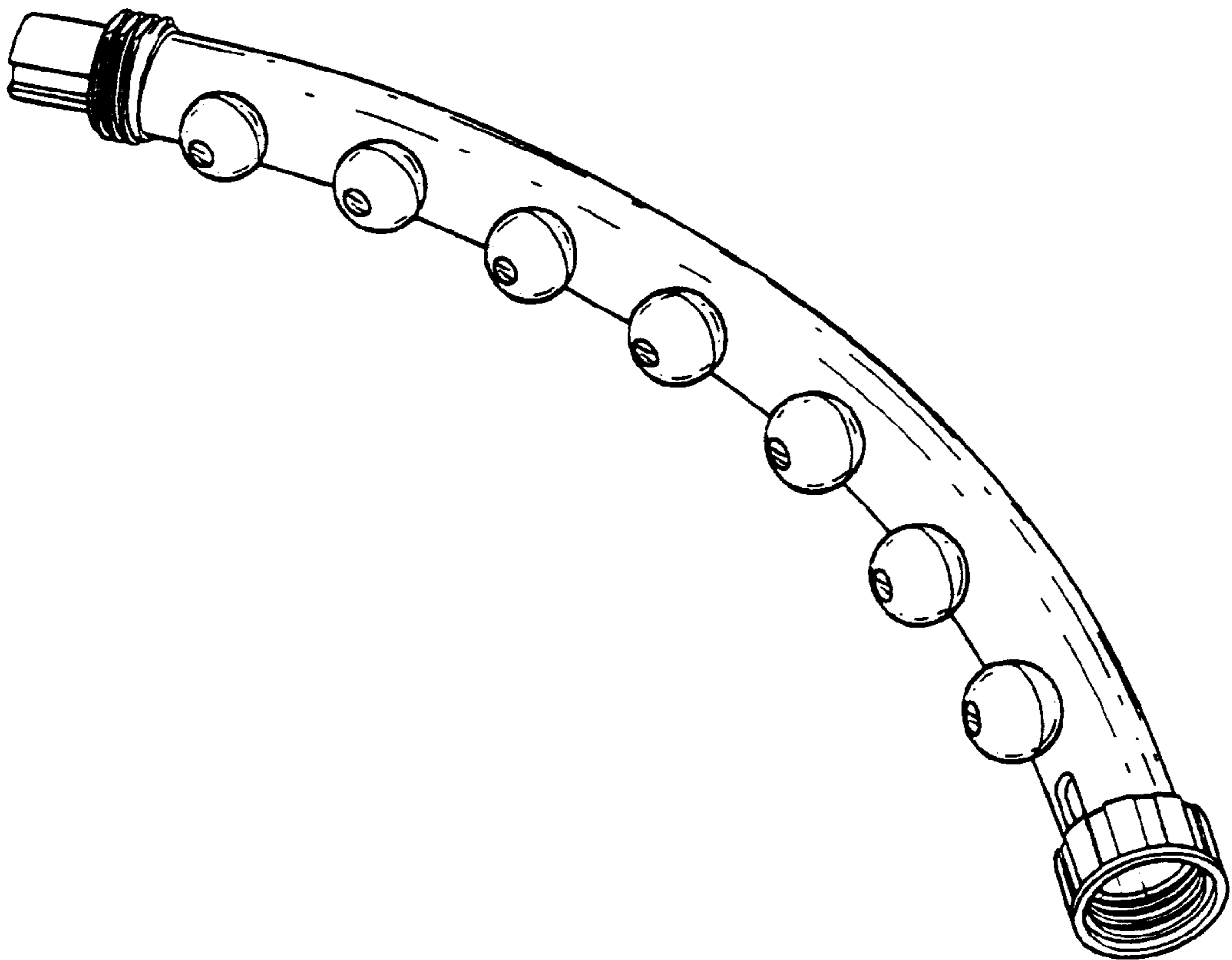


FIG. 1



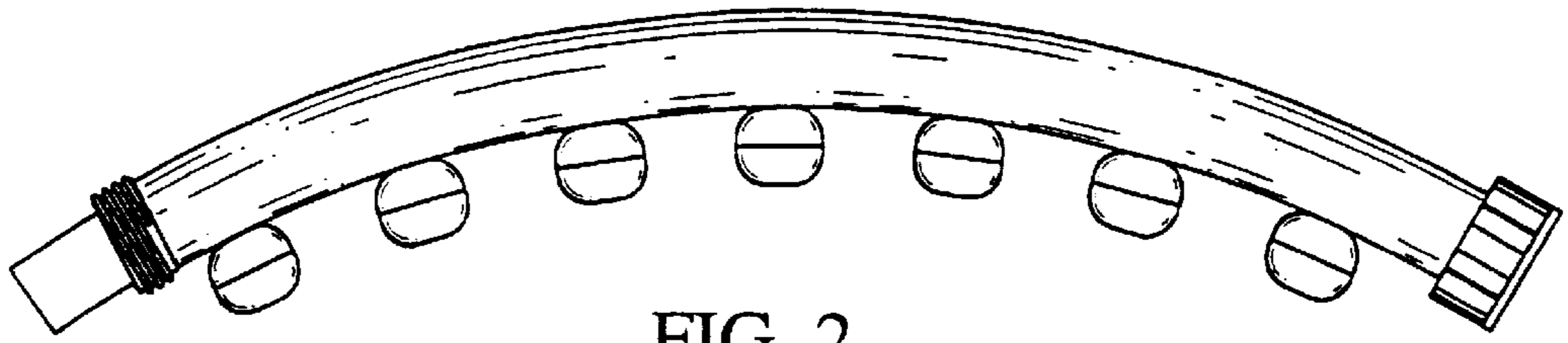


FIG. 2

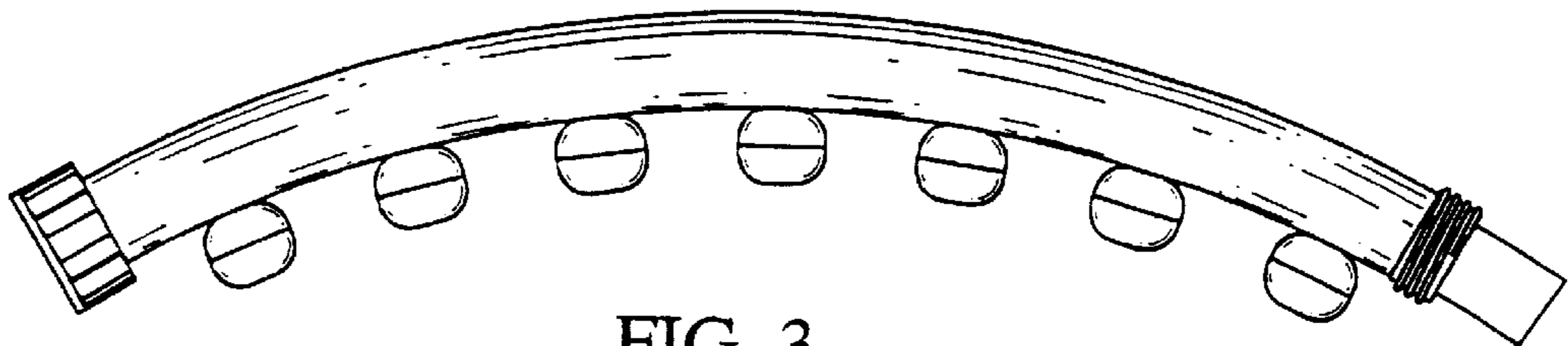


FIG. 3

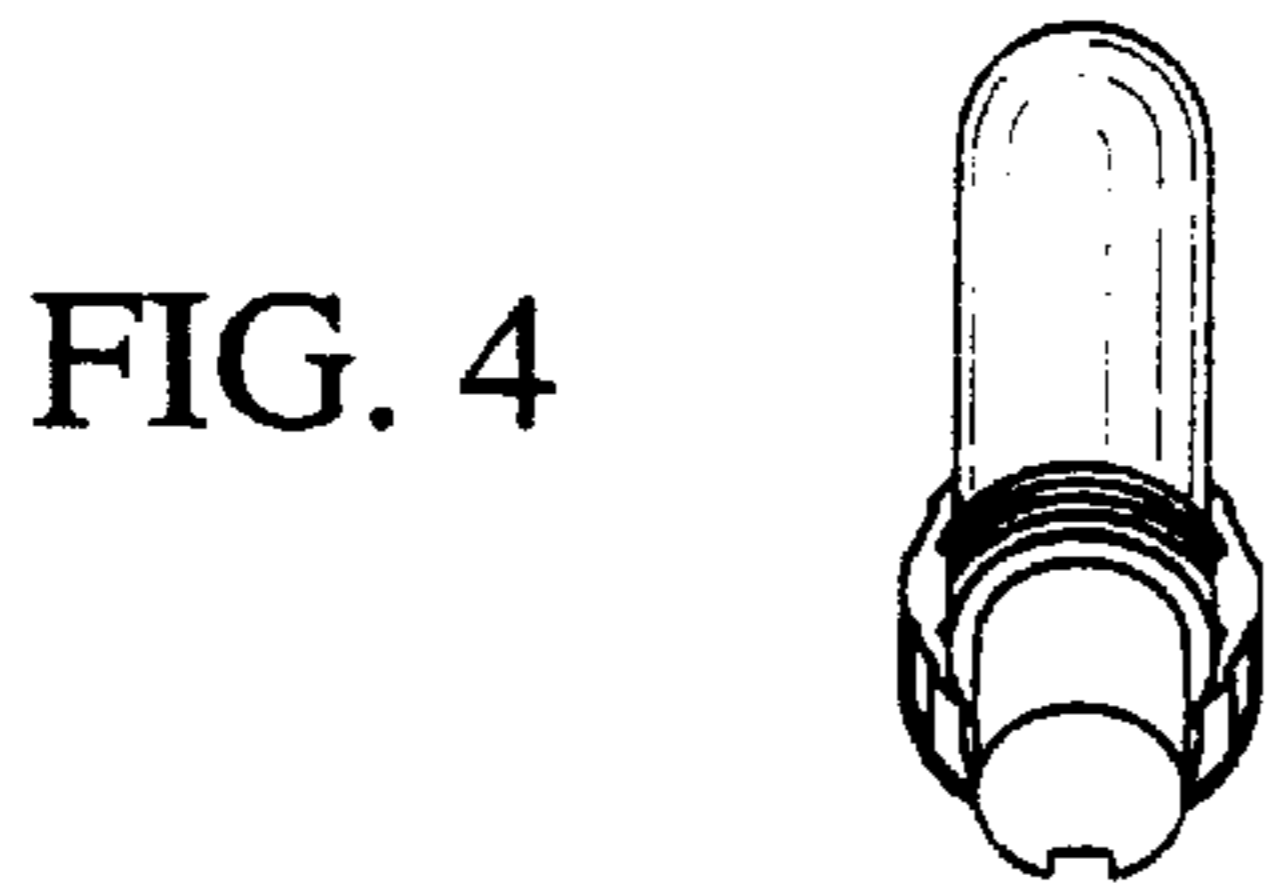


FIG. 4

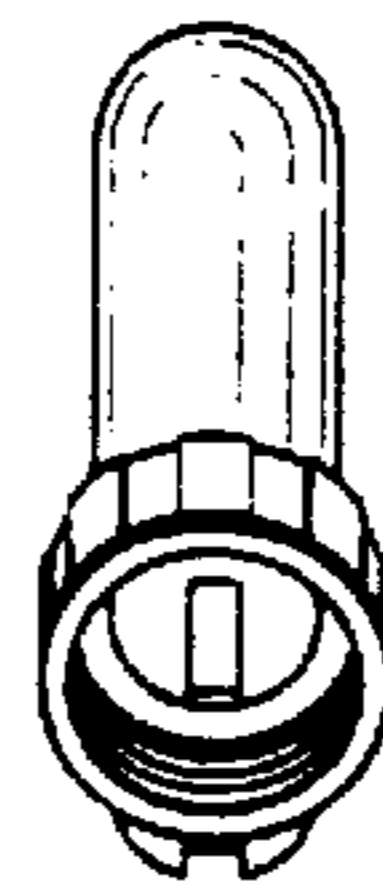


FIG. 5

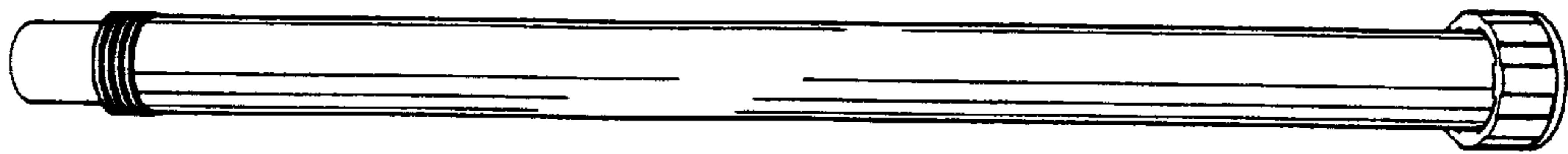


FIG. 6

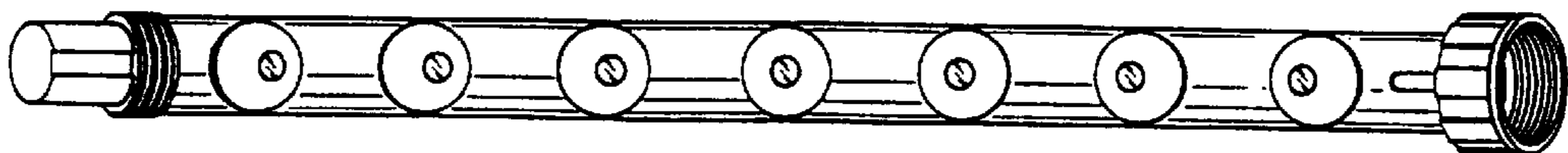


FIG. 7

FIG. 8

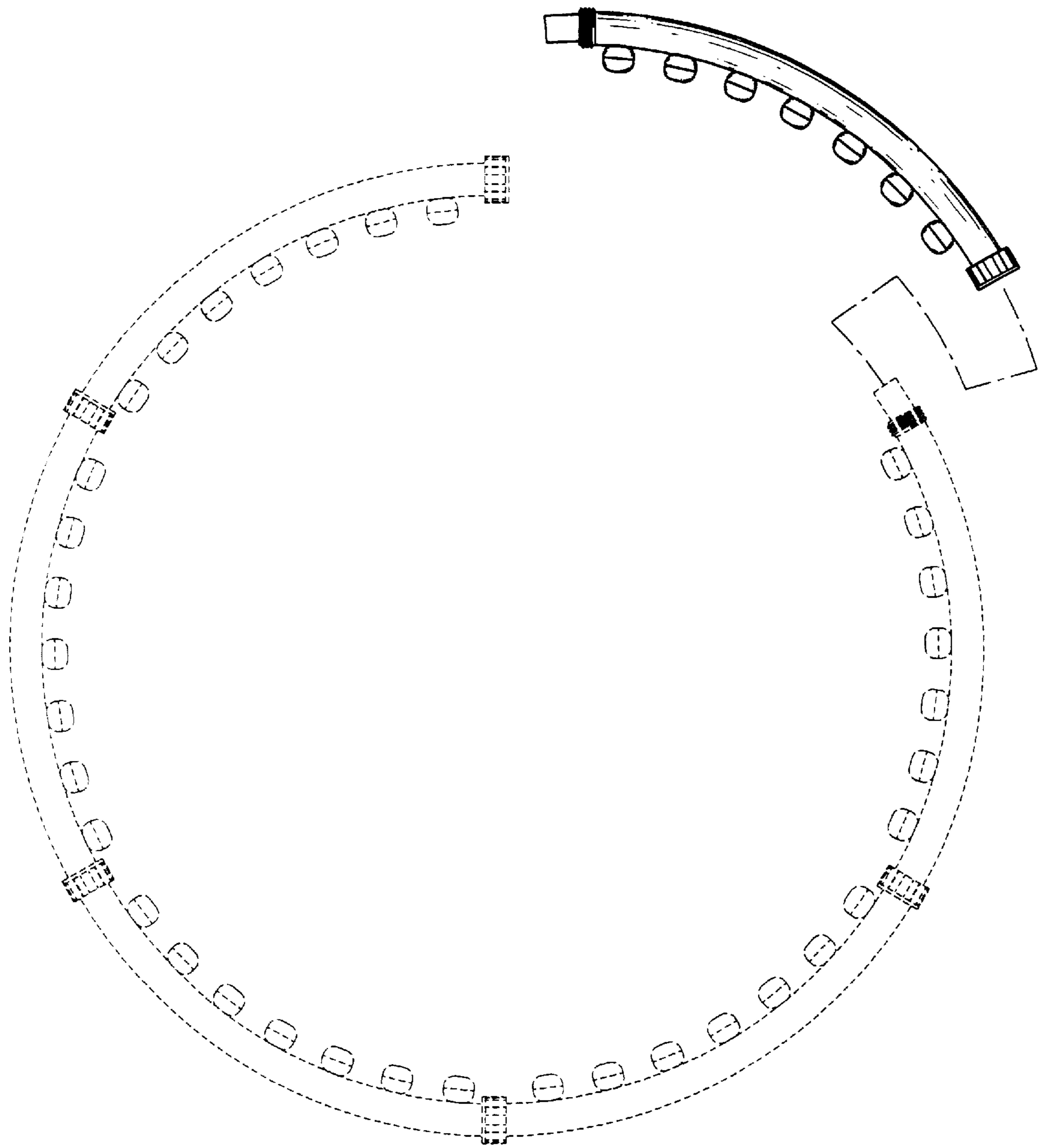


FIG. 9

