



US00D442223S

(12) **United States Design Patent** (10) **Patent No.:** **US D442,223 S**
To (45) **Date of Patent:** **** May 15, 2001**

(54) **CORRUGATED RING BINDER HOUSING**

(75) Inventor: **Chun Yuen To**, Shatin (HK)

(73) Assignee: **World Wide Stationery Mfg. Co., LTD**, Kwai Chung (HK)

(**) Term: **14 Years**

(21) Appl. No.: **29/091,397**

(22) Filed: **Jul. 29, 1998**

(51) **LOC (7) Cl.** **19-04**

(52) **U.S. Cl.** **D19/32**

(58) **Field of Search** D19/26, 27, 32;
281/27.1, 27.2, 27.3, 45, 51; 402/26, 31,
41, 60, 70, 80 R

(56) **References Cited**

U.S. PATENT DOCUMENTS

D. 389,182	*	1/1998	Law	D19/32
D. 397,146	*	8/1998	Chan	D19/32
5,807,006	*	9/1998	Cheung	402/38
5,842,807	*	12/1998	To	D19/32

* cited by examiner

Primary Examiner—Nelson C. Holtje
(74) *Attorney, Agent, or Firm*—Wolf, Greenfield & Sacks, P.C.

(57) **CLAIM**

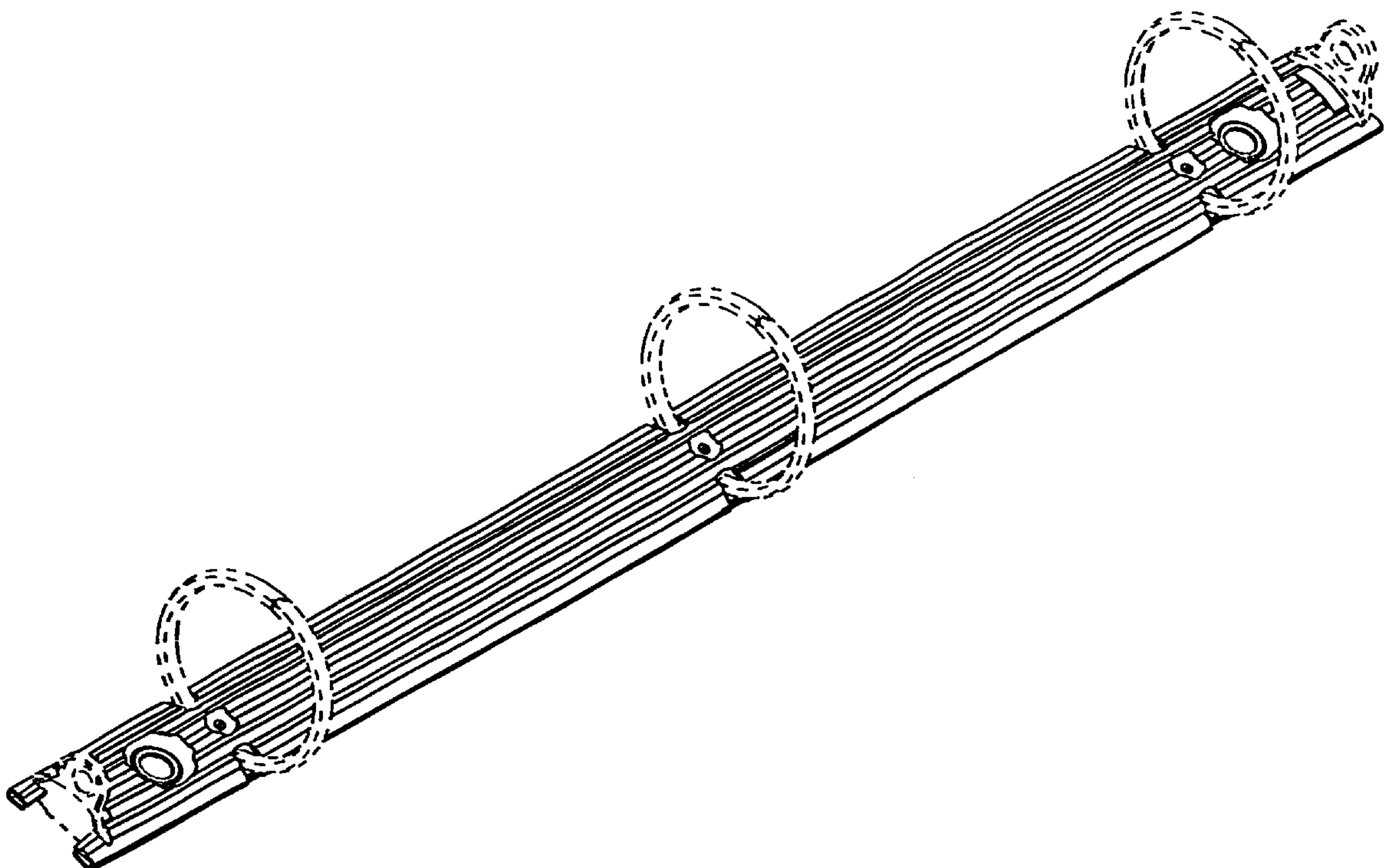
The ornamental design for a corrugated ring binder housing, as shown and described.

DESCRIPTION

FIG. 1 is an isometric view of a corrugated ring binder housing showing my new design;
FIG. 2 is a side elevational view thereof;
FIG. 3 is a top plan view thereof;
FIG. 4 is another perspective view thereof with the broken-line rings in the open position;
FIG. 5 is a cross-sectional view thereof; and,
FIG. 6 is another top plan view thereof.

The broken-line showings are environmental only and form no part of the claimed design.

1 Claim, 2 Drawing Sheets



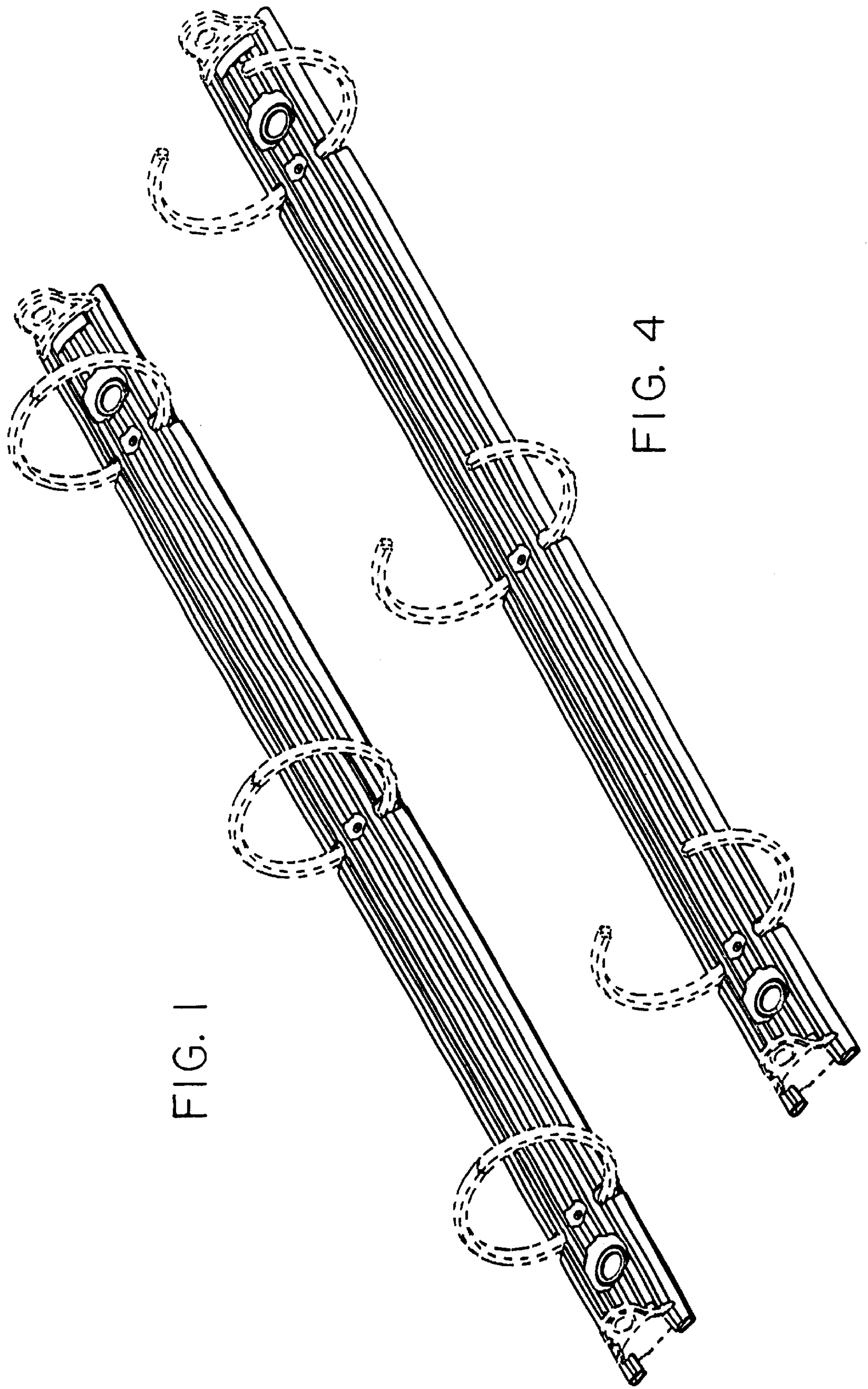


FIG. 1

FIG. 4

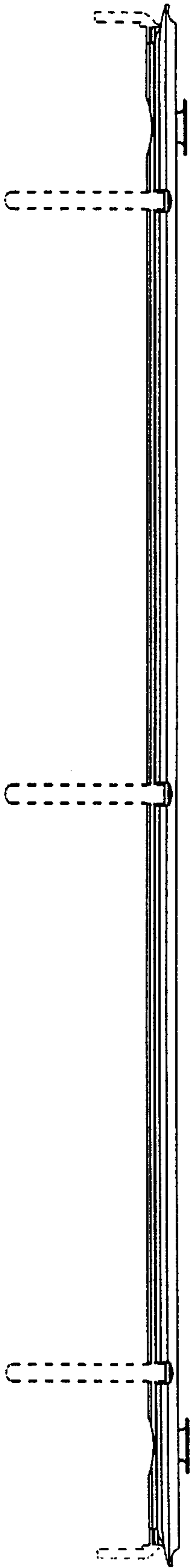


FIG. 2

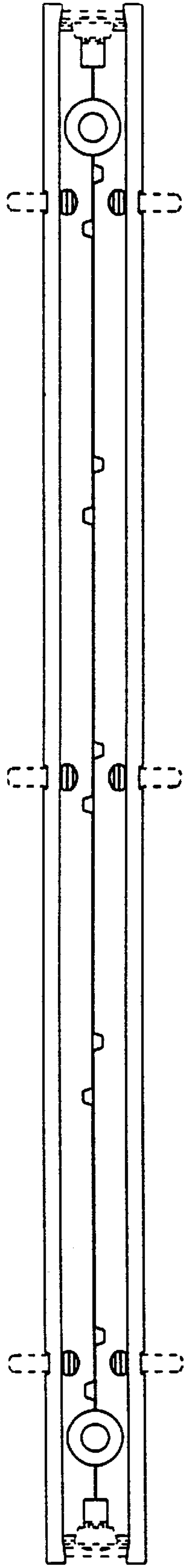


FIG. 3

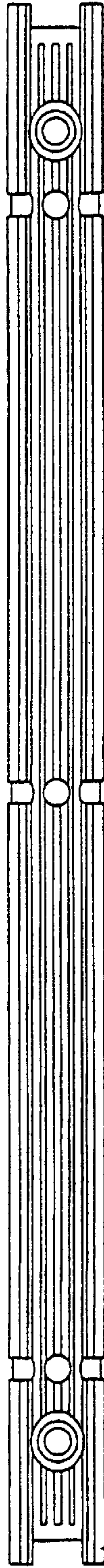


FIG. 6

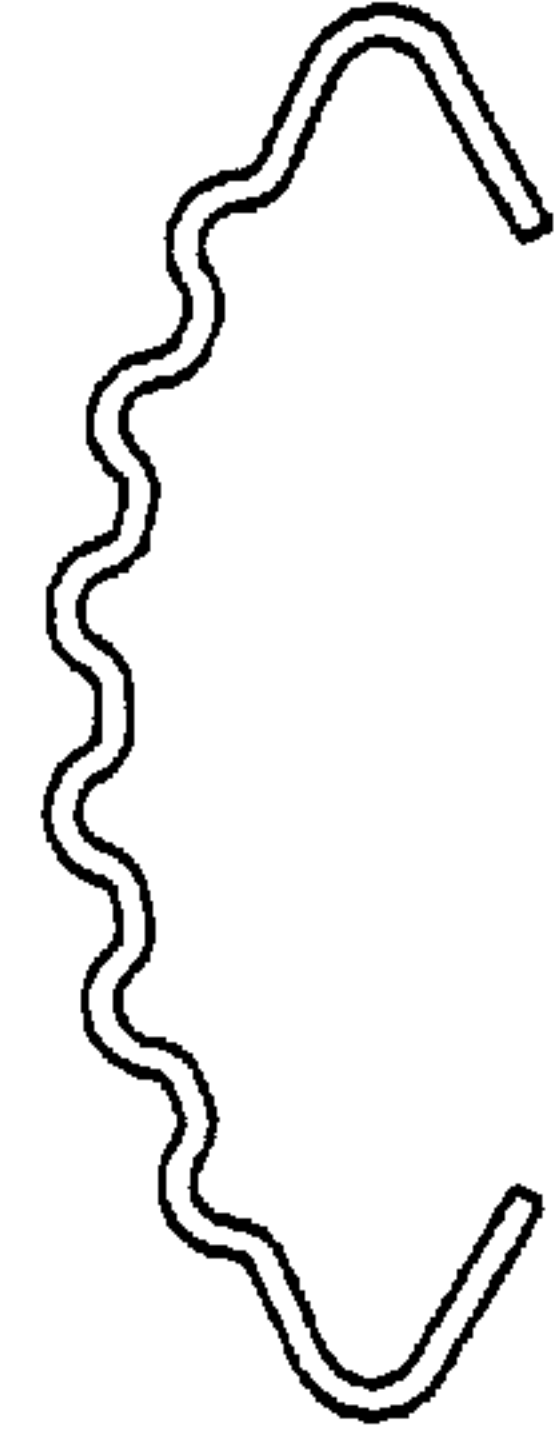


FIG. 5