



US00D442219S

(12) **United States Design Patent**
Chou et al.

(10) **Patent No.:** **US D442,219 S**

(45) **Date of Patent:** **** May 15, 2001**

(54) **INK CARTRIDGE FOR A PRINTER**

(75) Inventors: **Ching-yu Chou; Alan Yeh**, both of
Hsin Chu (TW)

(73) Assignee: **Wisertek International Corp. (TW)**

(**) Term: **14 Years**

(21) Appl. No.: **29/119,538**

(22) Filed: **Mar. 3, 2000**

(51) **LOC (7) Cl.** **18-02**

(52) **U.S. Cl.** **D18/56**

(58) **Field of Search** D18/36-39, 56;
347/86, 87

(56) **References Cited**

U.S. PATENT DOCUMENTS

- D. 369,383 * 4/1996 Miyazawa et al. D18/56
- D. 381,039 * 7/1997 Shinada et al. D18/56
- D. 389,180 * 1/1998 Miyazawa et al. D18/56
- D. 390,598 * 2/1998 Miyazawa et al. D18/56

- D. 401,620 * 11/1998 Nozawa et al. D18/56
- D. 427,236 * 6/2000 Shinada et al. D18/56
- D. 430,603 * 9/2000 Maeda et al. D18/56
- 6,059,916 * 5/2000 Betschon 347/86
- 6,137,513 * 10/2000 Pawlowski, Jr. et al. 347/86

* cited by examiner

Primary Examiner—Cathy Anne MacCormac

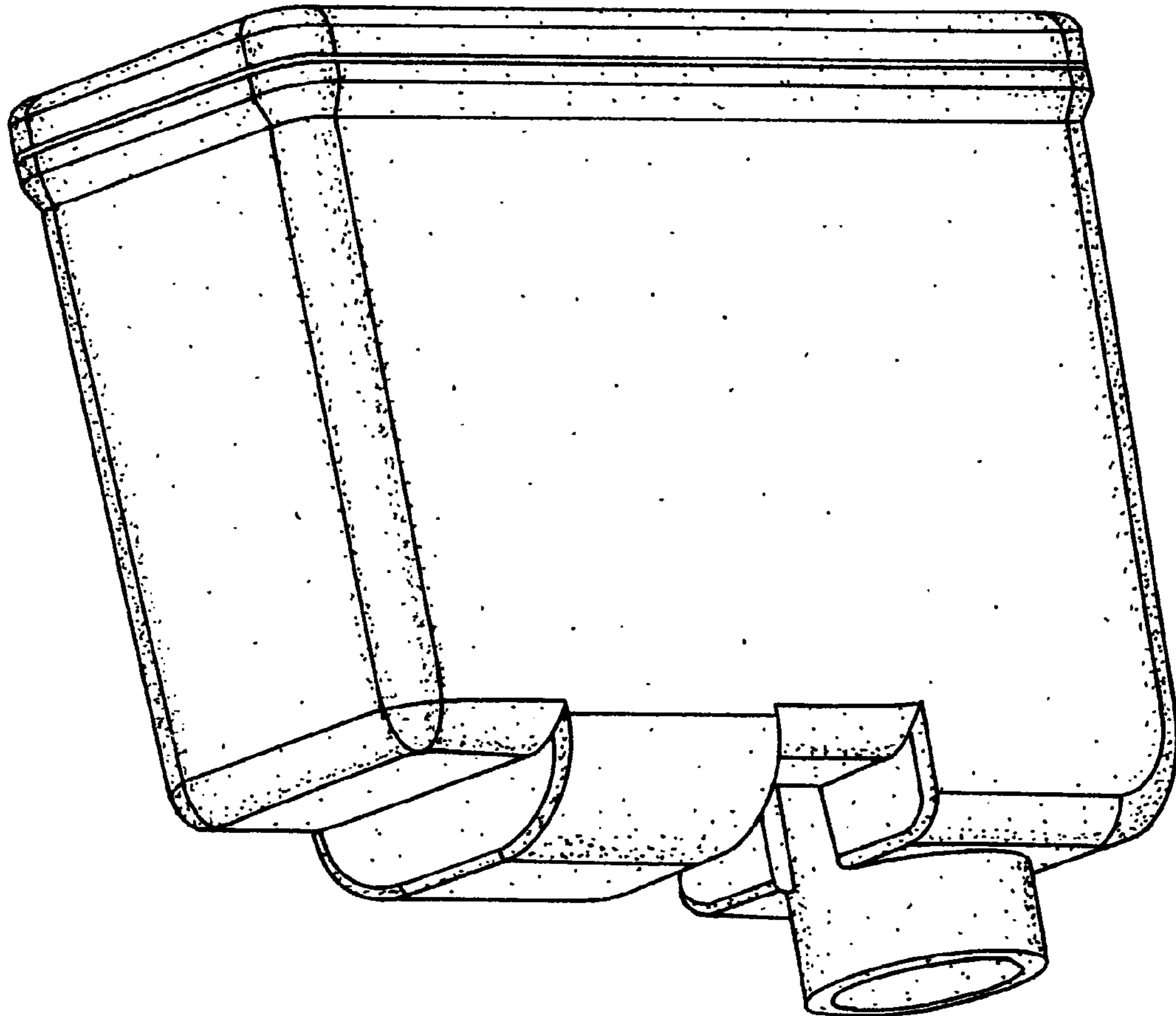
(57) **CLAIM**

The ornamental design for an ink cartridge for a printer, as shown and described.

DESCRIPTION

FIG. 1 is a perspective view of an ink cartridge for a printer that shows our new design;
 FIG. 2 is a right side view thereof;
 FIG. 3 is a top plan view thereof;
 FIG. 4 is a front elevational view thereof;
 FIG. 5 is a bottom plane view thereof;
 FIG. 6 is a left side view thereof; and,
 FIG. 7 is a rear elevational view thereof.

1 Claim, 4 Drawing Sheets



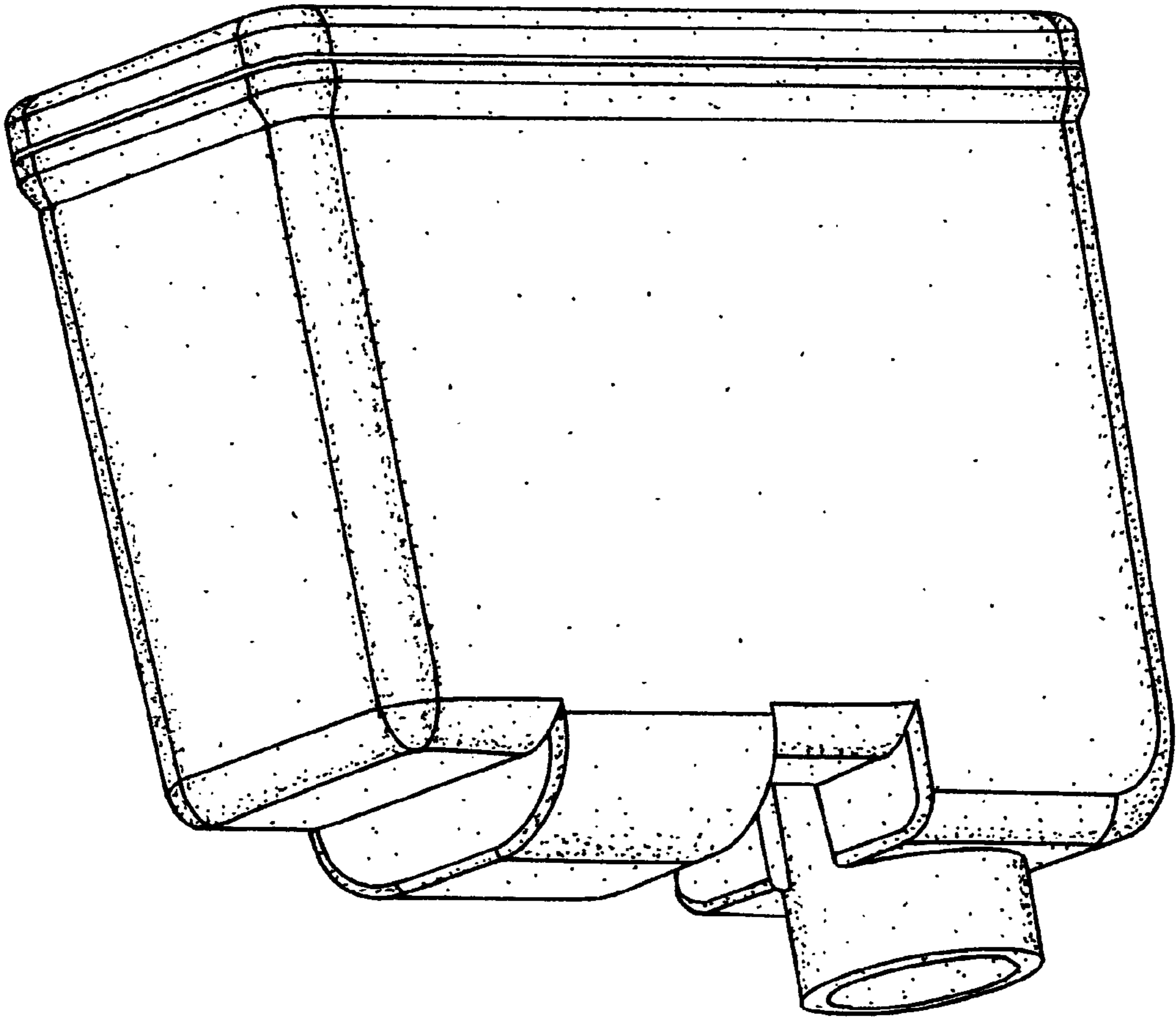


FIG. 1

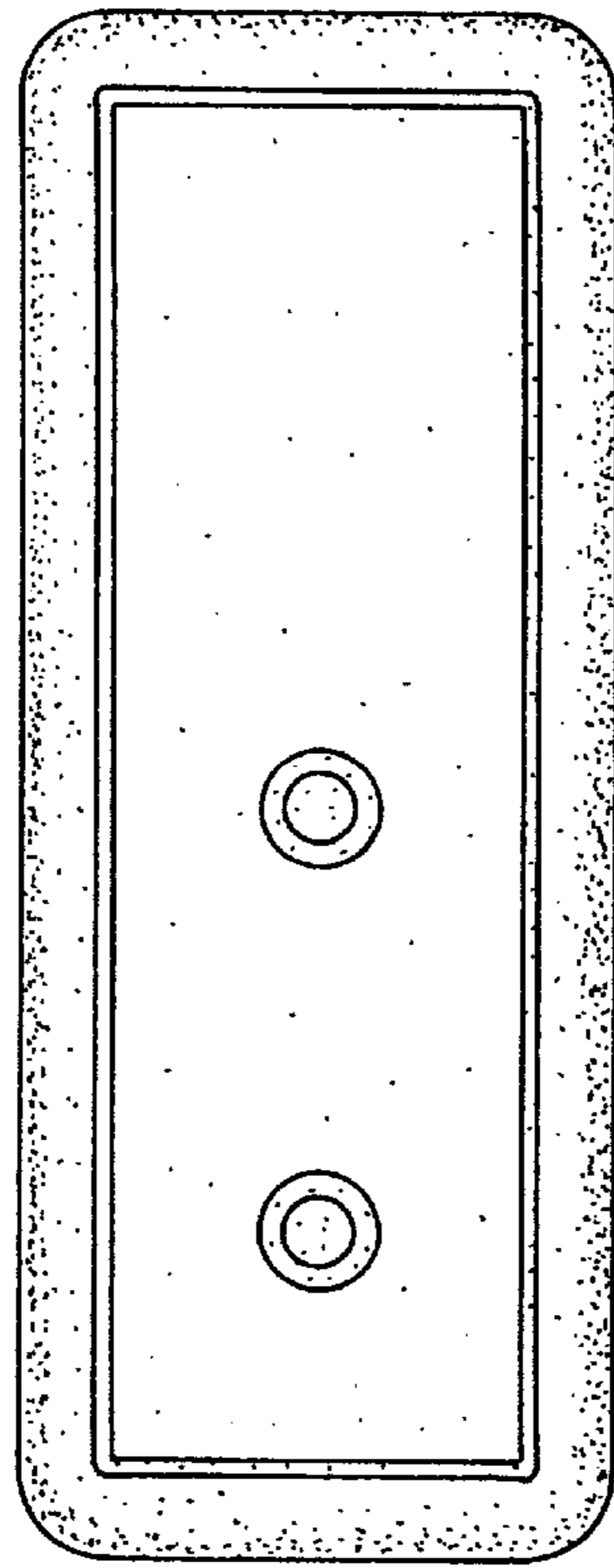


FIG. 3

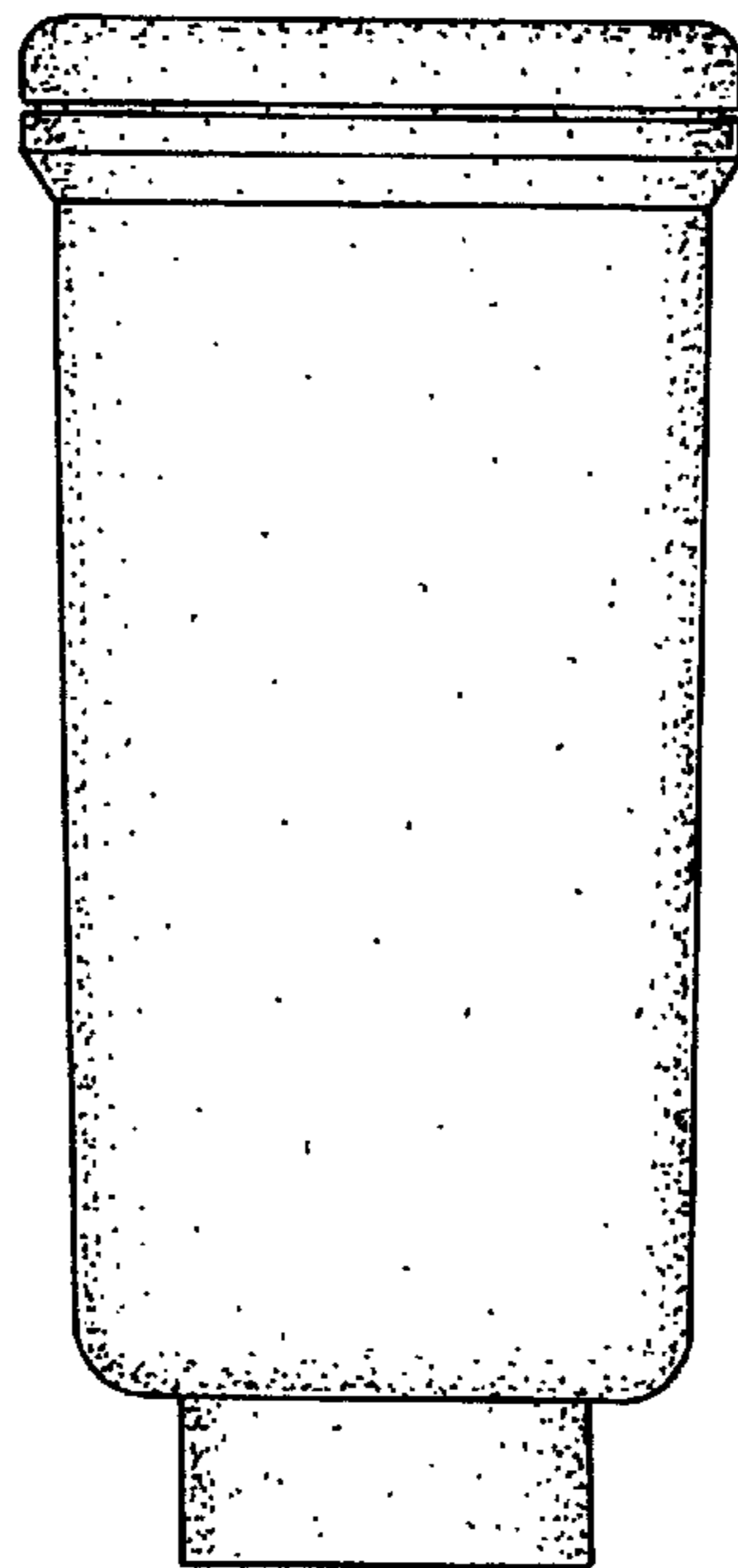


FIG. 2

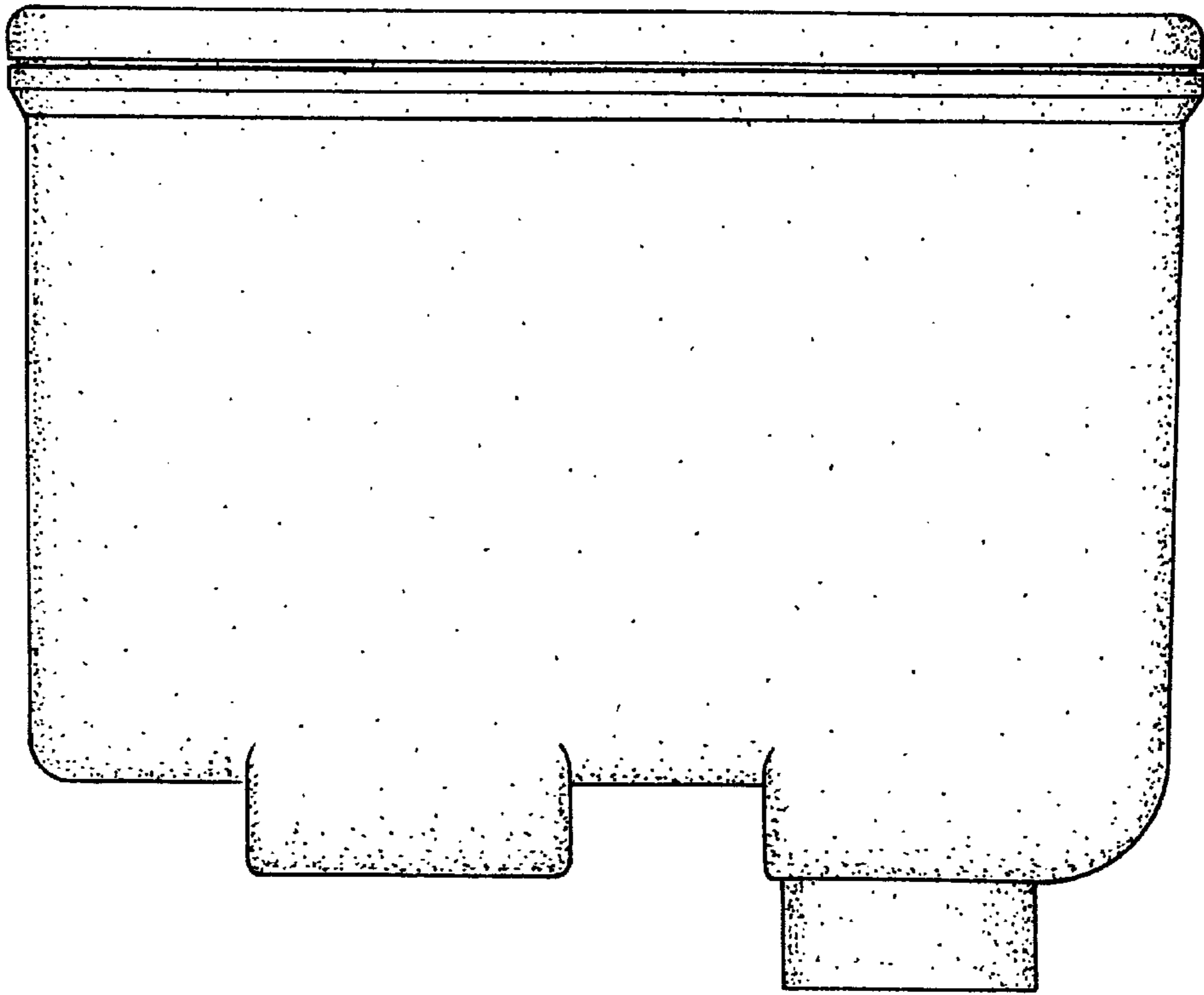


FIG. 4

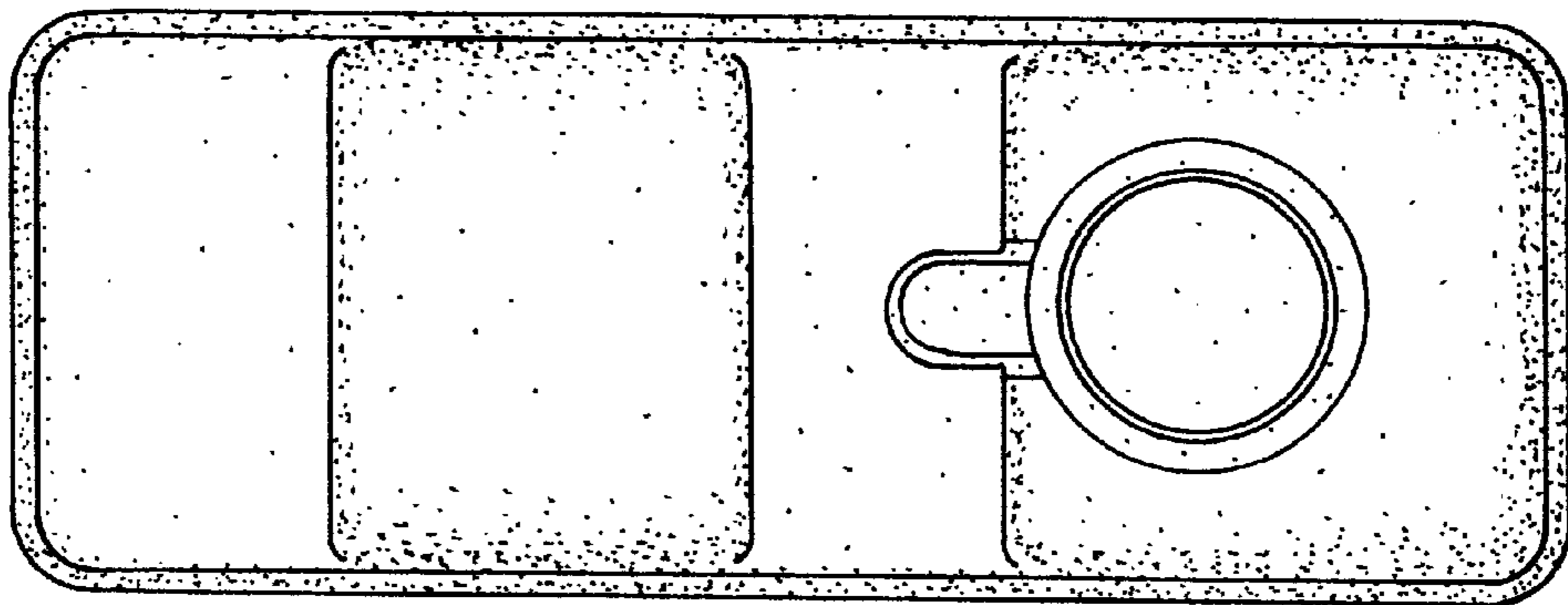


FIG. 5

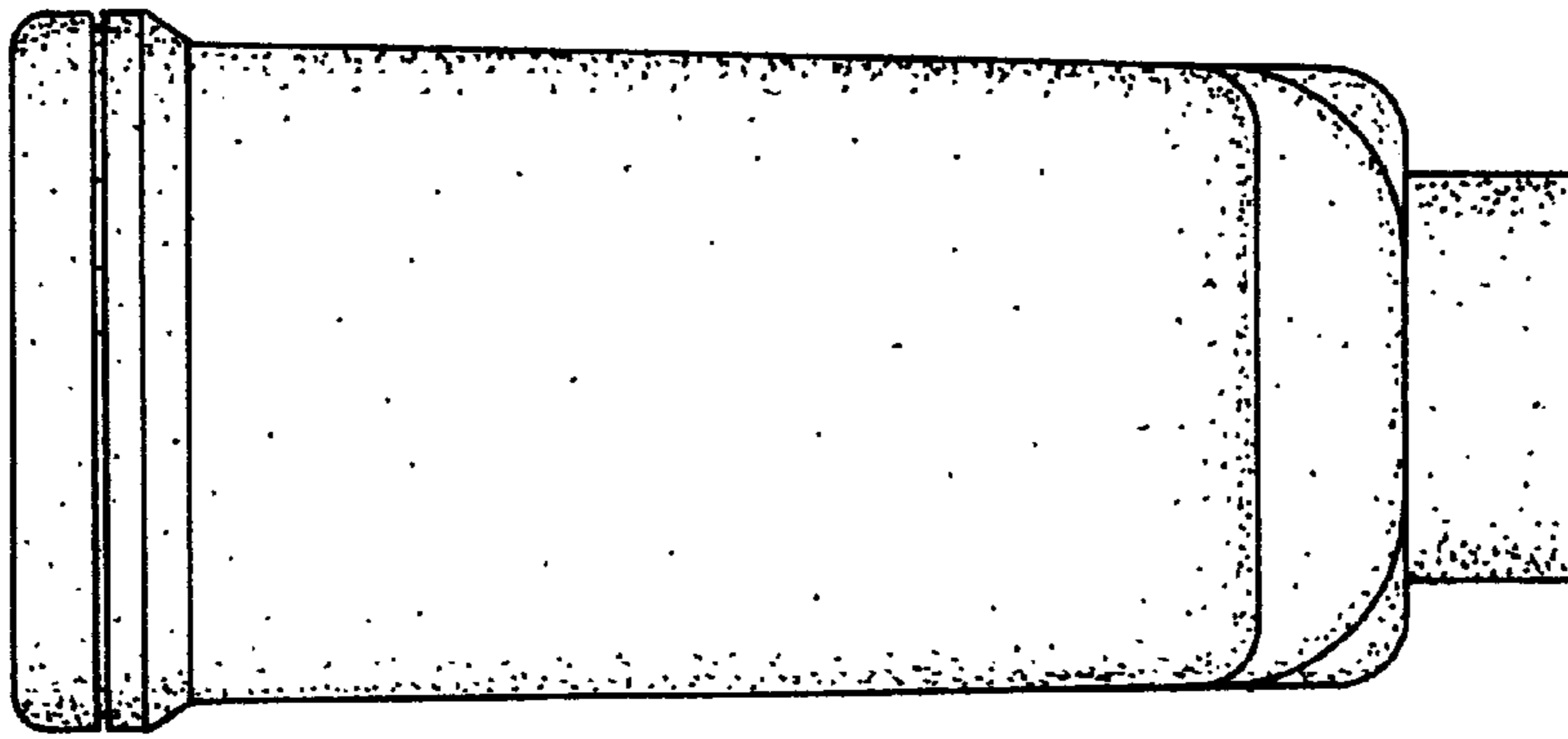


FIG. 6

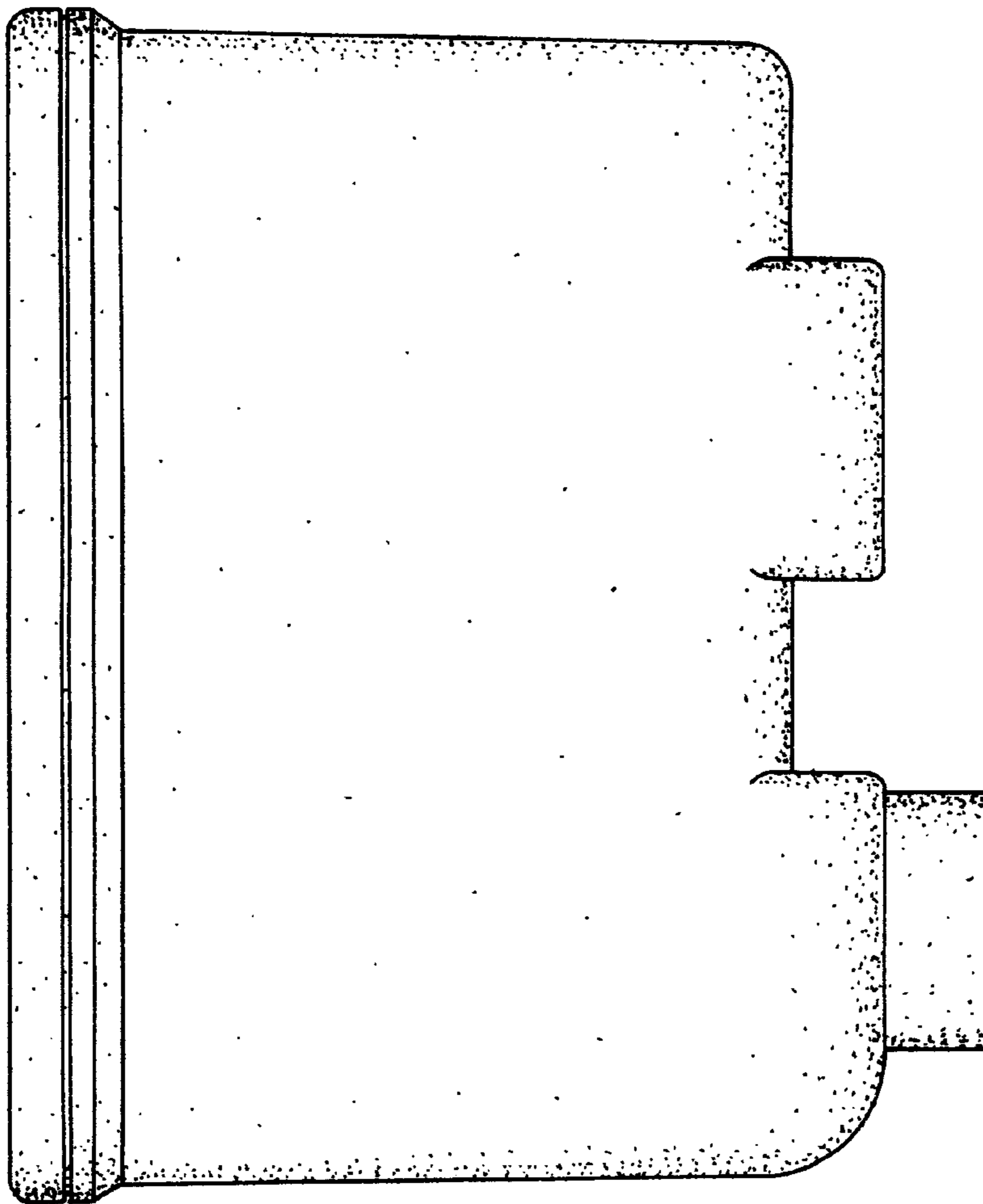


FIG. 7