



US00D442218S

(12) **United States Design Patent**
Kobayashi et al.

(10) **Patent No.:** **US D442,218 S**

(45) **Date of Patent:** **** May 15, 2001**

(54) **INKJET PRINTER**

(75) Inventors: **Masahiko Kobayashi; Takashi Yoshida**, both of Nagano-ken (JP)

(73) Assignee: **Seiko Epson Corporation**, Tokyo (JP)

(**) Term: **14 Years**

(21) Appl. No.: **29/119,934**

(22) Filed: **Mar. 10, 2000**

(30) **Foreign Application Priority Data**

Sep. 10, 1999 (JP) 11-24446

(51) **LOC (7) Cl.** **18-02**

(52) **U.S. Cl.** **D18/55**

(58) **Field of Search** D18/50, 54-55;
400/691-694, 613, 613.1-613.4, 690.1-690.4;
D14/462-470

(56) **References Cited**

U.S. PATENT DOCUMENTS

- D. 370,025 * 5/1996 Weng D18/50
- D. 378,378 * 3/1997 Nakazawa et al. D18/54
- D. 382,583 * 8/1997 Takahashi et al. D18/55
- D. 385,296 * 10/1997 Iwai et al. D18/54
- D. 390,258 * 2/1998 Kawahara et al. D18/55
- D. 393,870 * 4/1998 Kobayashi et al. D18/55

- D. 400,918 * 11/1998 Kobayashi et al. D18/55
- D. 411,228 * 6/1999 Kobayashi et al. D18/50
- D. 421,768 * 3/2000 Blair et al. D18/50
- D. 430,894 * 9/2000 Inoue D18/54
- D. 432,565 * 10/2000 Gasset et al. D18/55
- D. 433,442 * 11/2000 Clark, III D18/55

* cited by examiner

Primary Examiner—Cathy Anne MacCormac

(74) *Attorney, Agent, or Firm*—Stroock & Stroock & Lavan LLP

(57) **CLAIM**

The ornamental design for an inkjet printer, as shown and described.

DESCRIPTION

FIG. 1 is a front perspective view of an inkjet printer showing our new design;
 FIG. 2 is a front elevational view thereof;
 FIG. 3 is a rear elevational view thereof;
 FIG. 4 is a top plan view thereof;
 FIG. 5 is a right side elevational view thereof;
 FIG. 6 is a left side elevational view thereof;
 FIG. 7 is a bottom plan view thereof; and,
 FIG. 8 is another front perspective view thereof with components in an alternate position.

1 Claim, 6 Drawing Sheets

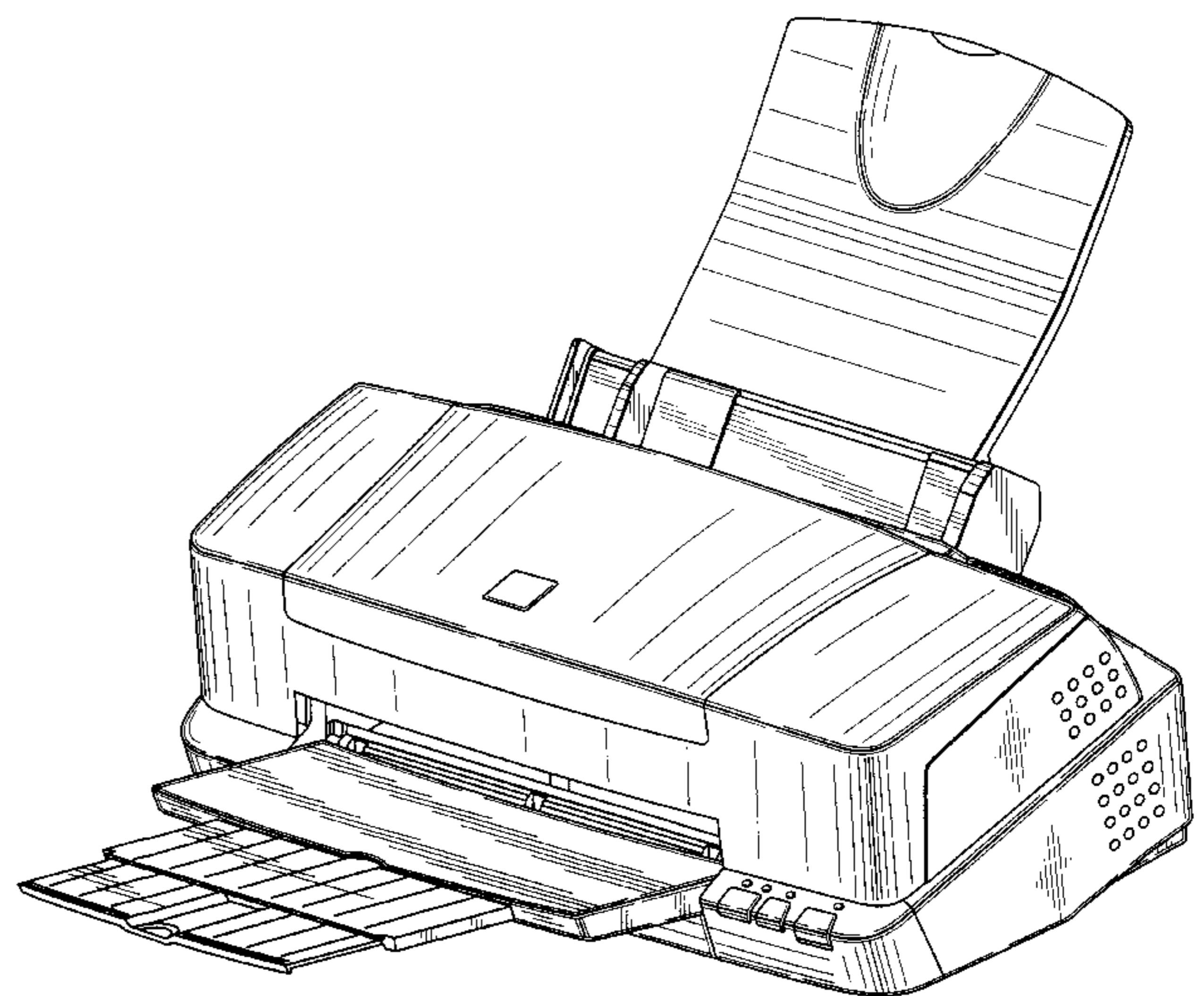
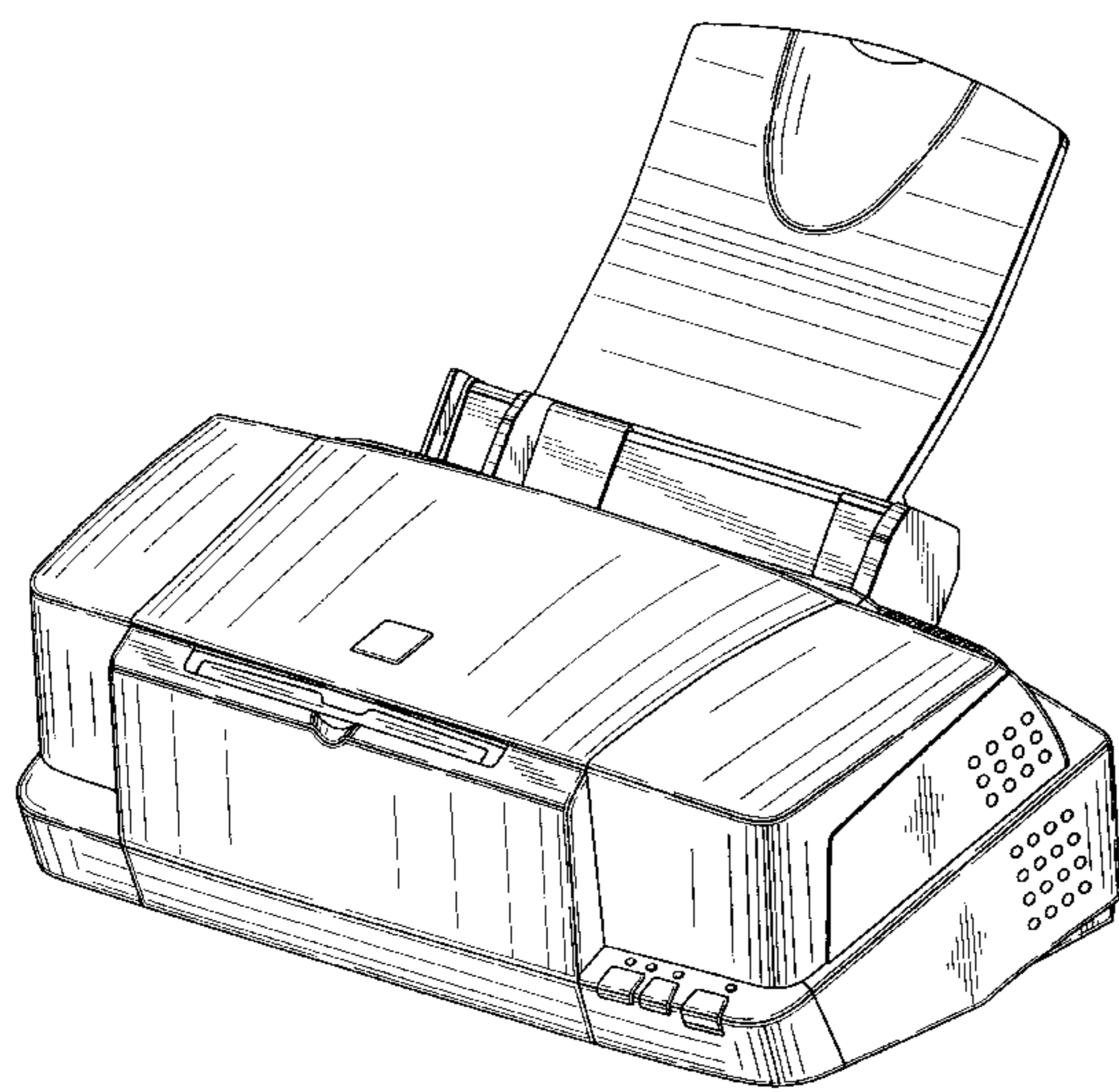


FIG. 1

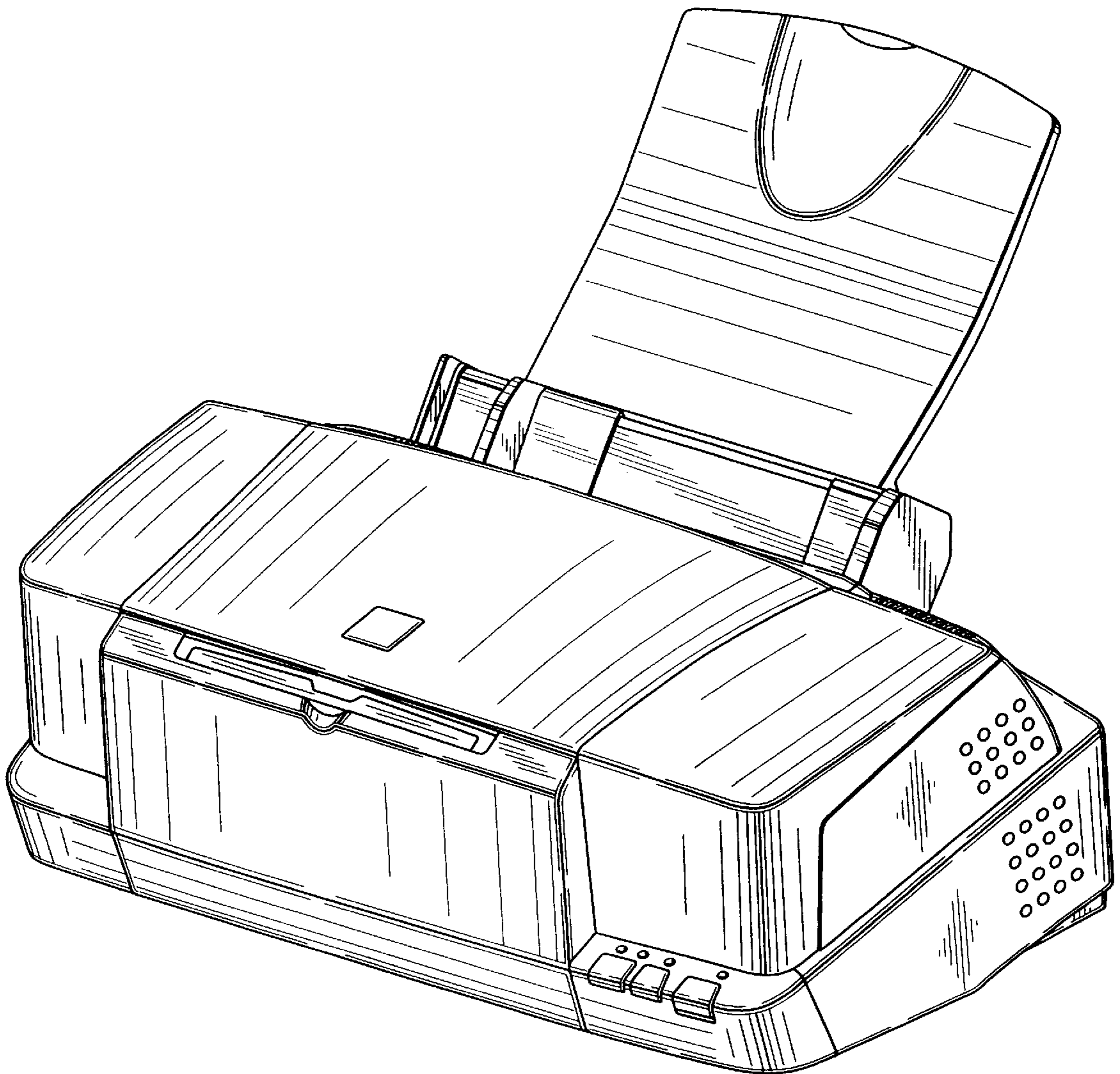


FIG. 2

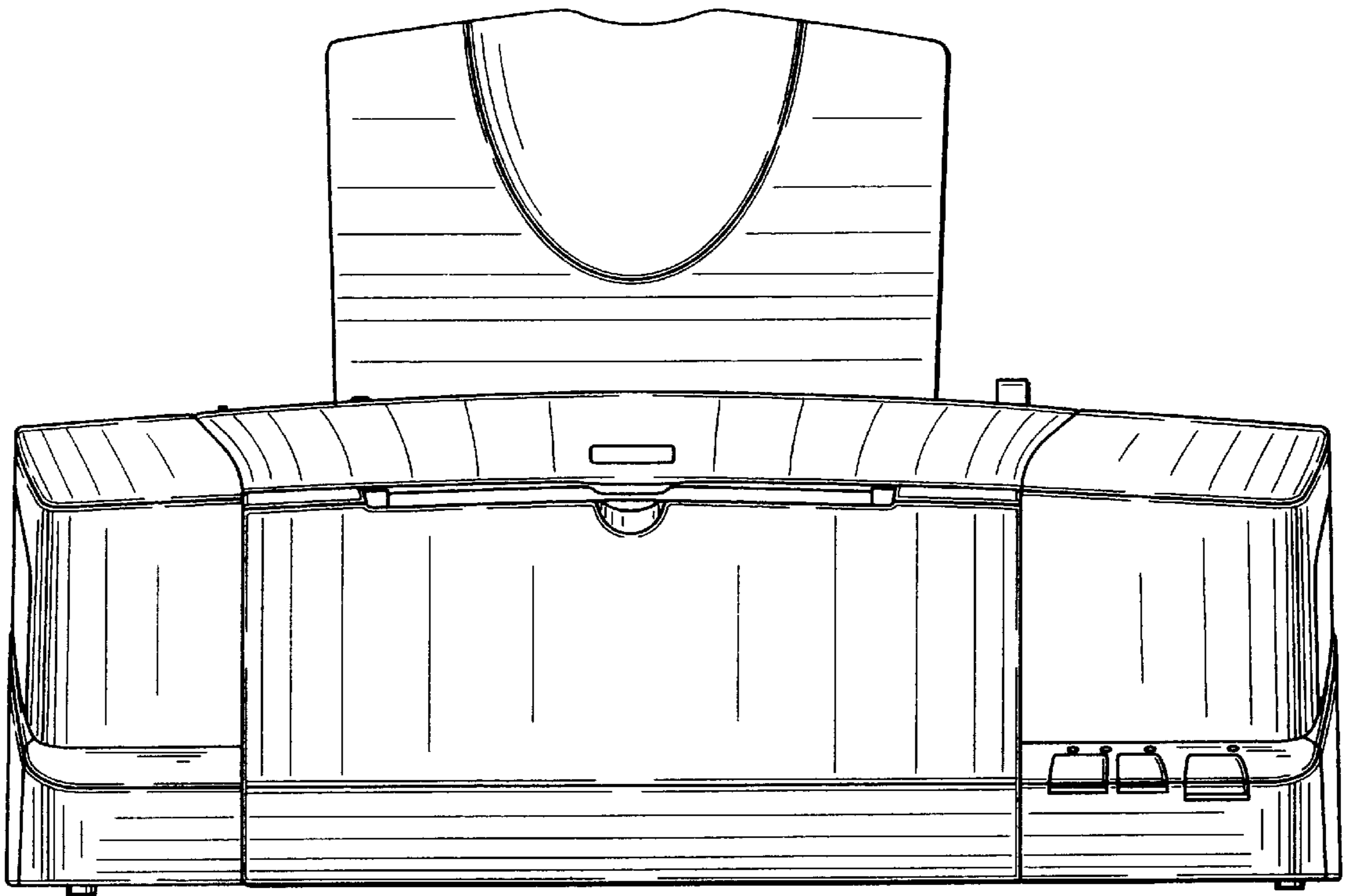


FIG. 3

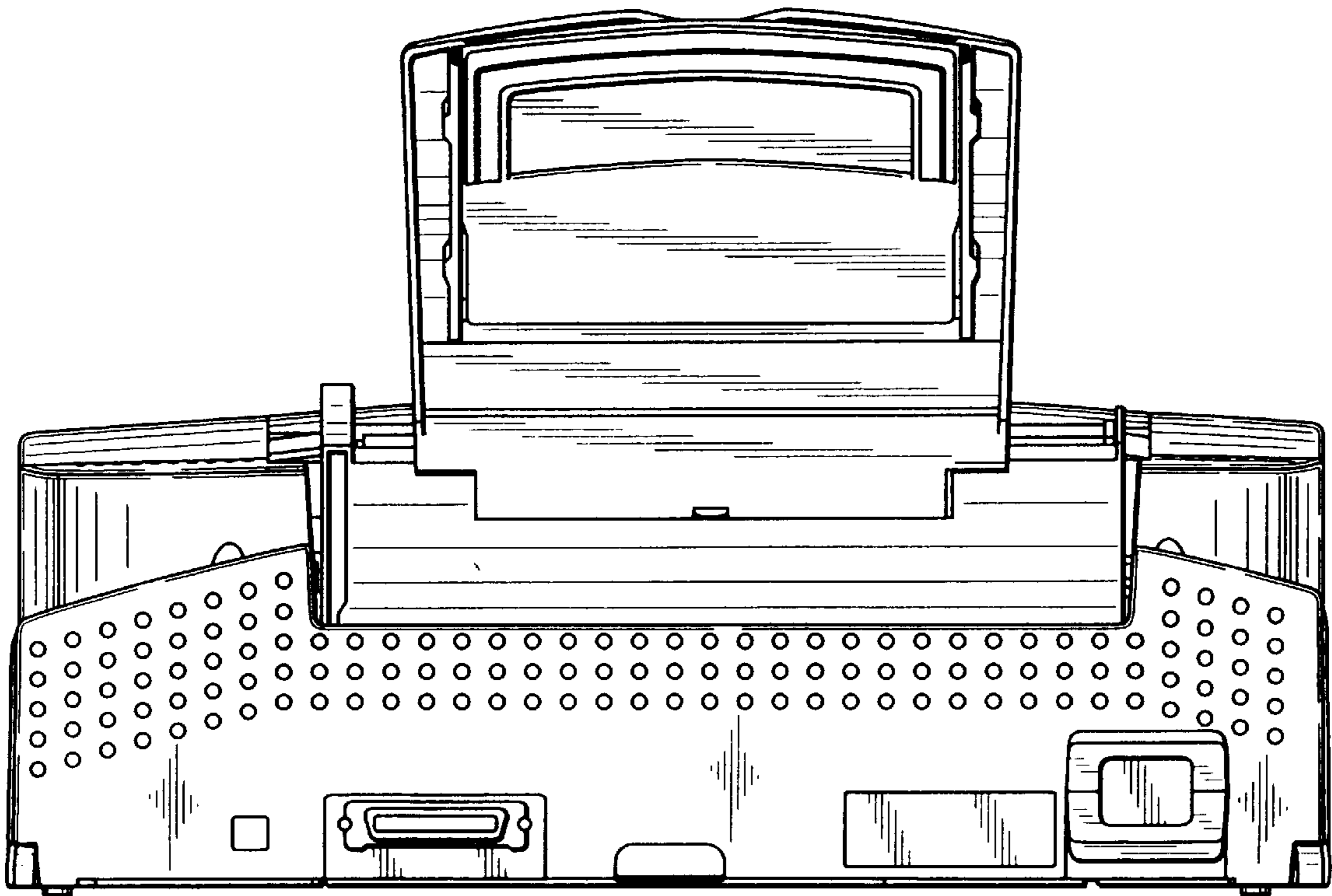


FIG. 4

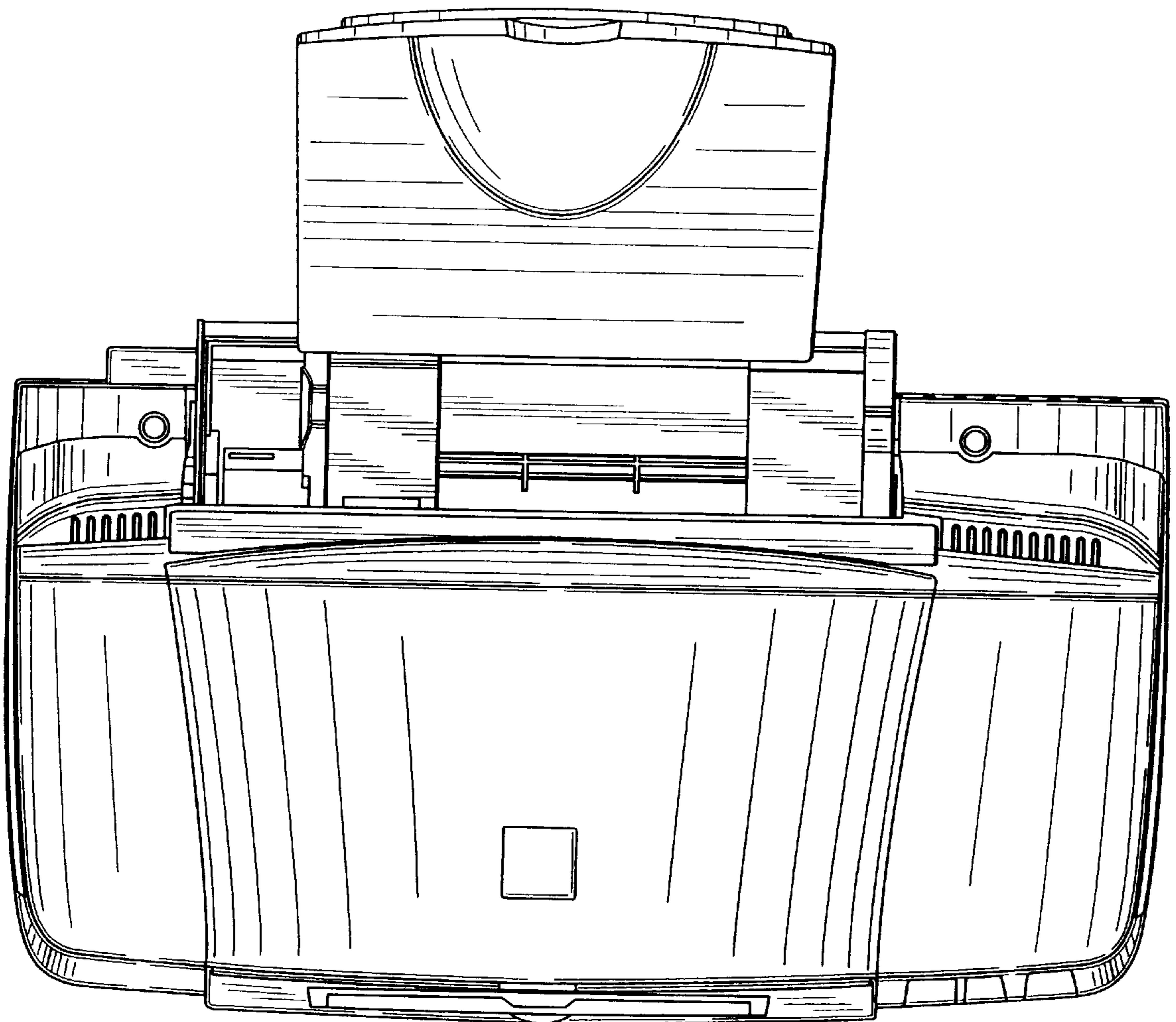


FIG. 5

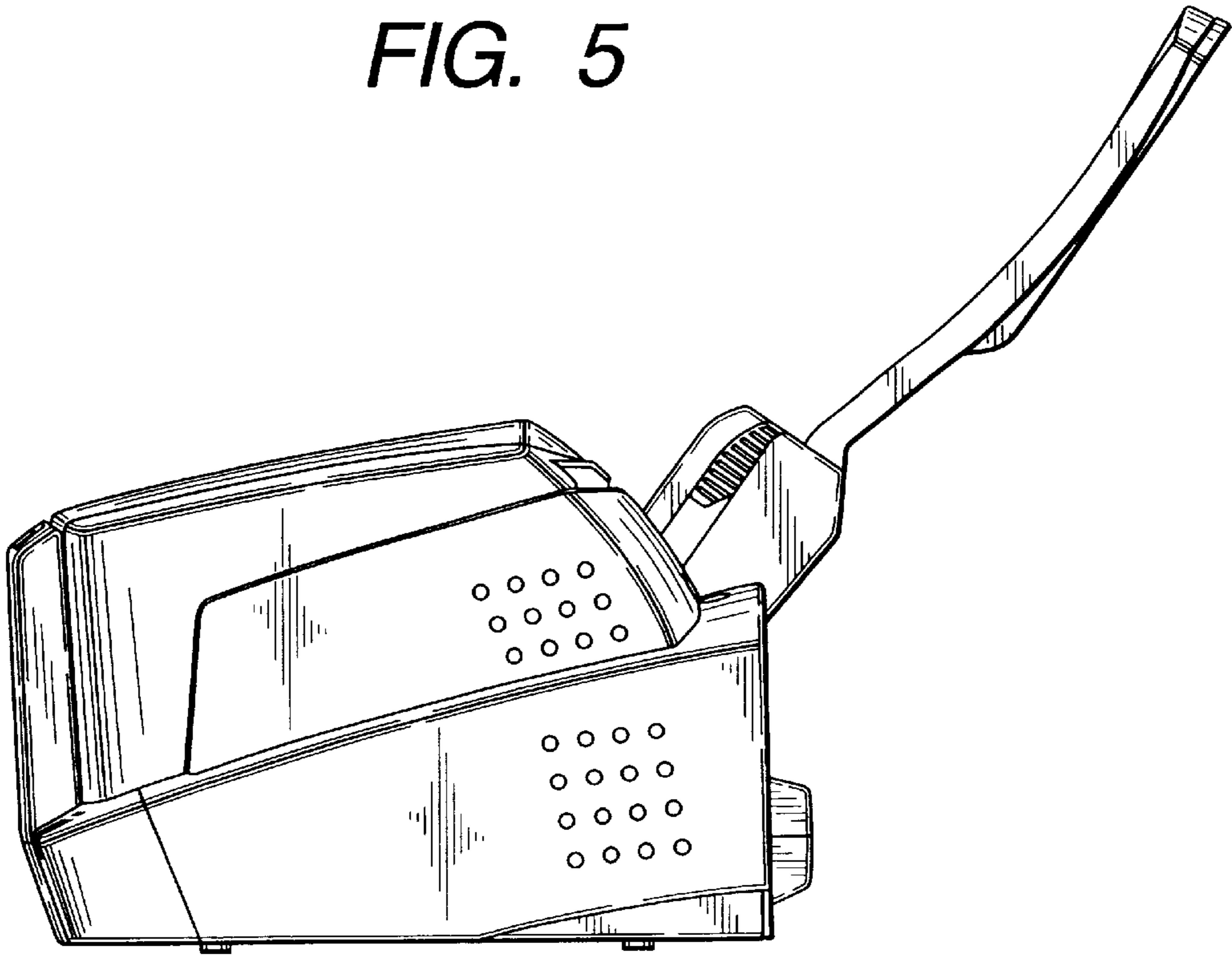


FIG. 6

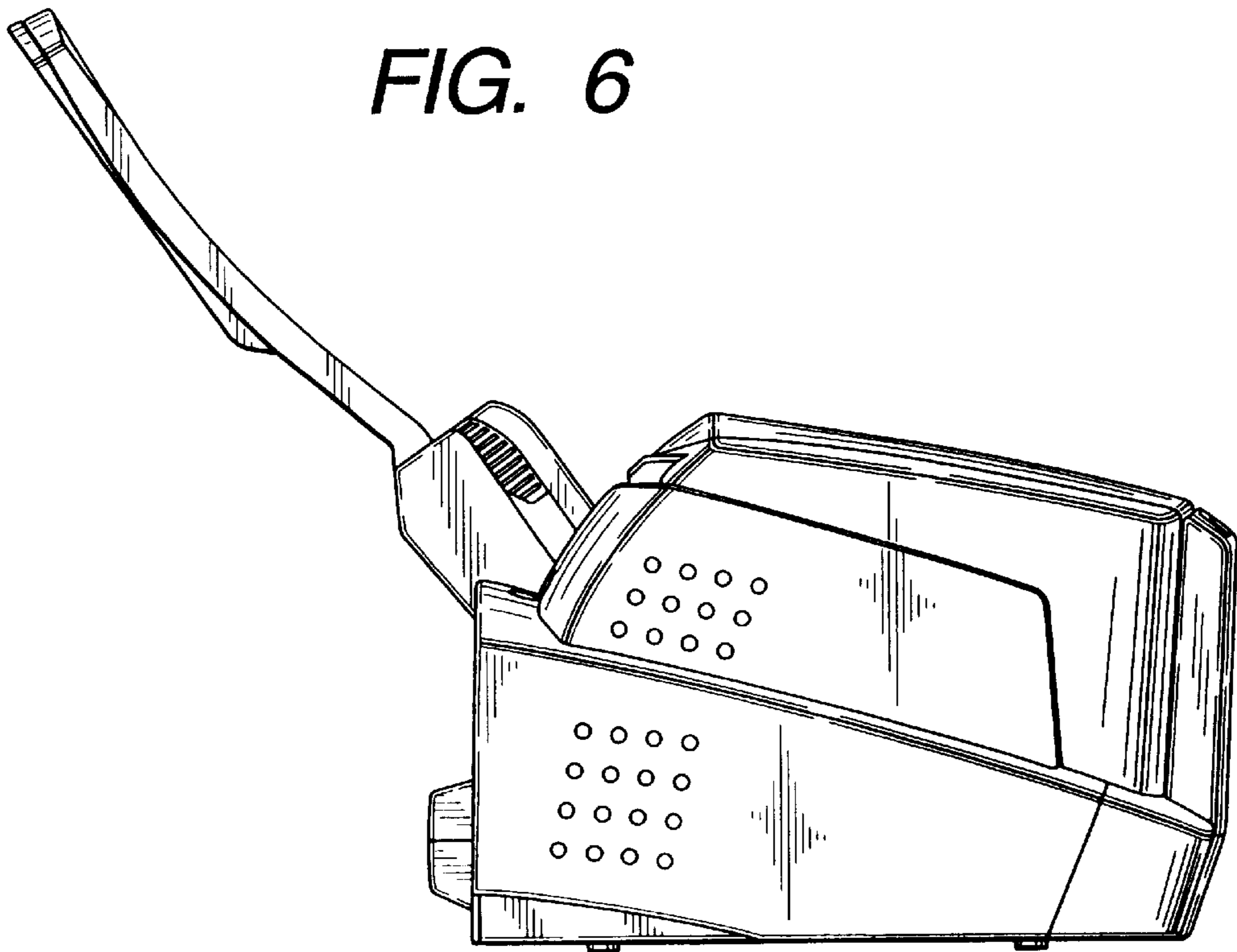
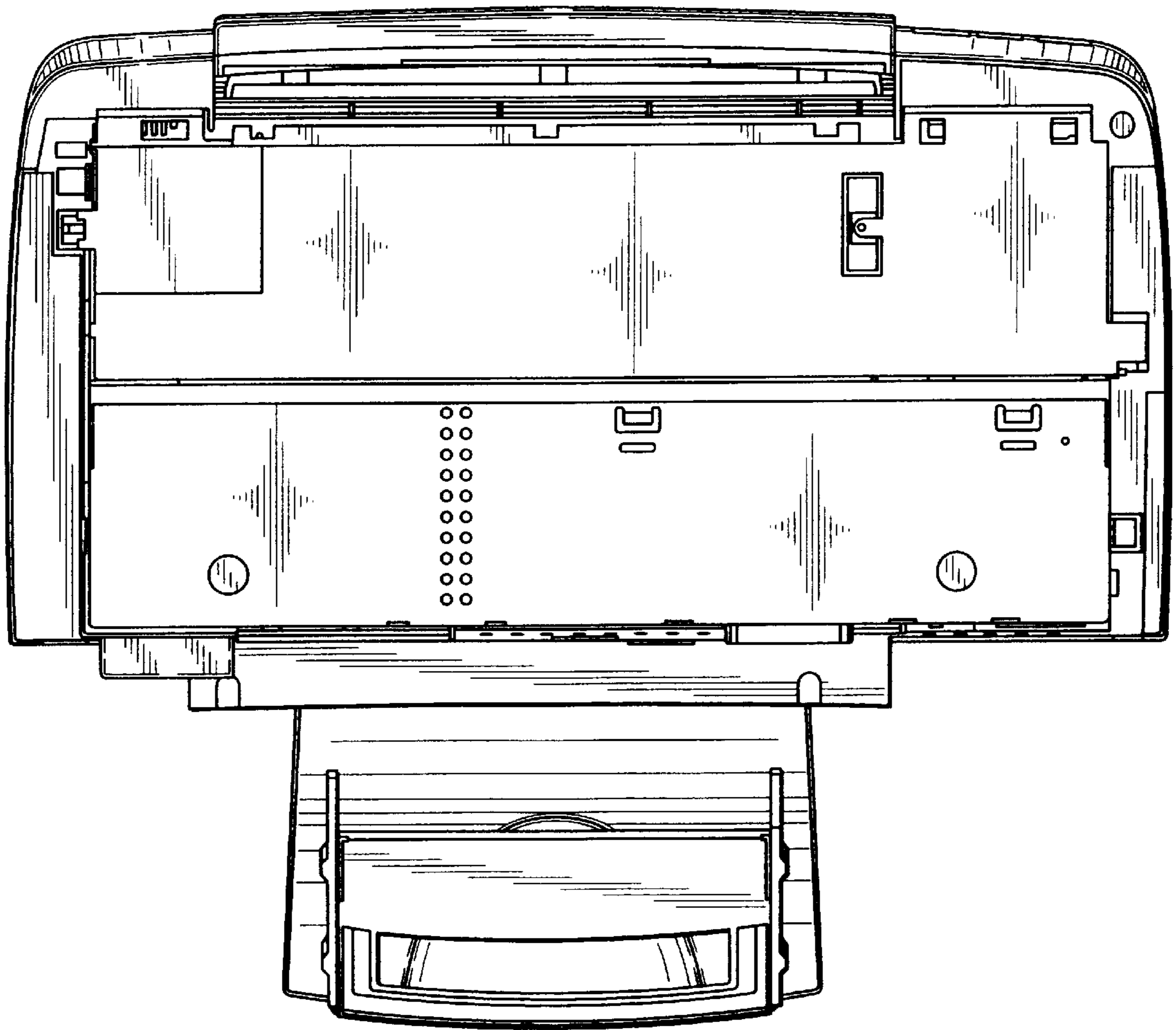


FIG. 7



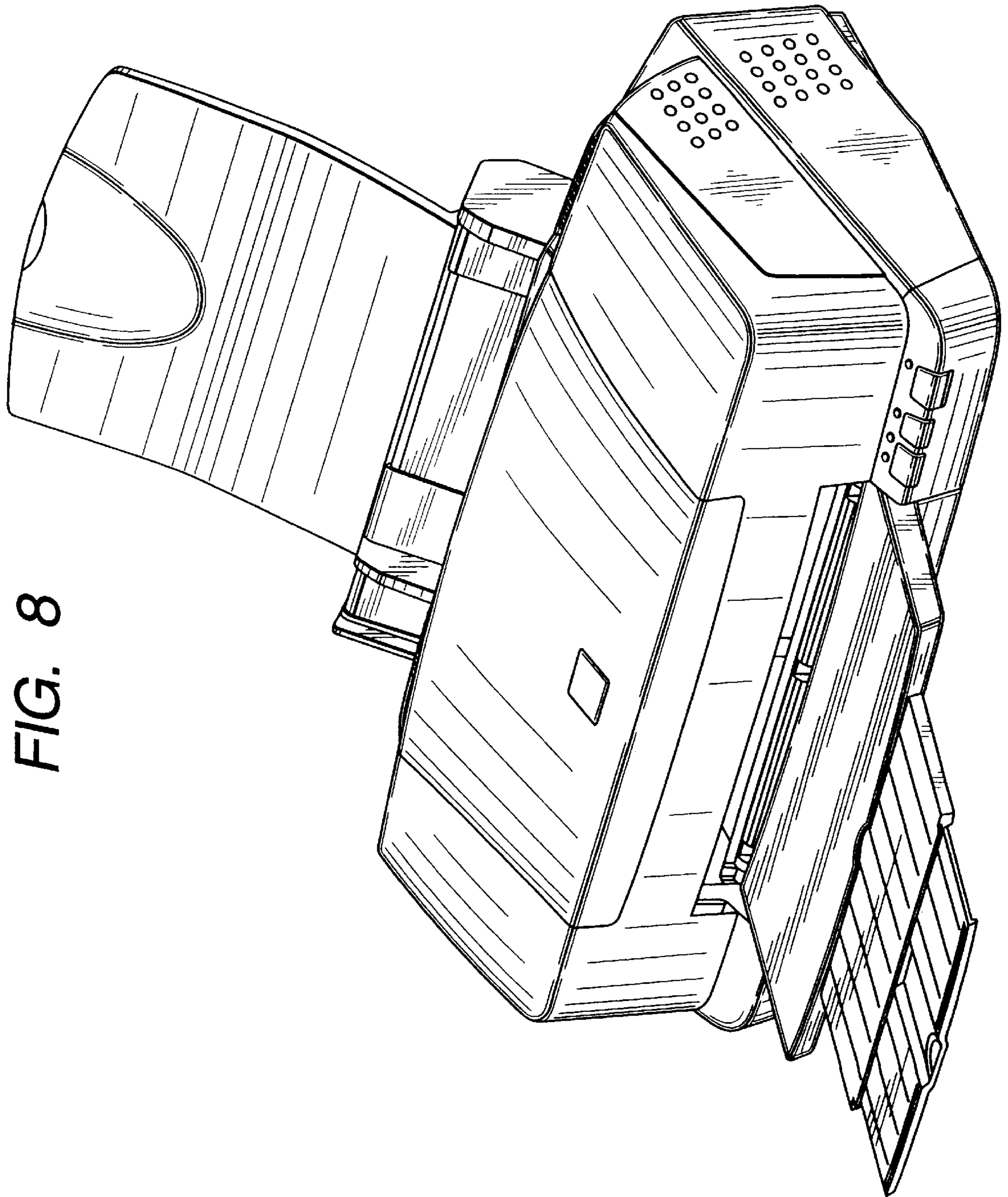


FIG. 8