



US00D442216S

(12) **United States Design Patent**  
**Kimura et al.**

(10) **Patent No.:** **US D442,216 S**

(45) **Date of Patent:** **\*\* May 15, 2001**

(54) **TONER CARTRIDGE**

(75) Inventors: **Shinji Kimura**, Kani; **Makoto Ishii**, Nagoya; **Yasutake Yamaguchi**, Chiryu, all of (JP)

(73) Assignee: **Brother Industries, Ltd.**, Nagoya (JP)

(\*\*) Term: **14 Years**

(21) Appl. No.: **29/132,179**

(22) Filed: **Nov. 6, 2000**

(51) **LOC (7) Cl.** ..... **16-03**

(52) **U.S. Cl.** ..... **D18/43**

(58) **Field of Search** ..... D18/36, 40, 43,  
D18/56; 399/24, 25, 27, 28, 61, 99, 106,  
262

(56) **References Cited**

**U.S. PATENT DOCUMENTS**

D. 401,618 \* 11/1998 Ikehata ..... D18/43

D. 410,947 \* 6/1999 Schwamkrug ..... D18/43

D. 422,304 4/2000 Suzuki et al. .... D18/43

\* cited by examiner

*Primary Examiner*—Caron D. Veynar

(74) *Attorney, Agent, or Firm*—Oliff & Berridge, PLC

(57) **CLAIM**

The ornamental design for toner cartridge, as shown and described.

**DESCRIPTION**

FIG. 1 is a top view of a toner cartridge;

FIG. 2 is a front view thereof;

FIG. 3 is a left side view thereof;

FIG. 4 is a right side view thereof;

FIG. 5 is a bottom view thereof;

FIG. 6 is a rear view thereof; and,

FIG. 7 is a perspective view thereof.

The broken line showing forms no part of the claimed design.

**1 Claim, 3 Drawing Sheets**

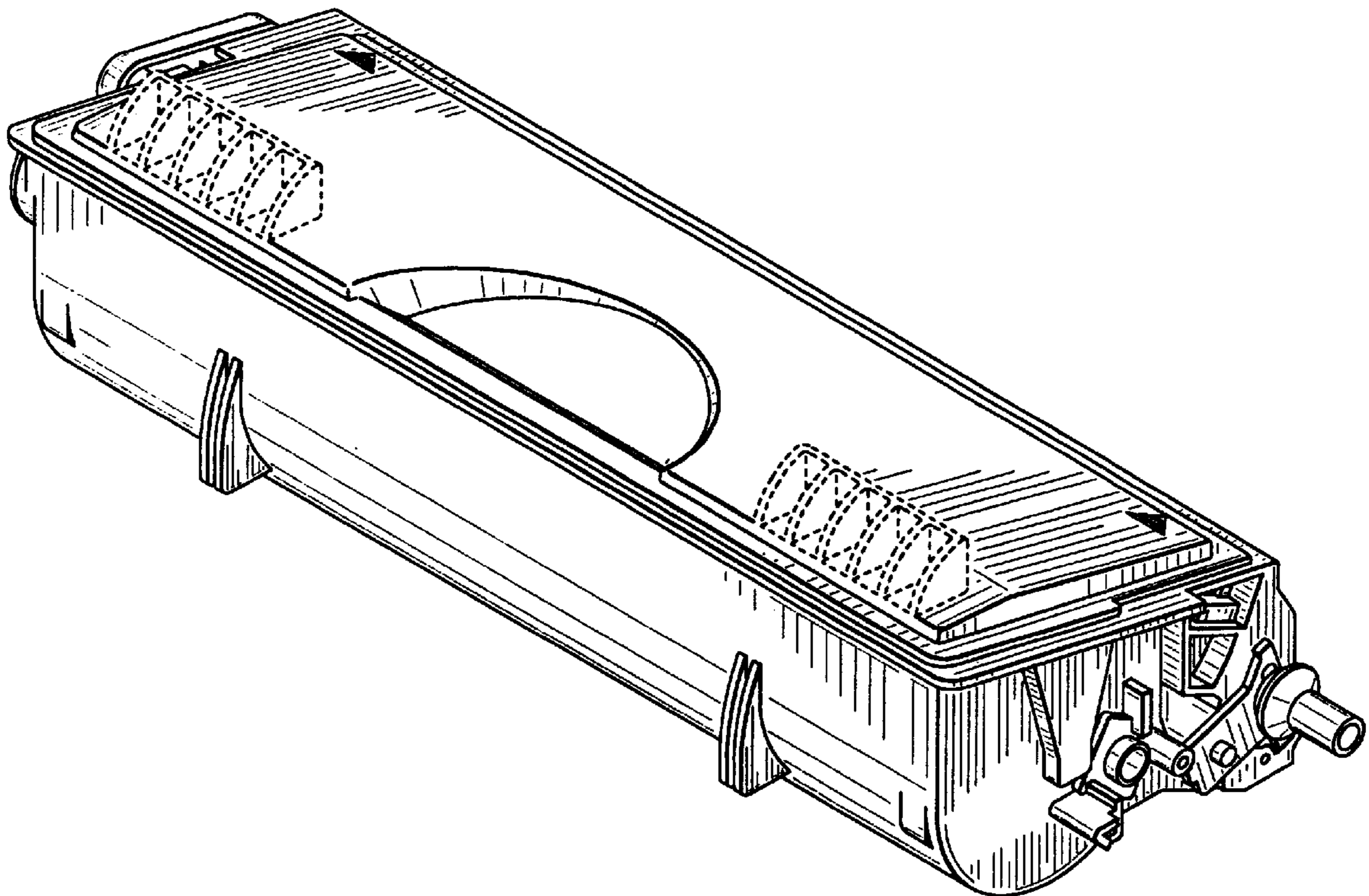


FIG. 1

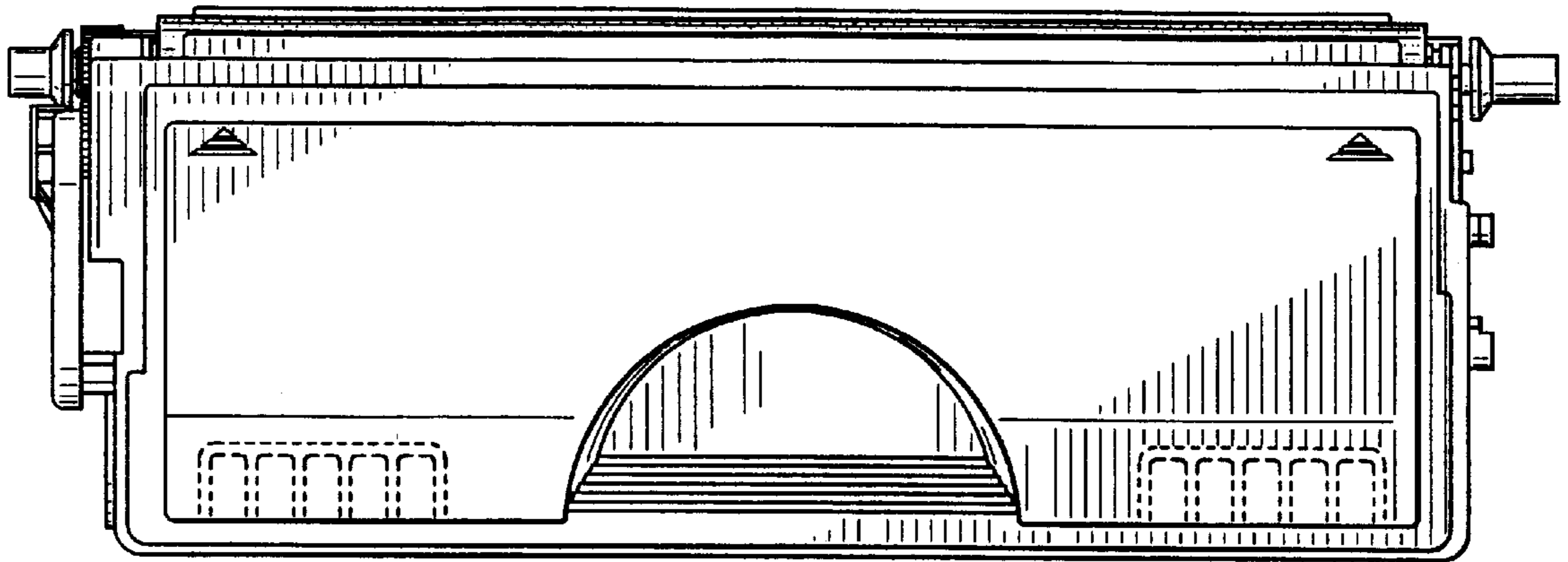


FIG. 2

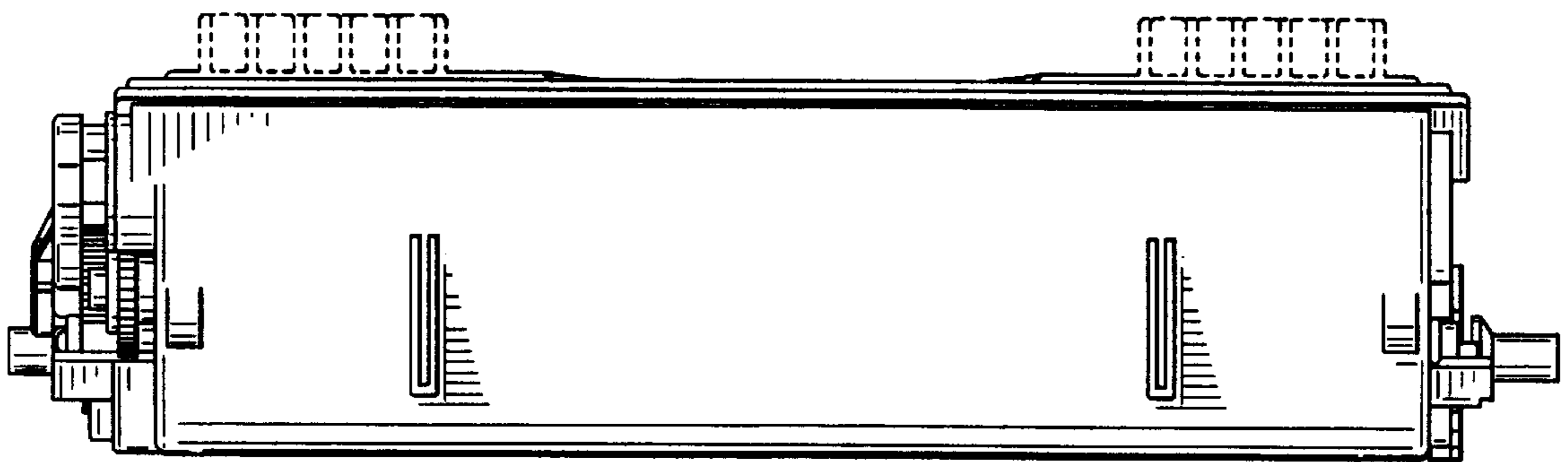


FIG. 3

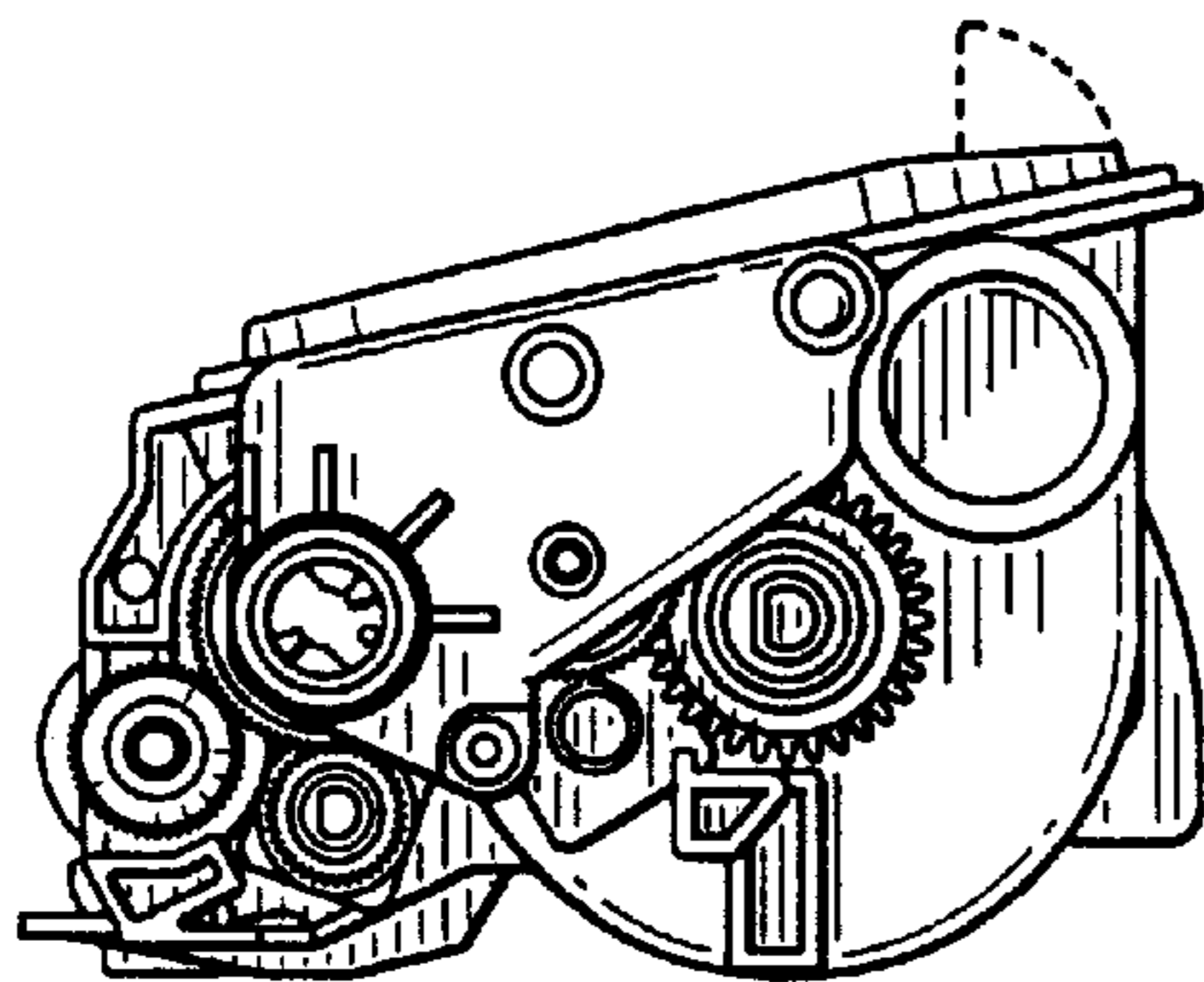


FIG. 4

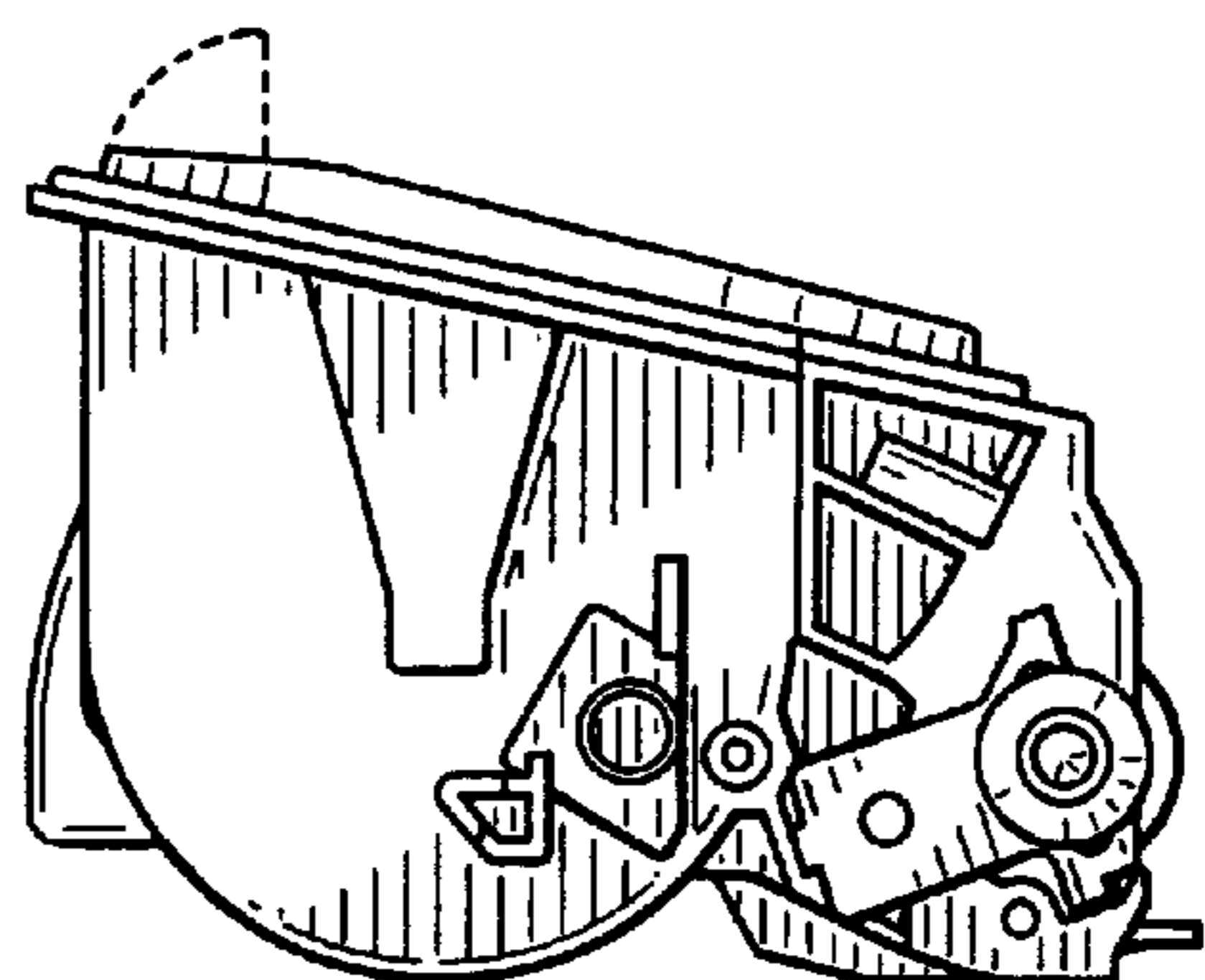


FIG. 5

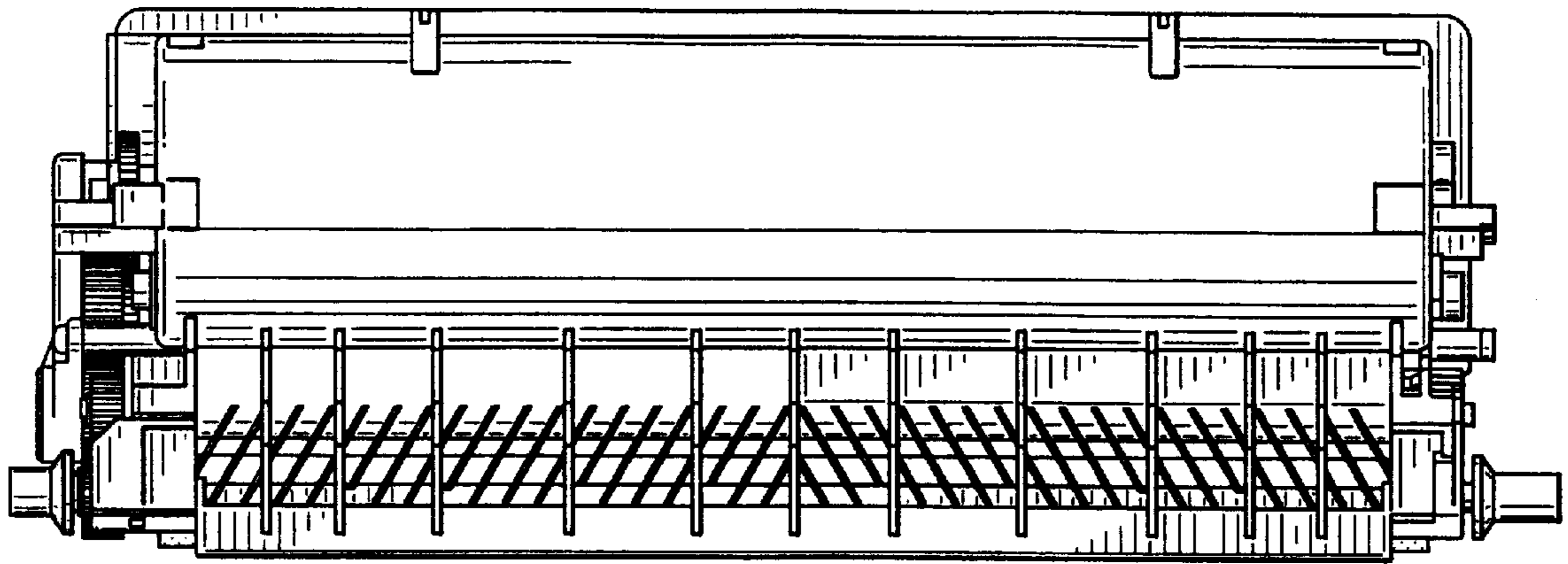


FIG. 6

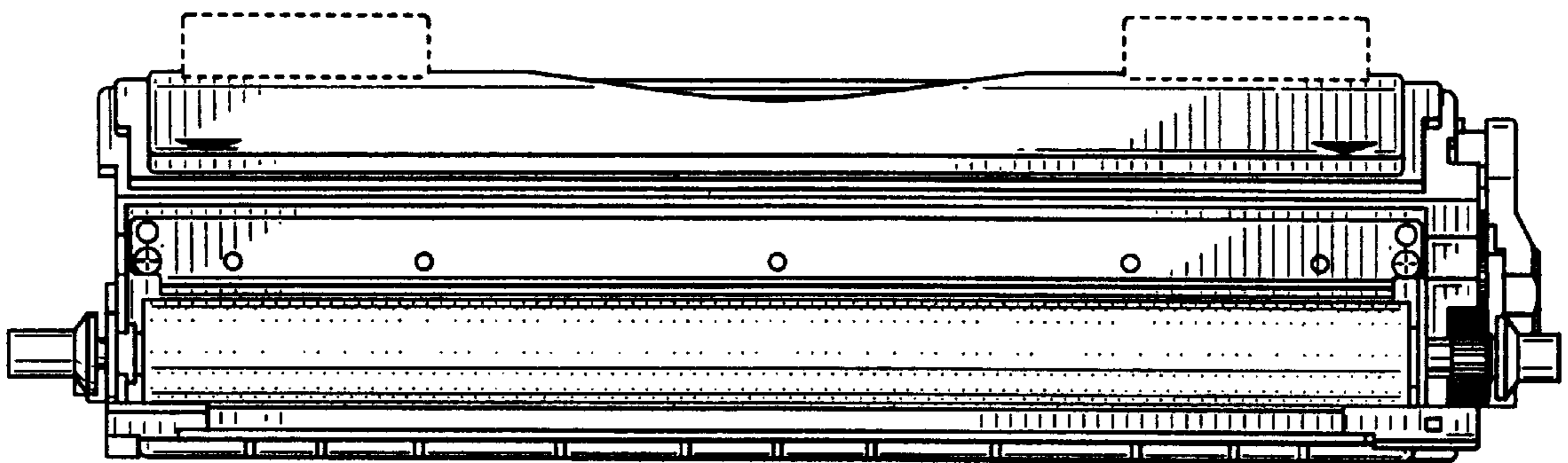


FIG. 7

