



US00D442215S

(12) **United States Design Patent**  
**Fujita**

(10) **Patent No.:** **US D442,215 S**

(45) **Date of Patent:** **\*\* May 15, 2001**

(54) **TONER CARTRIDGE**

5,963,759 \* 10/1999 Kojima et al. .... 399/111

(75) Inventor: **Eiji Fujita**, Kanagawa (JP)

**FOREIGN PATENT DOCUMENTS**

(73) Assignee: **Matsushita Graphic Communication Systems, Inc.**, Tokyo (JP)

712239 9/1987 (JP) .  
735639 6/1988 (JP) .

(\*\*) Term: **14 Years**

\* cited by examiner

(21) Appl. No.: **29/128,201**

*Primary Examiner*—Caron D. Veynar  
(74) *Attorney, Agent, or Firm*—Christensen O'Connor Johnson Kindness PLLC

(22) Filed: **Aug. 18, 2000**

(30) **Foreign Application Priority Data**

Feb. 25, 2000 (JP) ..... 12-003735

(51) **LOC (7) Cl.** ..... **16-03**

(52) **U.S. Cl.** ..... **D18/43**

(58) **Field of Search** ..... D18/36, 40, 43,  
D18/56; 399/24, 25, 27, 28, 61, 99, 106,  
262

(57) **CLAIM**

The ornamental design for a toner cartridge, as shown and described.

(56) **References Cited**

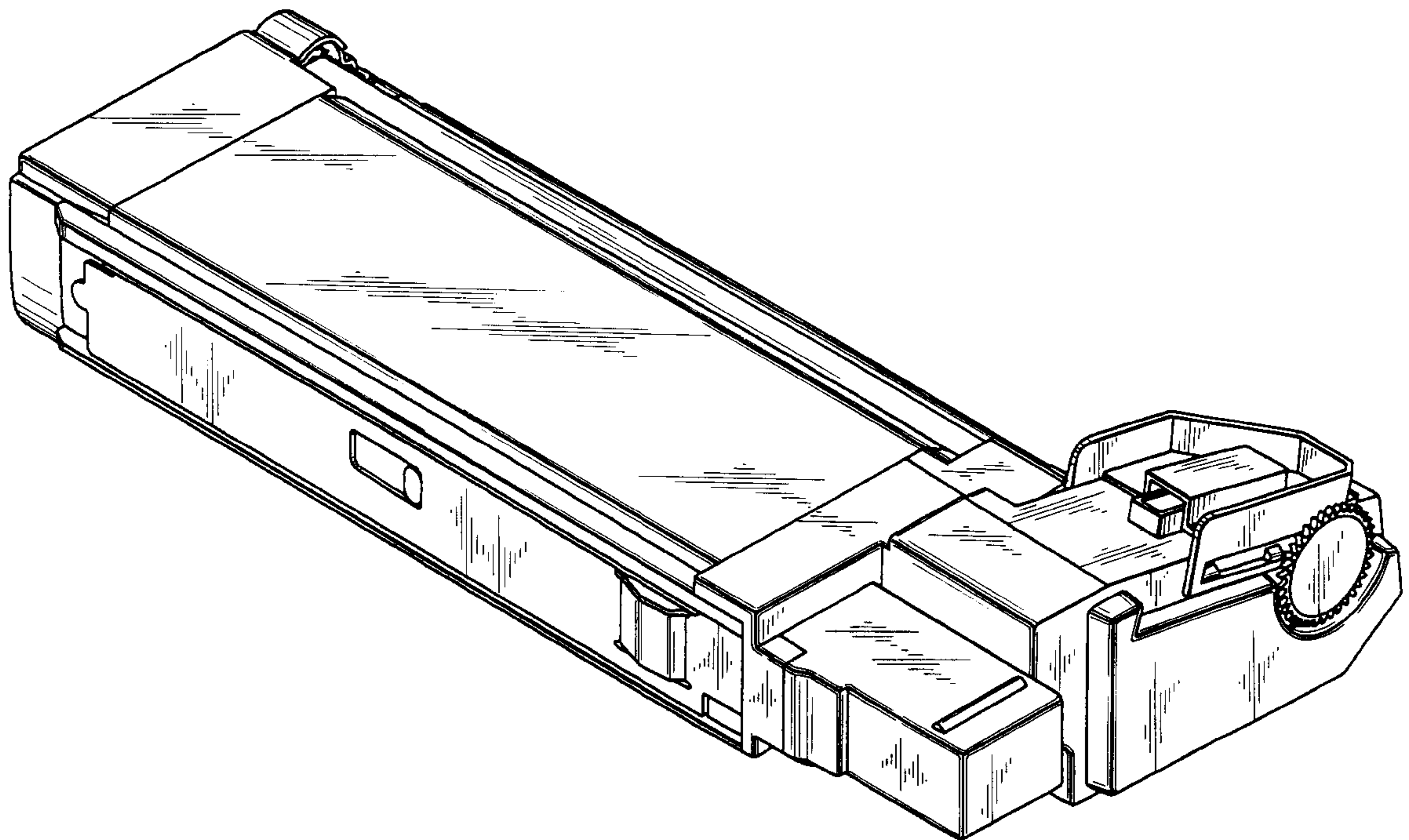
**U.S. PATENT DOCUMENTS**

- D. 298,336 \* 11/1988 Masaki ..... D18/43
- D. 359,068 \* 6/1995 Nishimura et al. .... D18/43
- D. 362,677 \* 9/1995 Ishibashi et al. .... D18/43
- D. 368,112 \* 3/1996 Komaki ..... D18/43
- D. 375,519 \* 11/1996 Tsumuki ..... D18/43
- D. 378,829 \* 4/1997 Aoyama et al. .... D18/40

**DESCRIPTION**

FIG. 1 is a perspective view of the top, front and right side of a toner cartridge showing my new design;  
FIG. 2 is a front view thereof;  
FIG. 3 is a right side view thereof;  
FIG. 4 is a top plan view thereof;  
FIG. 5 is a left side view thereof;  
FIG. 6 is a rear view thereof;  
FIG. 7 is a bottom view thereof; and,  
FIG. 8 is a perspective view with the equipping lever being drawn out.

**1 Claim, 6 Drawing Sheets**



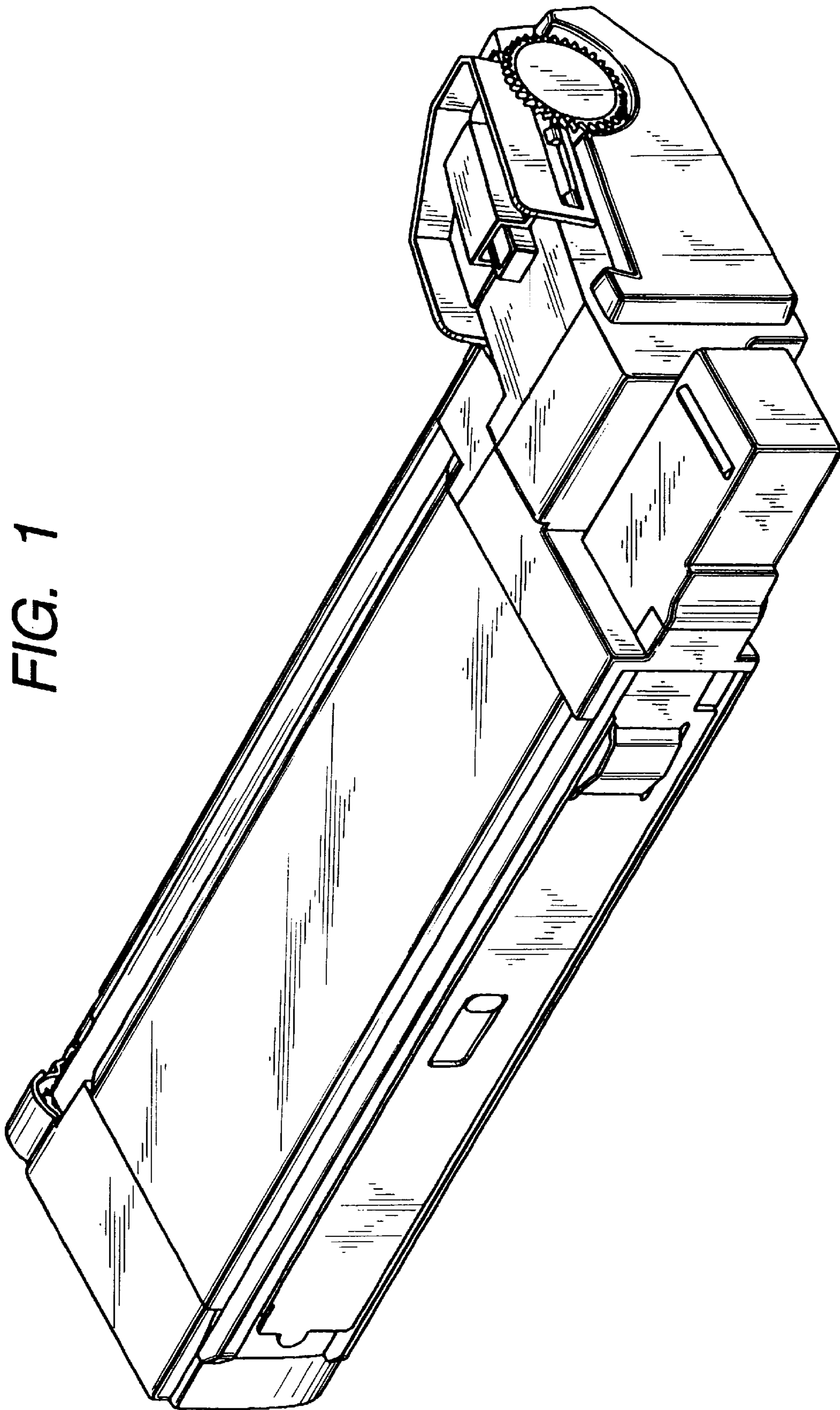


FIG. 1

FIG. 2

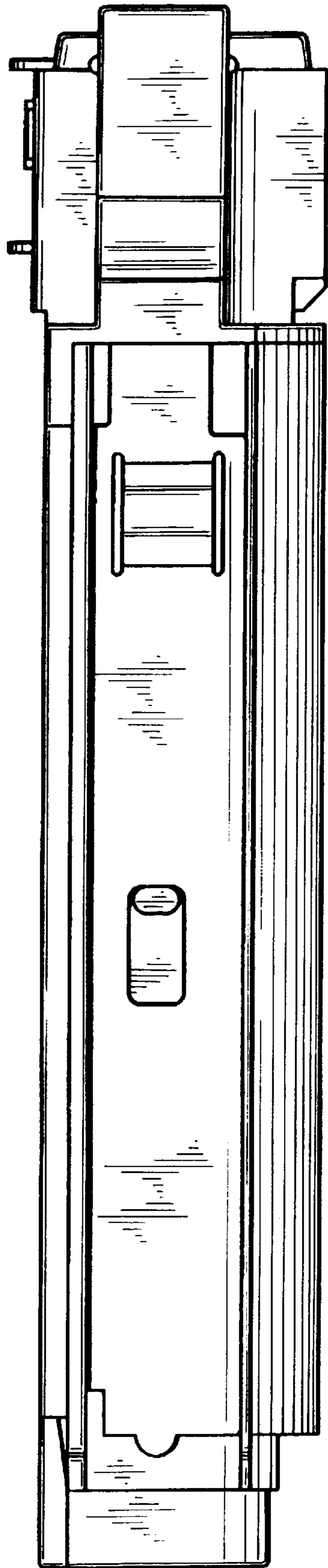


FIG. 3

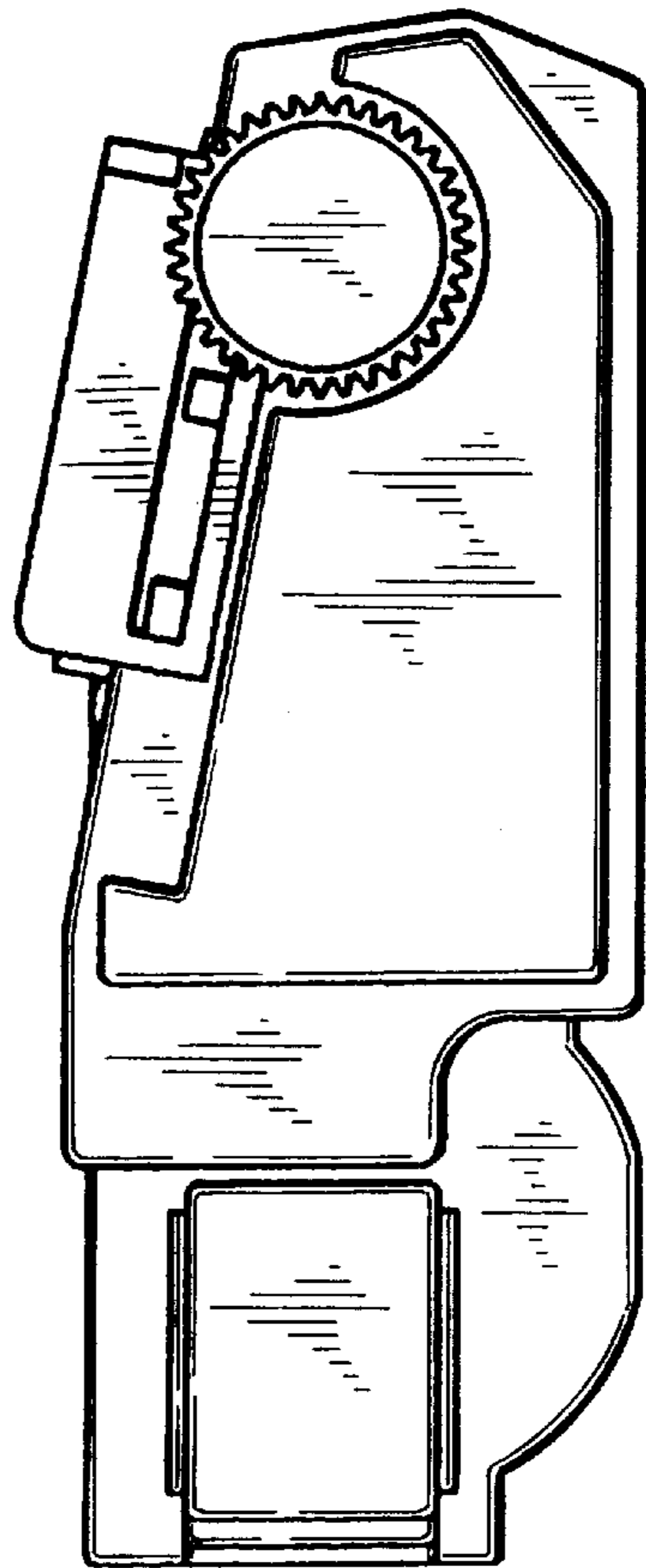
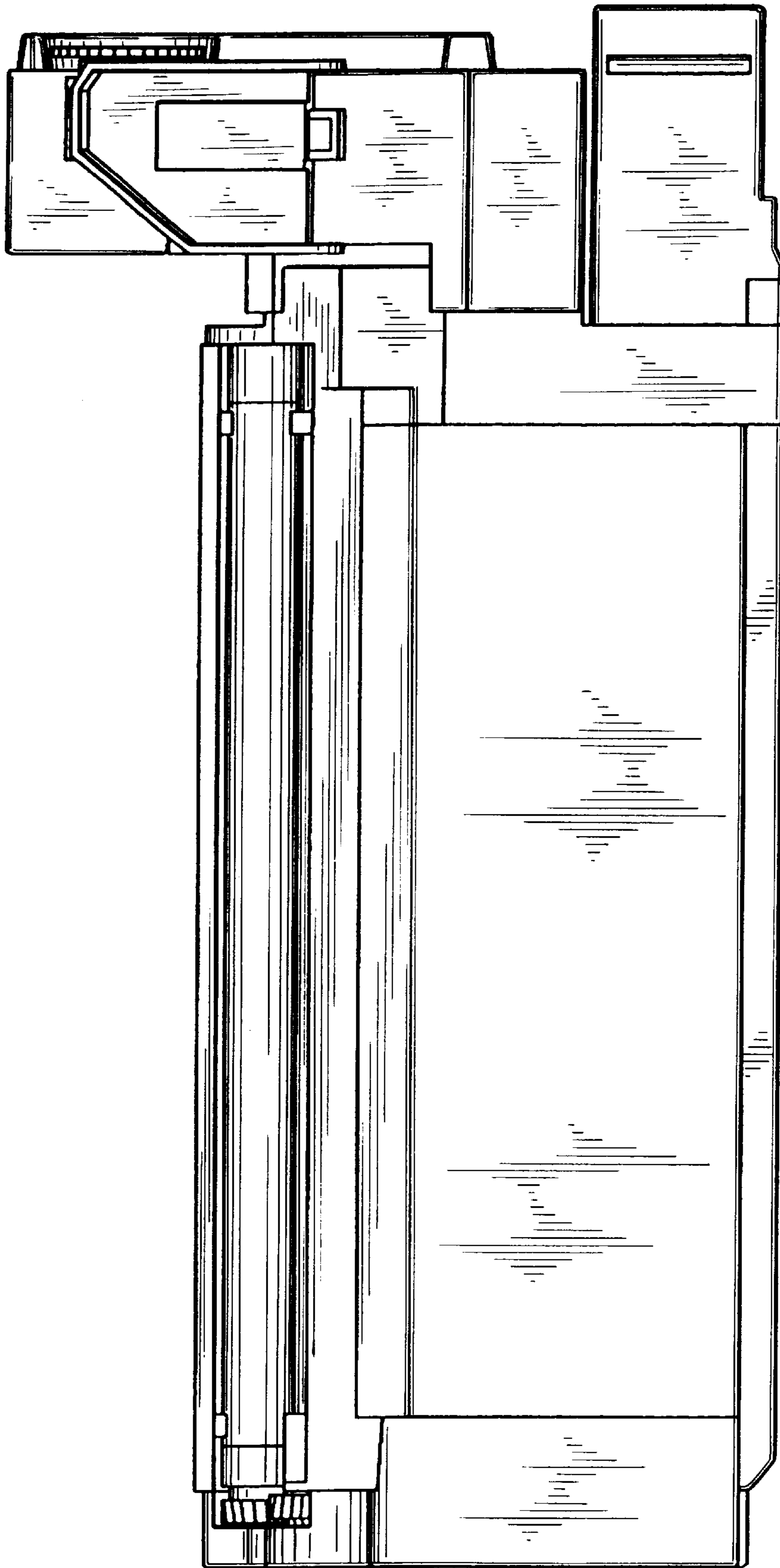
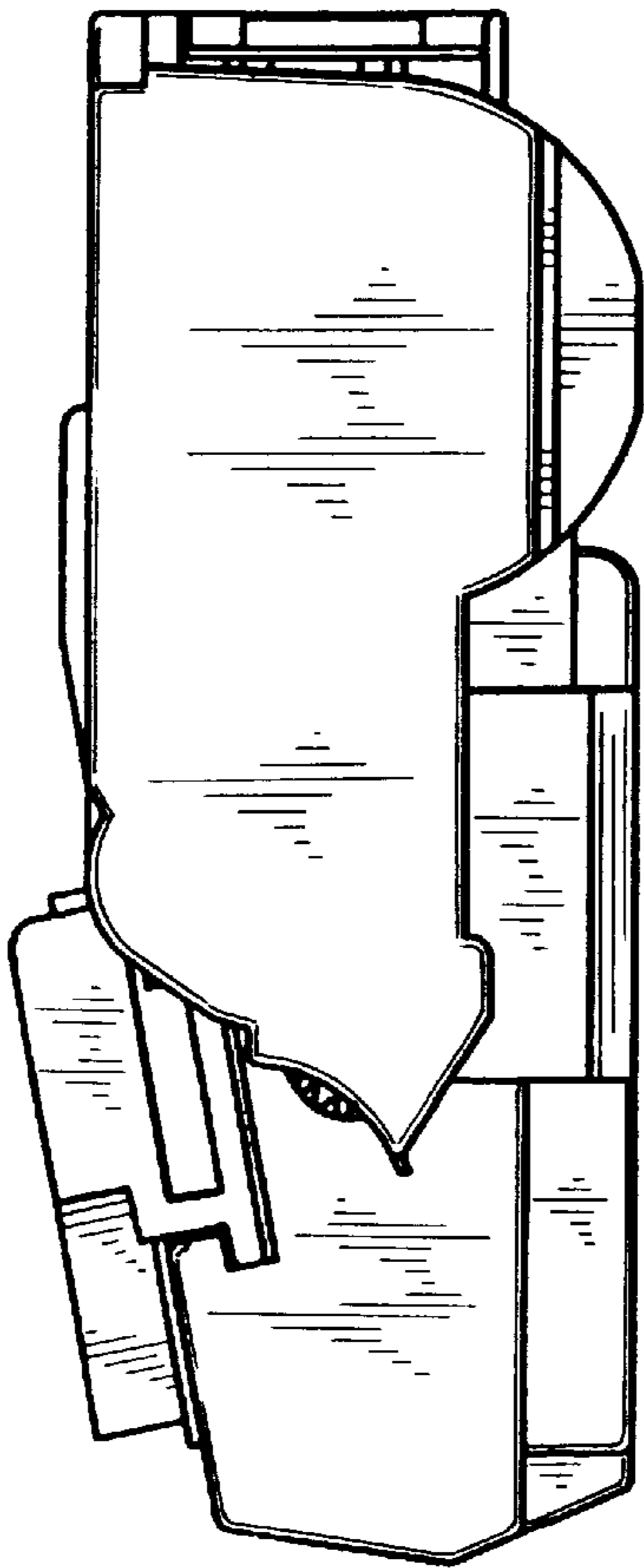


FIG. 4





*FIG. 5*



*FIG. 6*

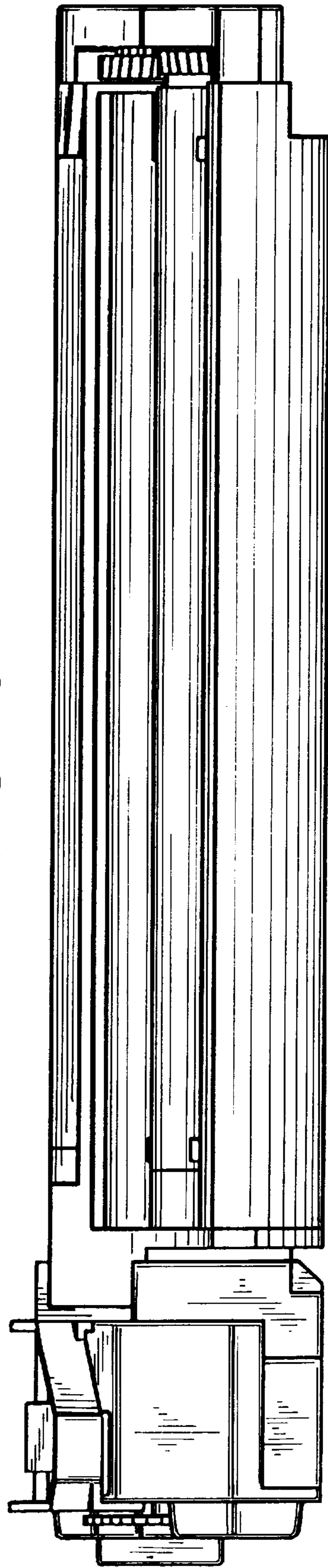
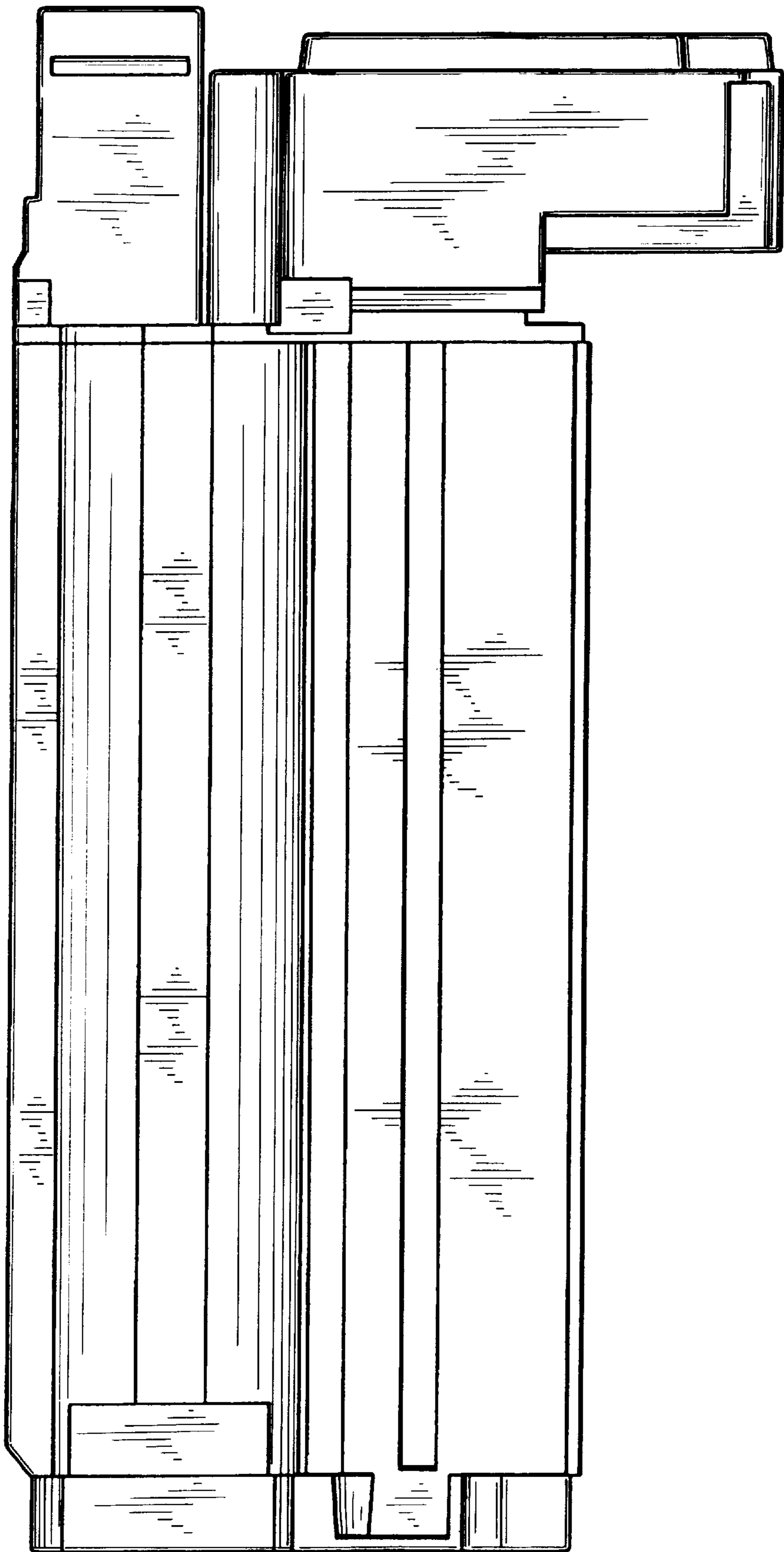


FIG. 7



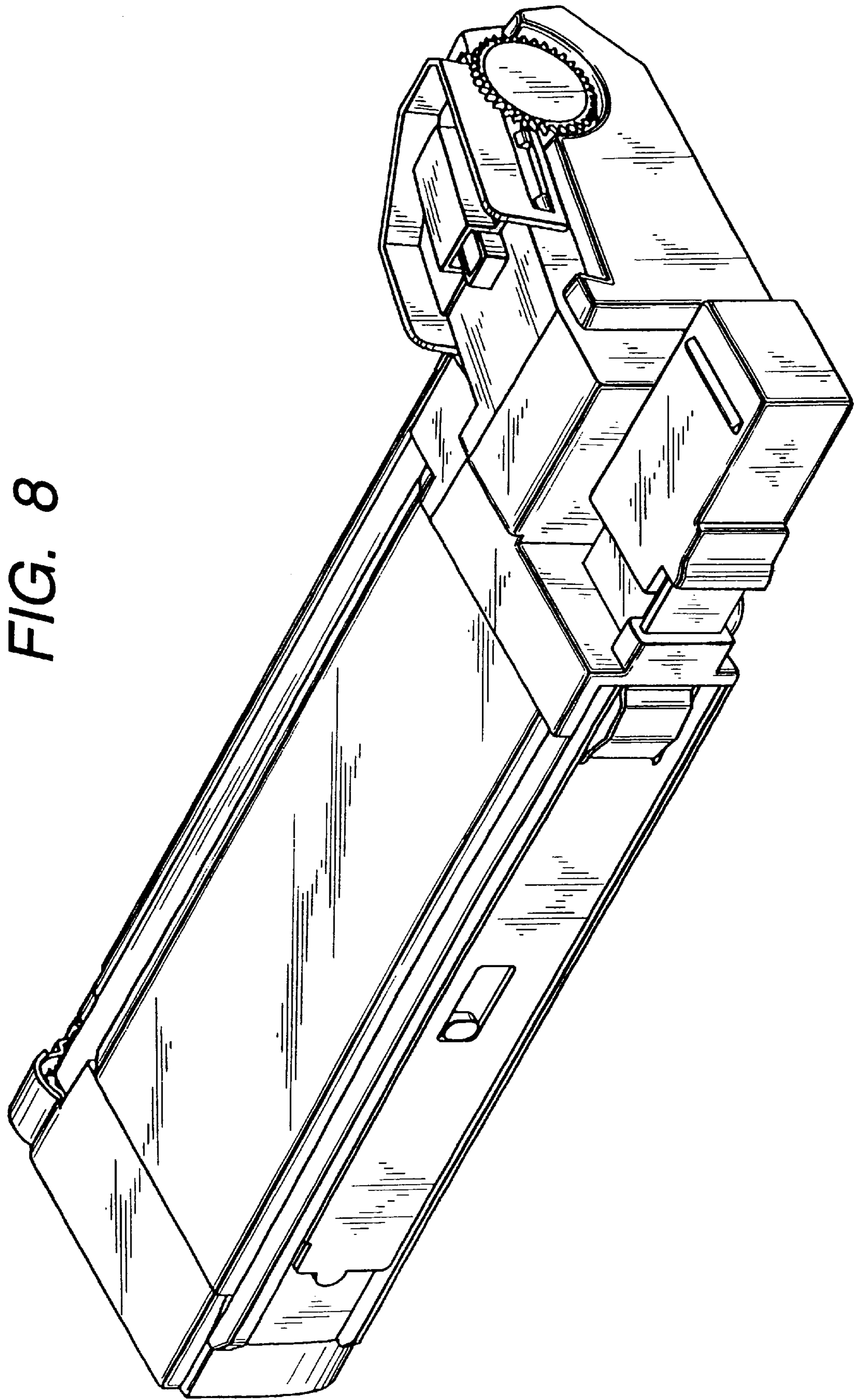


FIG. 8