



US00D442214S

(12) **United States Design Patent**
Hayashi

(10) **Patent No.:** **US D442,214 S**

(45) **Date of Patent:** **** May 15, 2001**

(54) **TONER CONTAINER**

(75) Inventor: **Yukihisa Hayashi, Mie (JP)**

(73) Assignee: **Kyocera Corporation, Kyoto (JP)**

(**) Term: **14 Years**

(21) Appl. No.: **29/120,689**

(22) Filed: **Mar. 22, 2000**

(30) **Foreign Application Priority Data**

Sep. 24, 1999 (JP) 11-25823

(51) **LOC (7) Cl.** **16-03**

(52) **U.S. Cl.** **D18/43**

(58) **Field of Search** D18/36, 40, 43,
D18/56; 399/24, 25, 27, 28, 61, 99, 106,
262

(56) **References Cited**

U.S. PATENT DOCUMENTS

D. 398,023 * 9/1998 Okada D18/43

D. 401,618 * 11/1998 Ikehata D18/43

D. 410,947 * 6/1999 Schwamkrug D18/43

D. 422,304 * 4/2000 Suzuki et al. D18/43

D. 428,050 * 7/2000 Nishiyama et al. D18/43

* cited by examiner

Primary Examiner—Caron D. Veynar

(74) *Attorney, Agent, or Firm*—Hogan & Hartson, LLP

(57) **CLAIM**

The ornamental design for a toner container, as shown and described.

DESCRIPTION

FIG. 1 is a perspective view of the top, front and right side of a toner container showing my new design;

FIG. 2 is a front elevational view thereof;

FIG. 3 is a top plan view thereof;

FIG. 4 is a left side view thereof;

FIG. 5 is a right side view thereof;

FIG. 6 is a rear elevational view thereof; and,

FIG. 7 is a bottom view thereof.

1 Claim, 6 Drawing Sheets

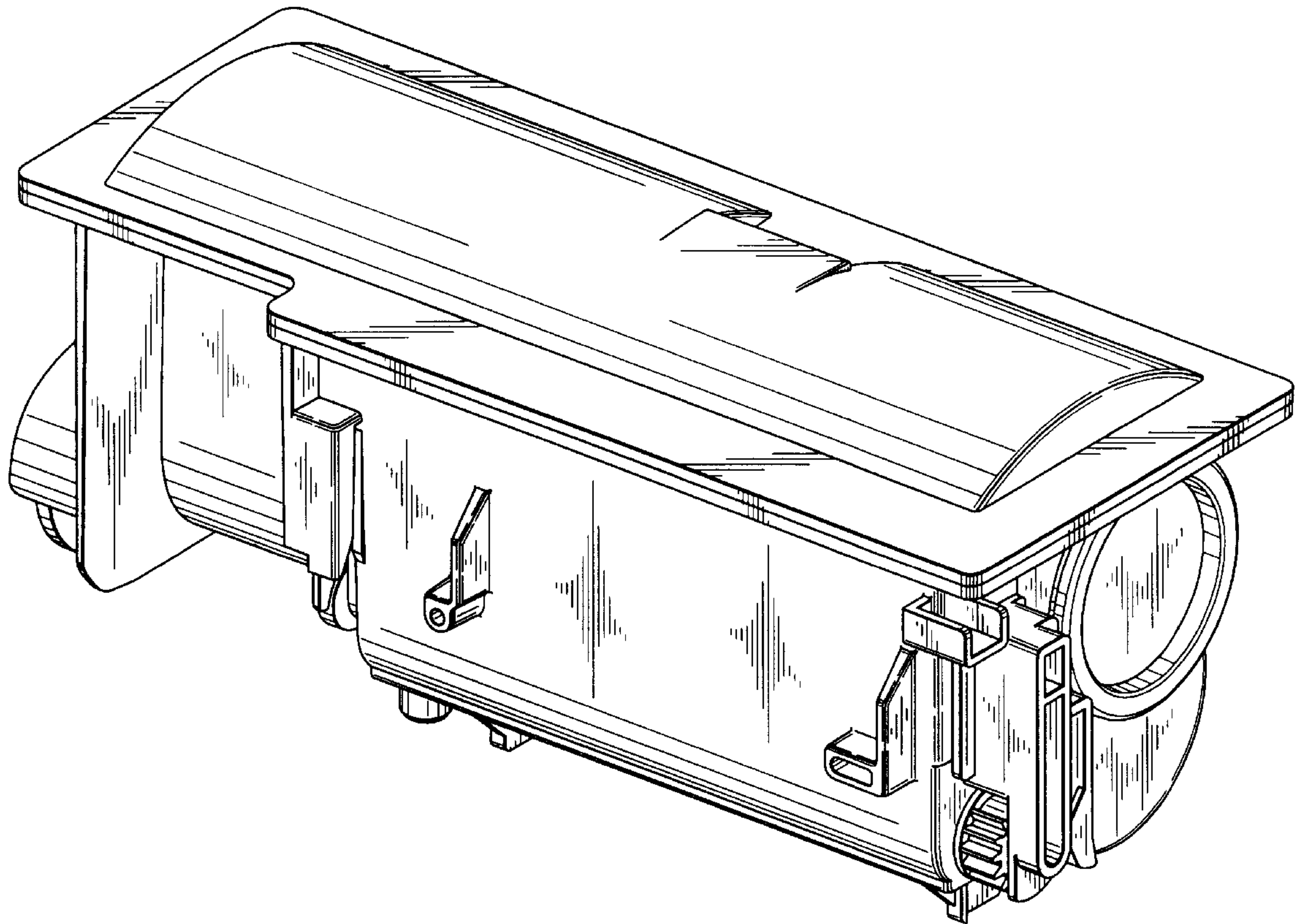


FIG. 1

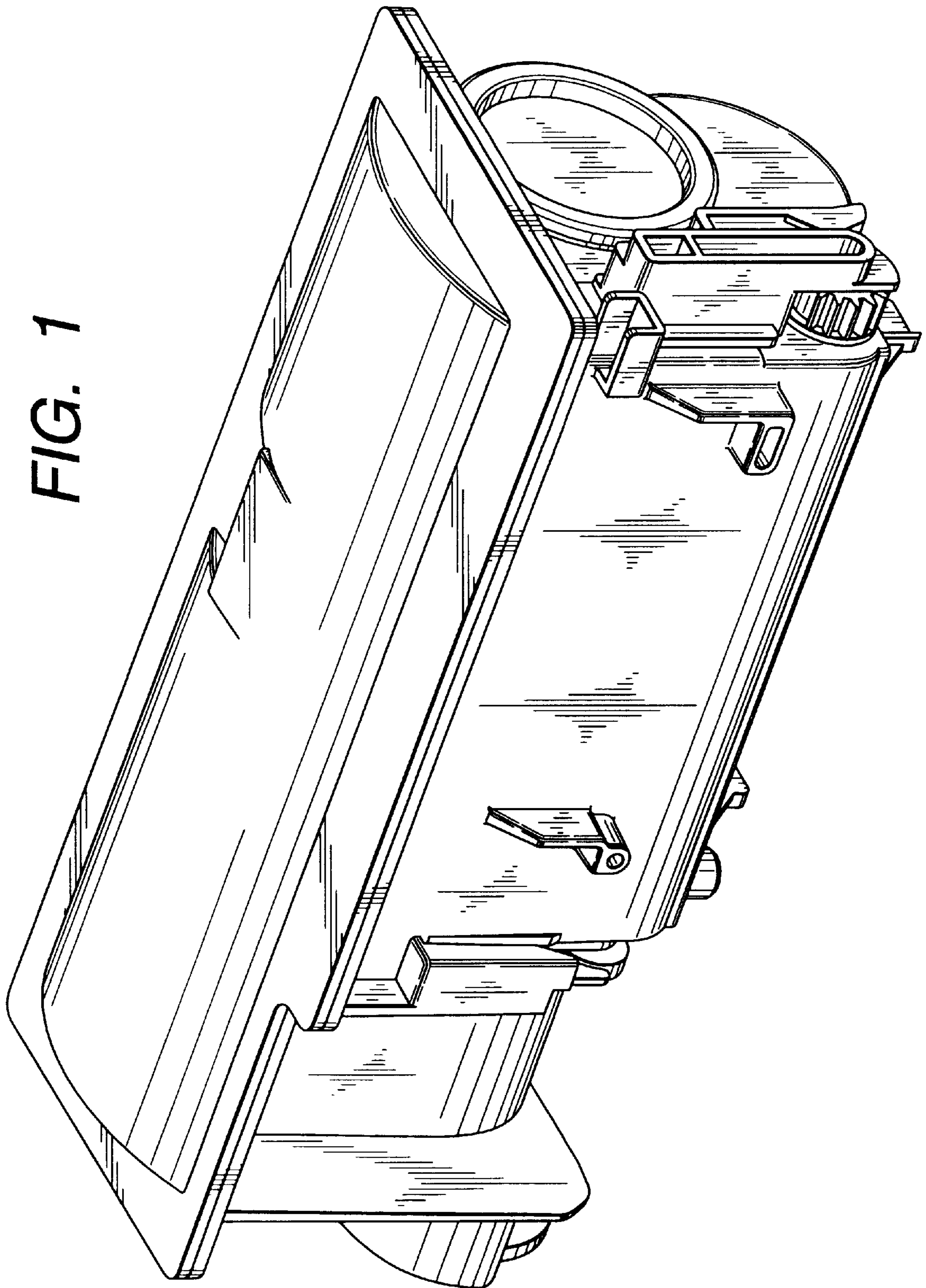


FIG. 2

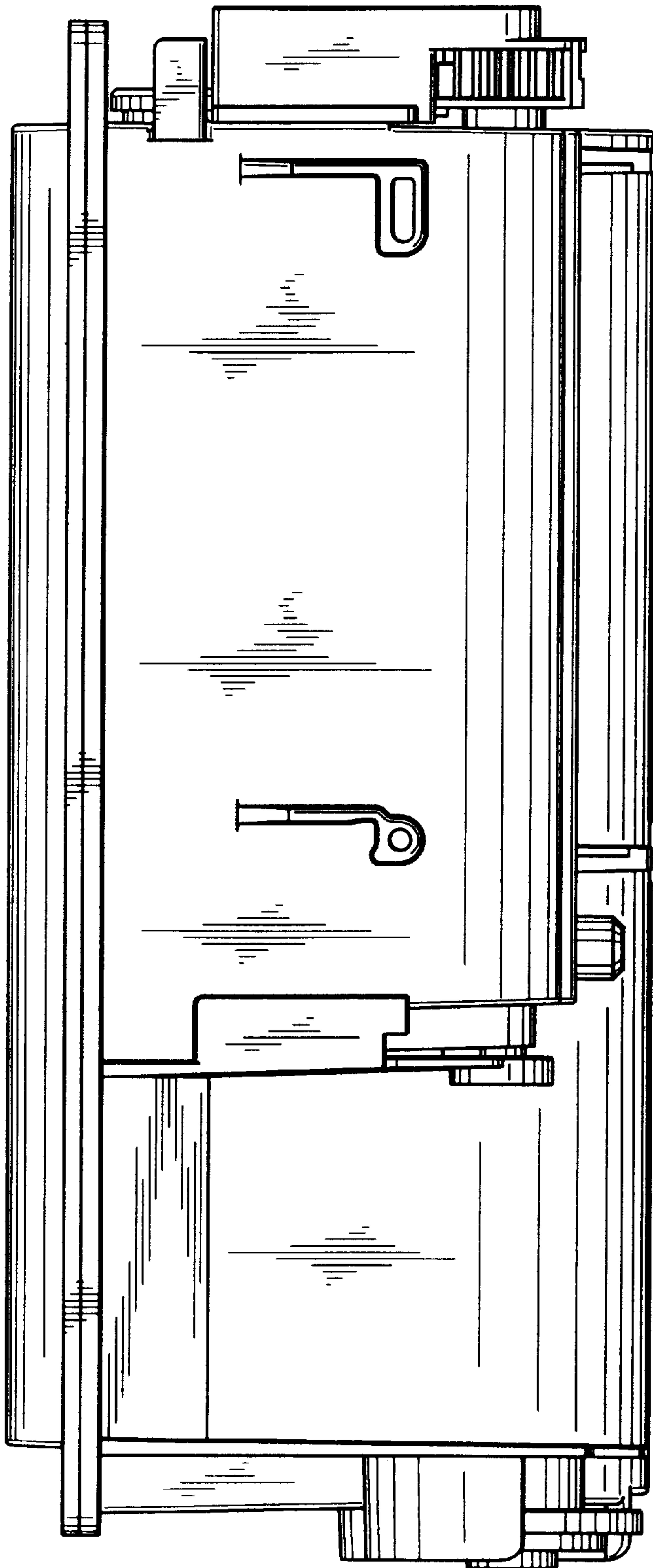


FIG. 3

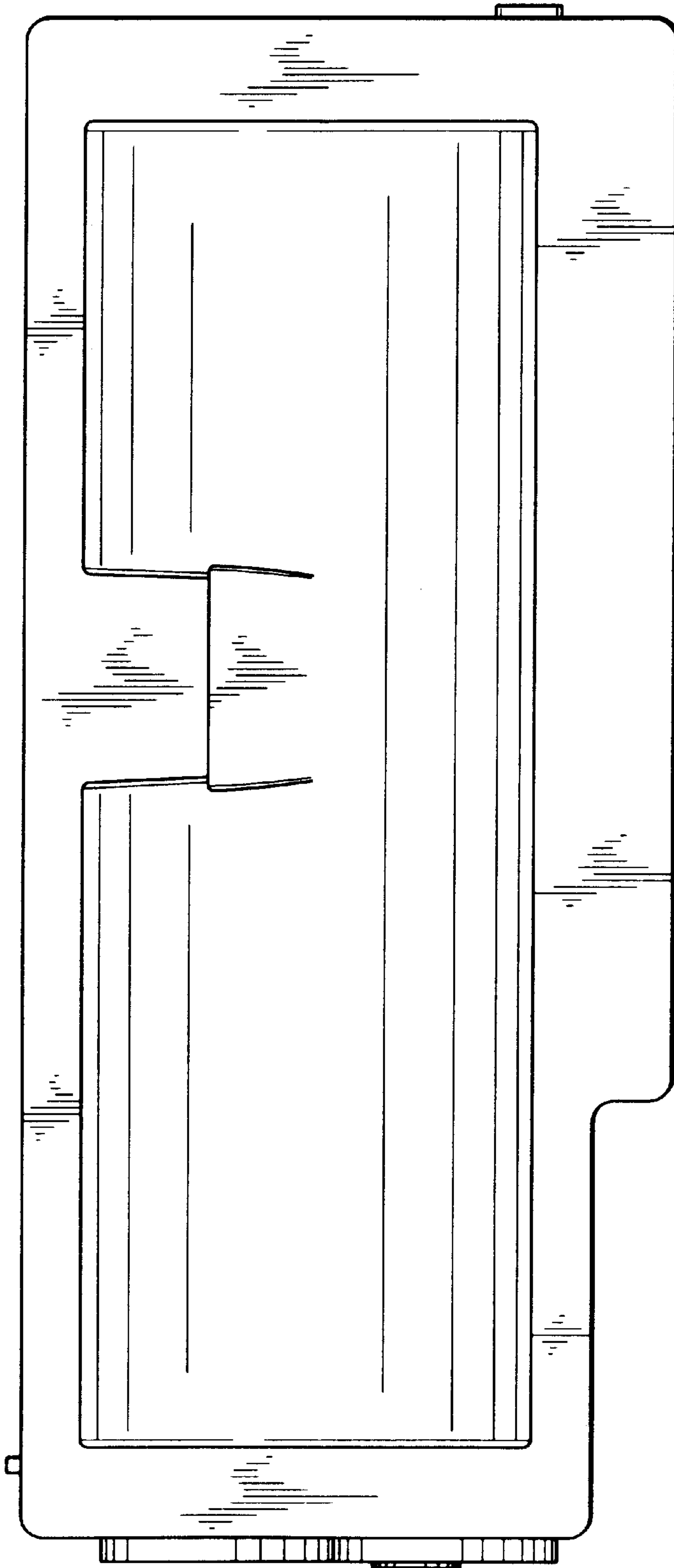


FIG. 5

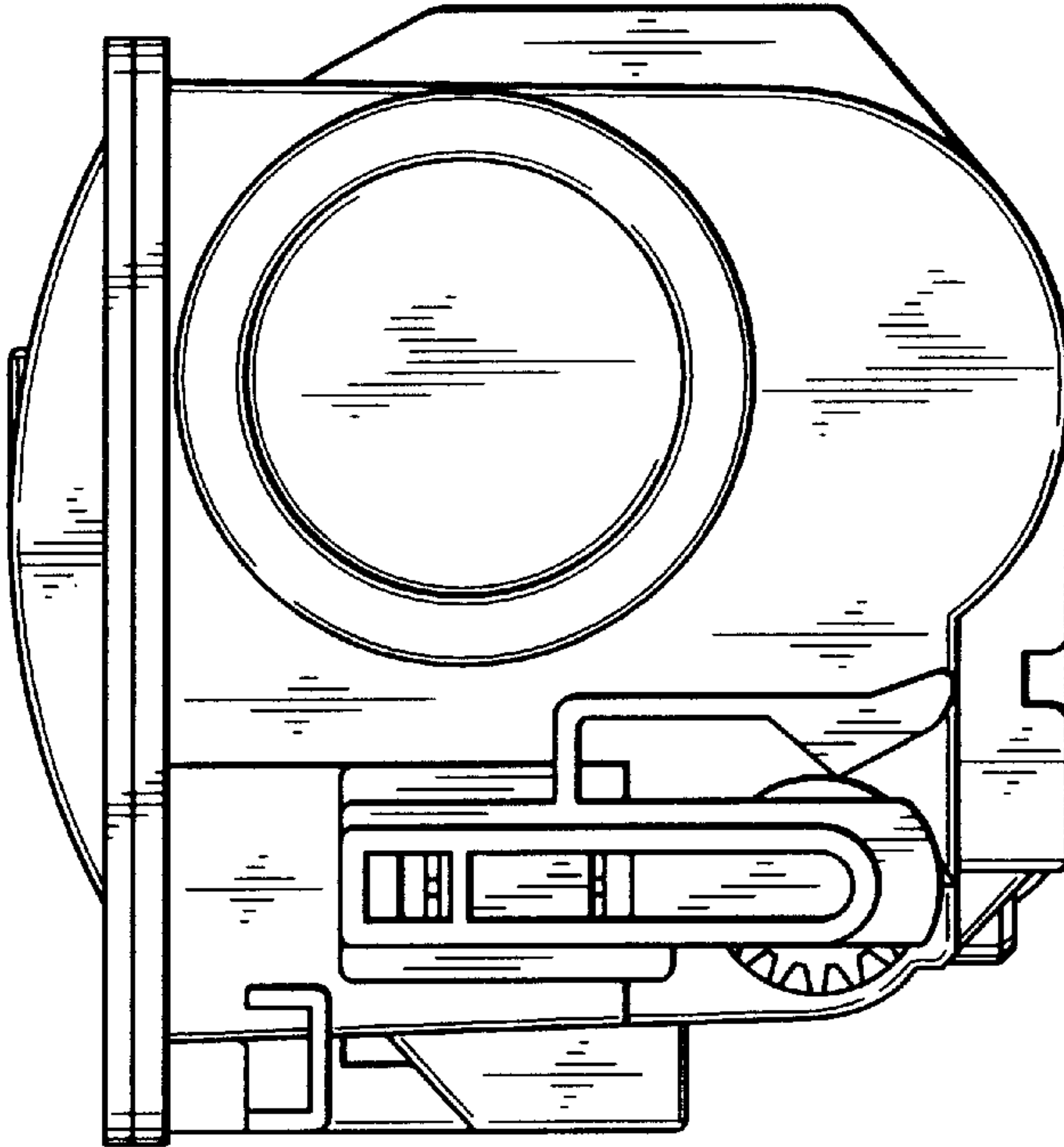


FIG. 4

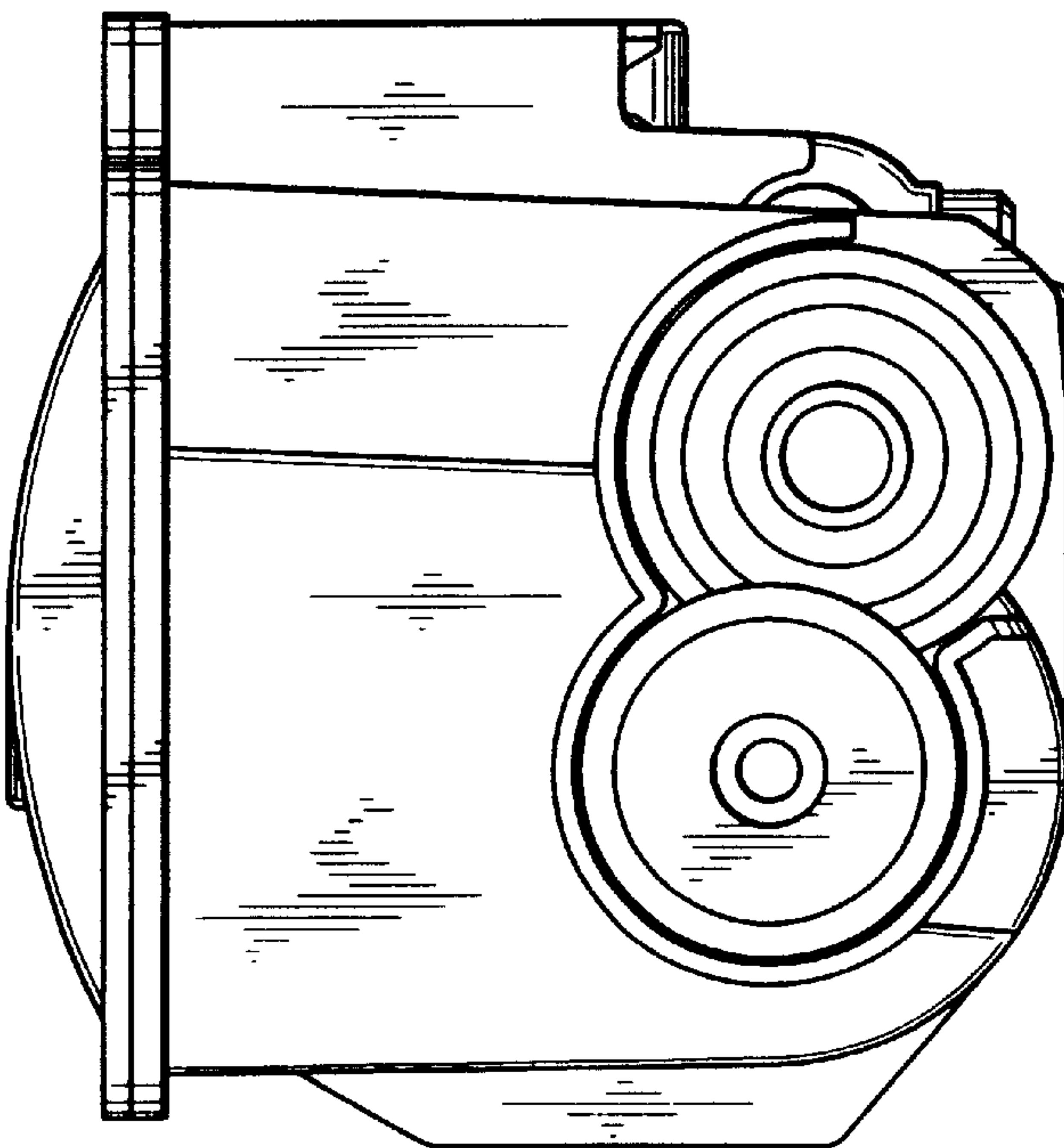


FIG. 6

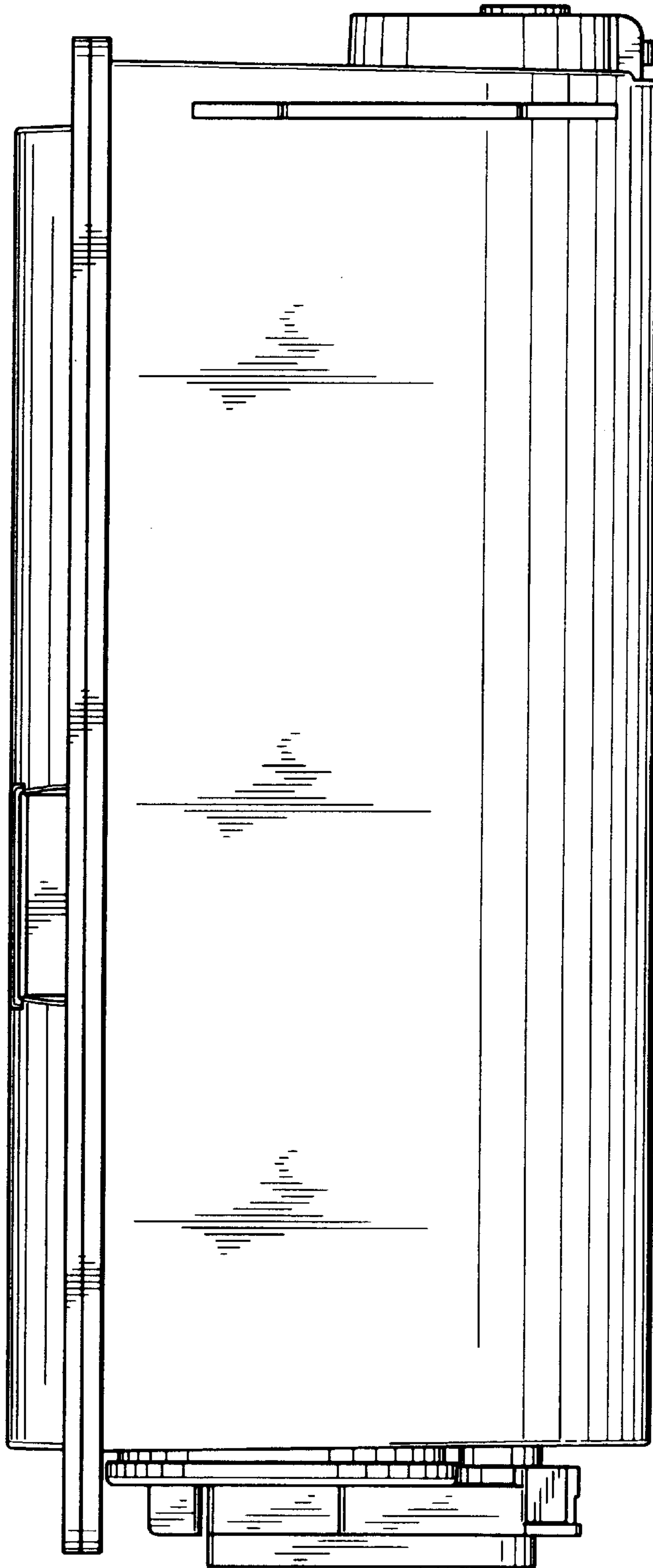


FIG. 7

