



US00D442211S

(12) **United States Design Patent**
Hayashi et al.

(10) **Patent No.:** **US D442,211 S**

(45) **Date of Patent:** **** May 15, 2001**

(54) **INK RIBBON CARTRIDGE FOR PRINTING DEVICE**

D. 425,545 * 5/2000 Ishida D18/12

* cited by examiner

(75) Inventors: **Shigeyuki Hayashi**, Gifu-ken; **Akihiro Ikeda**, Nagoya, both of (JP)

Primary Examiner—Caron D. Veynar

(74) *Attorney, Agent, or Firm*—Oliff & Berridge, PLC

(73) Assignee: **Brother Industries, Ltd.**, Nagoya (JP)

(57) **CLAIM**

(**) Term: **14 Years**

The ornamental design for an ink ribbon cartridge for printing device, as shown and described.

(21) Appl. No.: **29/128,496**

DESCRIPTION

(22) Filed: **Aug. 28, 2000**

(30) **Foreign Application Priority Data**

Mar. 31, 2000 (JP) 12-8270

(51) **LOC (7) Cl.** **18-01**

(52) **U.S. Cl.** **D18/12**

(58) **Field of Search** D18/12, 40, 56;
D14/471, 481, 483, 484; 400/208, 234

FIG. 1 is a front view of the ink ribbon cartridge for printing device;

FIG. 2 is a rear view thereof;

FIG. 3 is a left side view thereof;

FIG. 4 is a right side view thereof;

FIG. 5 is a top plan view thereof;

FIG. 6 is a bottom plan view thereof;

FIG. 7 is a top perspective view thereof from one side;

FIG. 8 is a top perspective view thereof from another side;

FIG. 9 is a bottom perspective view thereof from one side; and,

FIG. 10 is a bottom perspective view thereof from another side.

(56) **References Cited**

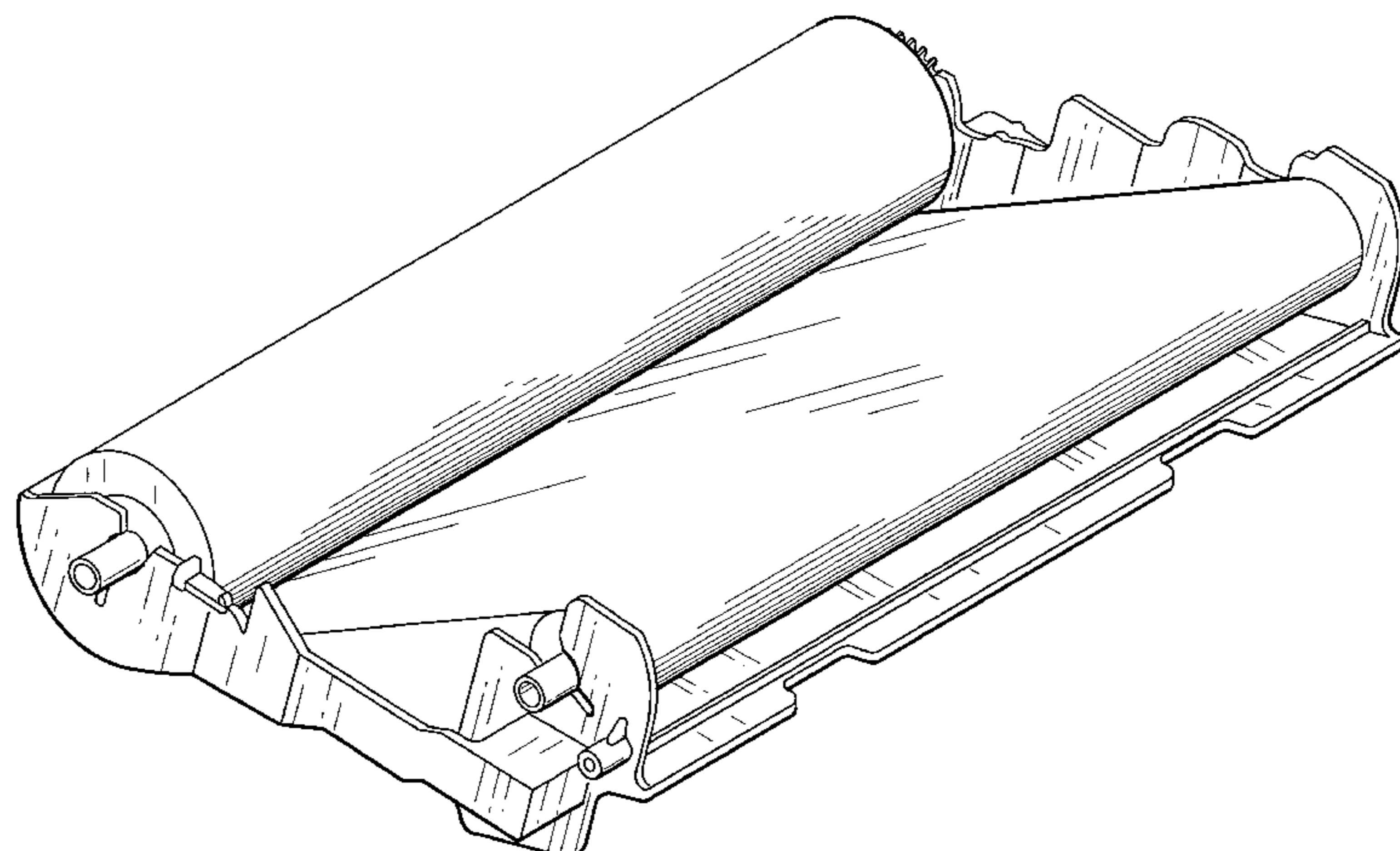
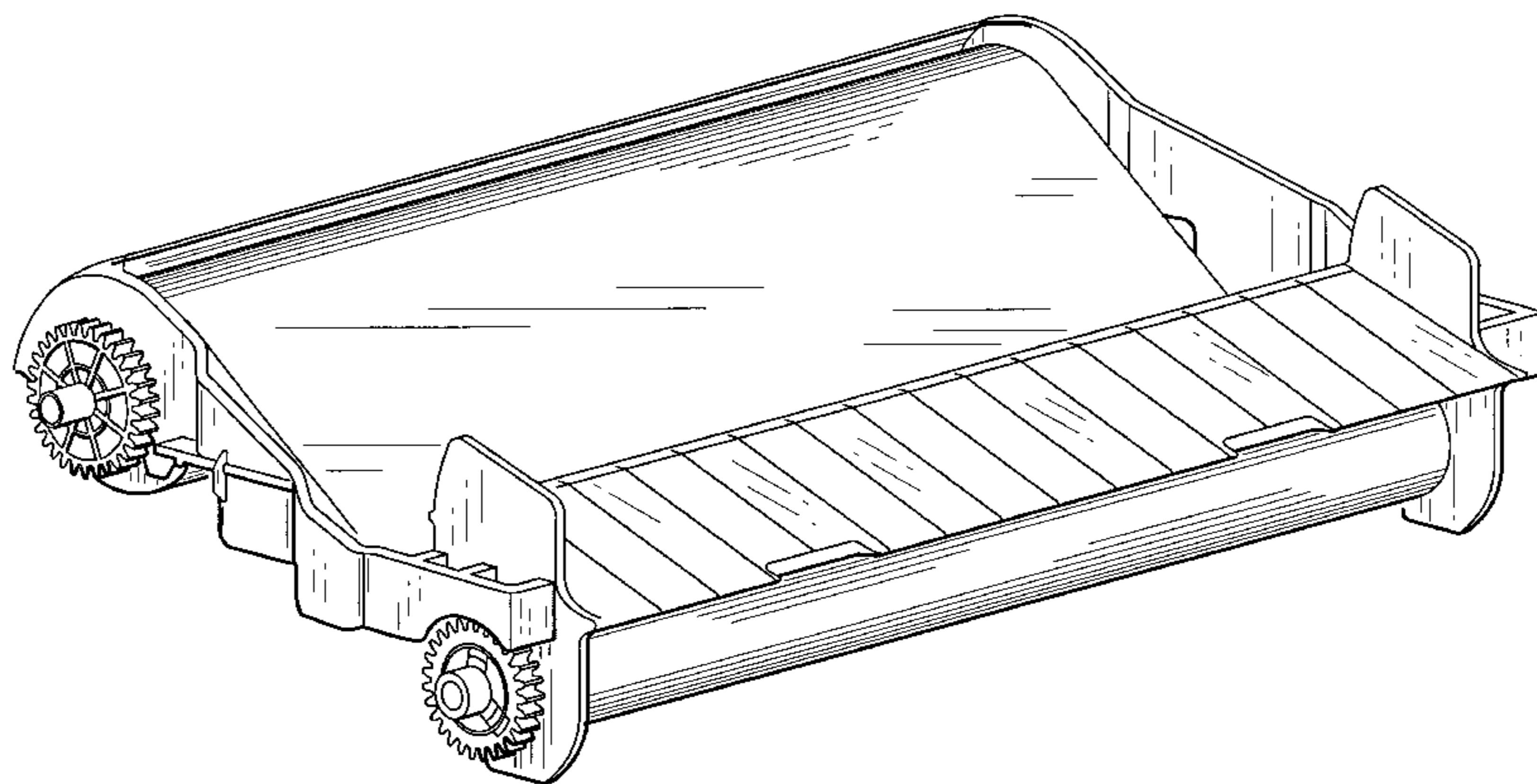
U.S. PATENT DOCUMENTS

D. 331,771 * 12/1992 Yoshihara D18/12

D. 383,743 * 9/1997 Suwa et al. D18/56

D. 420,696 * 2/2000 Yung et al. D18/12

1 Claim, 8 Drawing Sheets



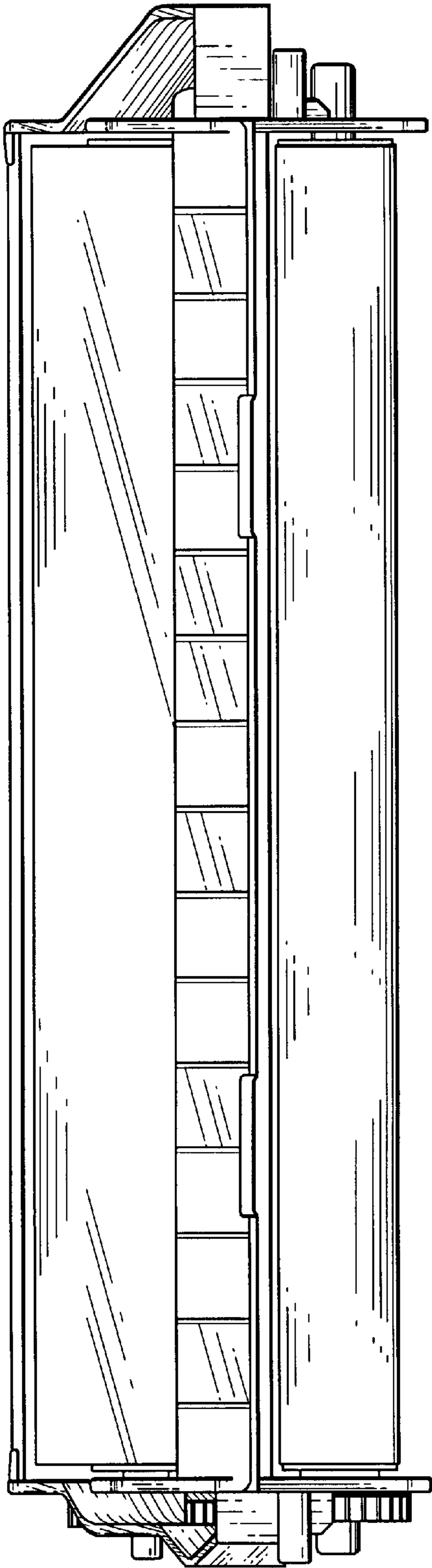


Fig. 1

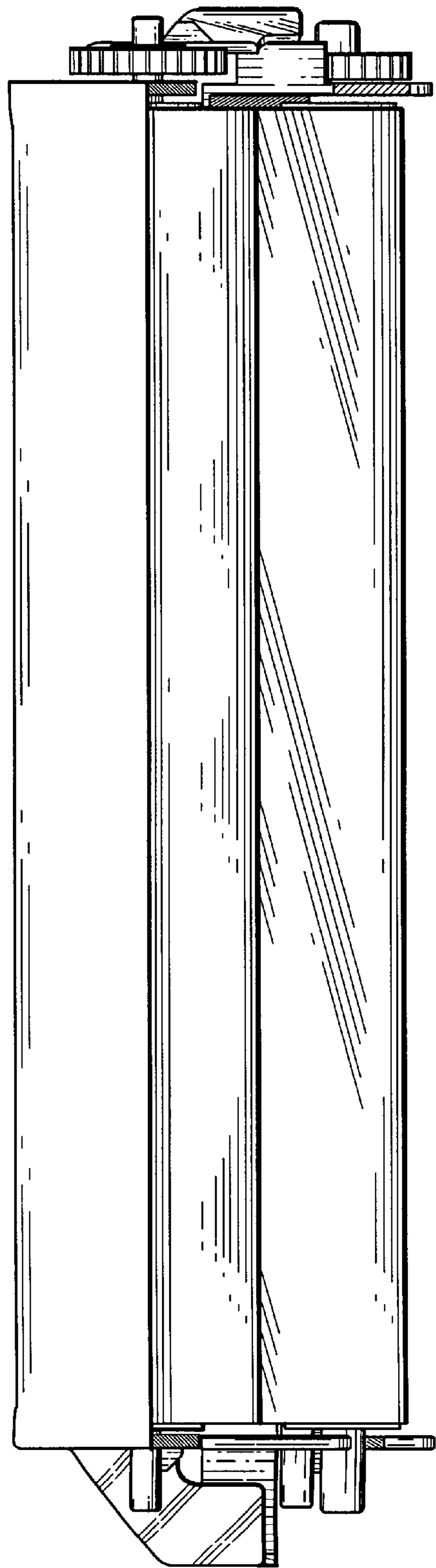


Fig. 2

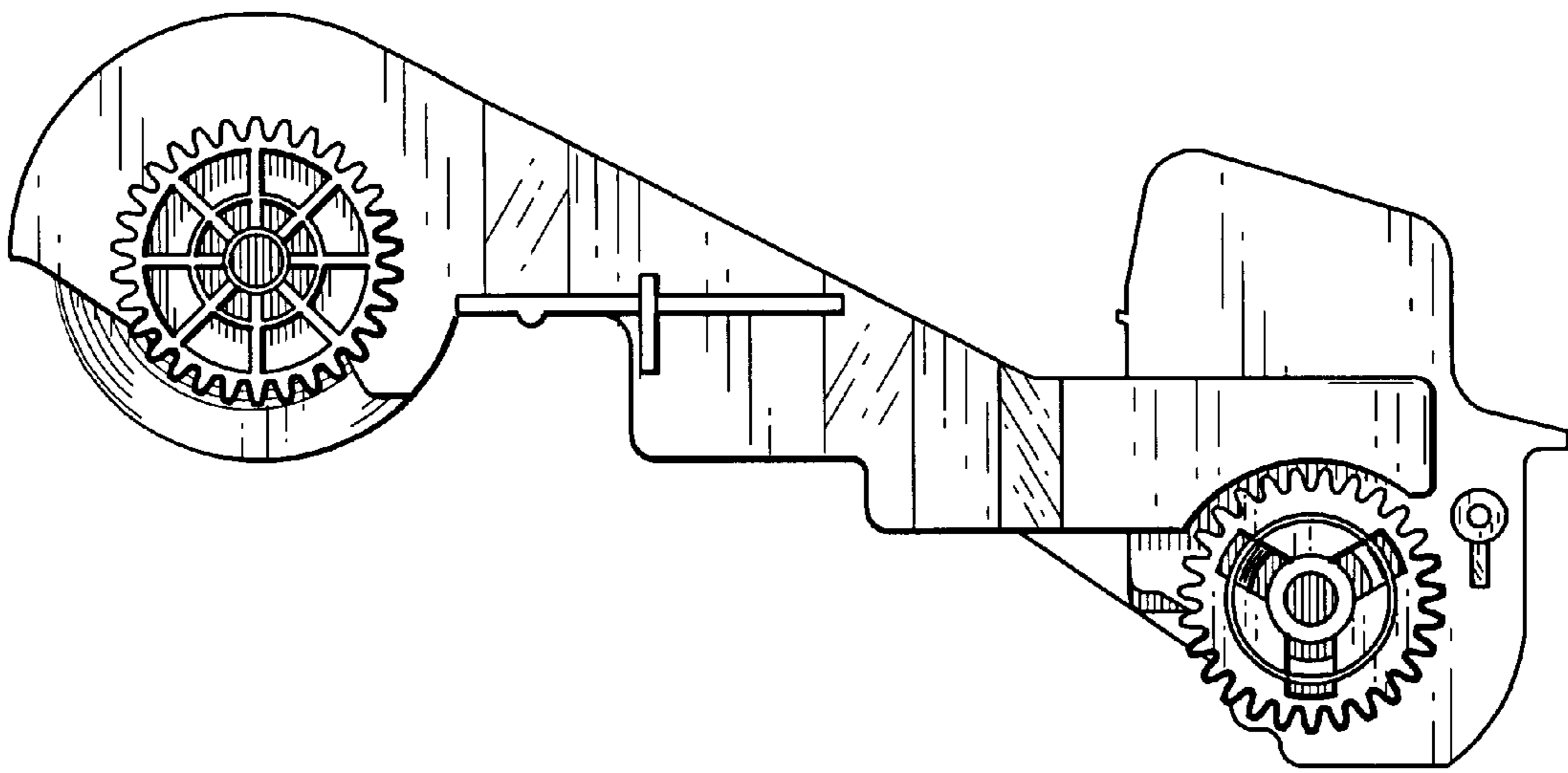


Fig. 3

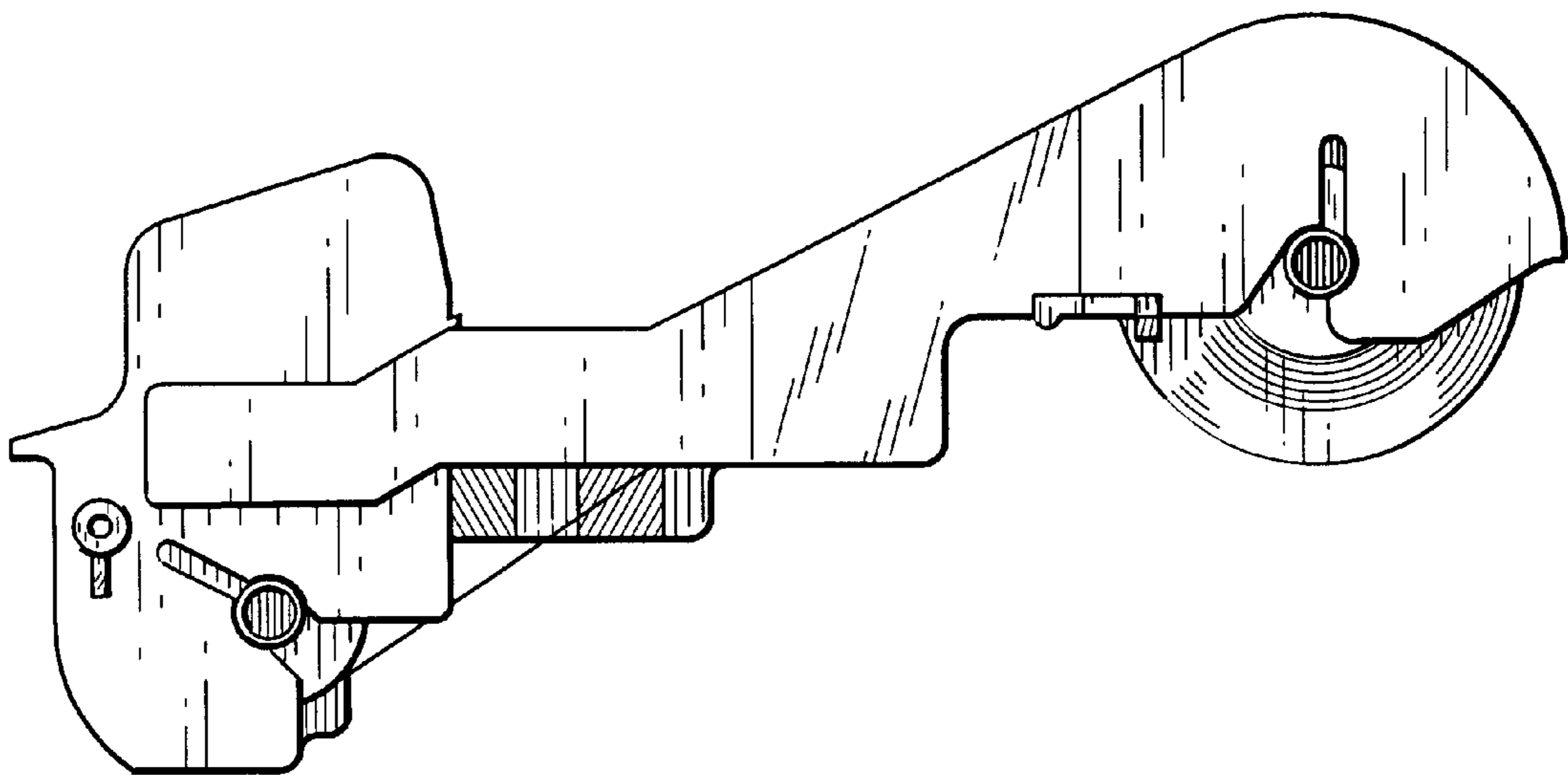


Fig. 4

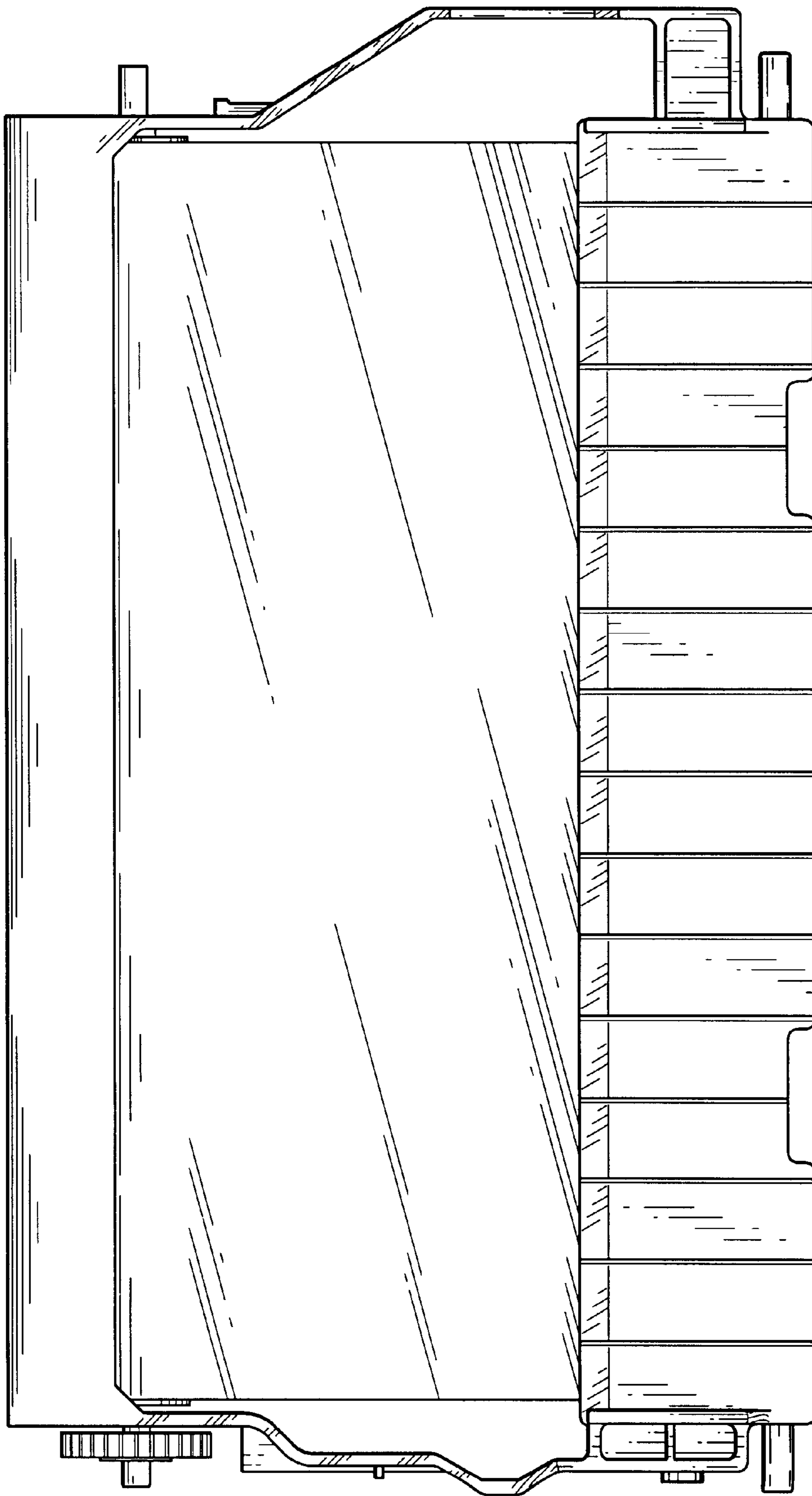


Fig. 5

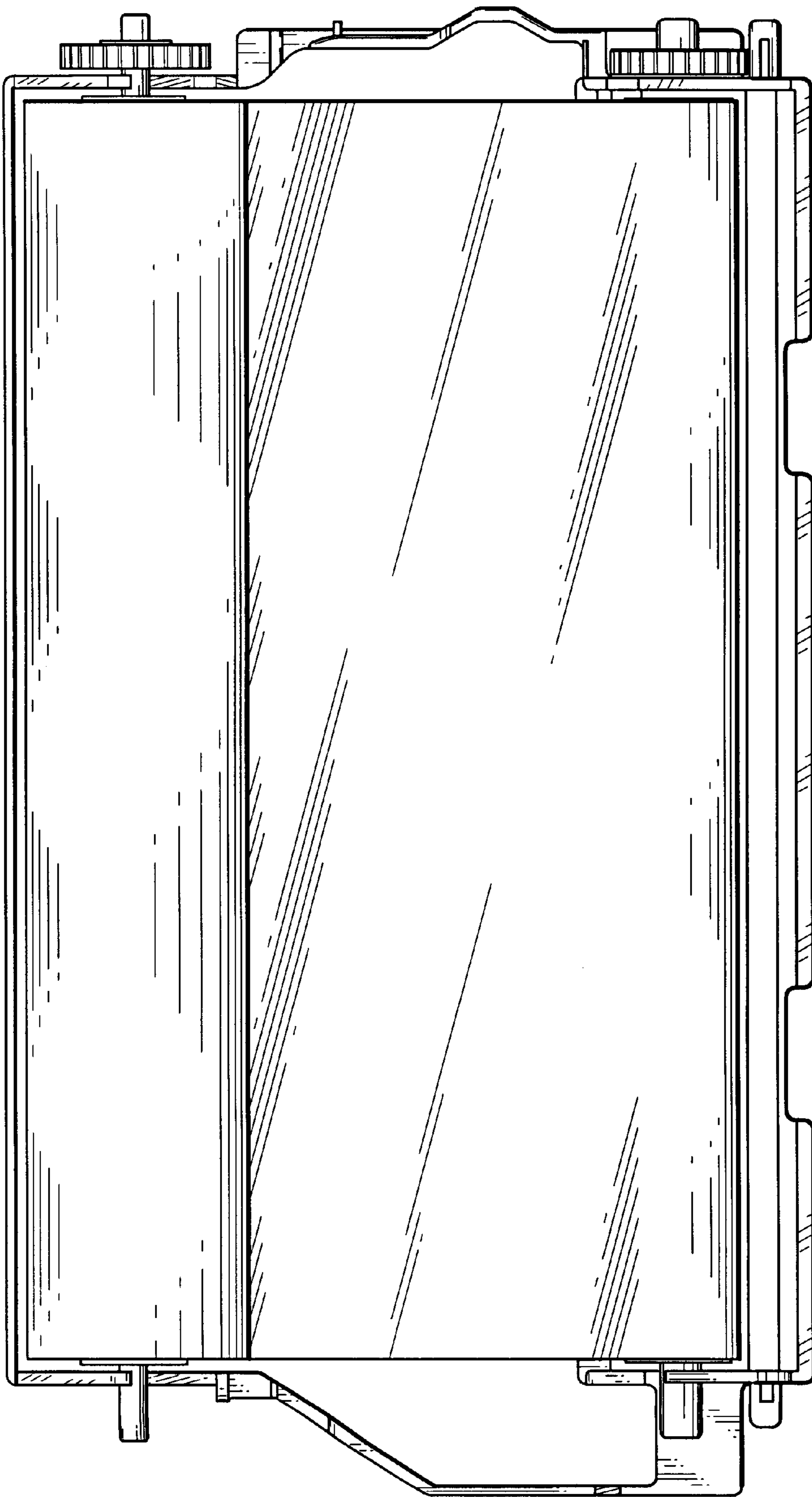


Fig. 6

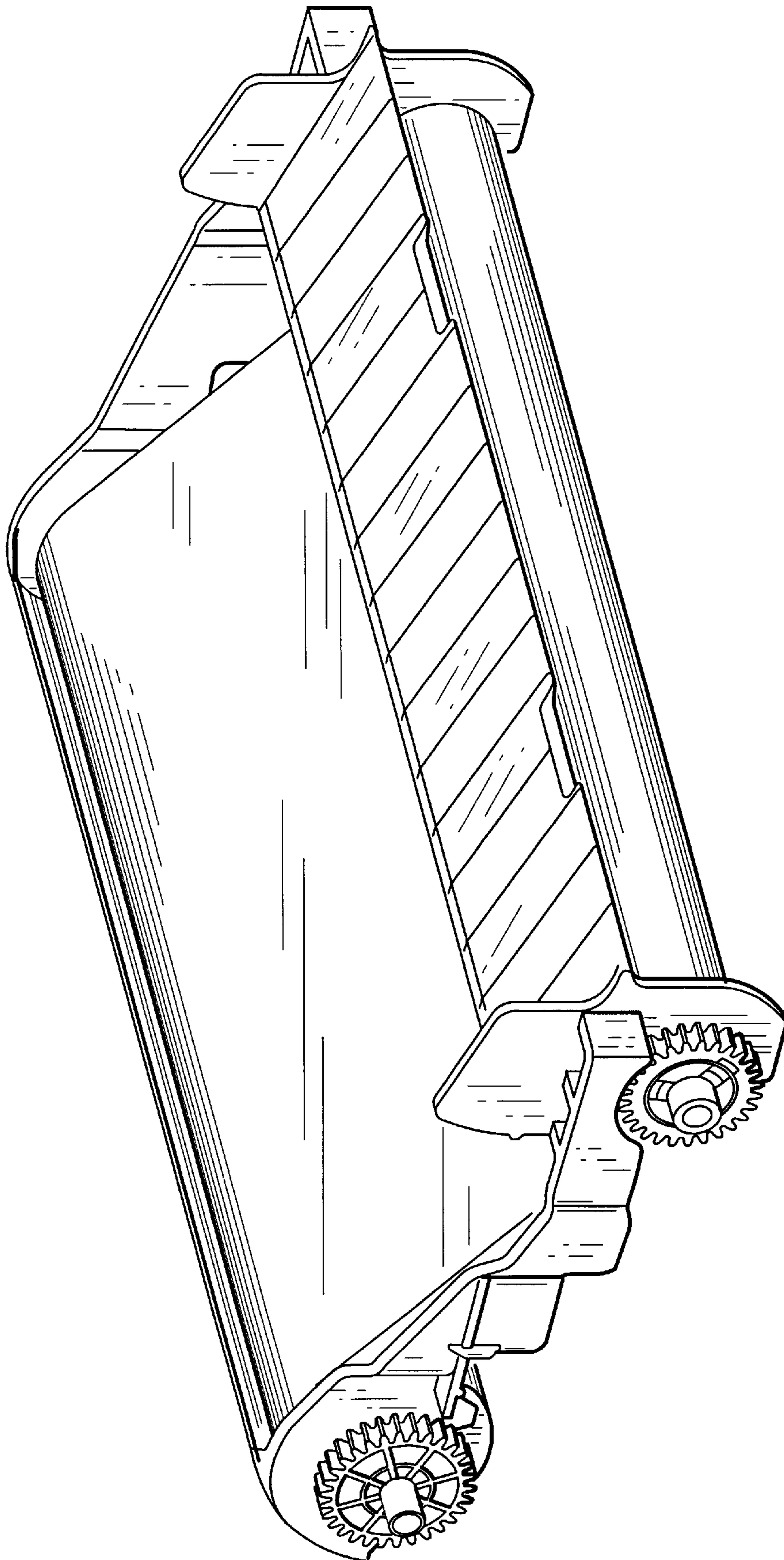


Fig. 7

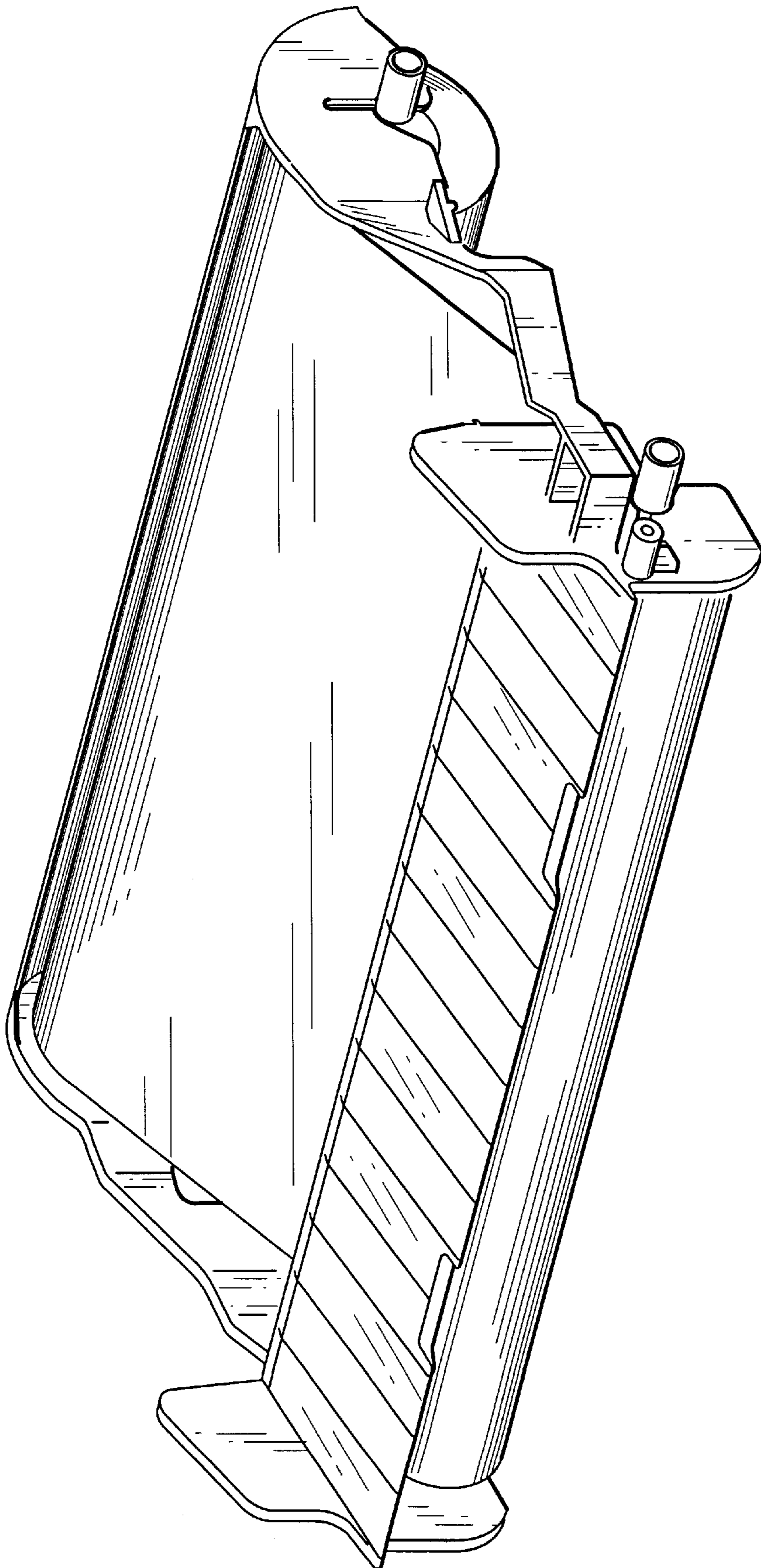


Fig. 8

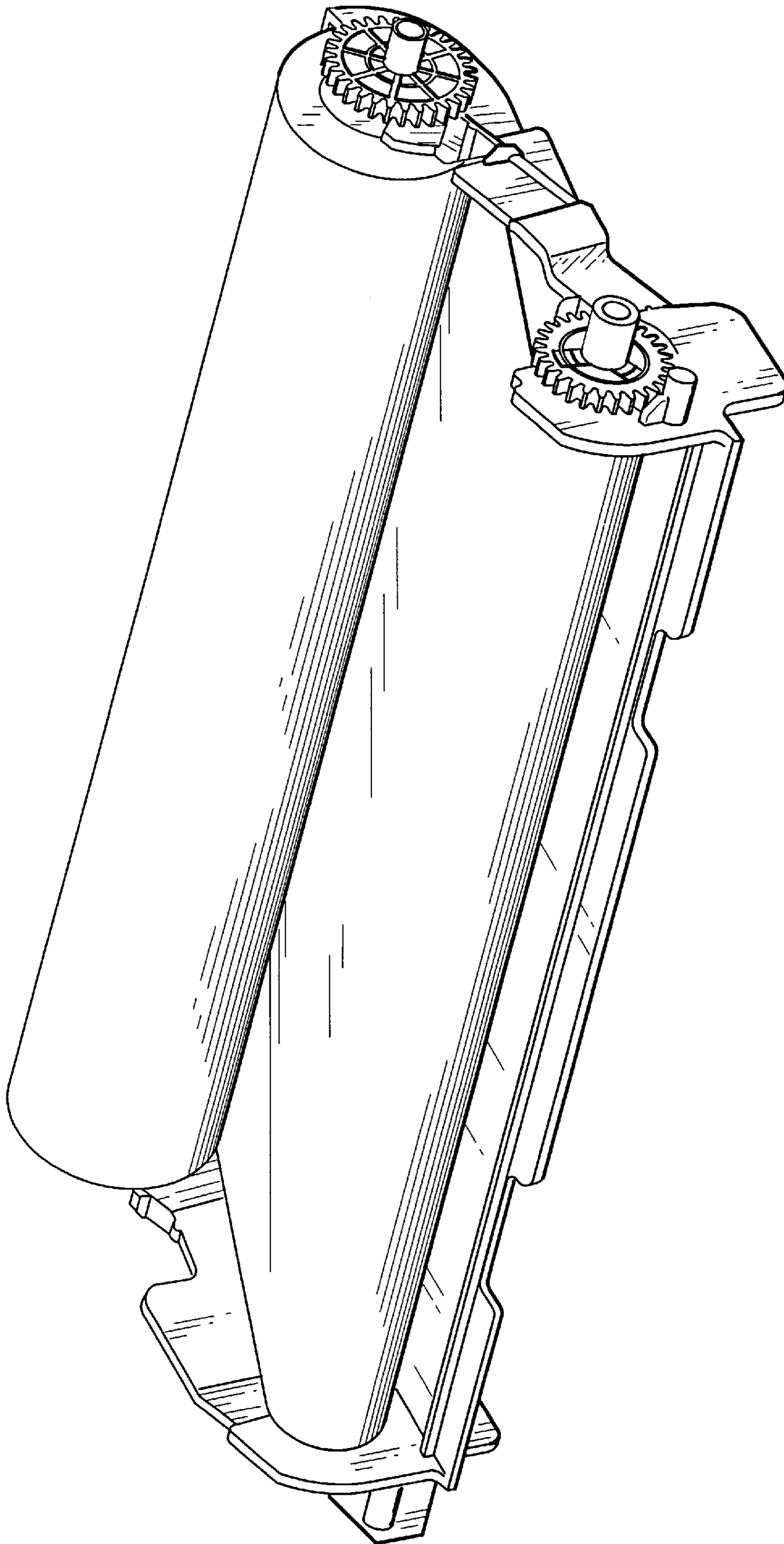


Fig. 9

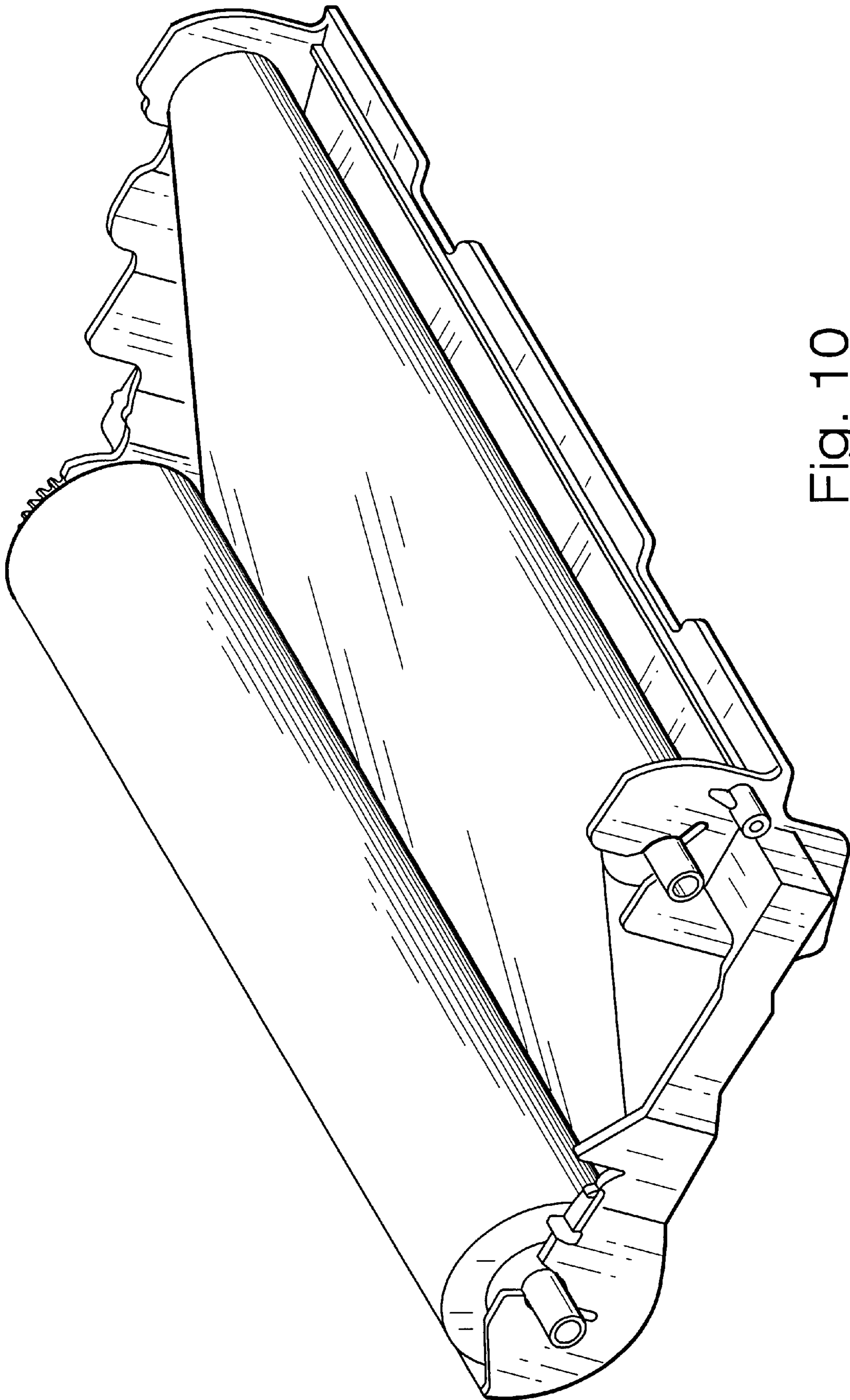


Fig. 10