



US00D442210S

(12) **United States Design Patent**
Chan

(10) **Patent No.:** **US D442,210 S**

(45) **Date of Patent:** **** May 15, 2001**

(54) **CLOCK WITH CALCULATOR AND CALENDAR**

D. 424,604 * 5/2000 Leung D18/7
D. 427,237 * 6/2000 Chu et al. D19/21

(75) Inventor: **Sik-Leung Chan, Tsuen Wan (CN)**

* cited by examiner

(73) Assignee: **C. C. & L Company Limited, Hong Kong (CN)**

Primary Examiner—Caron D. Veynar

(74) *Attorney, Agent, or Firm*—Alix, Yale & Ristas, LLP

(**) Term: **14 Years**

(57) **CLAIM**

The ornamental design for a clock with calculator and calendar, as shown and described.

(21) Appl. No.: **29/126,208**

(22) Filed: **Jul. 11, 2000**

DESCRIPTION

(51) **LOC (7) Cl.** **18-01**

FIG. 1 is a perspective view of a clock with calculator and calendar showing my new design;

(52) **U.S. Cl.** **D18/2; D10/2; D19/21; D19/25**

FIG. 2 is a front perspective view in opened position thereof;

(58) **Field of Search** **D18/2, 6, 7, 11; D10/2, 15; D19/21, 25; 235/61 R; 364/706-710**

FIG. 3 is a front elevational view thereof;

FIG. 4 is a rear elevational view thereof; and

FIG. 5 is a left side elevational view thereof;

FIG. 6 is a right side elevational view thereof;

FIG. 7 is a top plan view thereof; and,

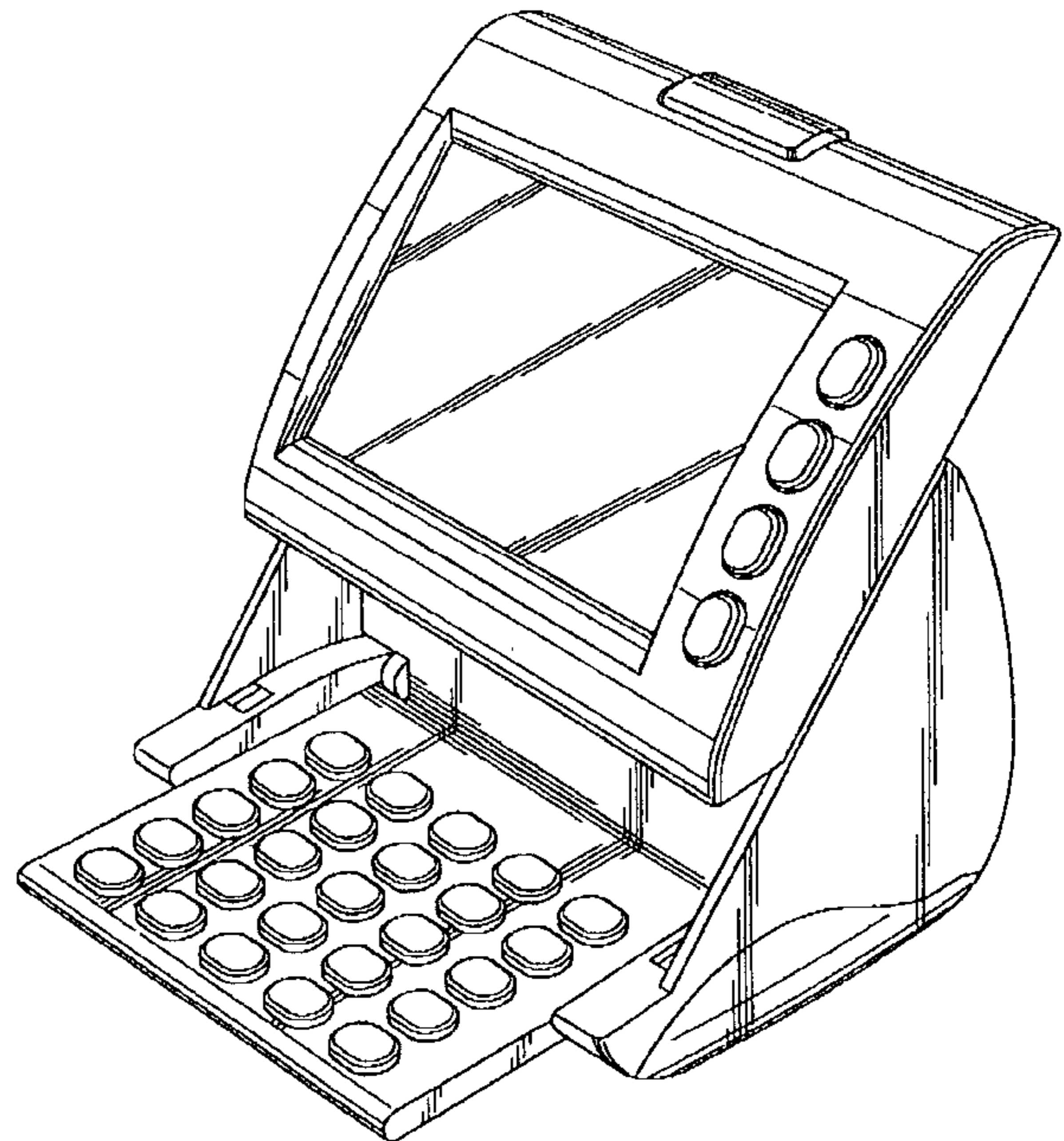
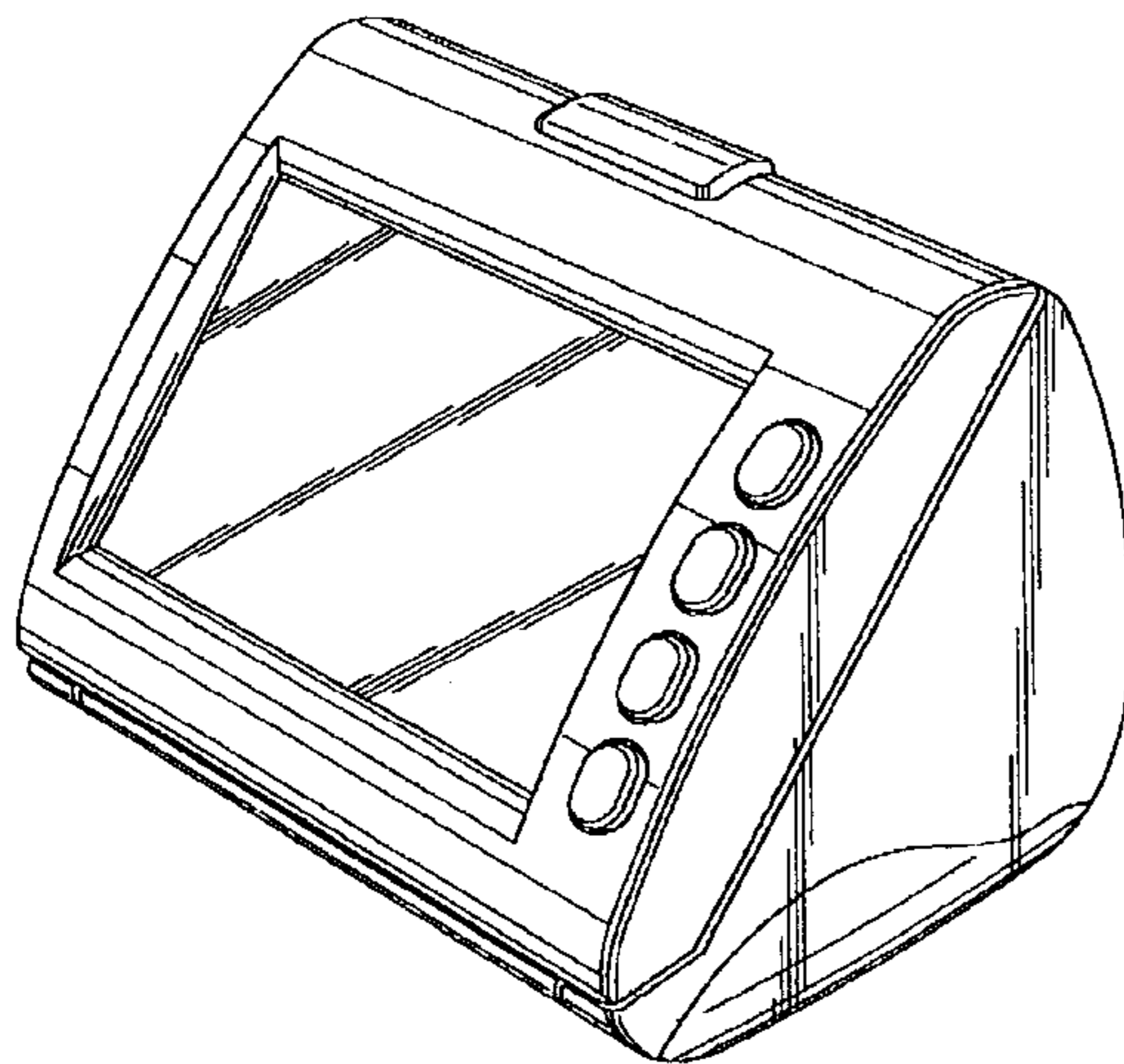
FIG. 8 is a bottom plan view thereof.

(56) **References Cited**

U.S. PATENT DOCUMENTS

D. 382,007 * 8/1997 Peersmann D18/2

1 Claim, 5 Drawing Sheets



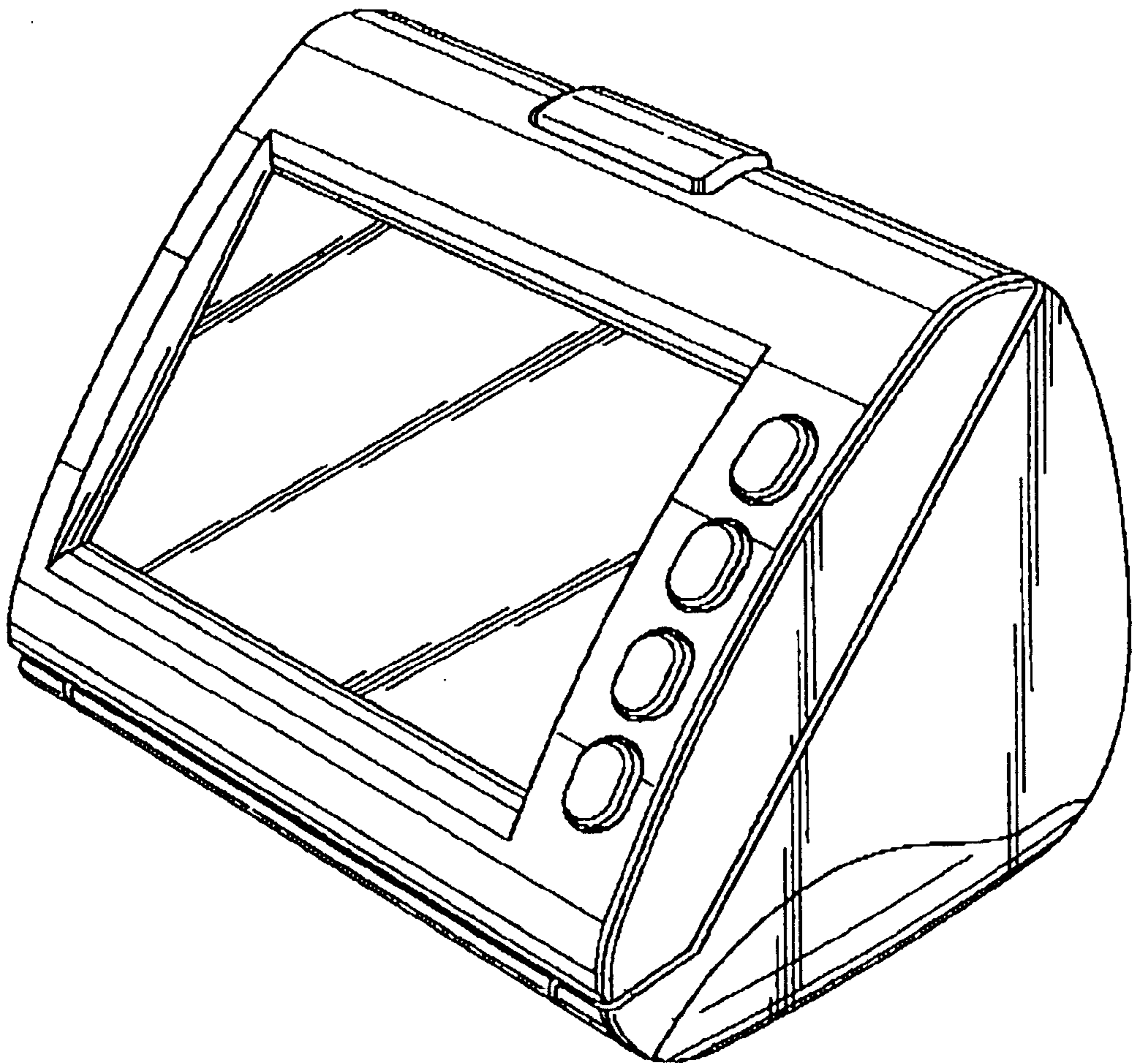


FIG. 1

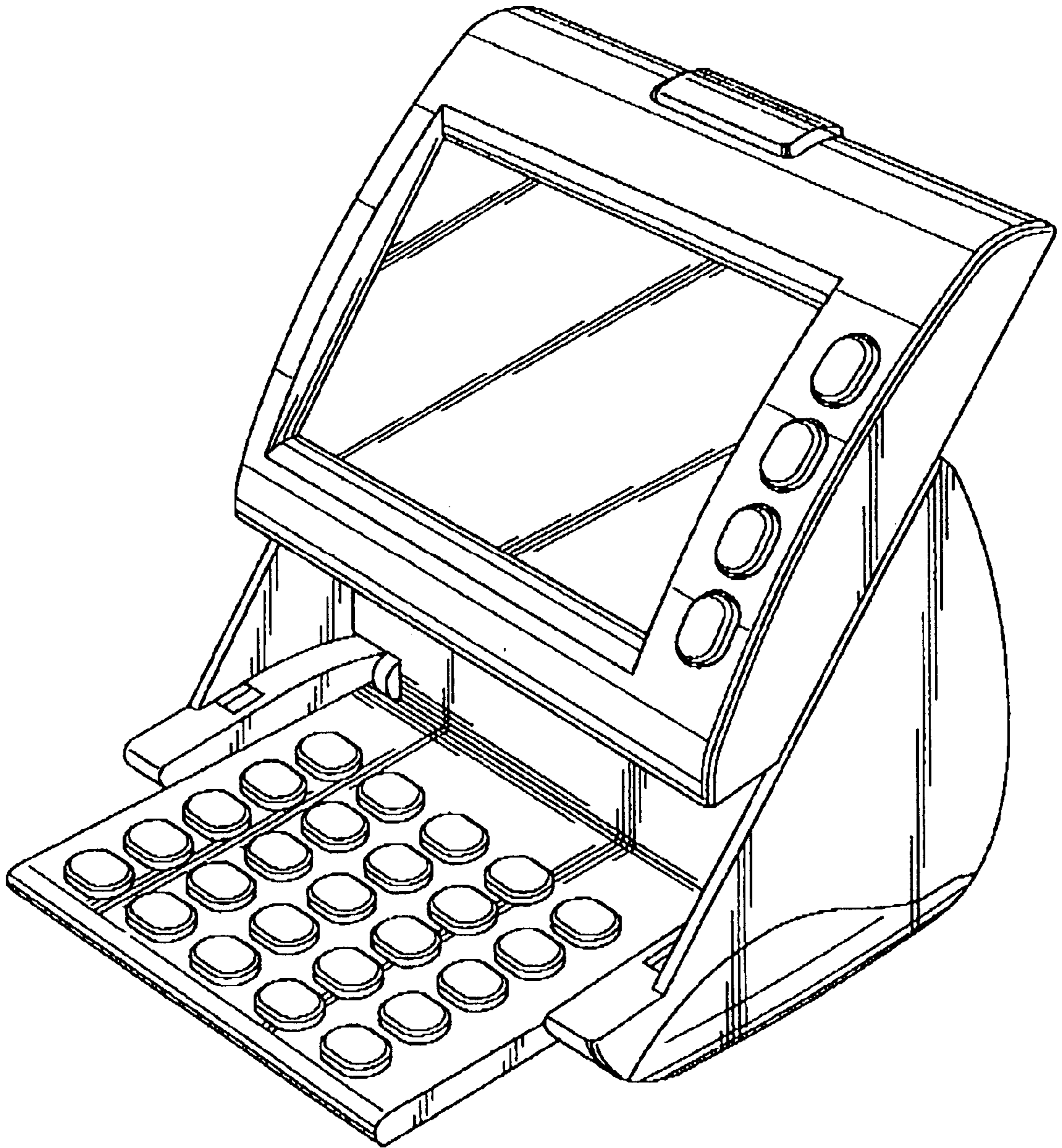


FIG. 2

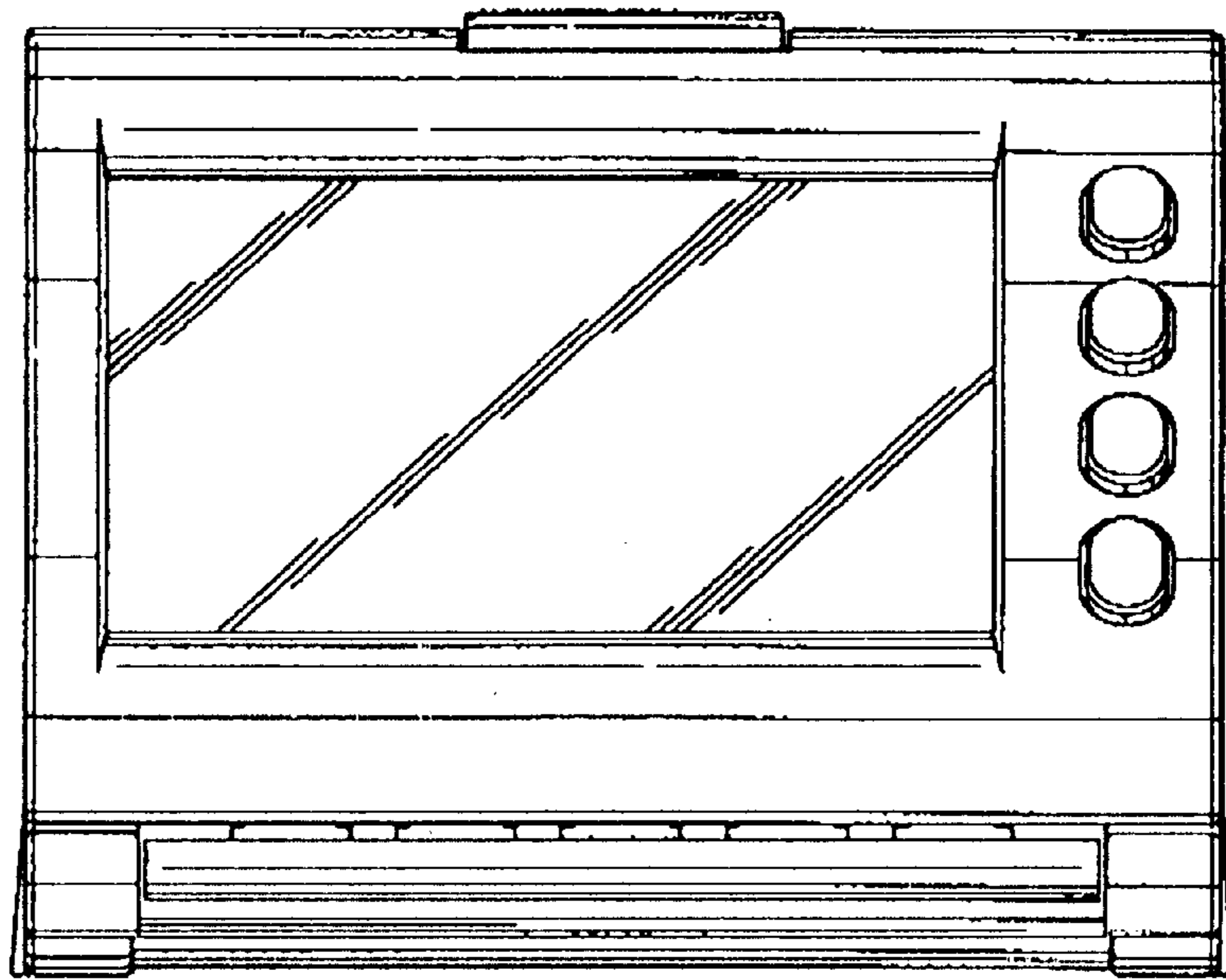


FIG. 3

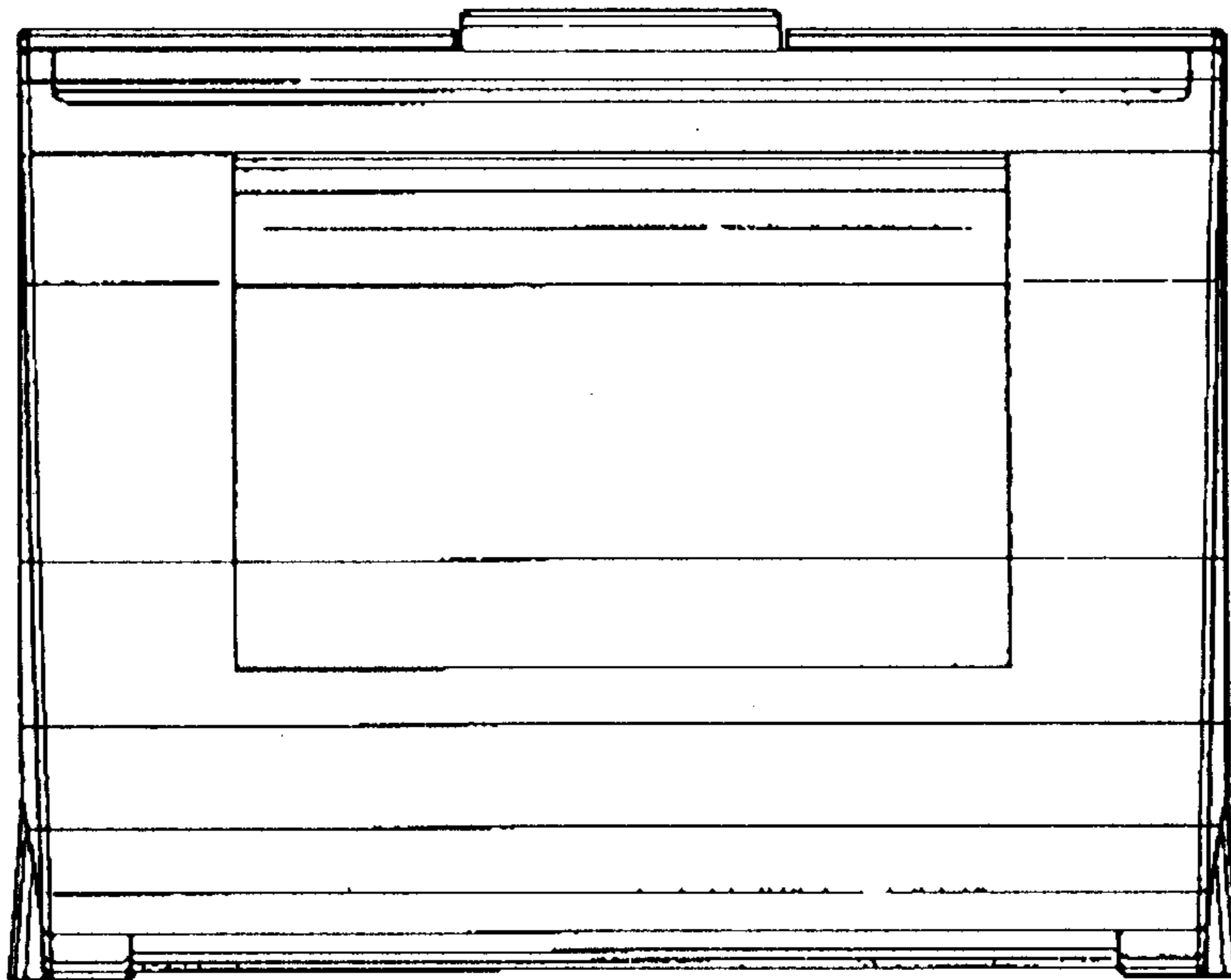


FIG. 4

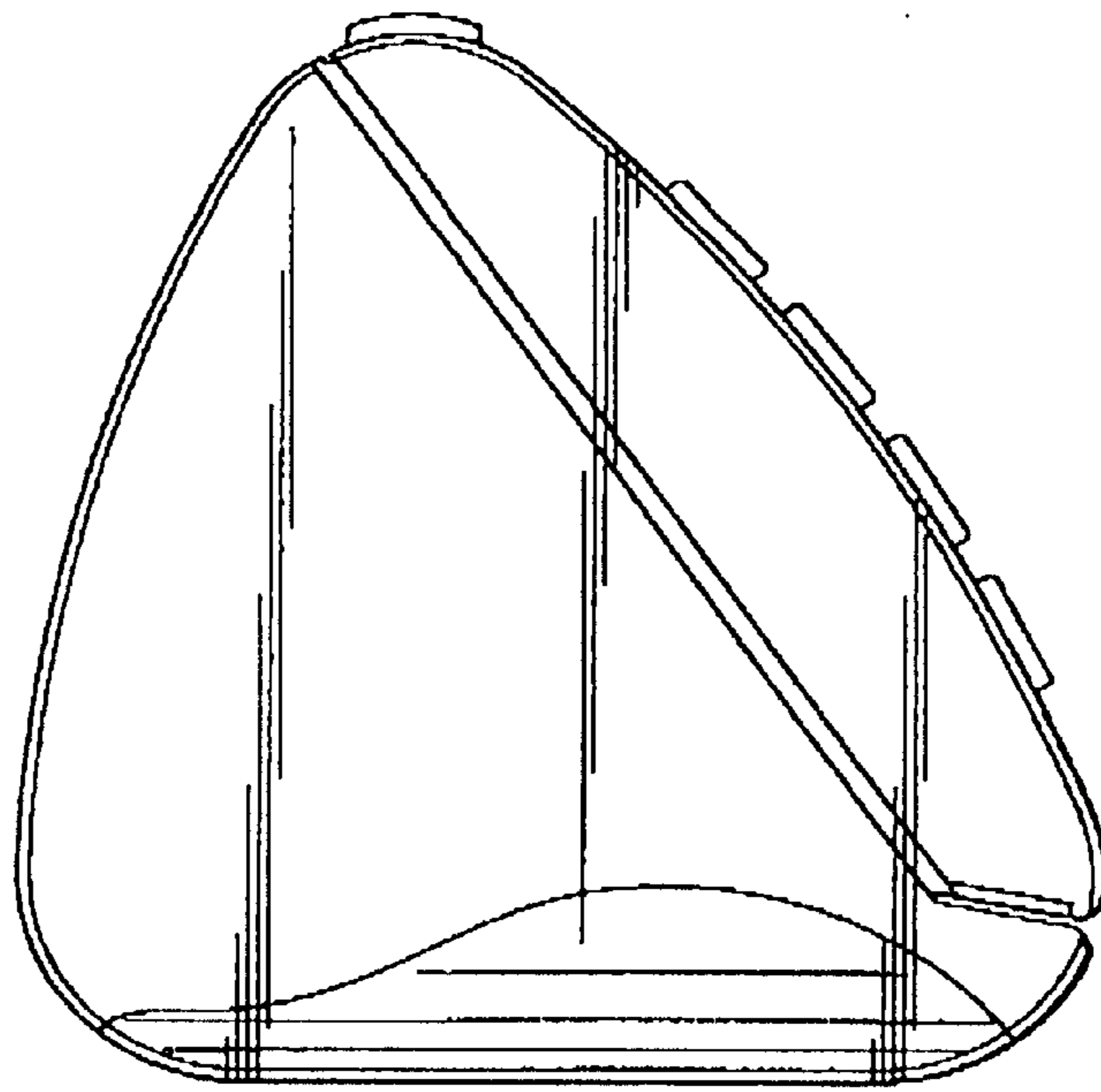


FIG. 5

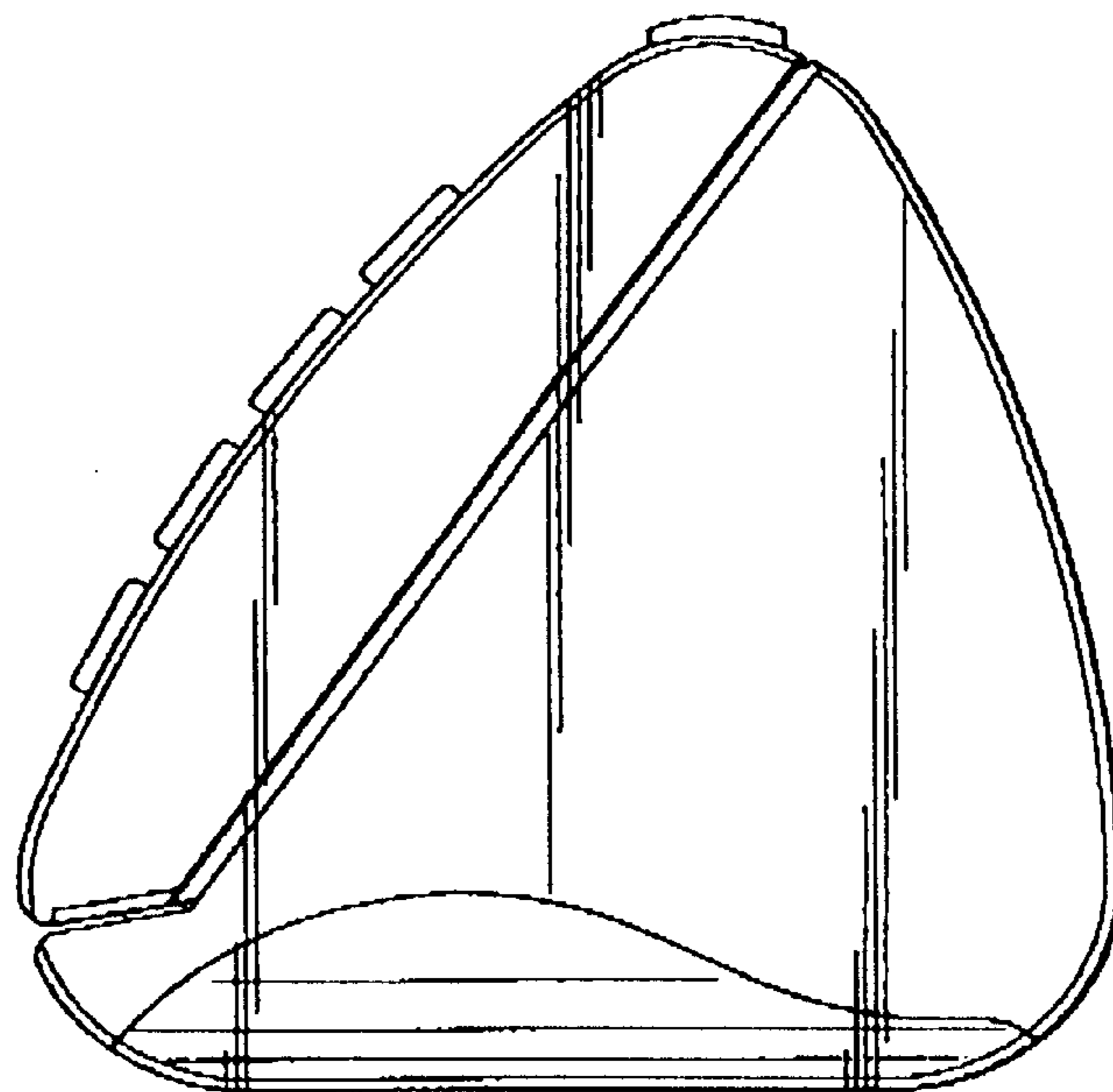


FIG. 6

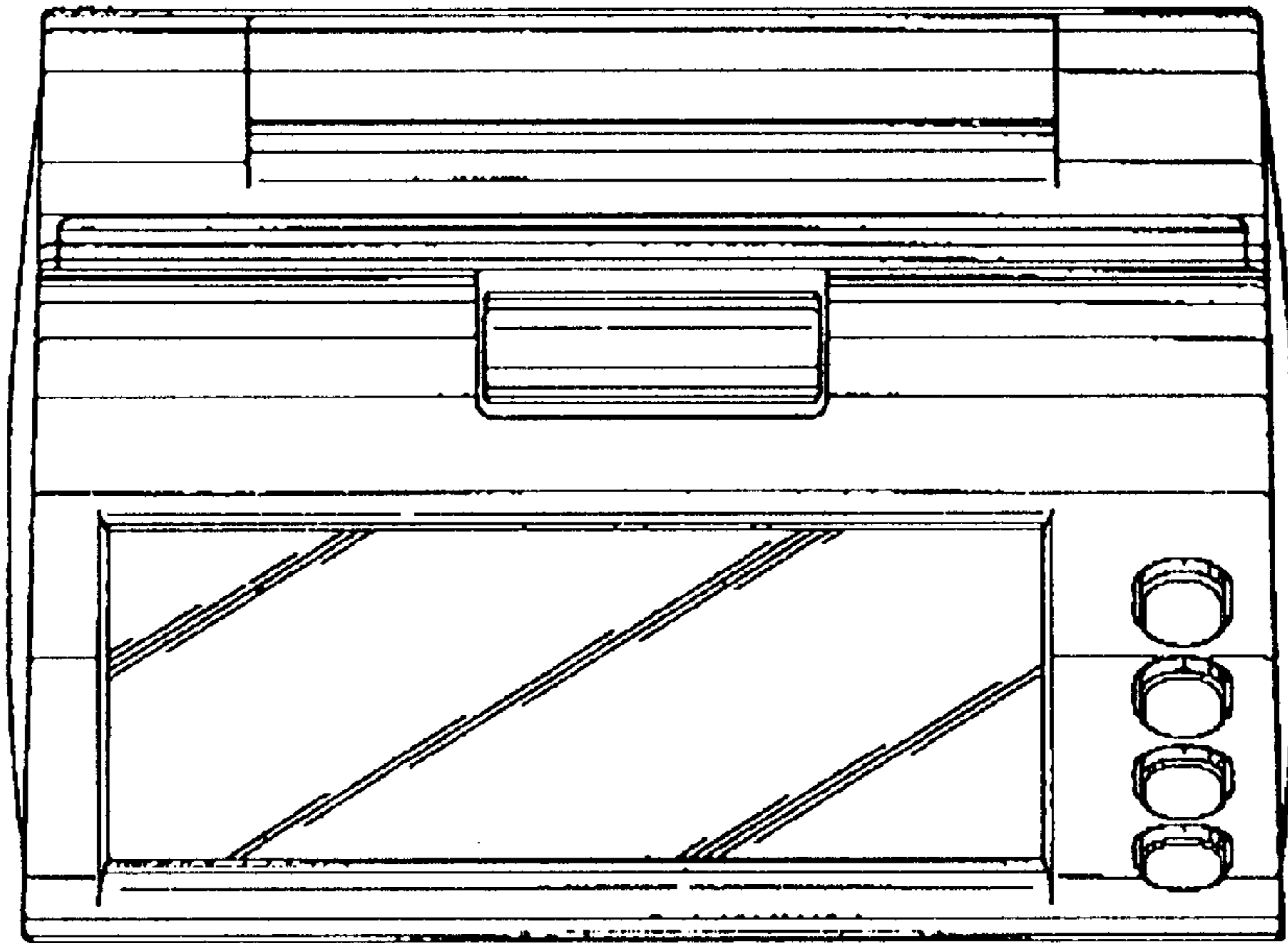


FIG. 7

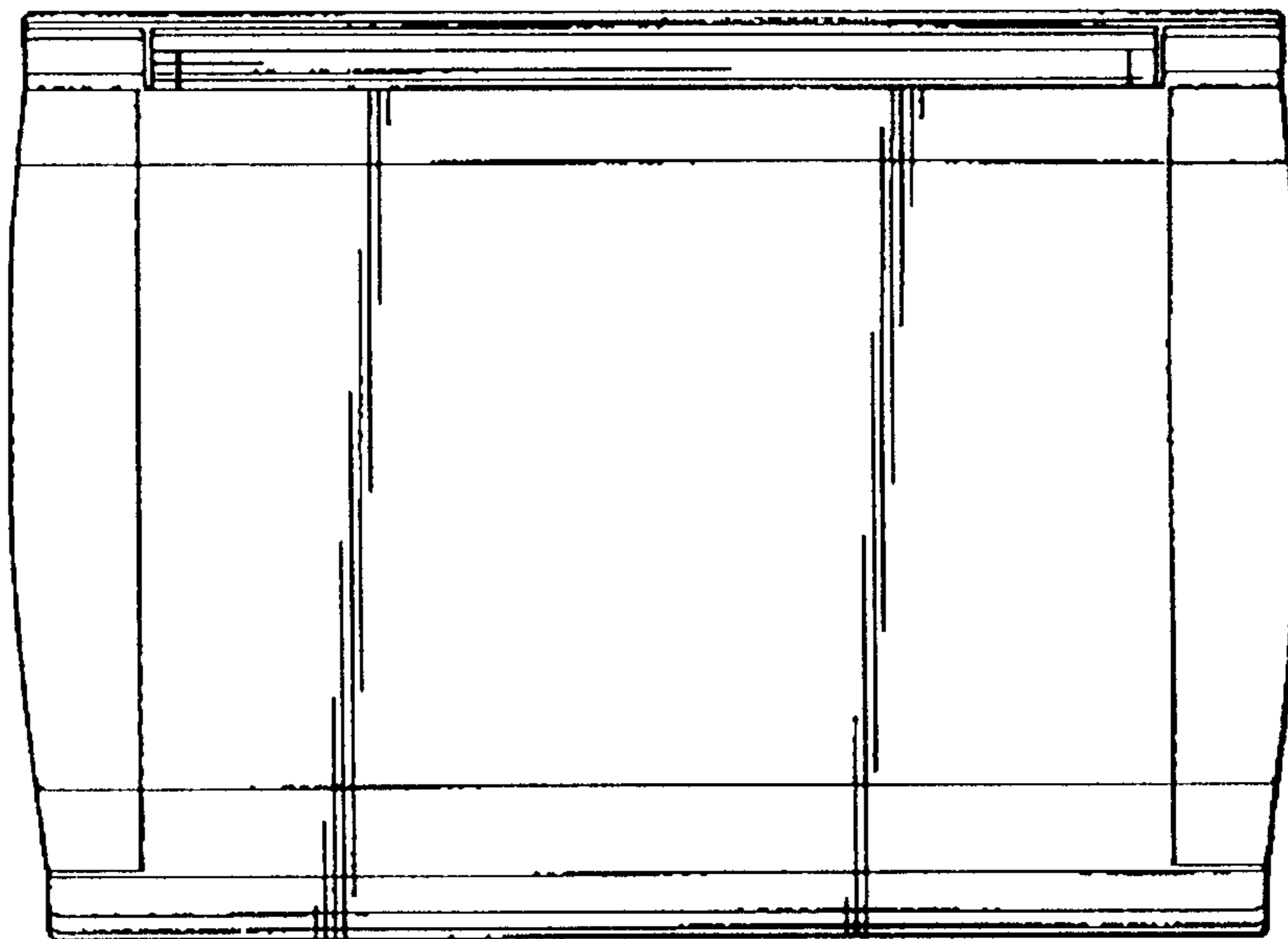


FIG. 8