



US00D442209S

(12) **United States Design Patent**
Dervis

(10) **Patent No.:** **US D442,209 S**

(45) **Date of Patent:** **** May 15, 2001**

(54) **COMPACT GUITAR TOOL**

(75) Inventor: **John V. Dervis**, 250 N. Hickory,
Bartlett, IL (US) 60103

(73) Assignee: **John V. Dervis**, Bartlett, IL (US)

(**) Term: **14 Years**

(21) Appl. No.: **29/103,377**

(22) Filed: **Apr. 14, 1999**

(51) **LOC (7) Cl.** **17-03**

(52) **U.S. Cl.** **D17/20; D8/14; 84/458**

(58) **Field of Search** **D8/14, 21, 71,**
D8/105; D17/20, 99; 7/167, 170; 84/304-306,
458

(56) **References Cited**

U.S. PATENT DOCUMENTS

D. 245,829	*	9/1977	Cowan	D8/14
D. 317,243	*	6/1991	Everding et al.	D8/14
3,901,293	*	8/1975	Cottone	84/458
4,625,614	*	12/1986	Spercel	84/306
5,272,953	*	12/1993	Koch	84/458

* cited by examiner

Primary Examiner—Adir Aronovich

(57) **CLAIM**

The ornamental design for a compact guitar tool, as shown and described.

DESCRIPTION

The cylindrical design form allows for a multifunction, all inclusive, compact tool for the adjustments and repairs of musical guitars.

FIG. 1 is a front, top and right side perspective view of a compact guitar tool showing my new design;

FIG. 2 is a rear, bottom and left side perspective view thereof;

FIG. 3 is a front elevational view thereof;

FIG. 4 is a right side elevational view thereof;

FIG. 5 is a rear elevational view thereof;

FIG. 6 is a left side elevational view thereof;

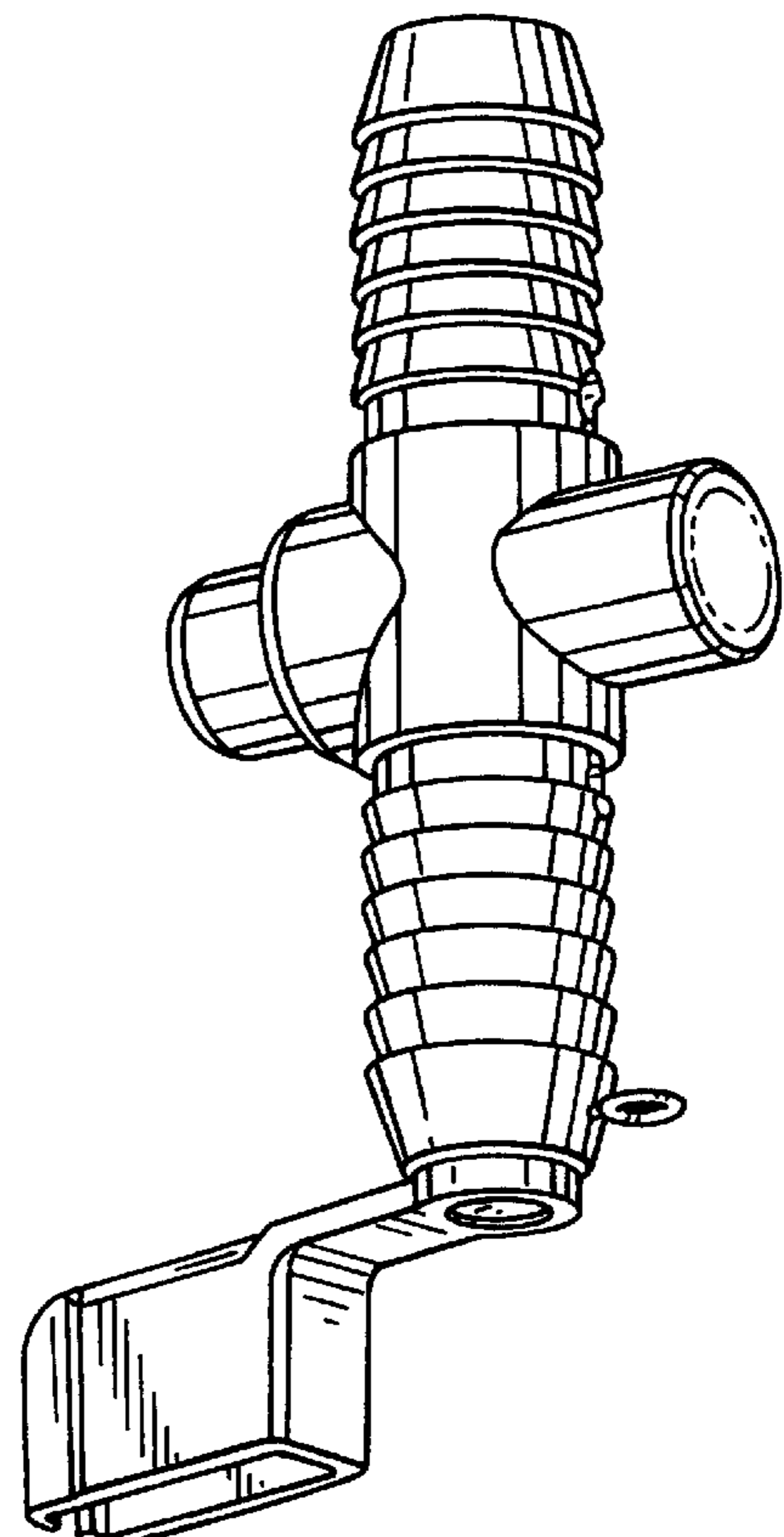
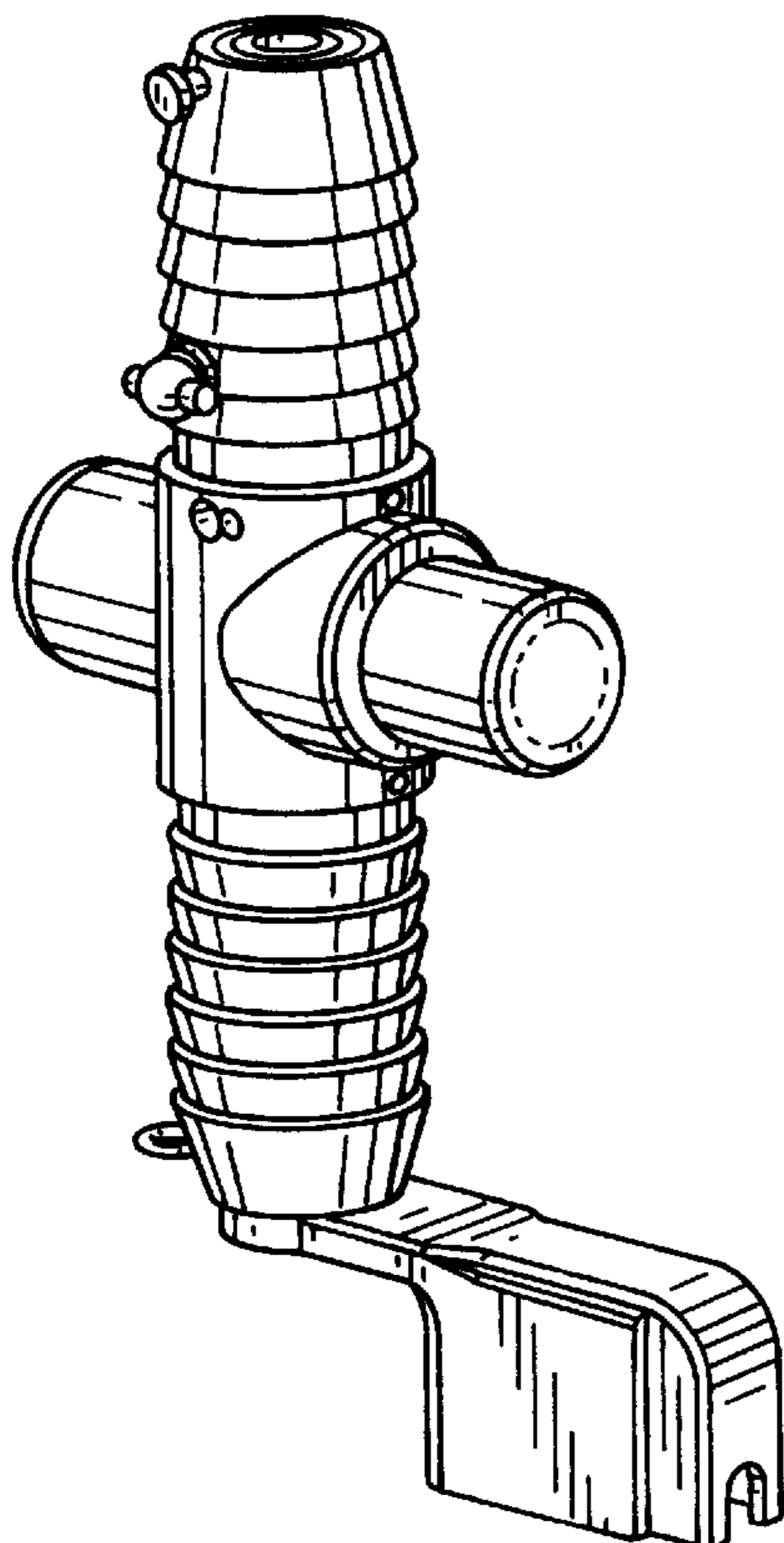
FIG. 7 is a top plan view thereof;

FIG. 8 is a bottom plan view thereof; and,

FIG. 9 is a perspective view similar to FIG. 1, the broken lines showing of the pliers and screwdriver bits are for illustrative purposes only and form no part of the claimed design.

The broken lines shown in FIGS. 1, 2, 4, 6, 7 and 9 are for illustrative purposes only and form no part of the claimed design.

1 Claim, 2 Drawing Sheets



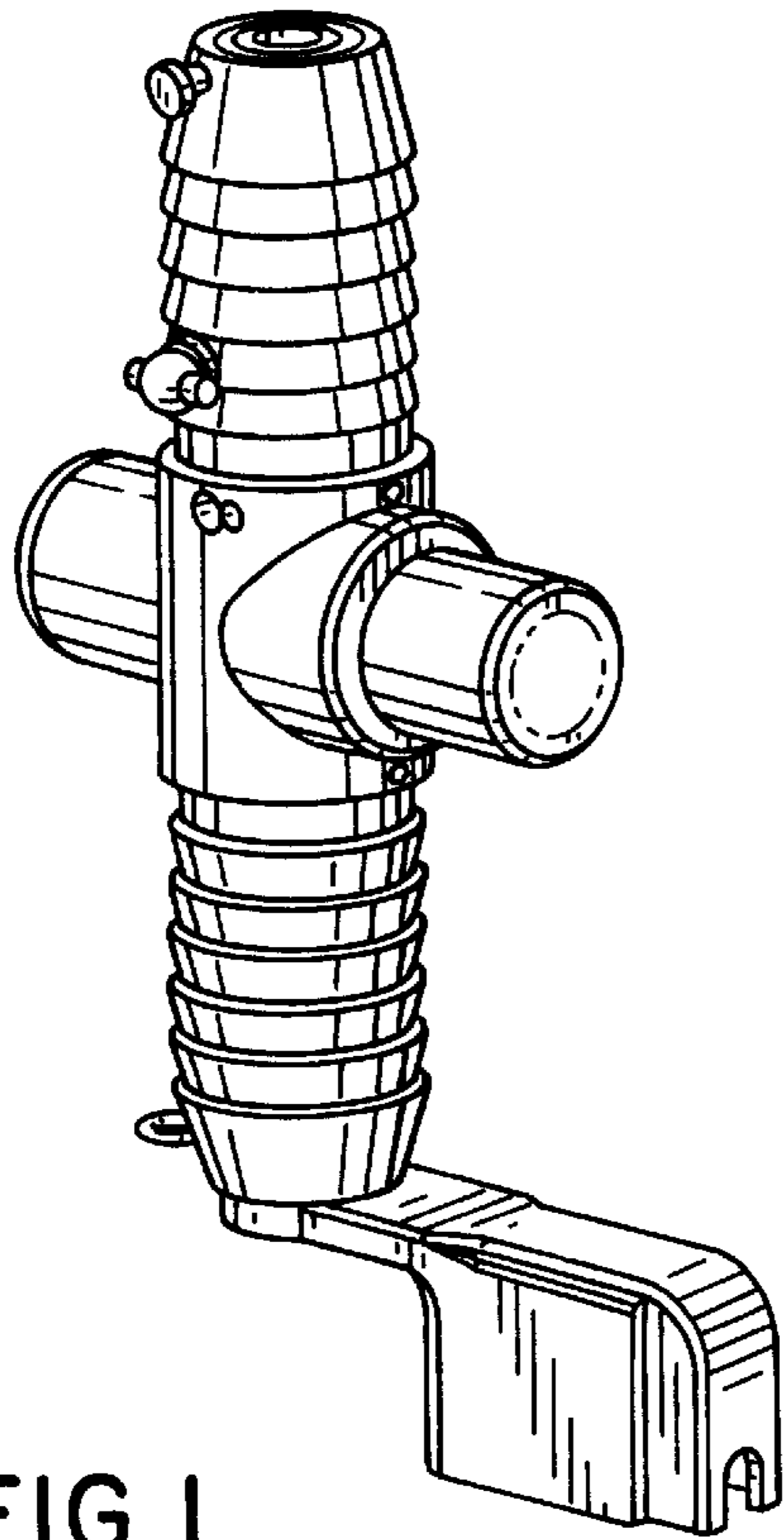


FIG. 1

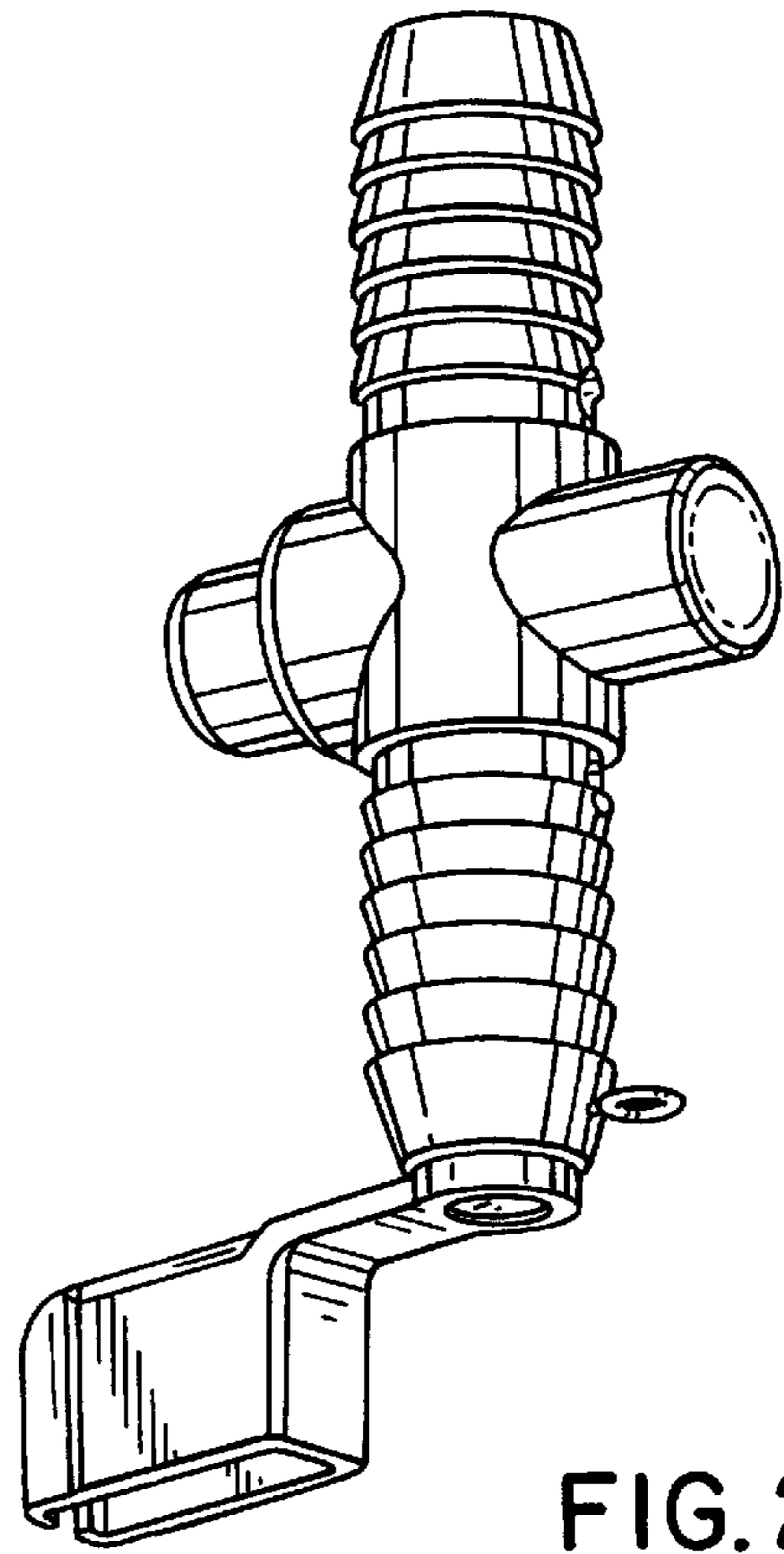


FIG. 2

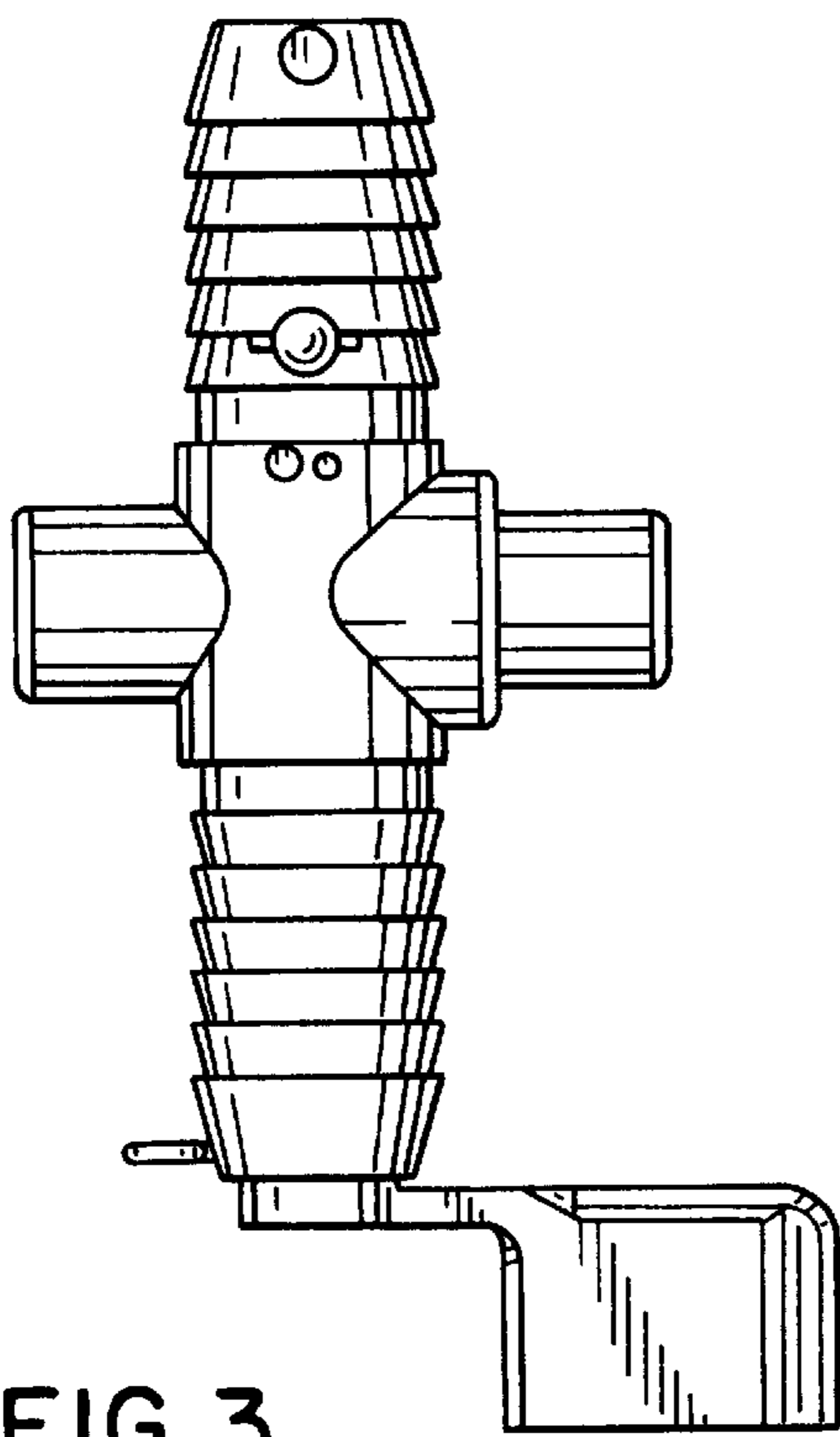


FIG. 3

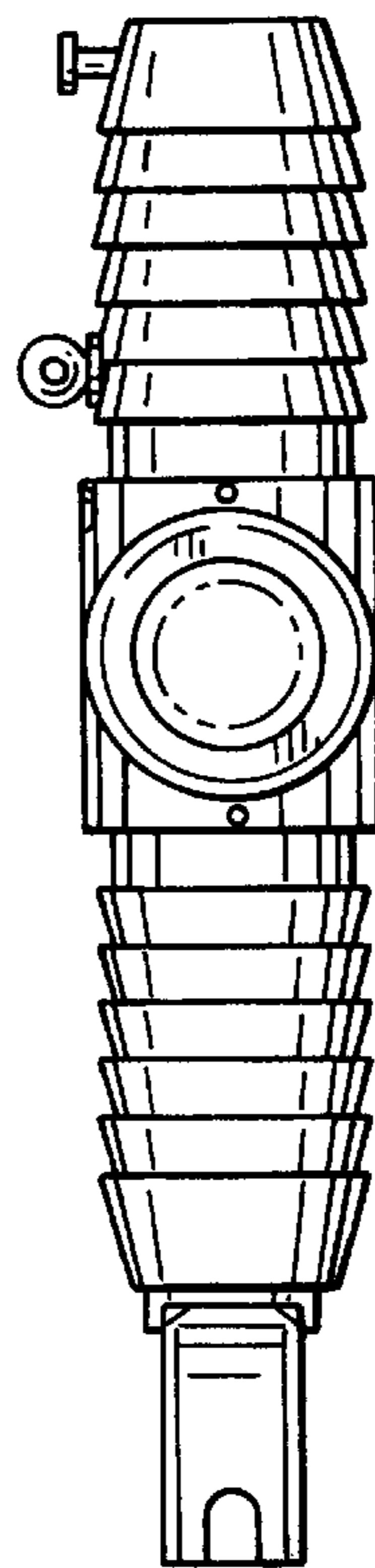


FIG. 4

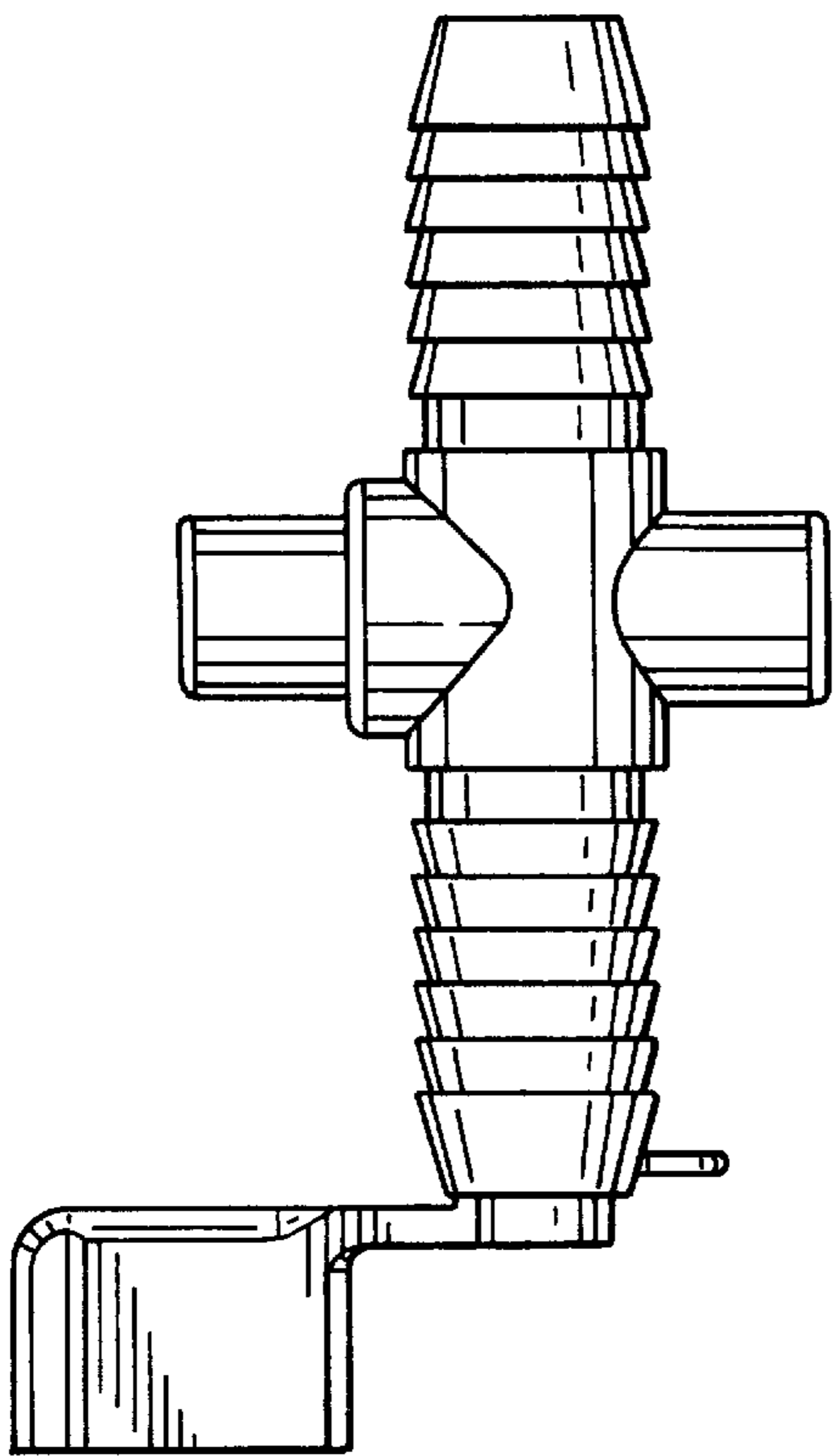


FIG. 5

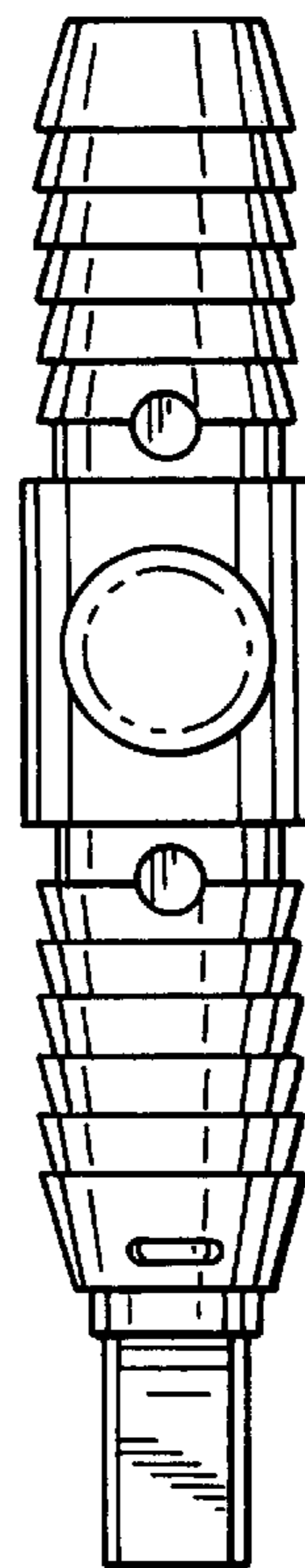


FIG. 6

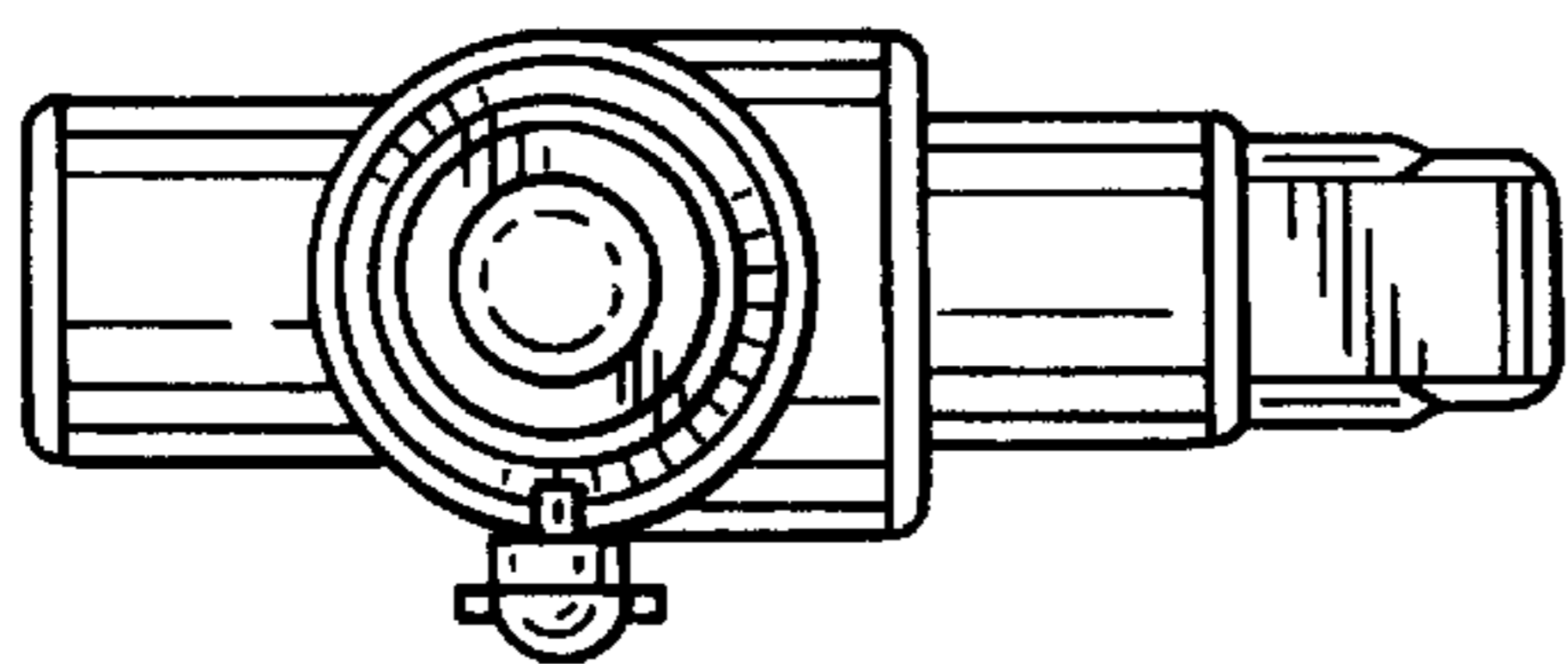


FIG. 7

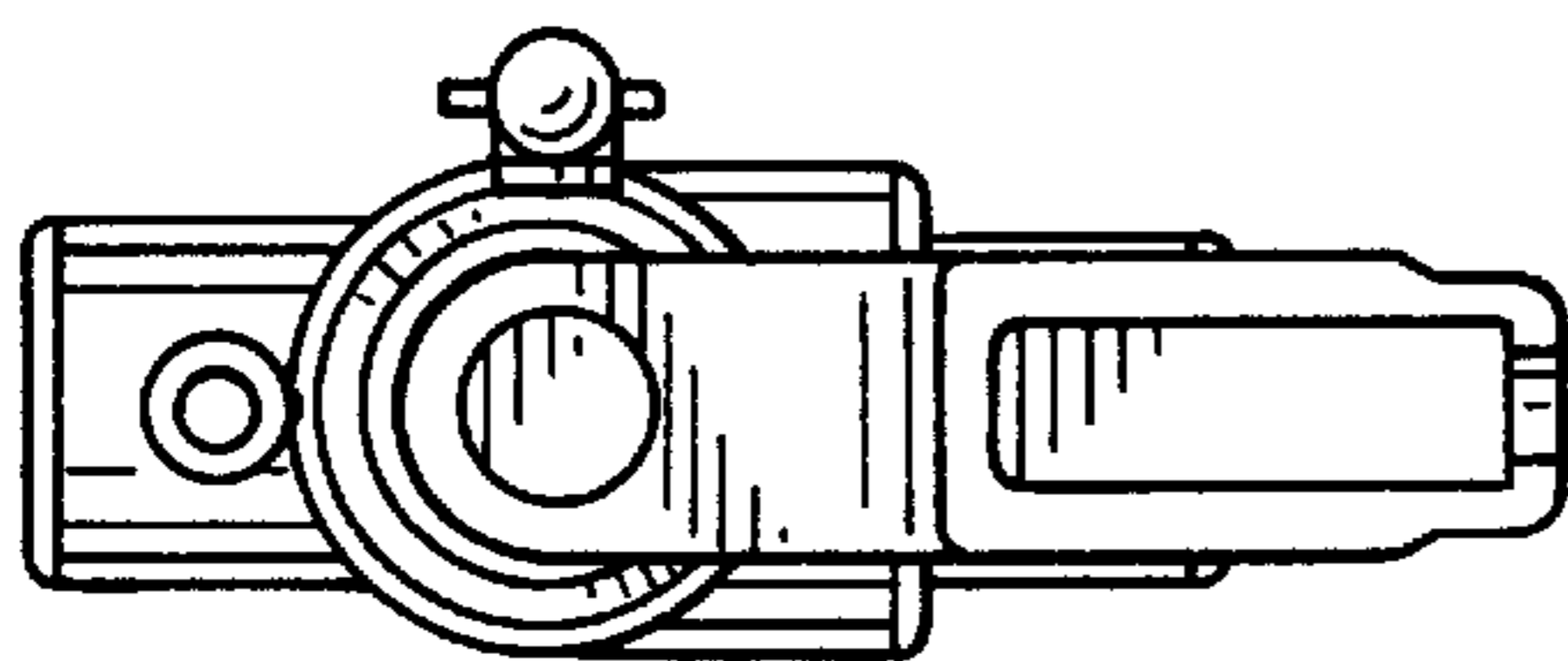


FIG. 8

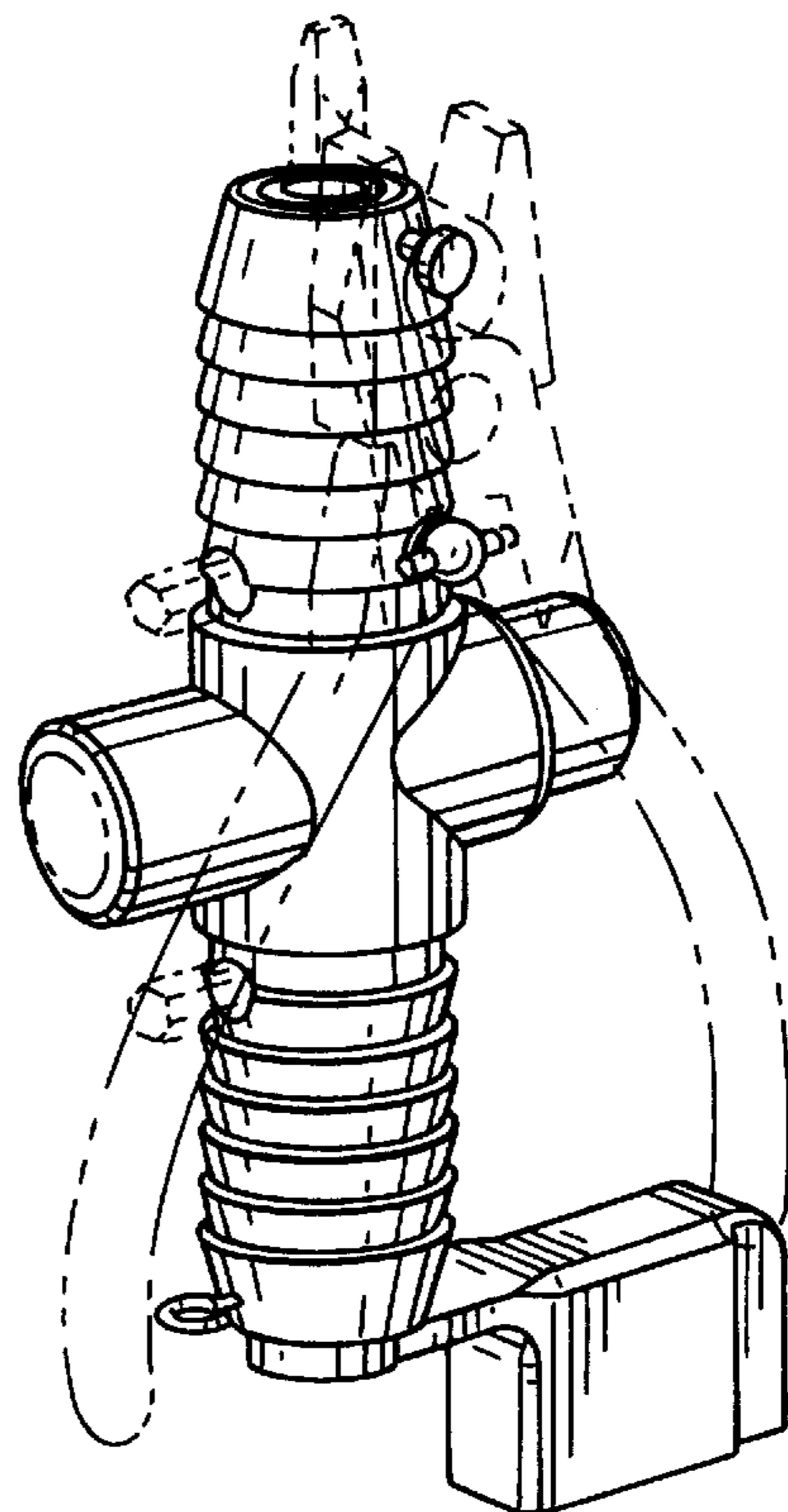


FIG. 9