



US00D442205S

(12) **United States Design Patent**
Rodriguez, Jr. et al.

(10) **Patent No.:** **US D442,205 S**

(45) **Date of Patent:** **** May 15, 2001**

(54) **PROJECTION WALL SYSTEM**

3,610,728 * 10/1971 Firth 359/446

(75) Inventors: **Ernesto M. Rodriguez, Jr.; Kit Russell Morris**, both of Austin; **Steven Gary Saxe**, Round Rock, all of TX (US)

* cited by examiner

Primary Examiner—Adir Aronovich
(74) *Attorney, Agent, or Firm*—Nestor F. Ho

(73) Assignee: **3M Innovative Properties Company**, St. Paul, MN (US)

(57) **CLAIM**

The ornamental design for an projection wall system, as shown and described.

(**) Term: **14 Years**

DESCRIPTION

(21) Appl. No.: **29/124,925**

FIG. 1 is a perspective view of a projection wall system showing our new design;

(22) Filed: **Jun. 14, 2000**

FIG. 2 is front elevation view of the projection wall system illustrated in FIG. 1.

(51) **LOC (7) Cl.** **16-02**

FIG. 3 is top plan view of the projection wall system illustrated in FIG. 1.

(52) **U.S. Cl.** **D16/225; D16/221; D16/241**

FIG. 4 is a bottom plan view of the projection wall system illustrated in FIG. 1.

(58) **Field of Search** D16/221, 225, D16/237, 241; 40/560; 353/74, 119, 122; 359/443, 446, 453, 457

FIG. 5 is a left side elevation view of the projection wall system illustrated in FIG. 1.

(56) **References Cited**

FIG. 6 is a right elevation view of the projection wall system illustrated in FIG. 1.

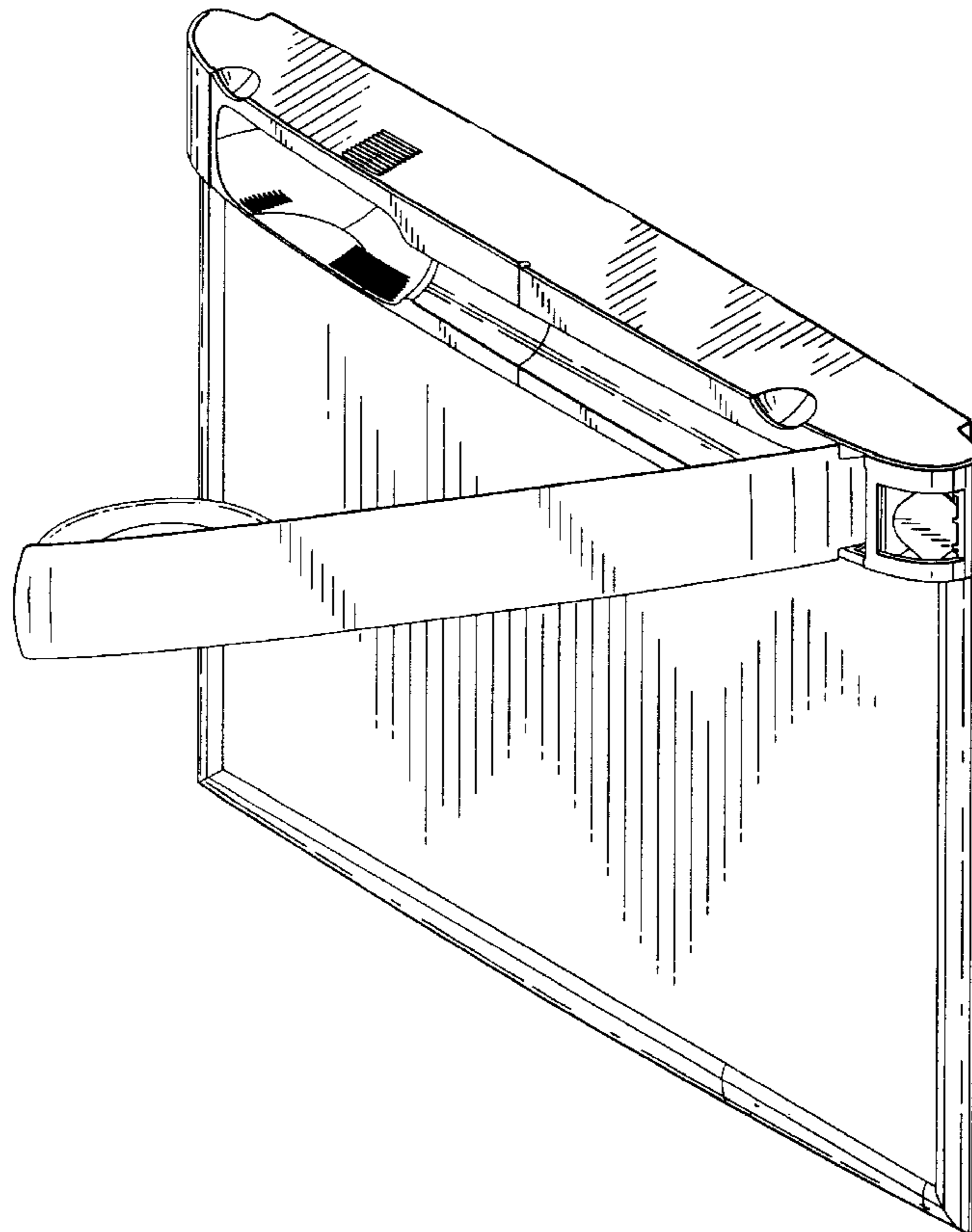
U.S. PATENT DOCUMENTS

- D. 155,849 * 11/1949 Trad D14/128
- D. 342,521 * 12/1993 Sugihara et al. D14/128
- D. 367,490 * 2/1996 Matsunaga et al. D16/241
- D. 430,189 8/2000 Rodriguez, Jr. D16/221

FIG. 7 is a back elevation view of the projection wall system illustrated in FIG. 1; and,

FIG. 8 is perspective view of the projection wall system illustrated in FIG. 1 in a deployed position.

1 Claim, 6 Drawing Sheets



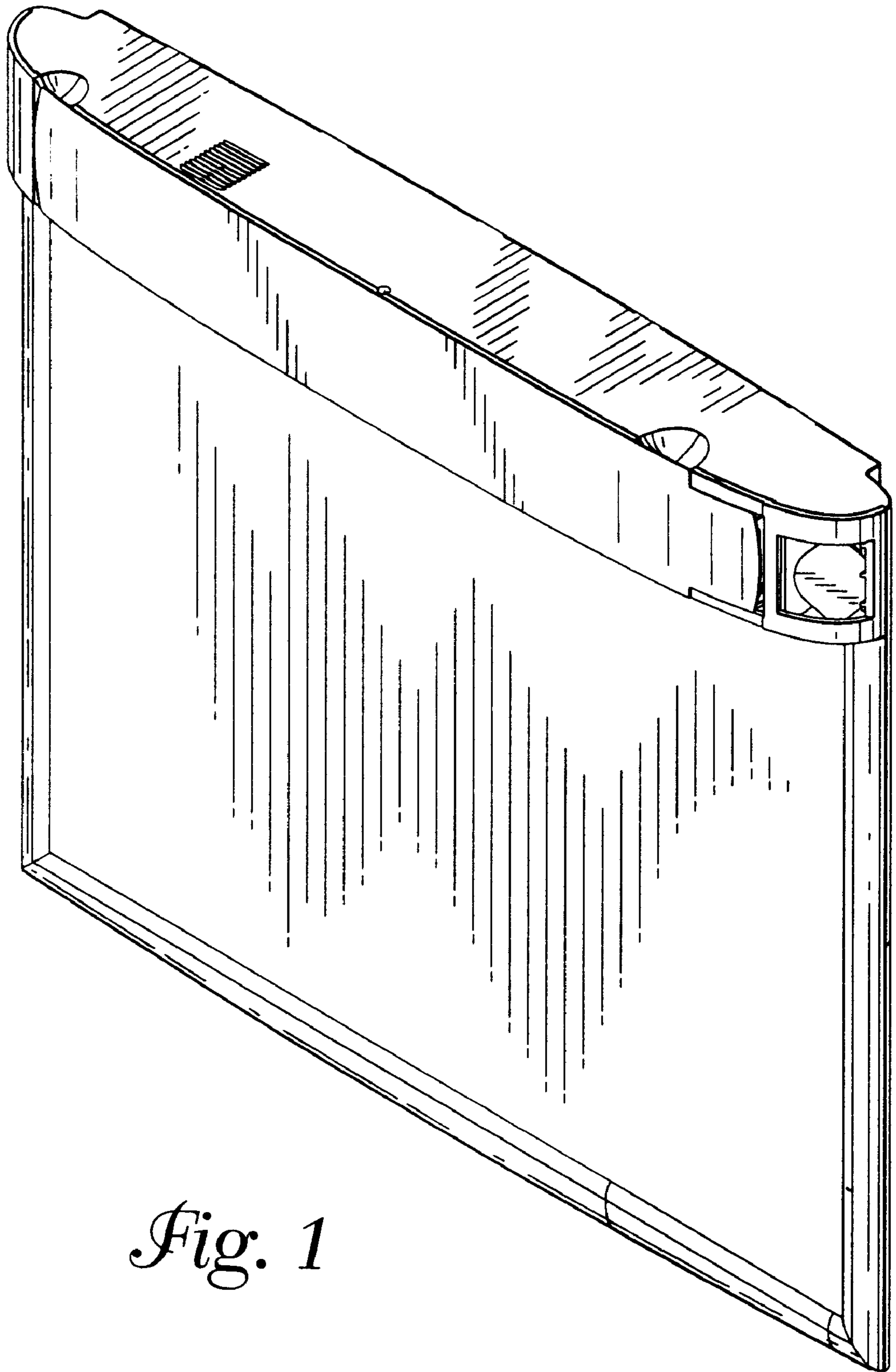


Fig. 1

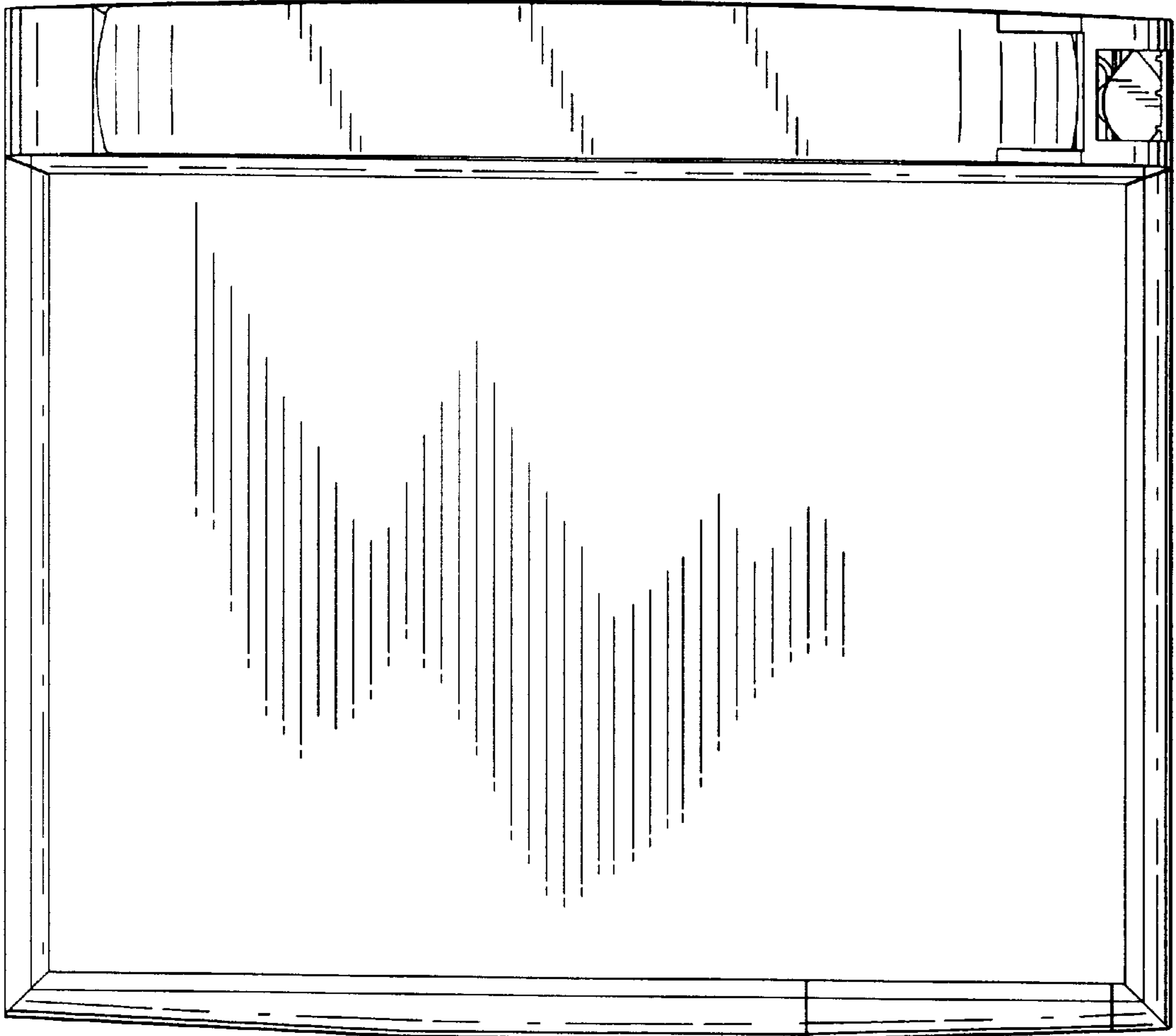


Fig. 2

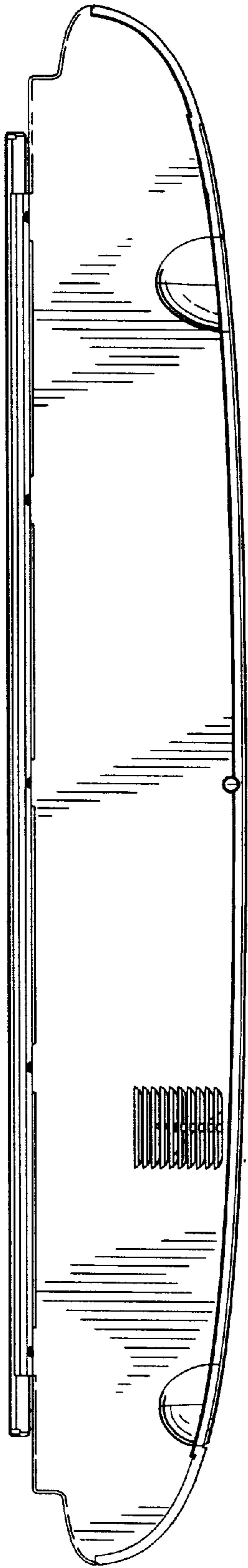


Fig. 3

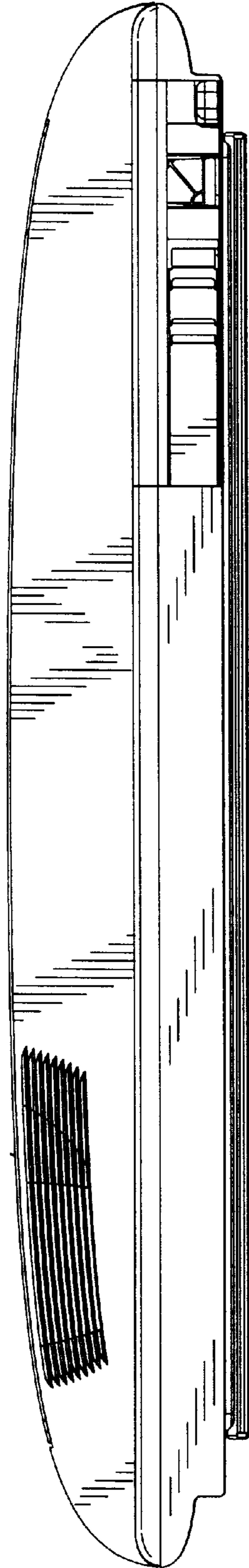


Fig. 4

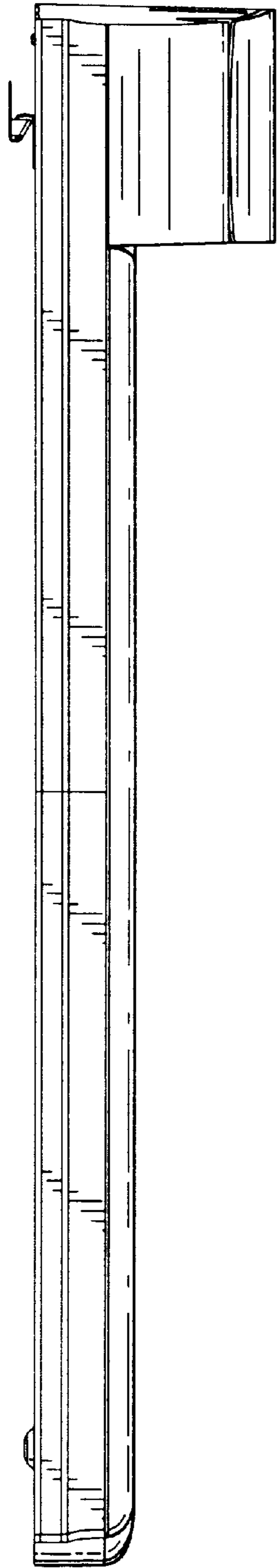


Fig. 5

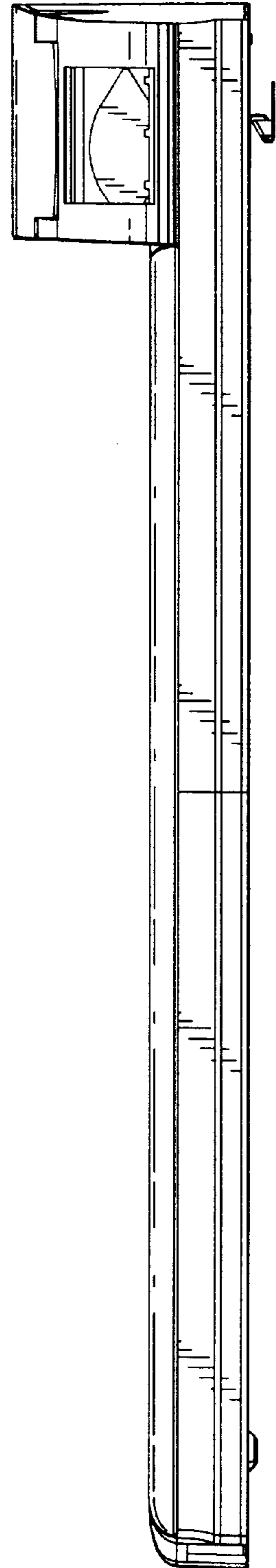


Fig. 6

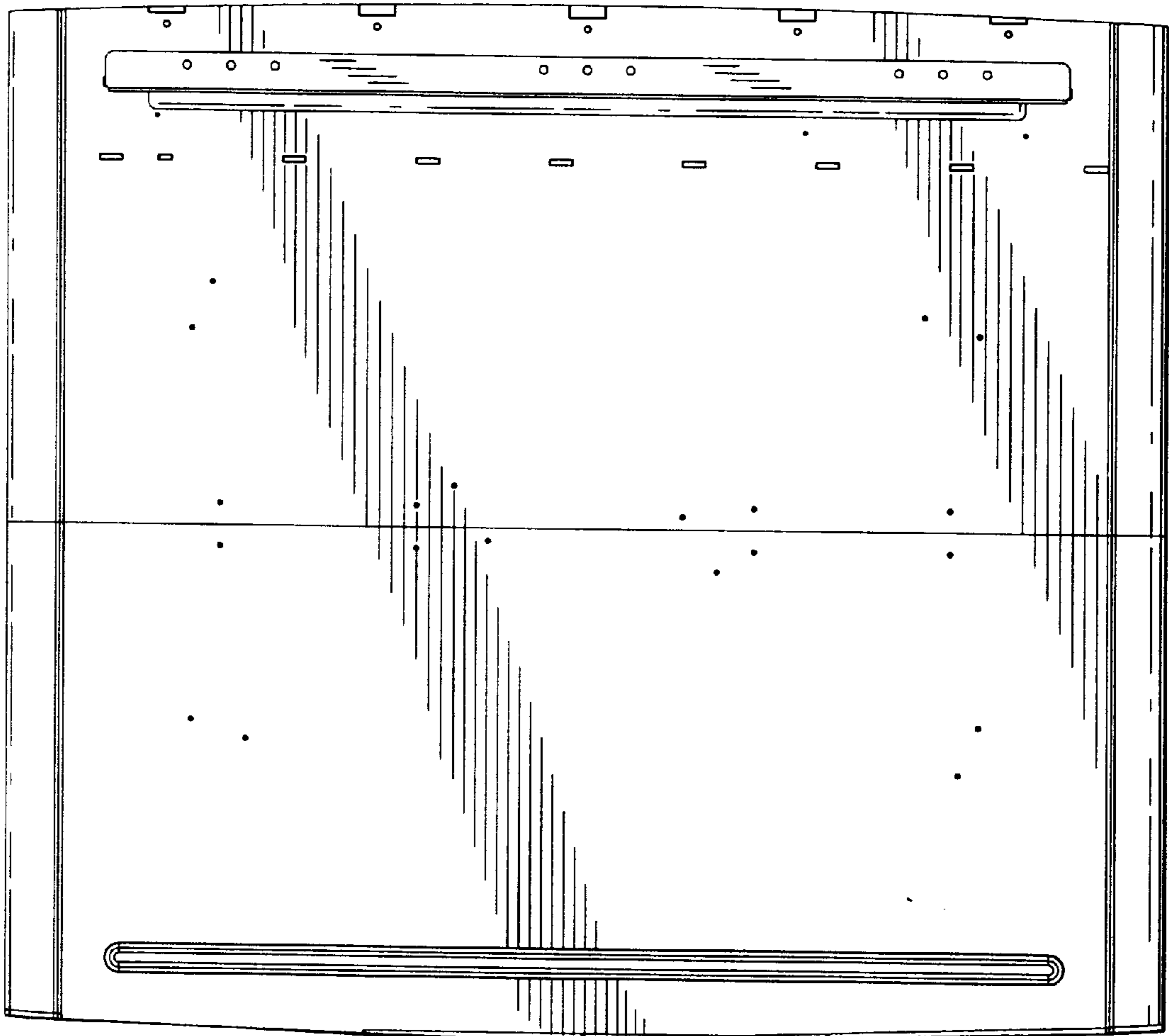


Fig. 7

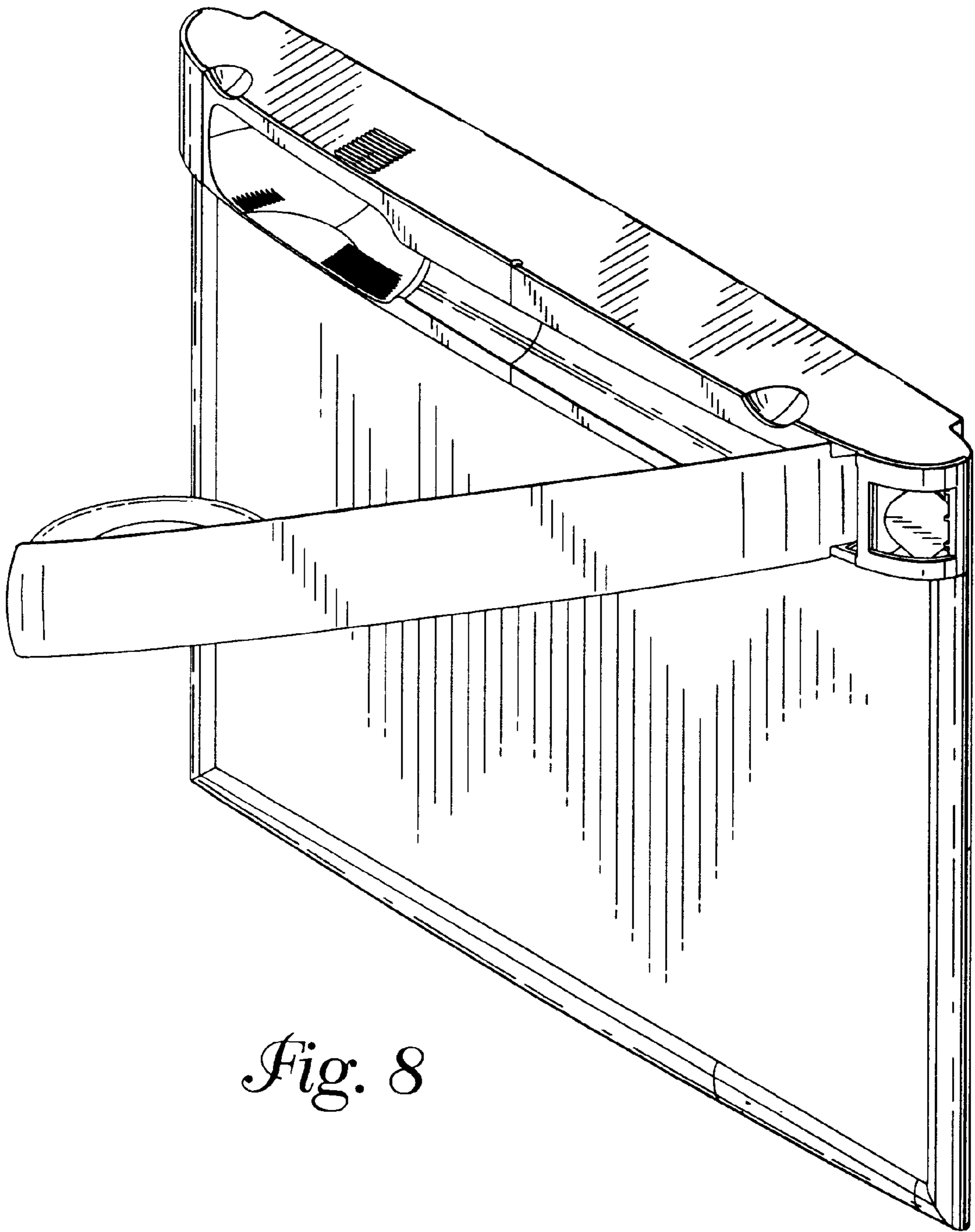


Fig. 8