



US00D442204S

(12) **United States Design Patent**
Chou et al.

(10) **Patent No.:** **US D442,204 S**

(45) **Date of Patent:** **** May 15, 2001**

(54) **CAMERA**

(75) Inventors: **Tai Wen Chou; Yu Chu Tang;**
Benjamin Lai, all of Taipei Hsien
(TW)

(73) Assignee: **Chicony Electronics Co., Ltd.**, Taipei
Hsien (TW)

(**) Term: **14 Years**

(21) Appl. No.: **29/131,242**

(22) Filed: **Oct. 18, 2000**

(51) **LOC (7) Cl.** **16-01**

(52) **U.S. Cl.** **D16/218**

(58) **Field of Search** D16/200-205,
D16/208, 209, 217, 218; 396/535-541

(56) **References Cited**

U.S. PATENT DOCUMENTS

D. 320,610 * 10/1991 Chan D16/209
D. 329,864 * 9/1992 Kawagoe D16/218

D. 364,635 * 11/1995 Chapman et al. D16/218
D. 430,184 * 8/2000 Tanaka D16/209
5,555,052 * 9/1996 Pearson 396/538

* cited by examiner

Primary Examiner—Adir Aronovich

(74) *Attorney, Agent, or Firm*—Rosenberg, Klein & Lee

(57) **CLAIM**

The ornamental design for a camera, as shown and described.

DESCRIPTION

FIG. 1 is the perspective view of a camera showing us new design;

FIG. 2 is the front view thereof;

FIG. 3 is the rear view thereof;

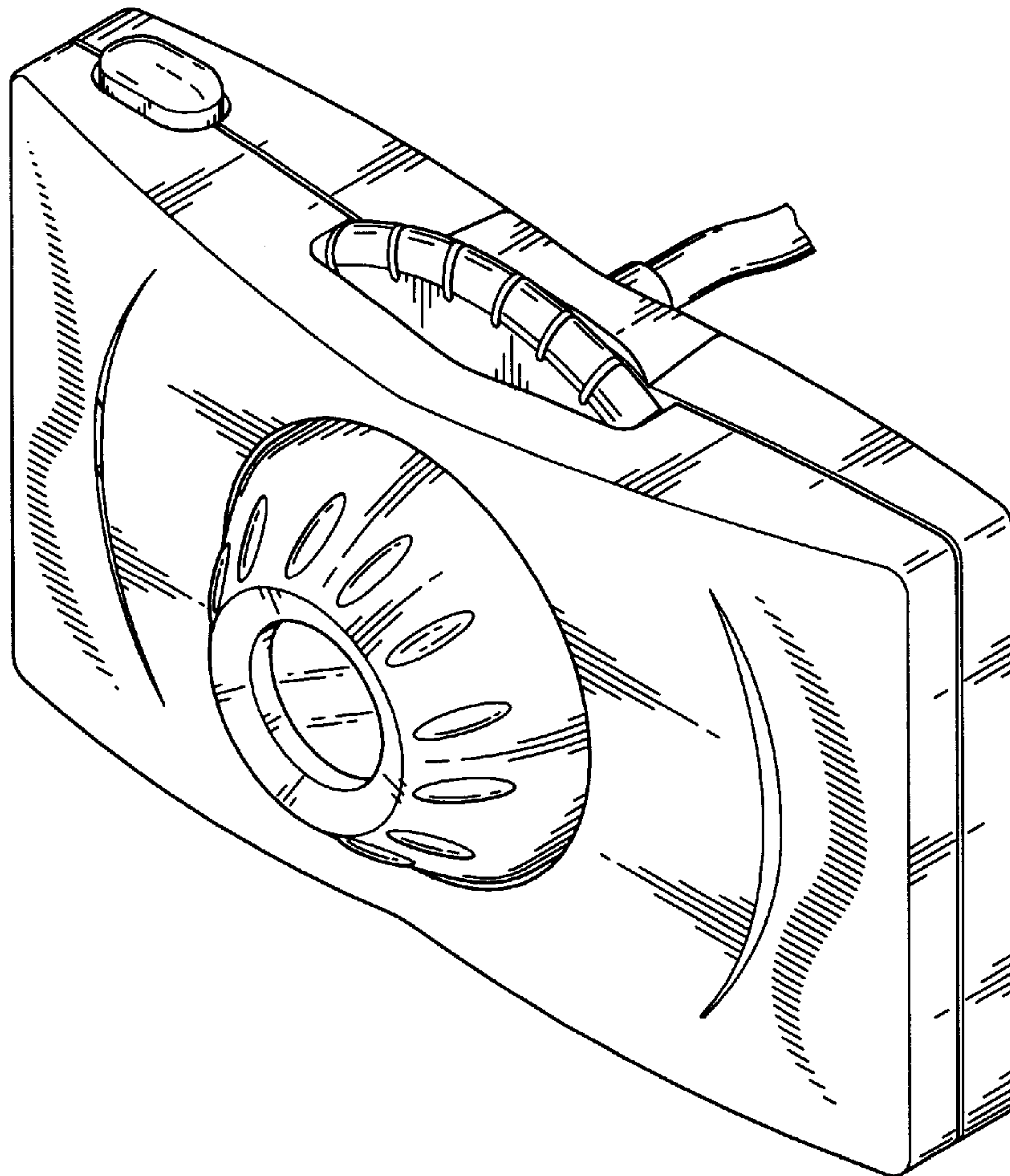
FIG. 4 is the left side view thereof;

FIG. 5 is the right side view thereof;

FIG. 6 is the top view thereof; and,

FIG. 7 is the bottom view thereof.

1 Claim, 4 Drawing Sheets



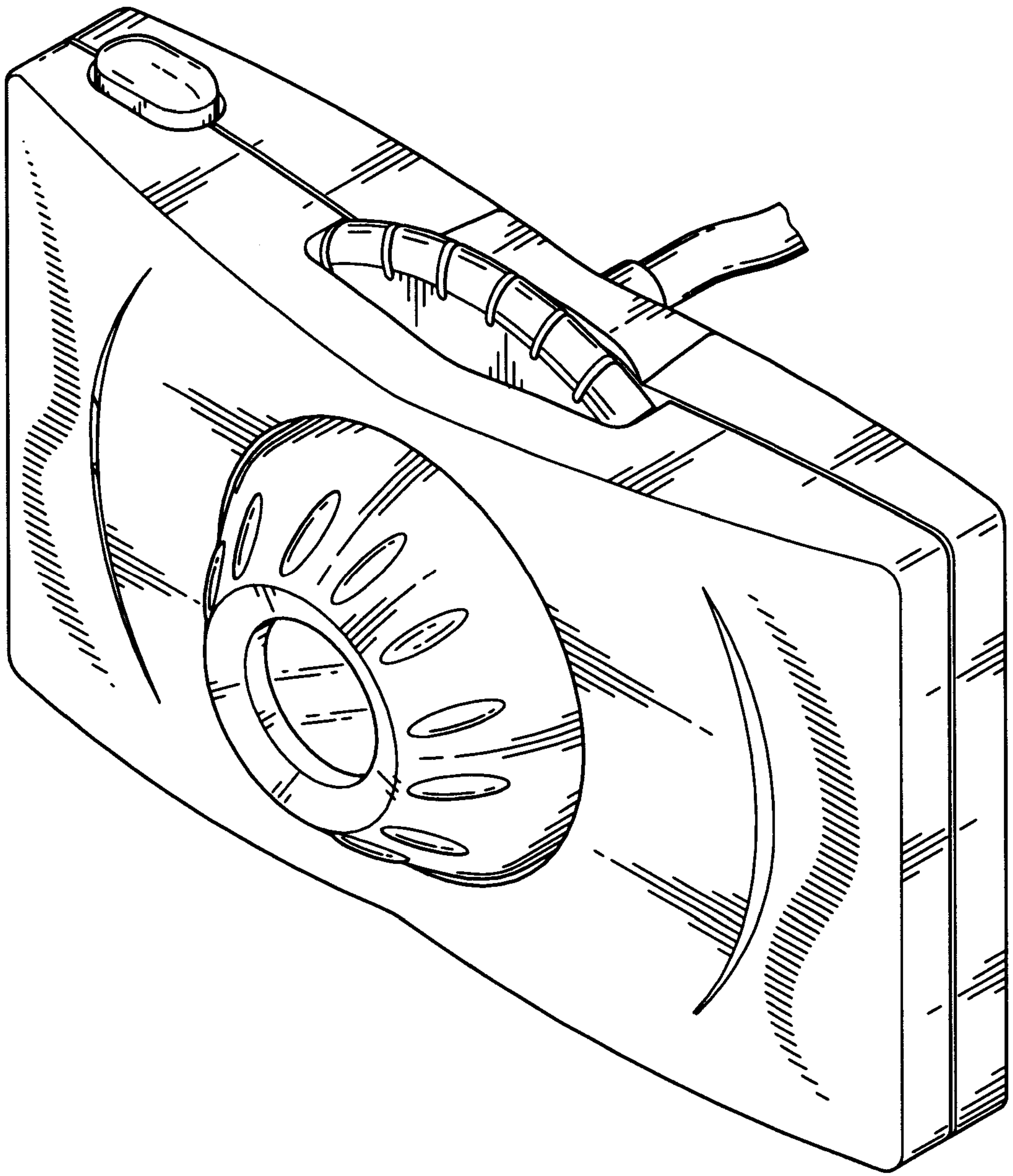


FIG. 1

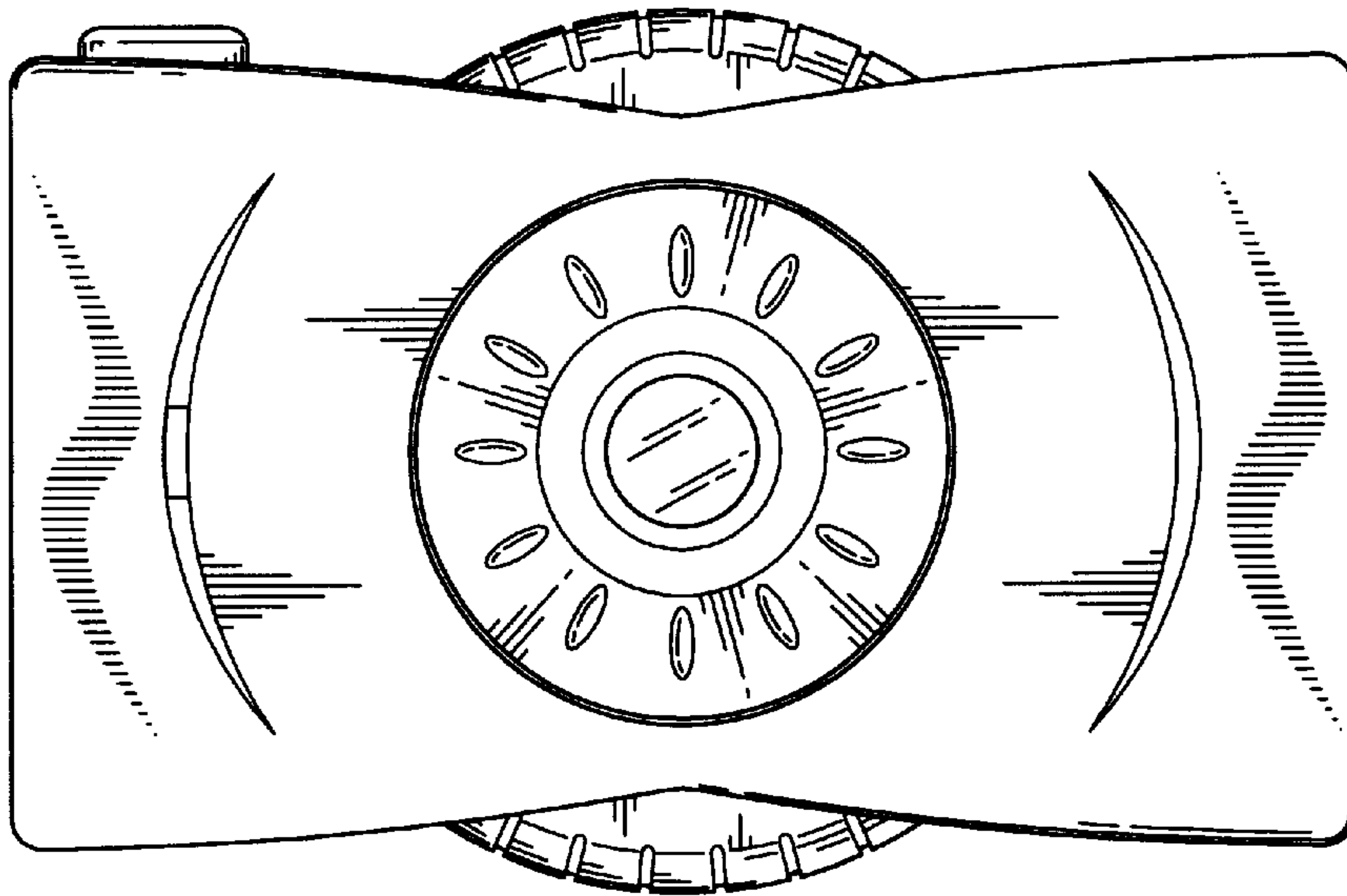


FIG. 2

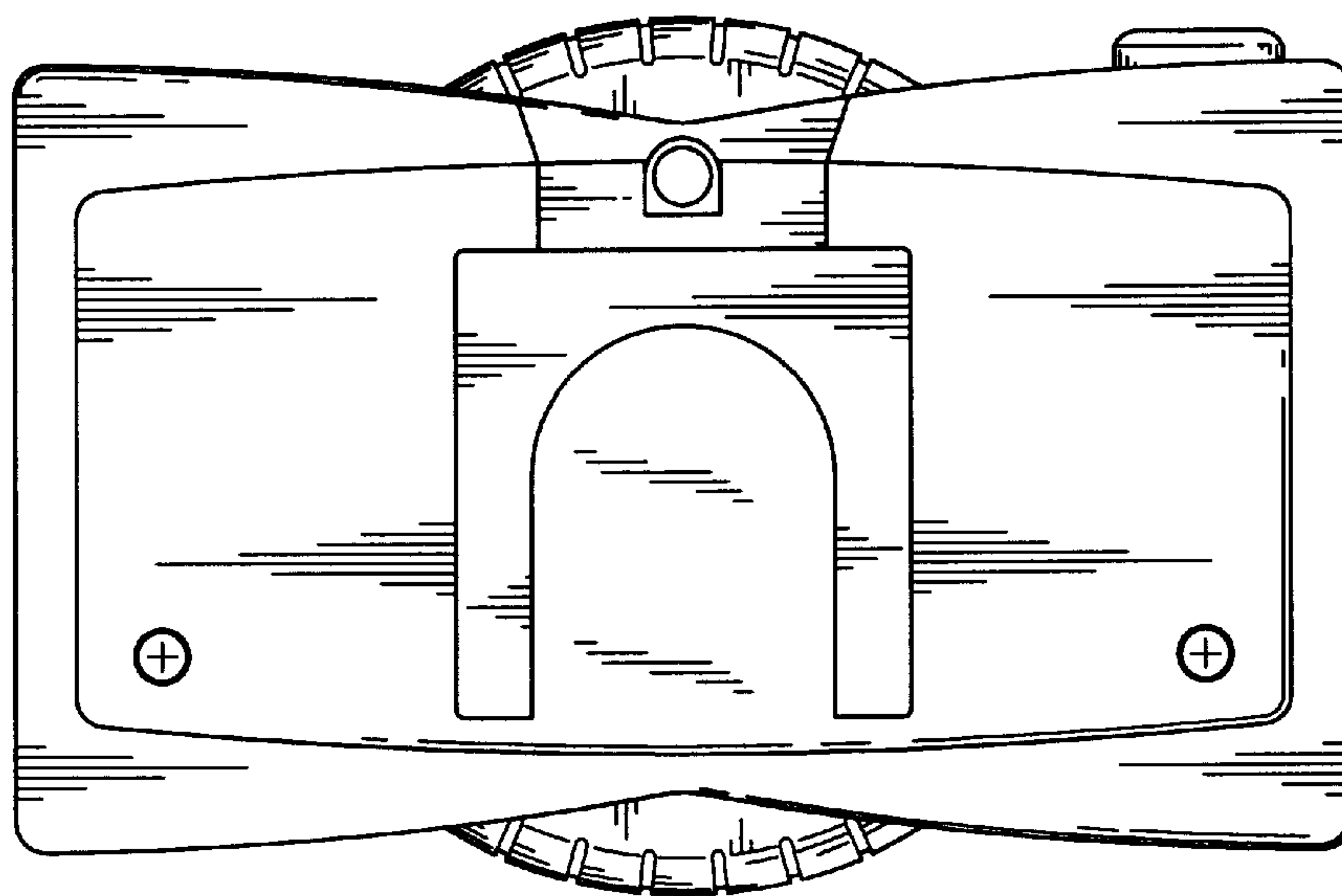


FIG. 3

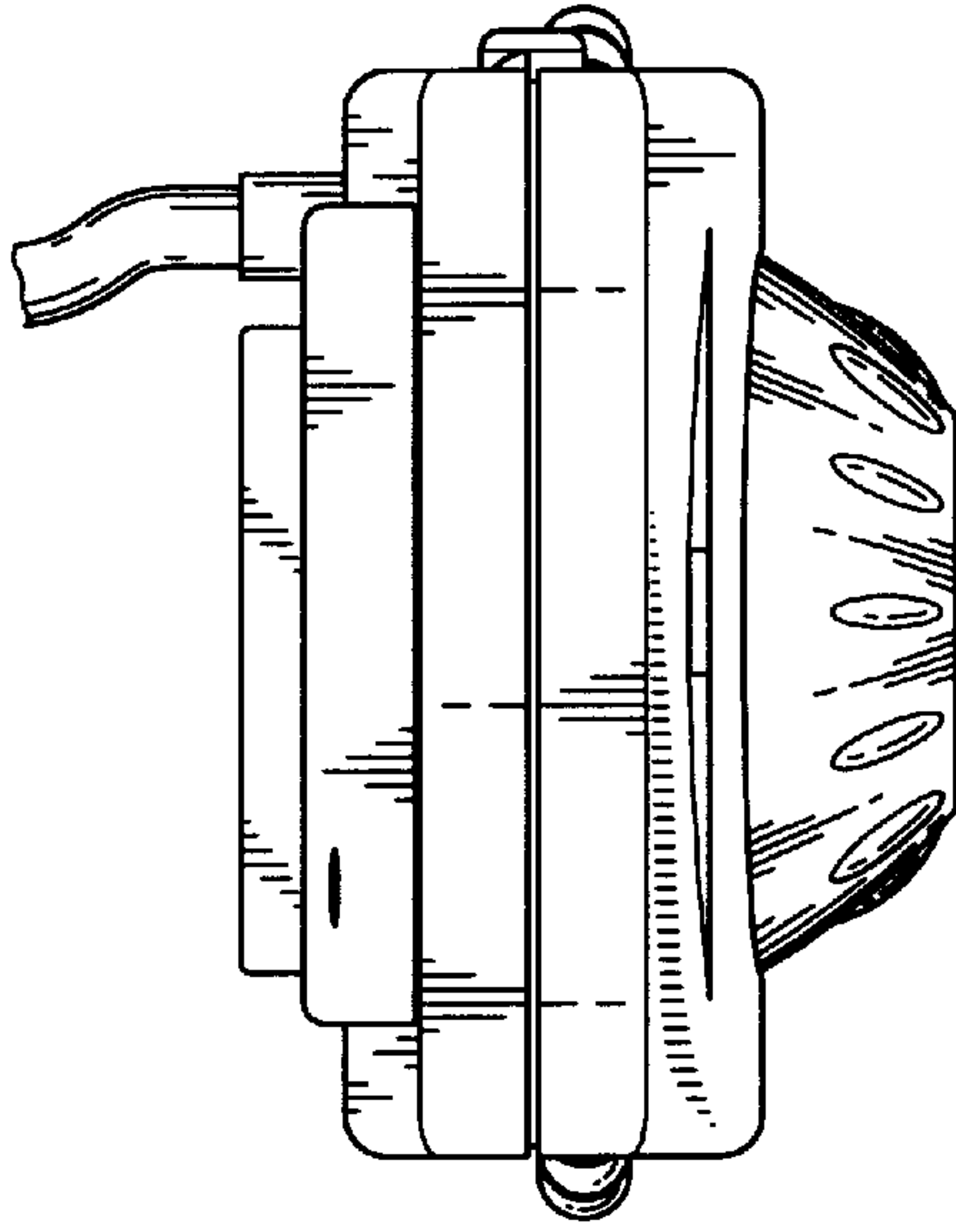


FIG. 4

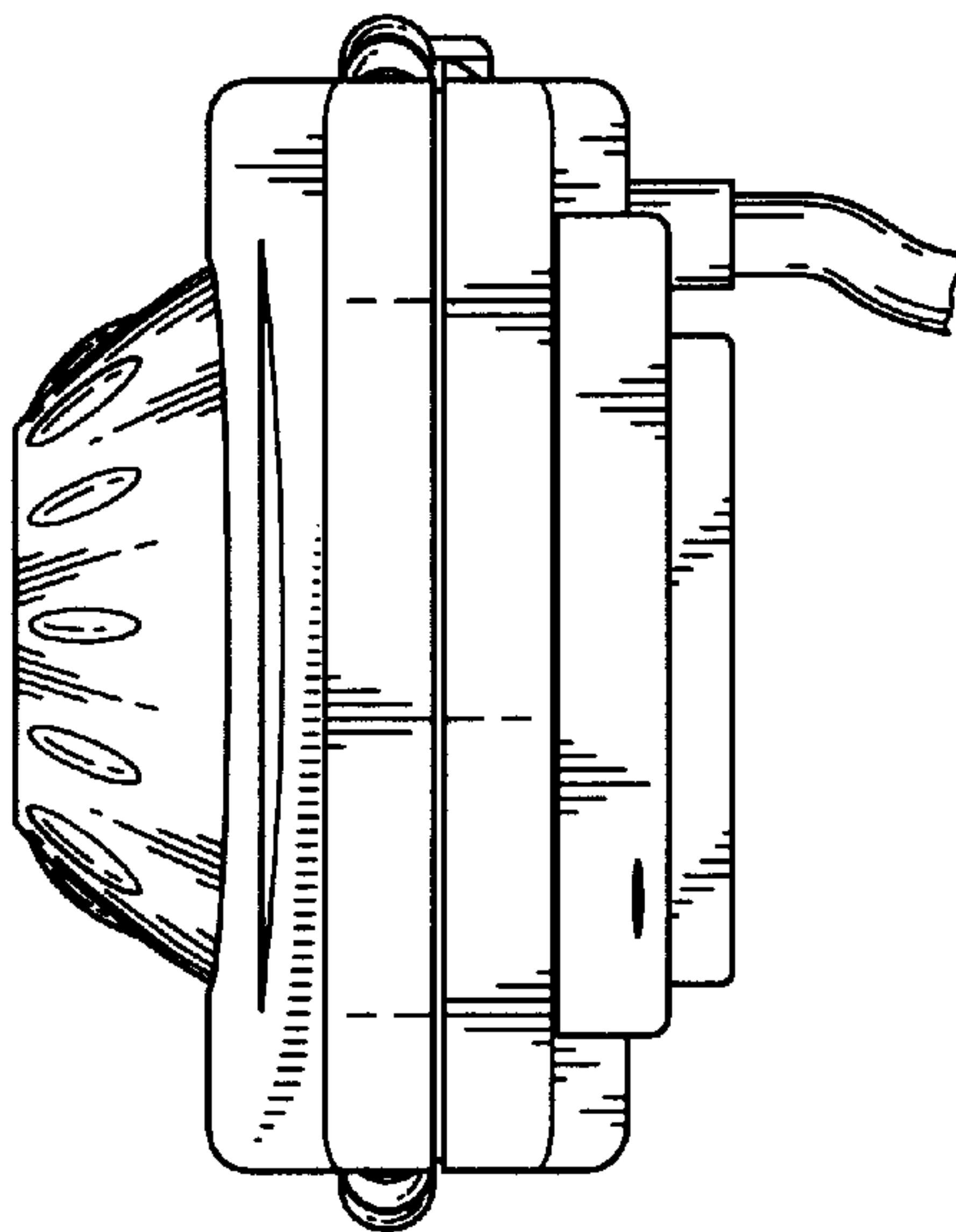


FIG. 5

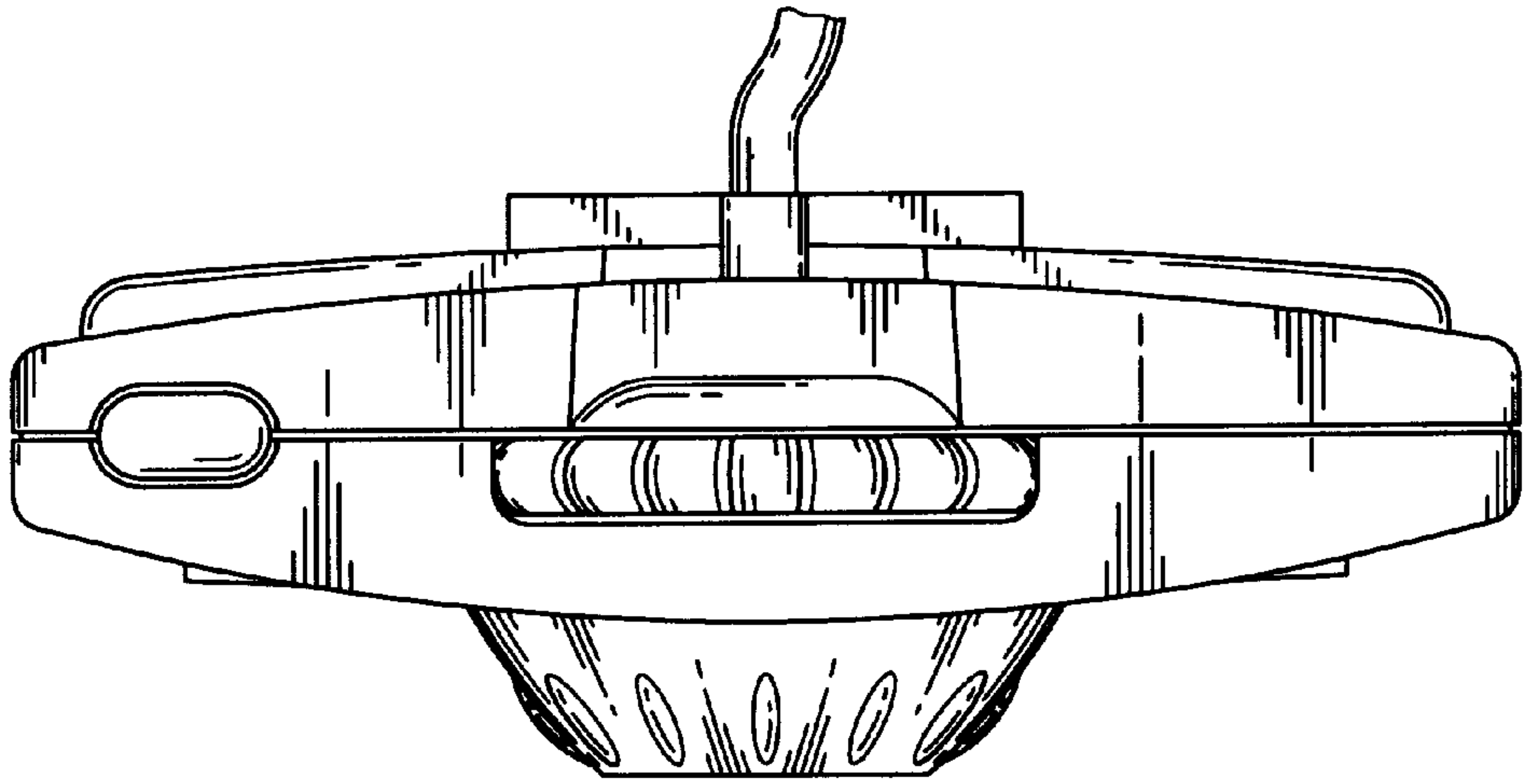


FIG. 6

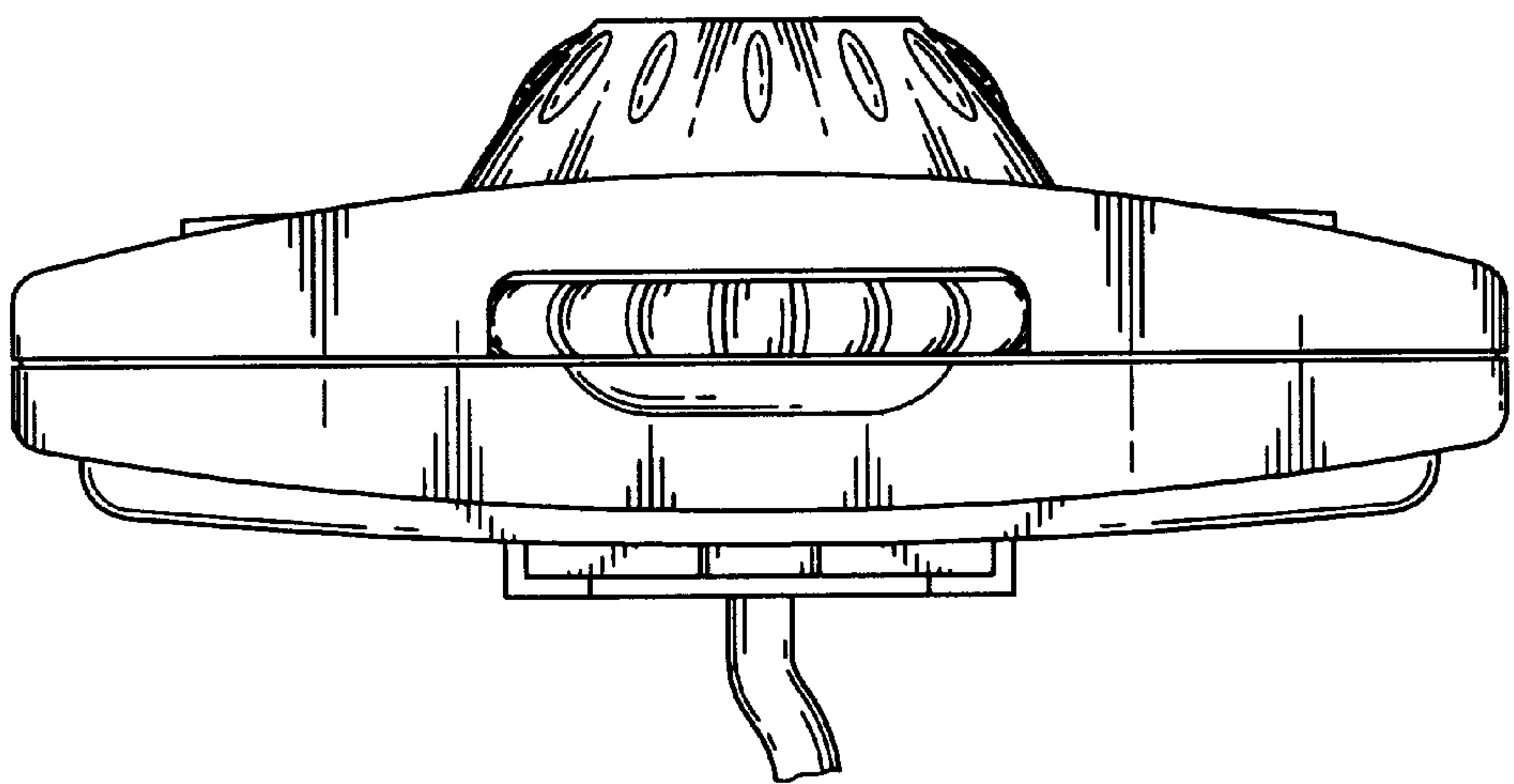


FIG. 7