



US00D442199S

(12) **United States Design Patent**
Cheng

(10) **Patent No.:** **US D442,199 S**

(45) **Date of Patent:** **** May 15, 2001**

(54) **LAMINATING MACHINE**

D. 358,827 * 5/1995 Fung D15/146
6,131,636 * 10/2000 Anderson et al. 156/555

(75) Inventor: **James Cheng**, Chia Yi Hsien (TW)

* cited by examiner

(73) Assignee: **Homedal Industrial Corporation**, Chia Yi Hsien (TW)

Primary Examiner—Antoine Duval Davis
(74) *Attorney, Agent, or Firm*—Larson & Taylor, PLC

(**) Term: **14 Years**

(57) **CLAIM**

(21) Appl. No.: **29/122,673**

The ornamental design for a laminating machine, as shown.

(22) Filed: **May 2, 2000**

DESCRIPTION

(51) **LOC (7) Cl.** **15-09**

(52) **U.S. Cl.** **D15/146**

(58) **Field of Search** D15/145, 146;
156/497, 583.1–583.91, 555, 580, 582;
100/155 R, 160, 175

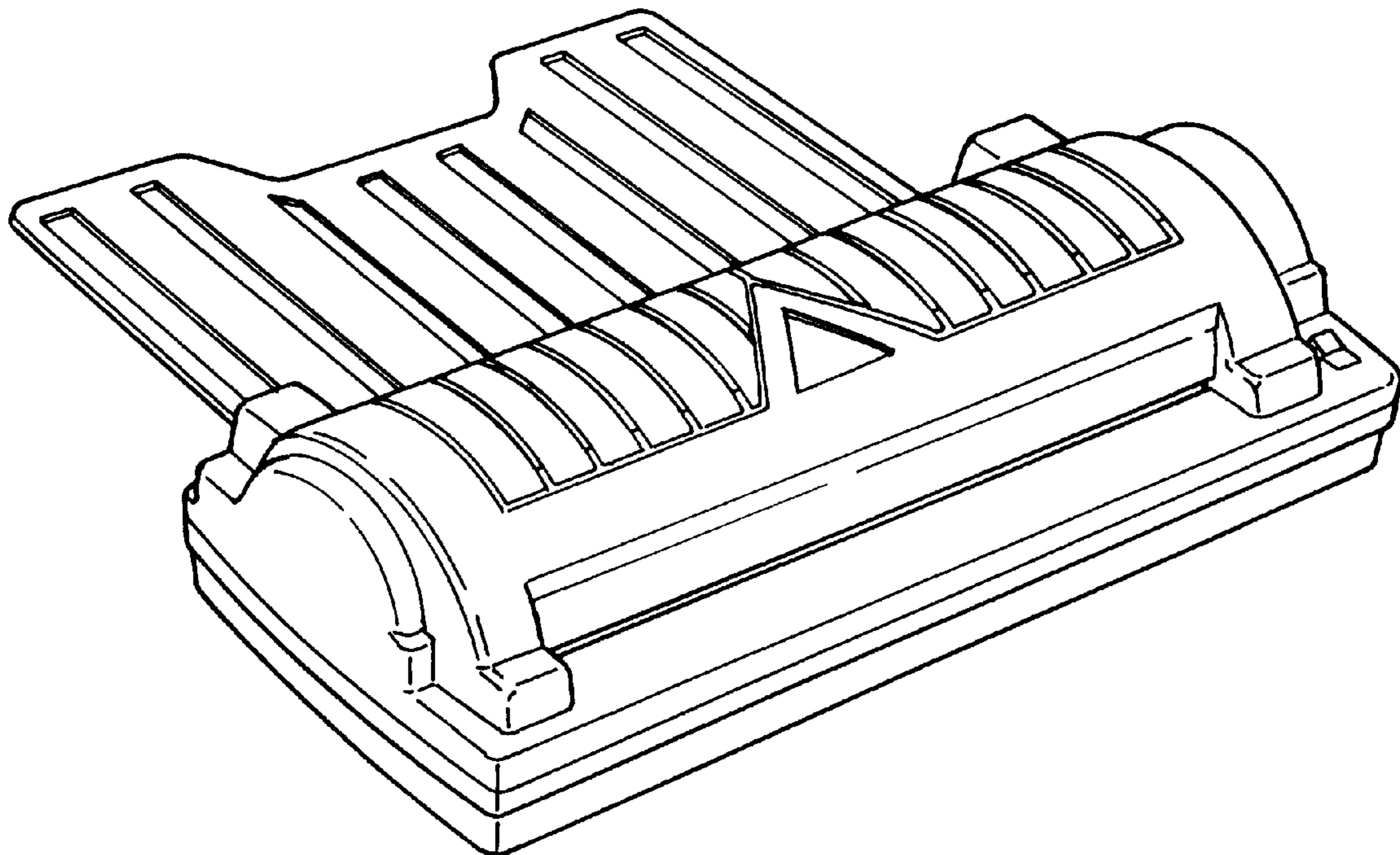
FIG. 1 is a perspective view of the laminating machine showing my new design;
FIG. 2 is a right side elevational view thereof;
FIG. 3 is a top plan view thereof;
FIG. 4 is a front elevational view thereof;
FIG. 5 is a bottom plan view thereof;
FIG. 6 is a left side elevational view thereof; and,
FIG. 7 is a rear elevational view thereof.

(56) **References Cited**

U.S. PATENT DOCUMENTS

D. 342,532 * 12/1993 Denl D15/146

1 Claim, 4 Drawing Sheets



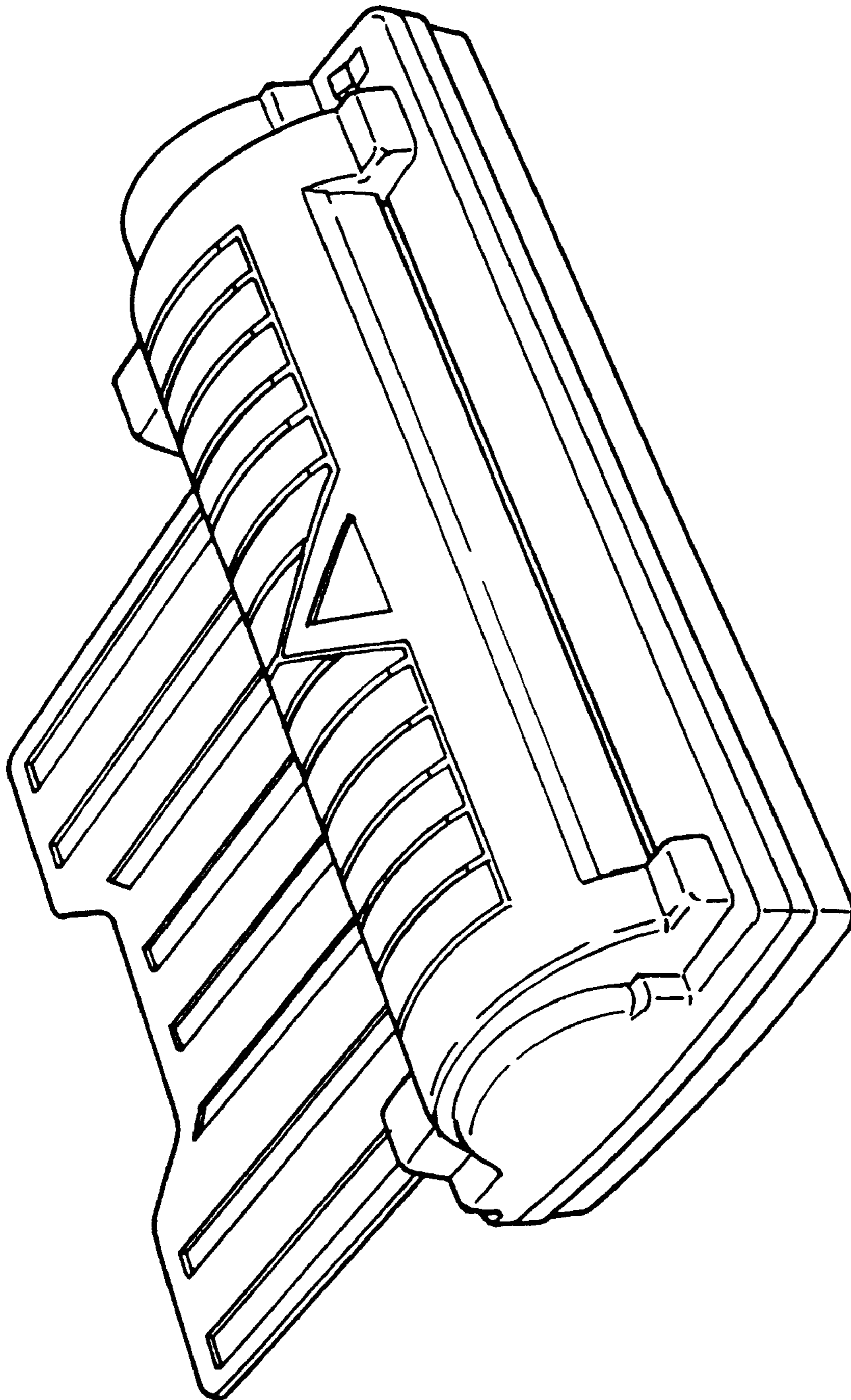


FIG. 1

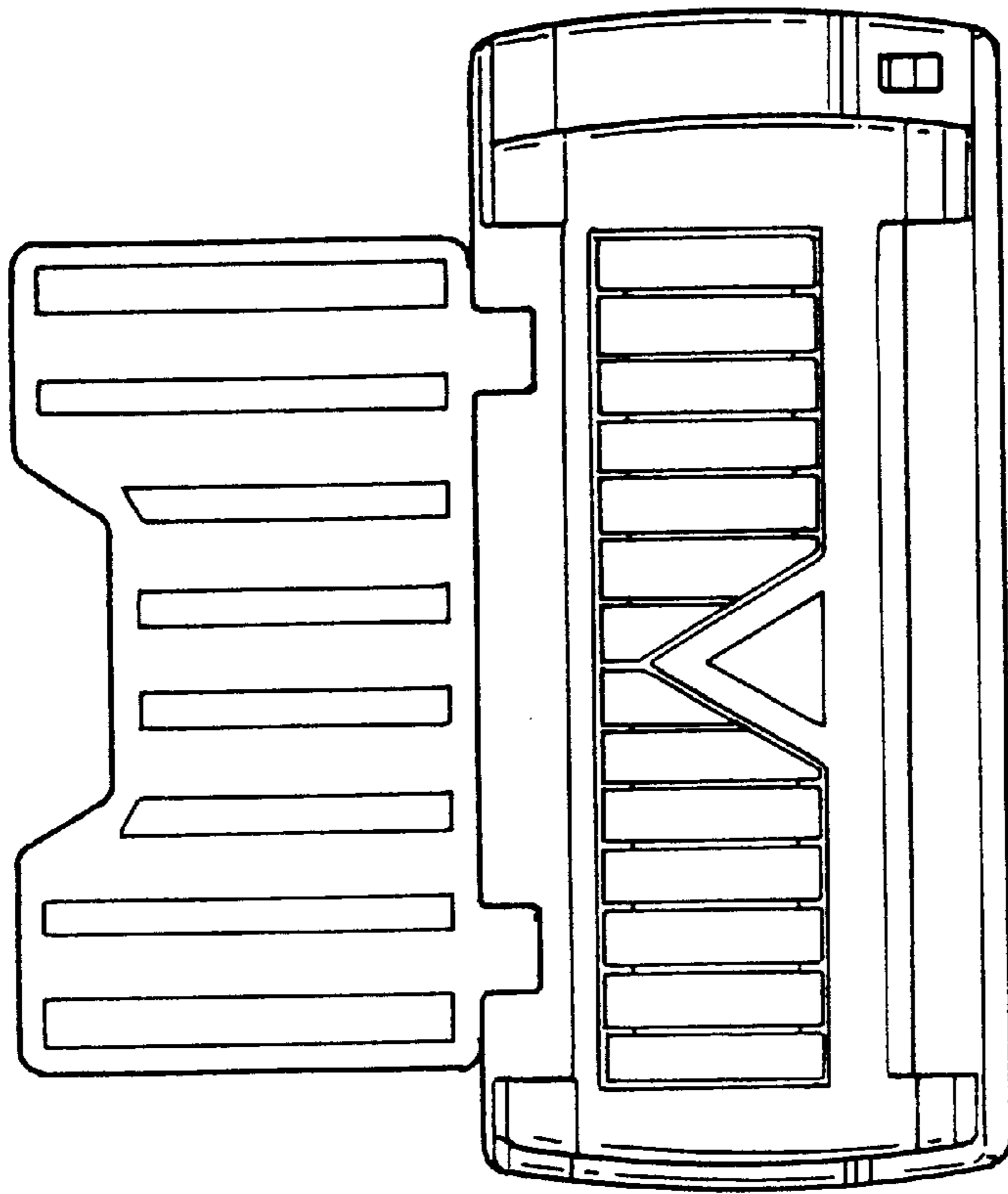


FIG.3

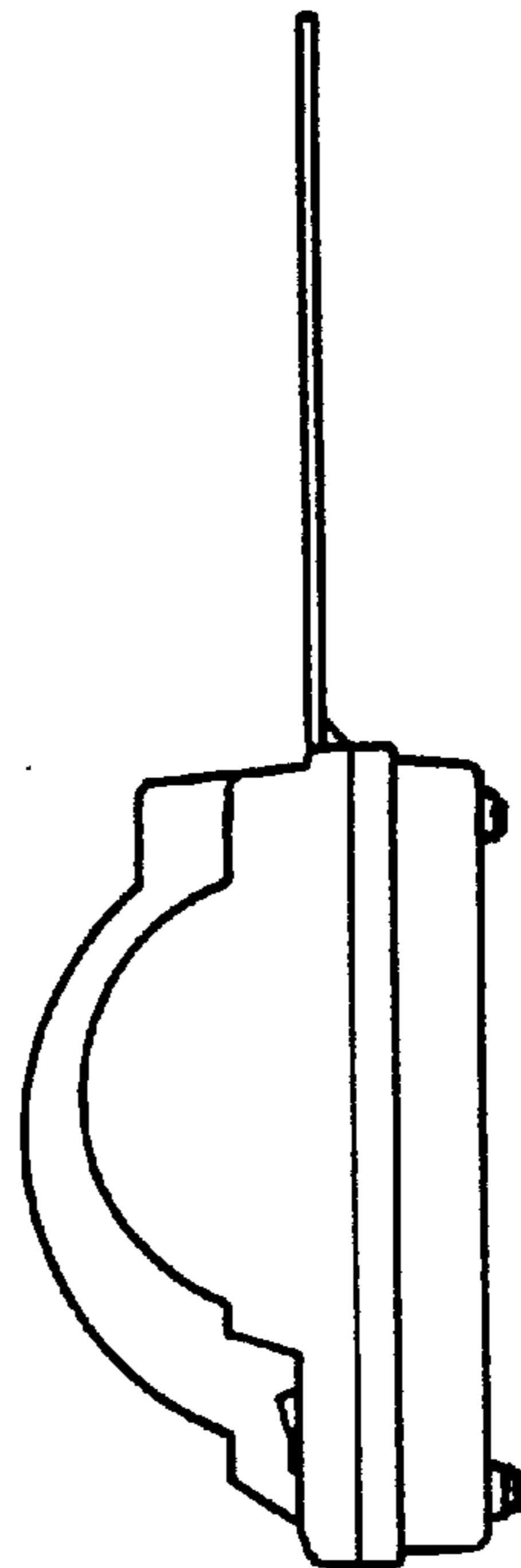


FIG.2

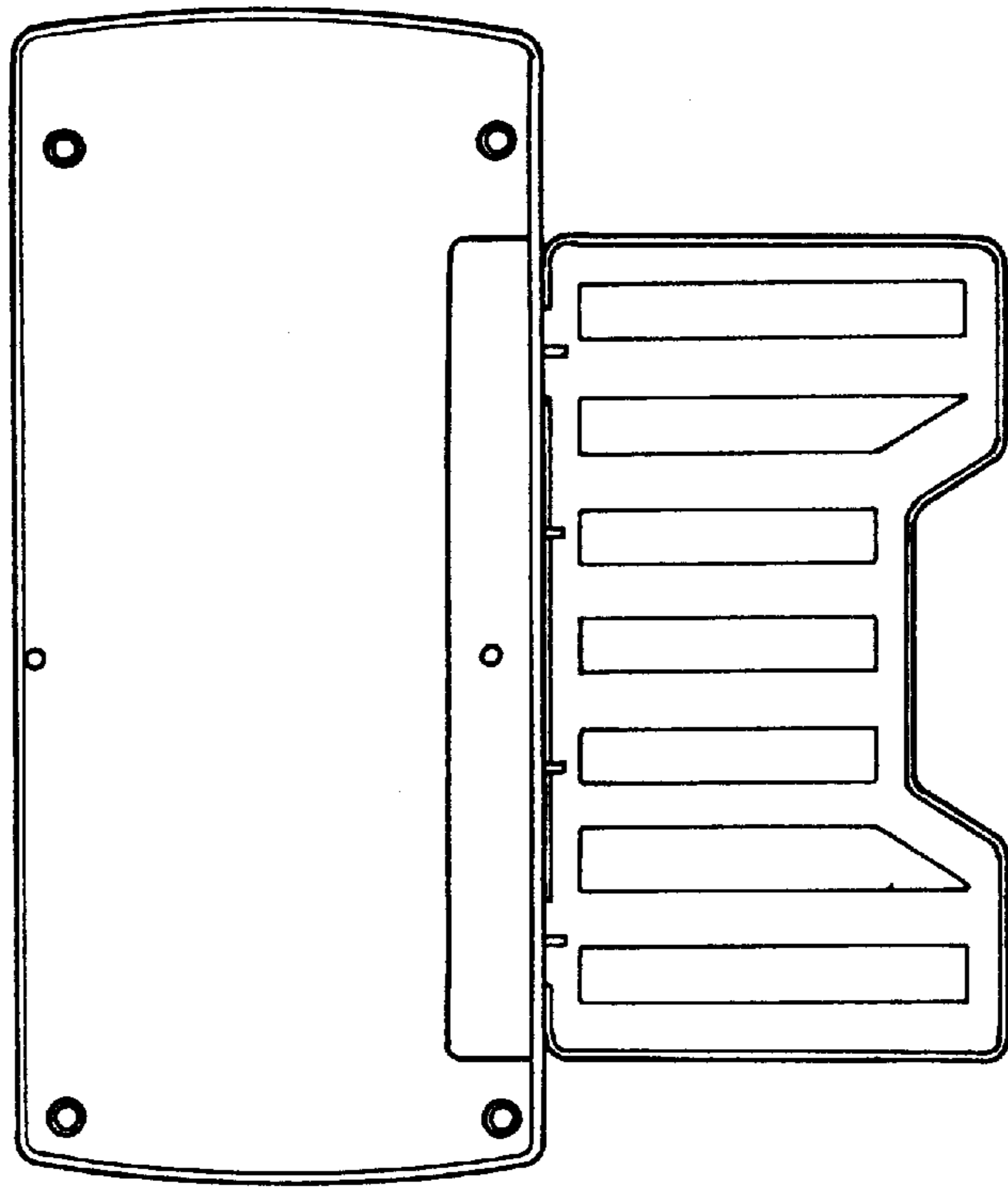


FIG. 5

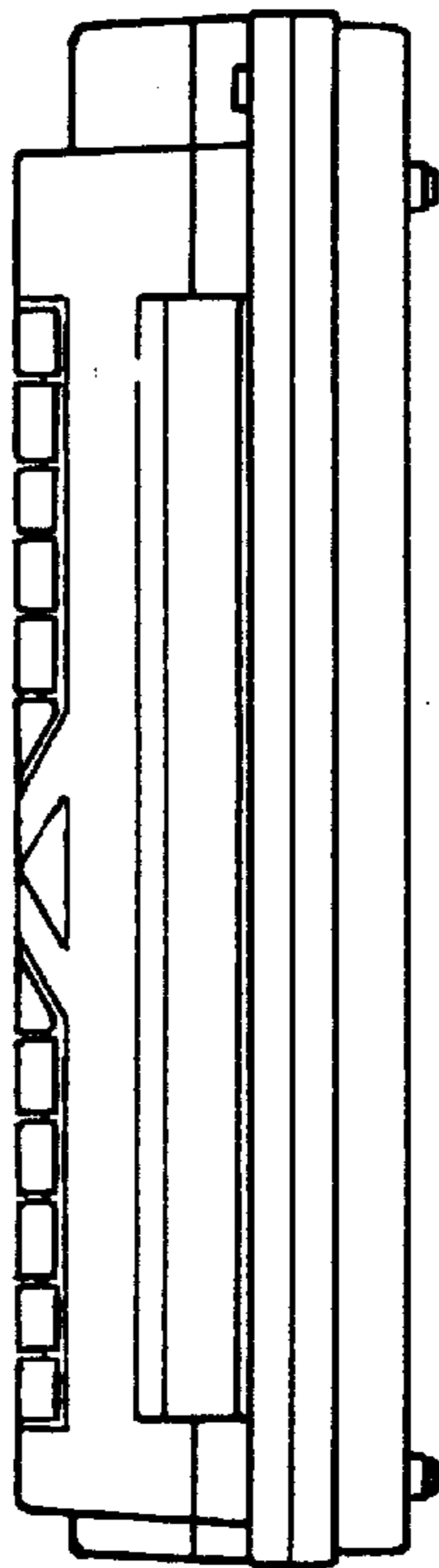


FIG. 4

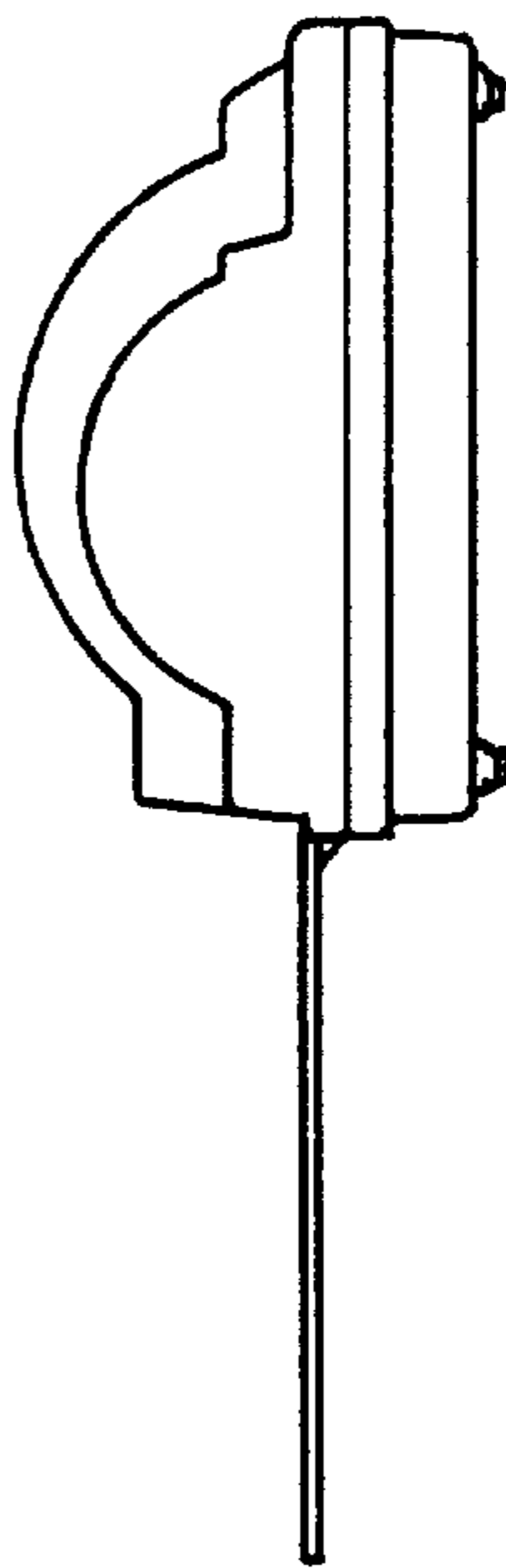


FIG. 6

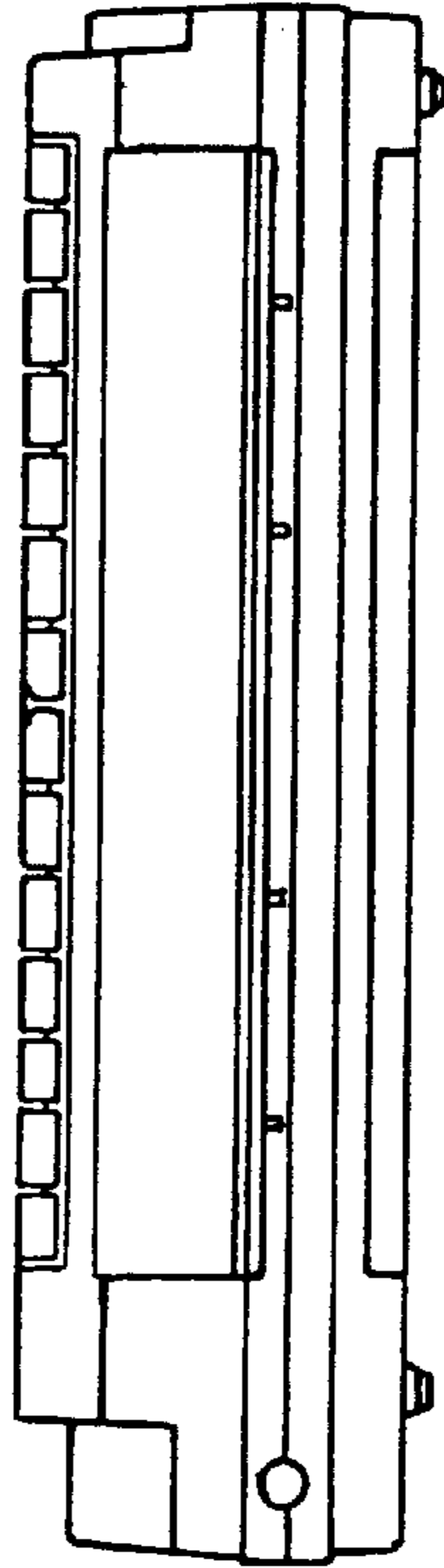


FIG. 7