



US00D442198S

(12) **United States Design Patent**  
**Yamashita**

(10) **Patent No.:** **US D442,198 S**

(45) **Date of Patent:** **\*\* May 15, 2001**

(54) **HEAT SEALER**

5,996,320 \* 12/1999 Todd et al. .... 53/526

(75) Inventor: **Katsutoshi Yamashita**, Toyonaka (JP)

\* cited by examiner

(73) Assignee: **Fuji Impulse Co., Ltd.**, Osaka (JP)

*Primary Examiner*—Antoine Duval Davis

(\*\*) Term: **14 Years**

(74) *Attorney, Agent, or Firm*—Muramatsu & Associates

(21) Appl. No.: **29/114,174**

(57) **CLAIM**

(22) Filed: **Nov. 18, 1999**

The ornamental design for a heat sealer, as shown and described.

(30) **Foreign Application Priority Data**

**DESCRIPTION**

May 19, 1999 (JP) ..... 11-13121

(51) **LOC (7) Cl.** ..... **15-09**

(52) **U.S. Cl.** ..... **D15/145**

(58) **Field of Search** ..... D15/145, 146;  
53/373.2-373.8, 405, 432, 433, 434, 570-572,  
258, 260, 284.7, 529, 526, 579

FIG. 1 is a front view of a heat sealer of my new design.

FIG. 2 is a rear view thereof.

FIG. 3 is a top view thereof.

FIG. 4 is a bottom view thereof.

FIG. 5 is a left side view thereof; and,

FIG. 6 is a right side view thereof.

(56) **References Cited**

**U.S. PATENT DOCUMENTS**

D. 350,550 \* 9/1994 Maruyama ..... D15/146

**1 Claim, 3 Drawing Sheets**

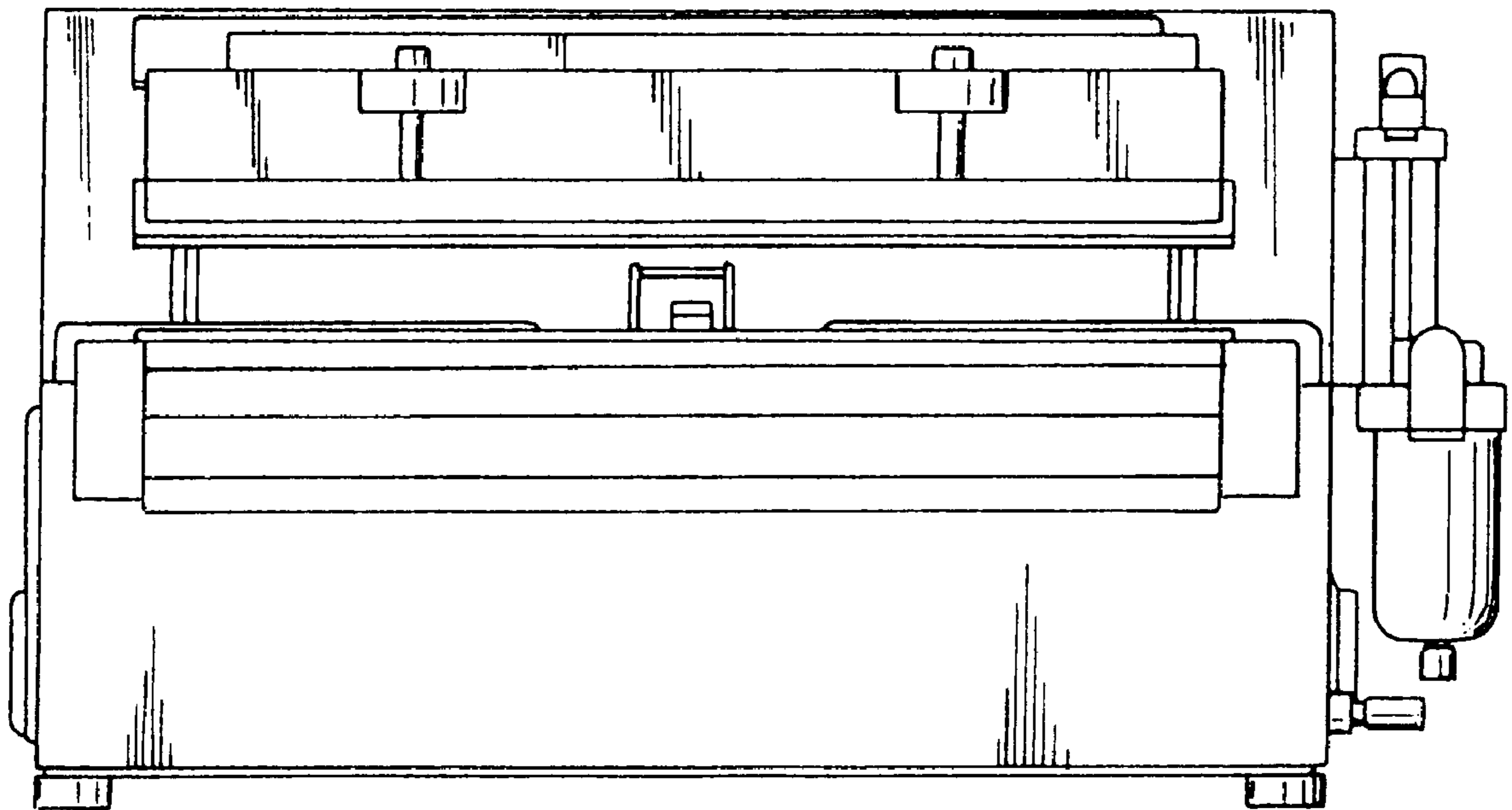


FIG.1

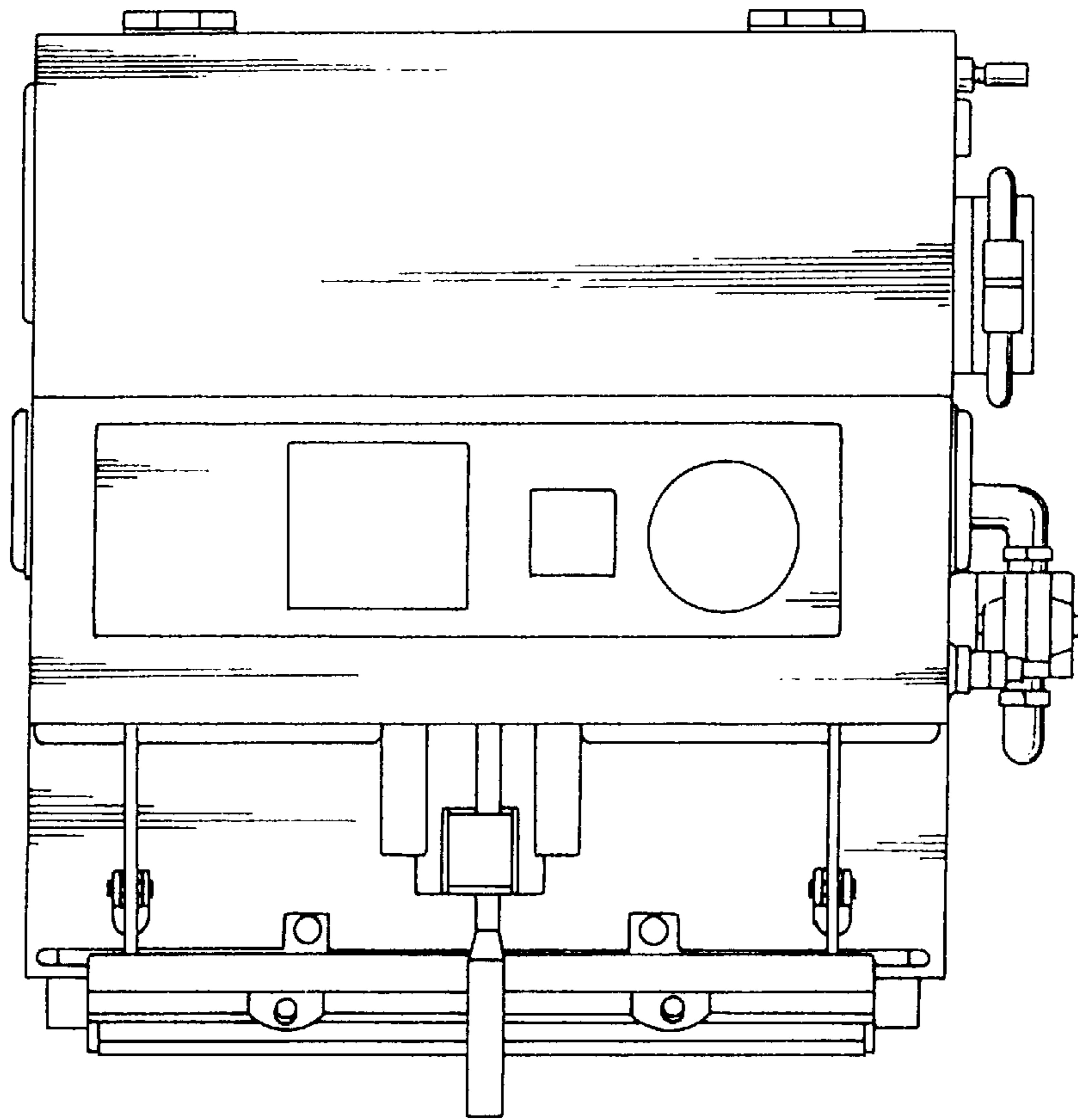


FIG.2

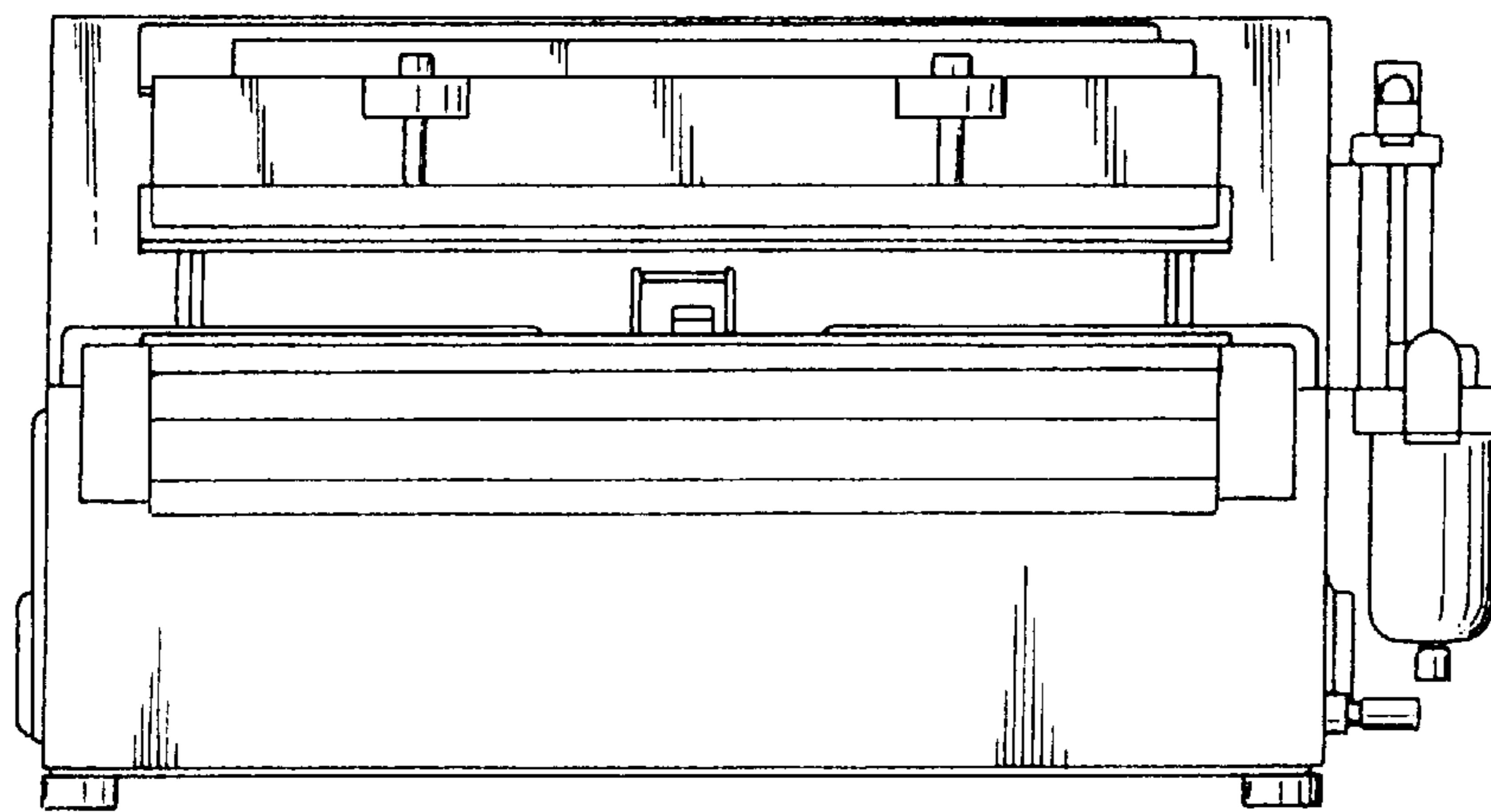


FIG. 3

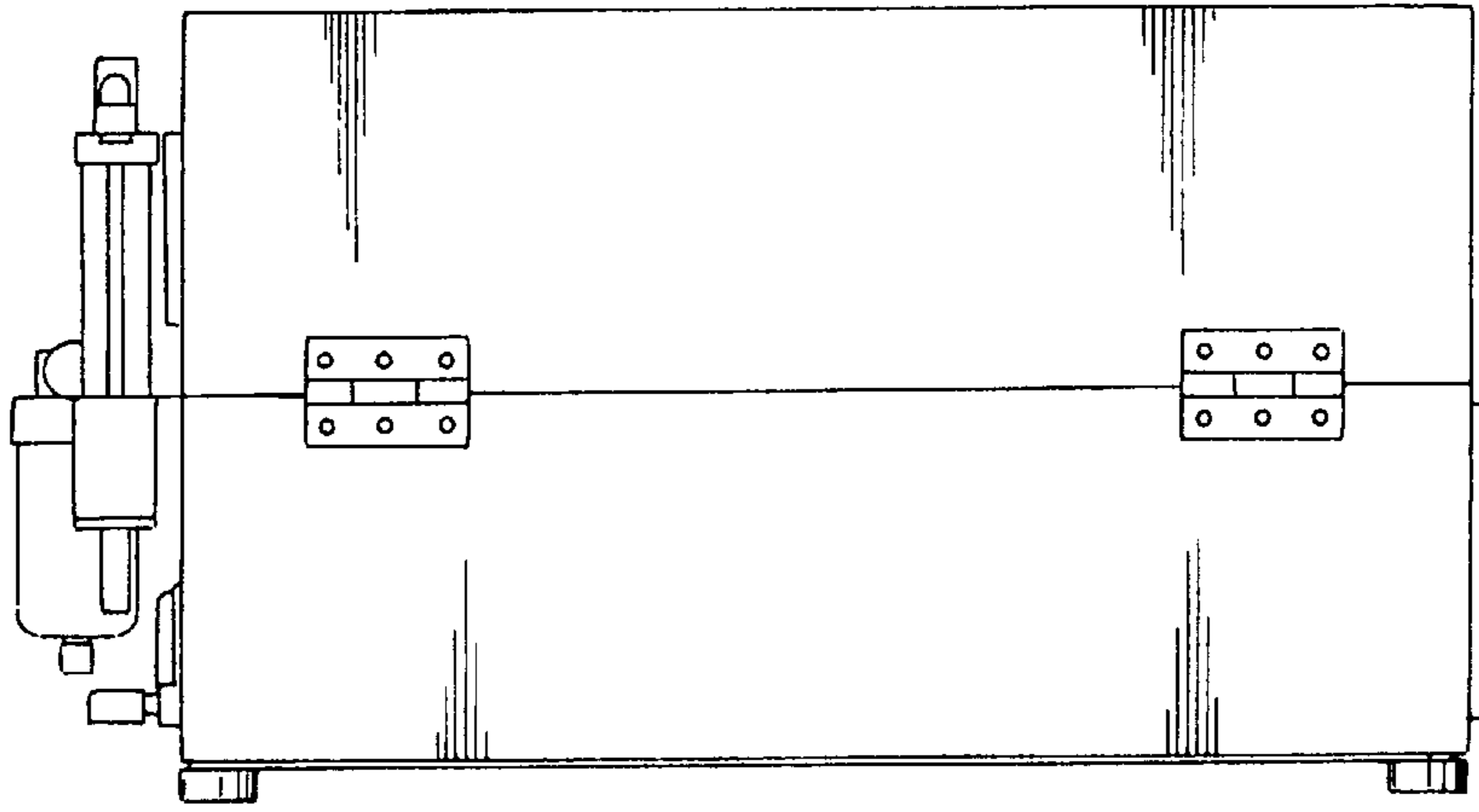


FIG. 4

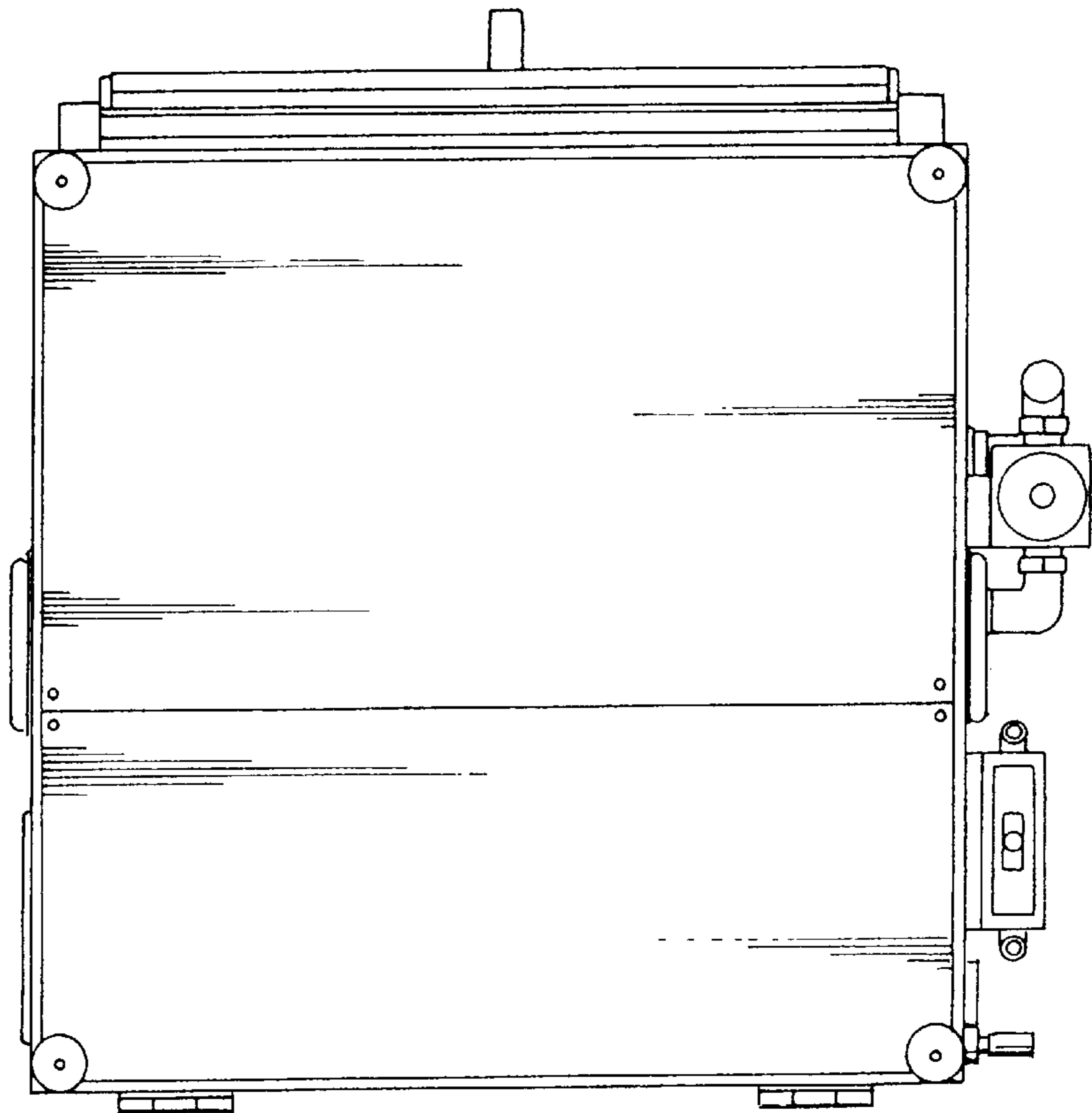


FIG. 5

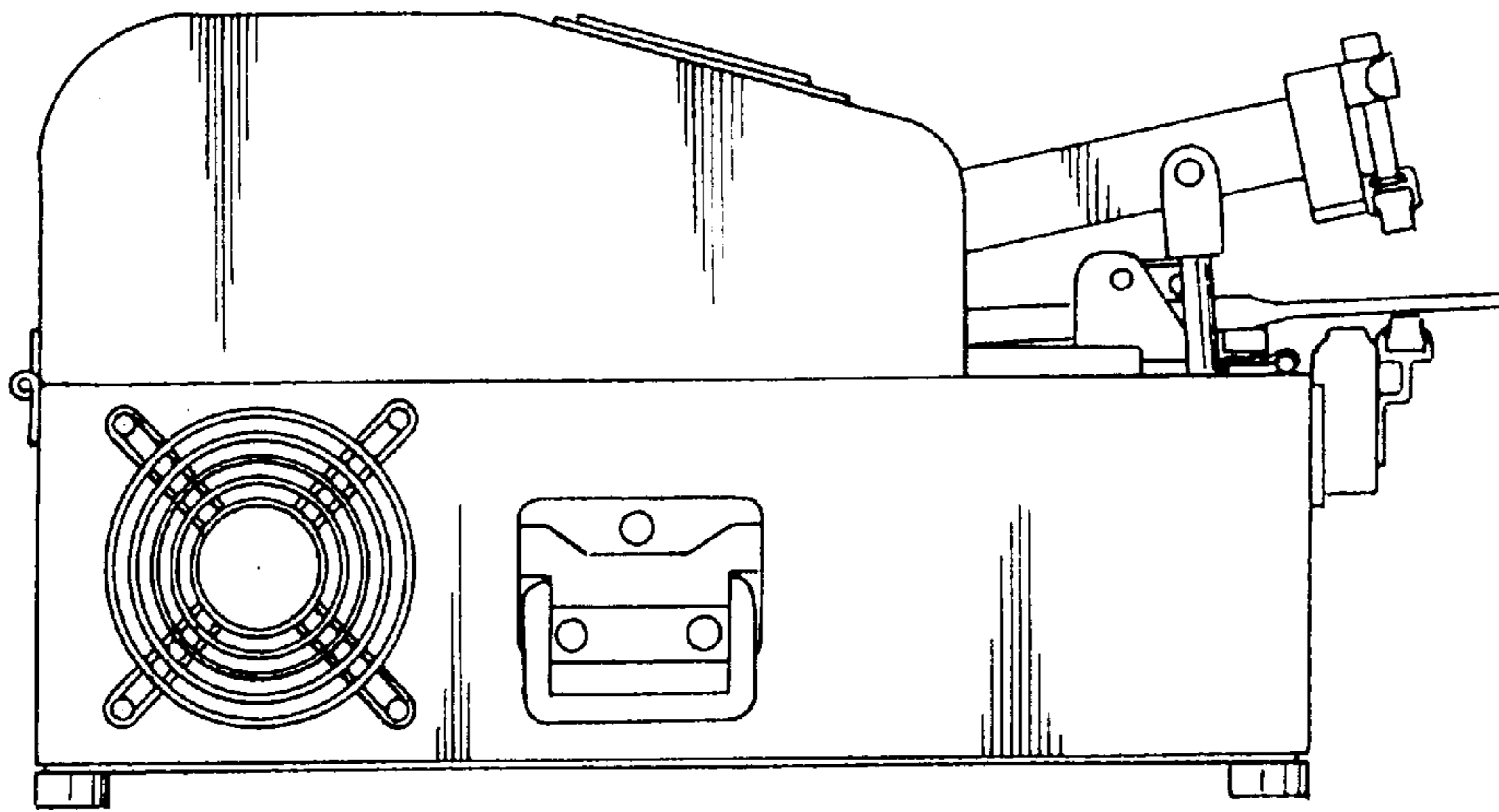


FIG. 6

