



US00D442197S

(12) **United States Design Patent**
Willet

(10) **Patent No.:** **US D442,197 S**

(45) **Date of Patent:** **** May 15, 2001**

(54) **BEARING PLATE**

(75) Inventor: **Scott Willet**, Andover, MN (US)

(73) Assignee: **Industrial Door Co., Inc.**, Minneapolis, MN (US)

(**) Term: **14 Years**

(21) Appl. No.: **29/128,903**

(22) Filed: **Sep. 5, 2000**

(51) **LOC (7) Cl.** **15-09**

(52) **U.S. Cl.** **D15/143; D8/354**

(58) **Field of Search** **D8/354; D15/143; 384/537, 428, 412, 152**

5,174,539	12/1992	Leonard .	
5,240,216	8/1993	Lin et al. .	
5,392,562	2/1995	Carambula .	
5,547,288 *	8/1996	Quinn et al.	384/152
5,636,678	6/1997	Carper et al. .	
5,678,932 *	10/1997	Cohn	384/537
5,810,303	9/1998	Bourassa et al. .	
5,992,497	11/1999	Jachnen et al. .	
6,045,268 *	4/2000	Long et al.	384/537

* cited by examiner

Primary Examiner—Antoine Duval Davis

(57) **CLAIM**

The ornamental design for a bearing plate, as shown and described.

DESCRIPTION

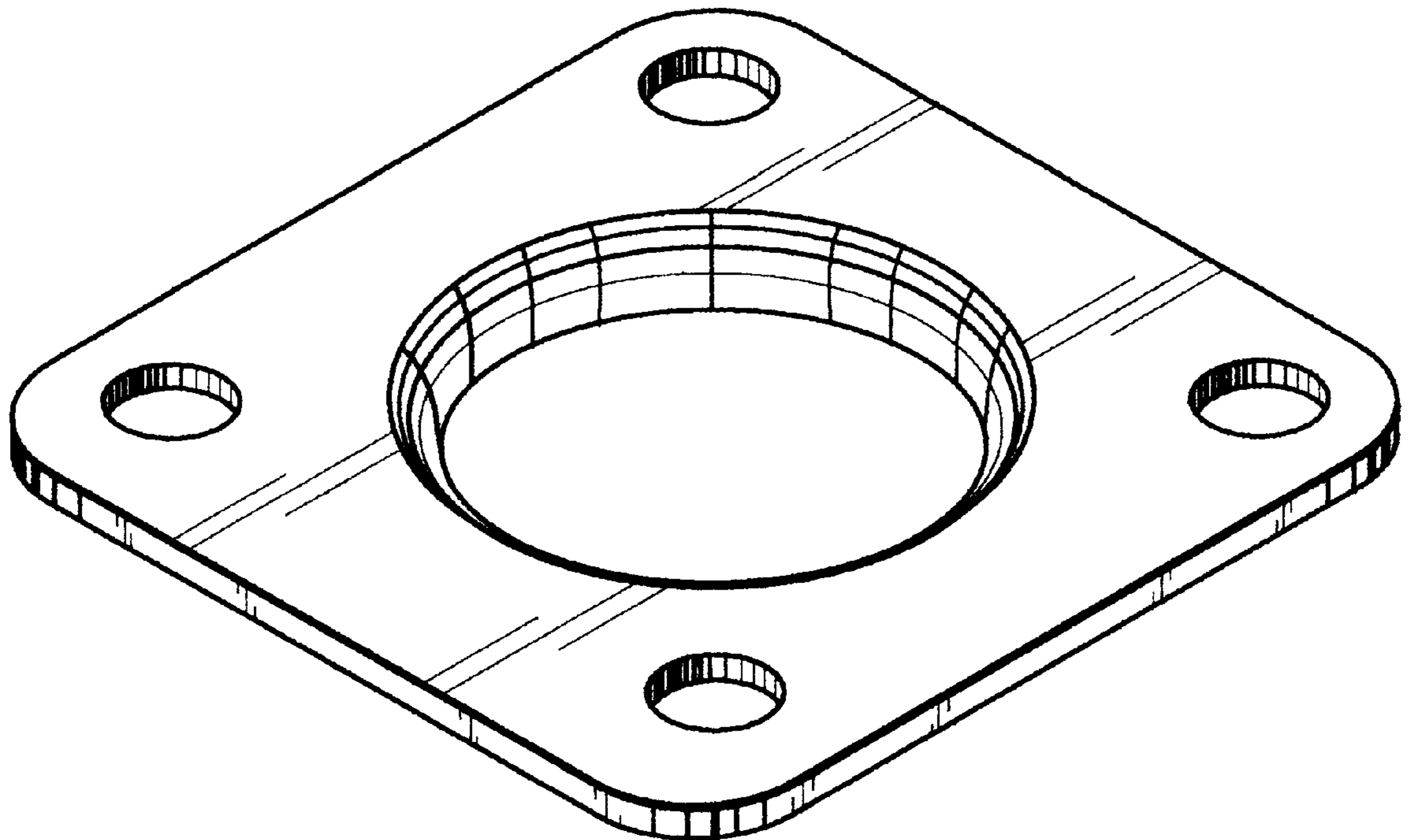
FIG. 1 is a perspective view of a bearing plate of my new design;
FIG. 2 is a top plan view thereof;
FIG. 3 is a bottom plan view thereof;
FIG. 4 is a top plan view thereof;
FIG. 5 is a bottom plan view thereof;
FIG. 6 is a side elevational view of the left side thereof; and,
FIG. 7 is a side elevational view of the right side thereof.

1 Claim, 2 Drawing Sheets

(56) **References Cited**

U.S. PATENT DOCUMENTS

D. 243,655 *	3/1977	Matousek et al.	D8/354
D. 371,138 *	6/1996	Waskiewicz	D15/143
D. 371,506	7/1996	Nofziger .	
D. 418,847 *	1/2000	Ichihara	D15/143
D. 419,430	1/2000	Williams .	
3,185,424	5/1965	Sloop .	
3,351,393 *	11/1967	Emmerich	384/428
4,460,285 *	7/1984	O'Donnell	384/428



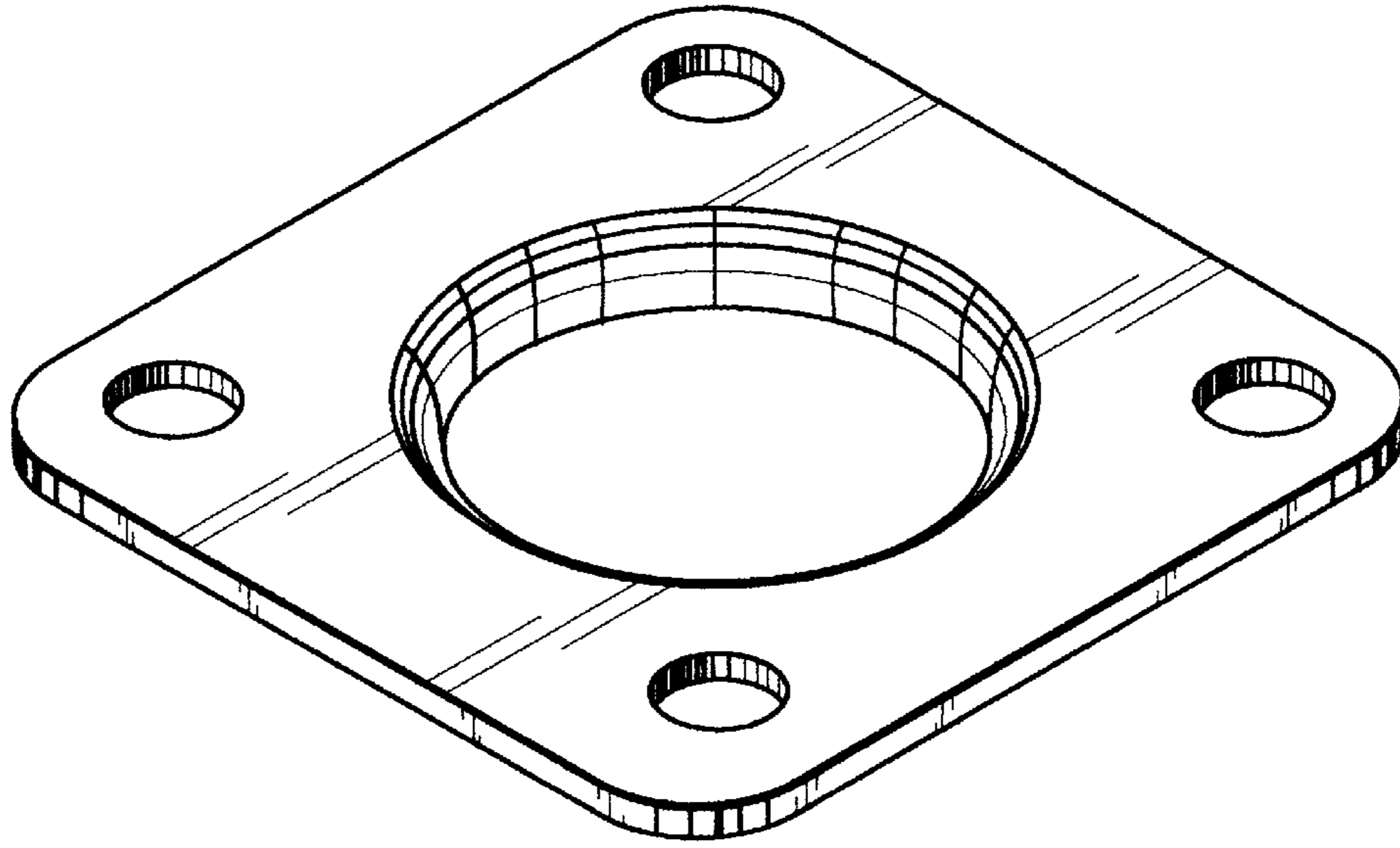


FIG.1

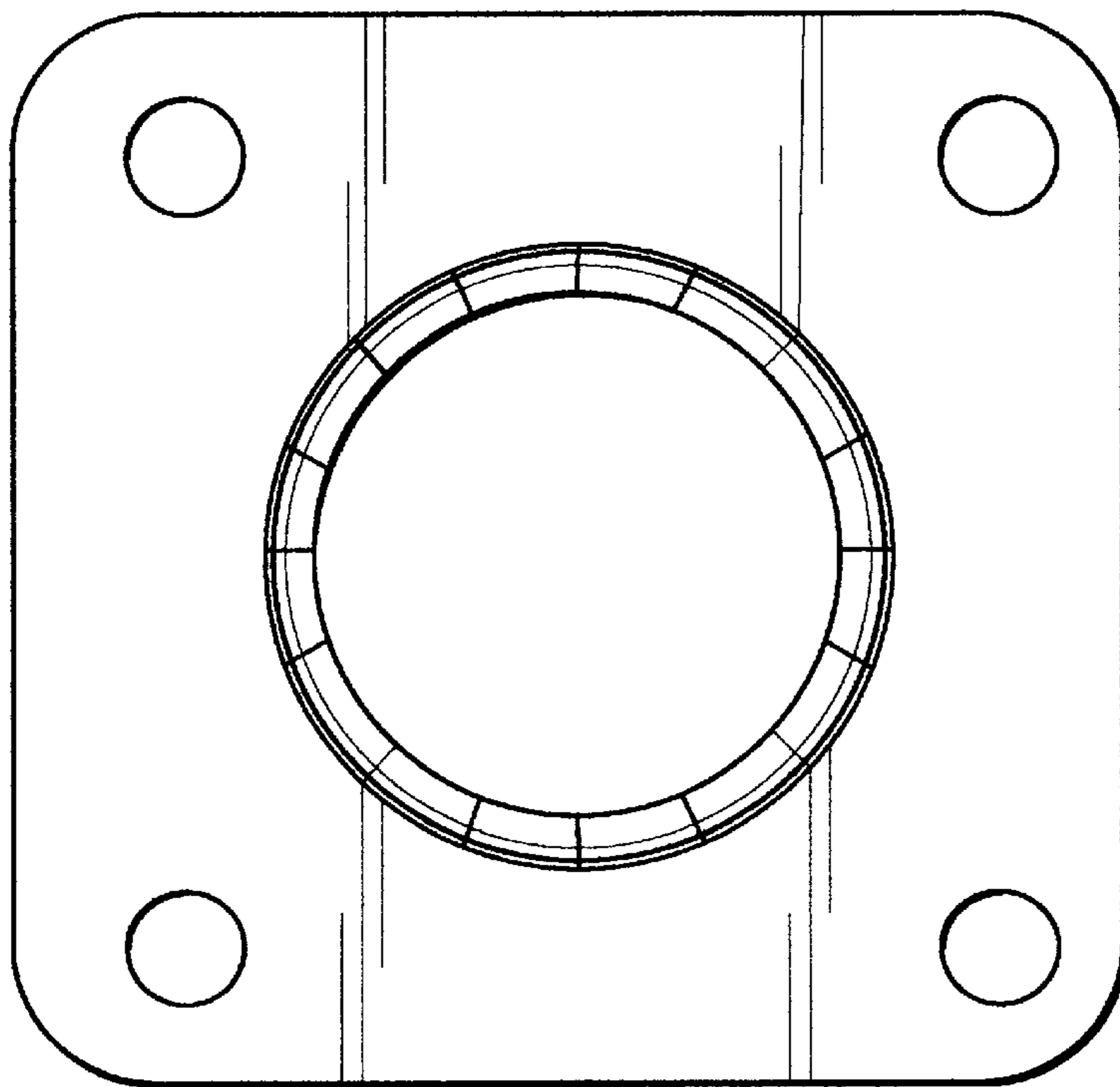


FIG.2

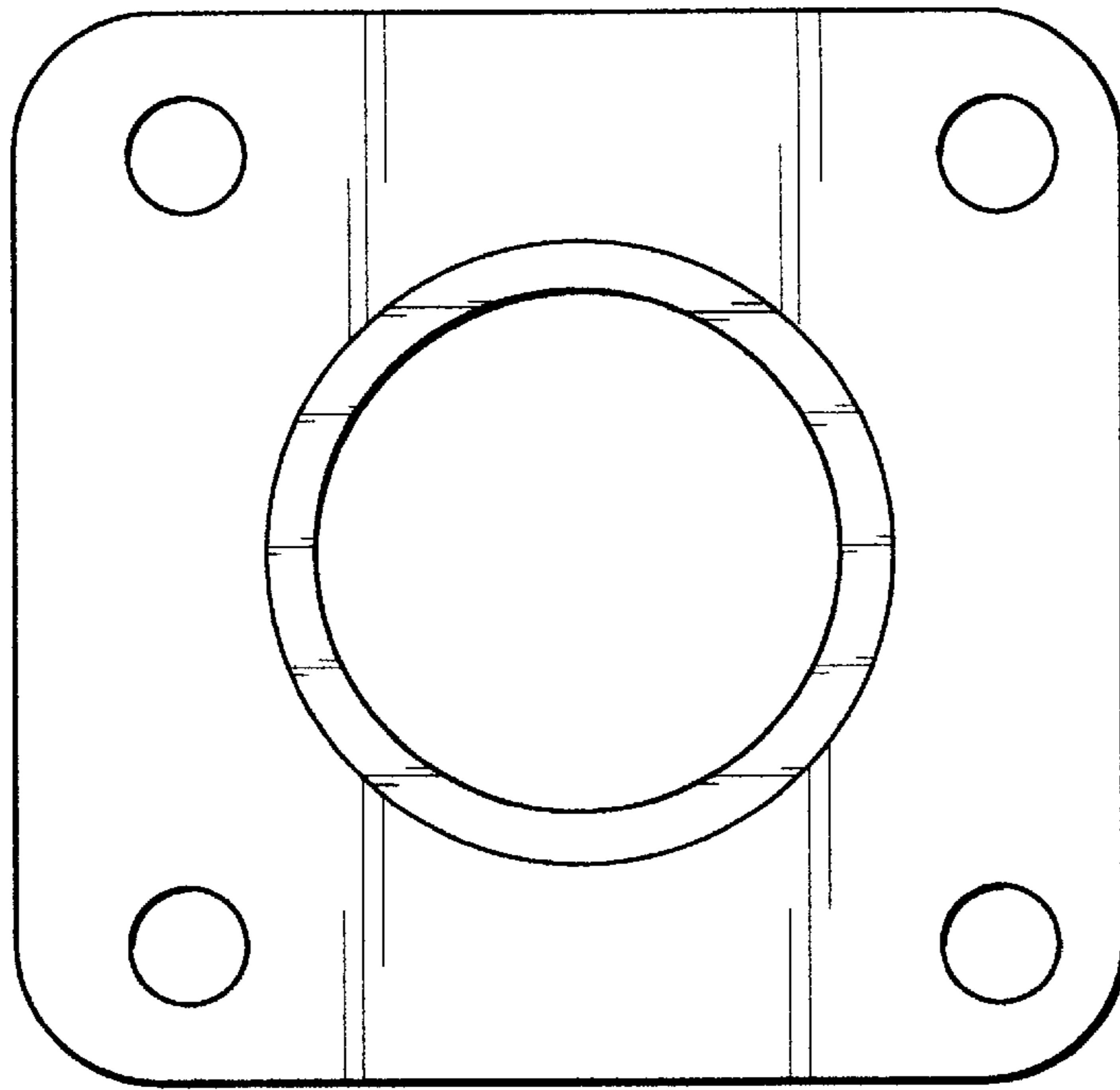


FIG. 3

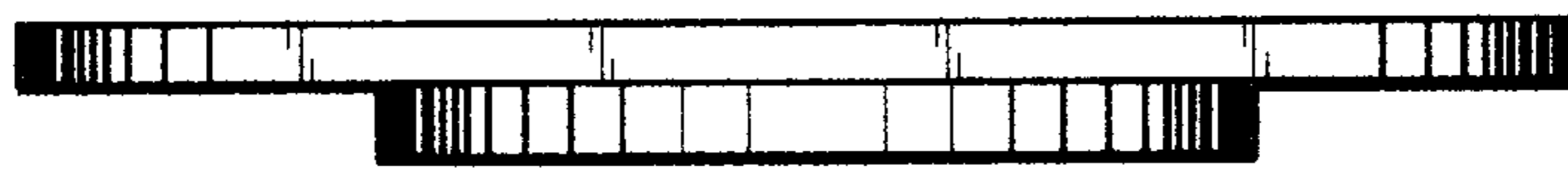


FIG. 4



FIG. 5



FIG. 6

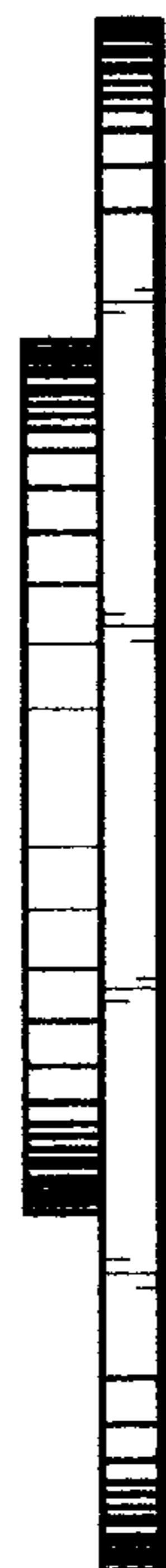


FIG. 7