



US00D442195S

(12) **United States Design Patent**  
**Hansson et al.**

(10) **Patent No.:** **US D442,195 S**

(45) **Date of Patent:** **\*\* May 15, 2001**

(54) **CUTTING INSERT FOR CHIP FORMING MACHINING**

3,894,322	*	7/1975	Pano	.....	407/116
5,004,379	*	4/1991	Little	.....	407/116
5,382,119	*	1/1995	Mihic	.....	407/116
6,000,885	*	12/1999	Erickson	.....	407/116 X

(75) Inventors: **Per Hansson**, Gävle; **Claes Andersson**, Valbo, both of (SE)

\* cited by examiner

(73) Assignee: **Sandvik Aktiebolag**, Sandviken (SE)

*Primary Examiner*—Antoine Duval Davis

(\*\*) Term: **14 Years**

(74) *Attorney, Agent, or Firm*—Burns, Doane, Swecker & Mathis, L.L.P.

(21) Appl. No.: **29/128,789**

(57) **CLAIM**

(22) Filed: **Aug. 31, 2000**

The ornamental design for a cutting insert for chip forming machining, as shown and described.

(30) **Foreign Application Priority Data**

**DESCRIPTION**

Mar. 2, 2000 (SE) ..... 00-0427

FIG. 1 is a front end, top perspective view of a cutting insert for chip forming machining showing our new design; FIG. 2 is a top plan view thereof; FIG. 3 is a bottom plan view thereof; FIG. 4 is a side elevational view thereof; FIG. 5 is a side elevational view of the other sidethereof; FIG. 6 is a front end elevational view thereof; and, FIG. 7 is a rear end elevational view thereof.

(51) **LOC (7) Cl.** ..... **15-09**

(52) **U.S. Cl.** ..... **D15/139**

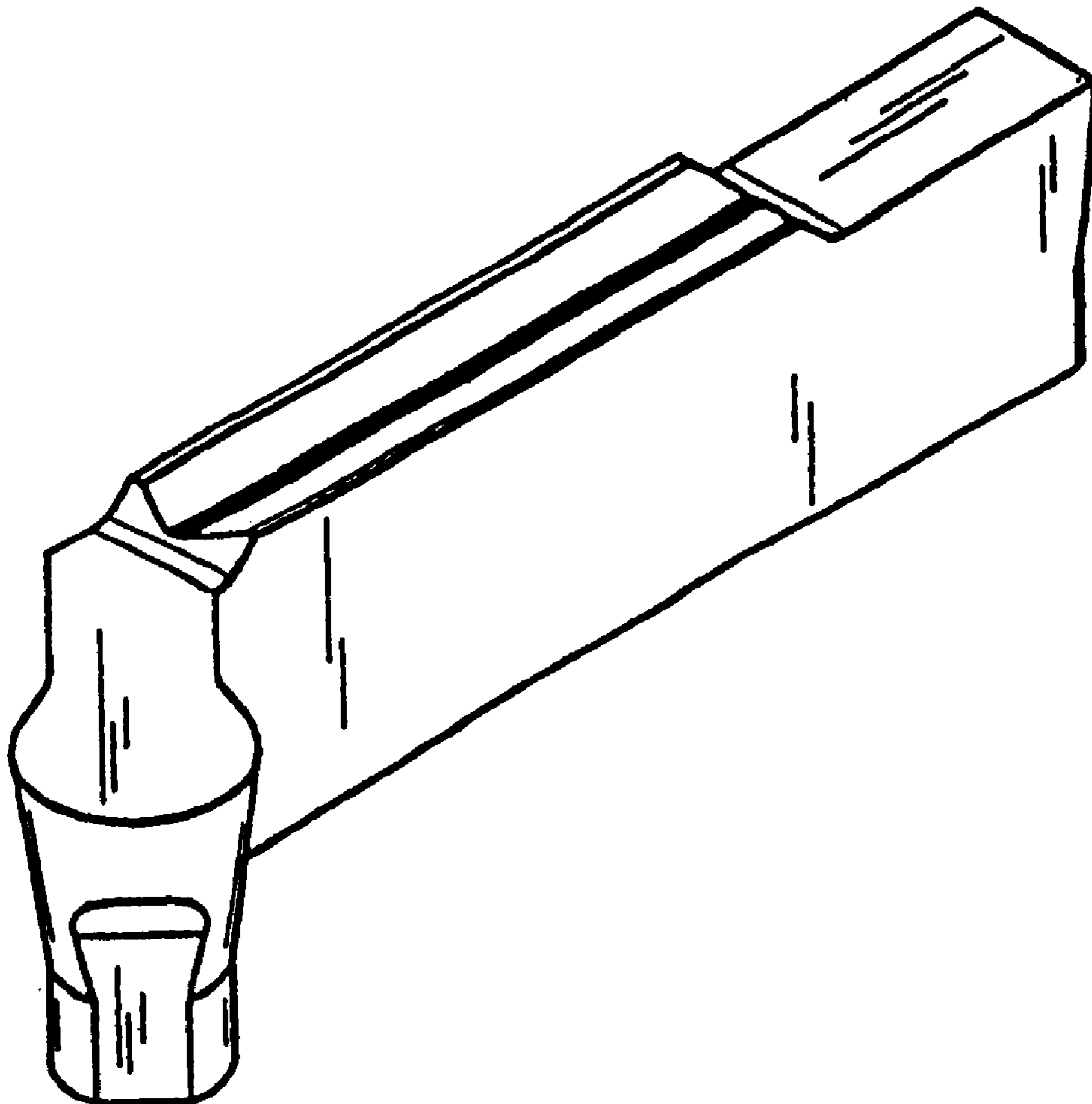
(58) **Field of Search** ..... D15/139; 407/116, 407/117

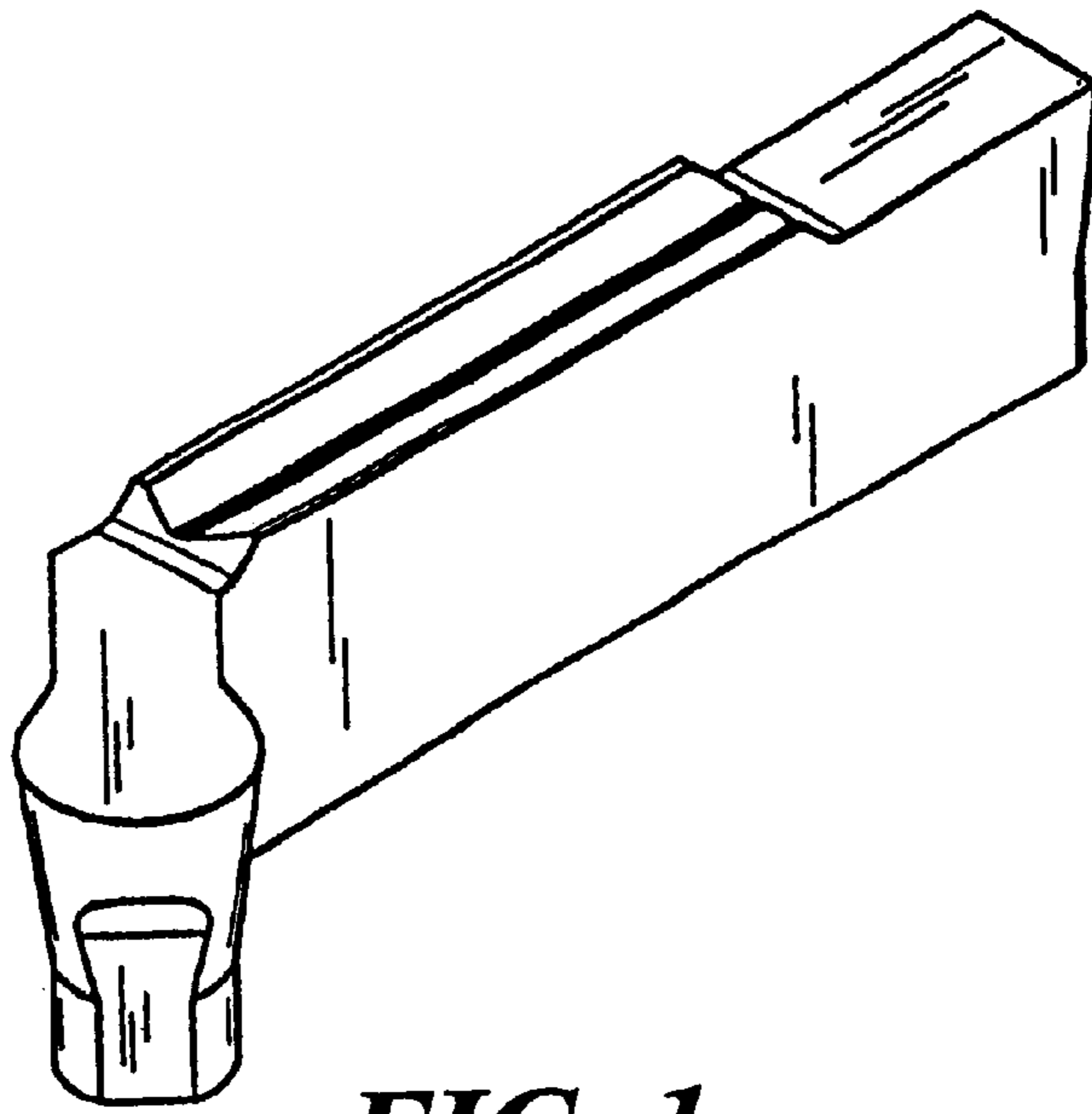
(56) **References Cited**

**U.S. PATENT DOCUMENTS**

D. 271,497 \* 11/1983 Green ..... D15/139

**1 Claim, 2 Drawing Sheets**

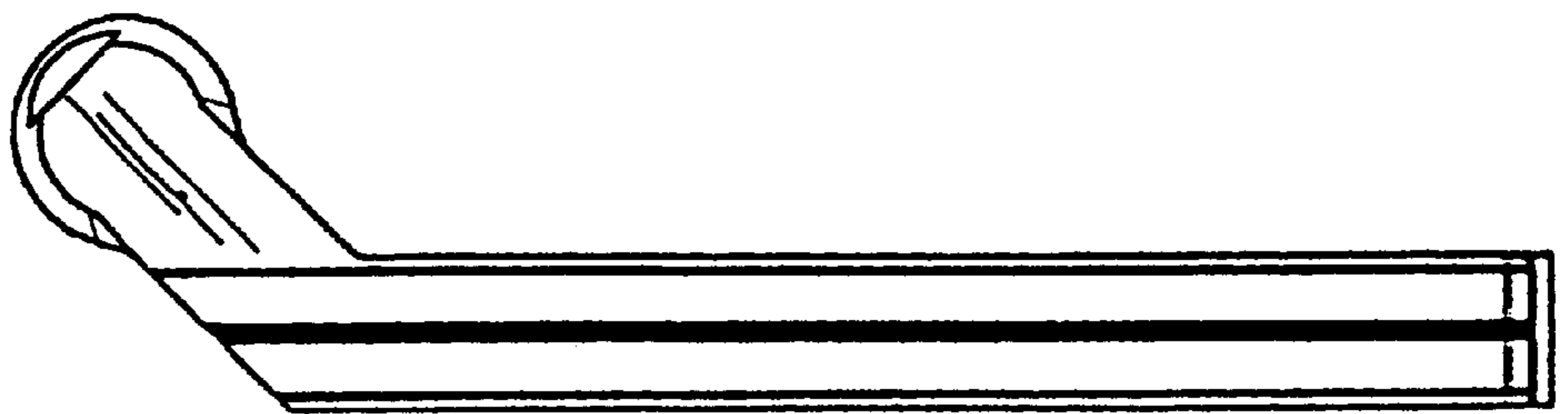




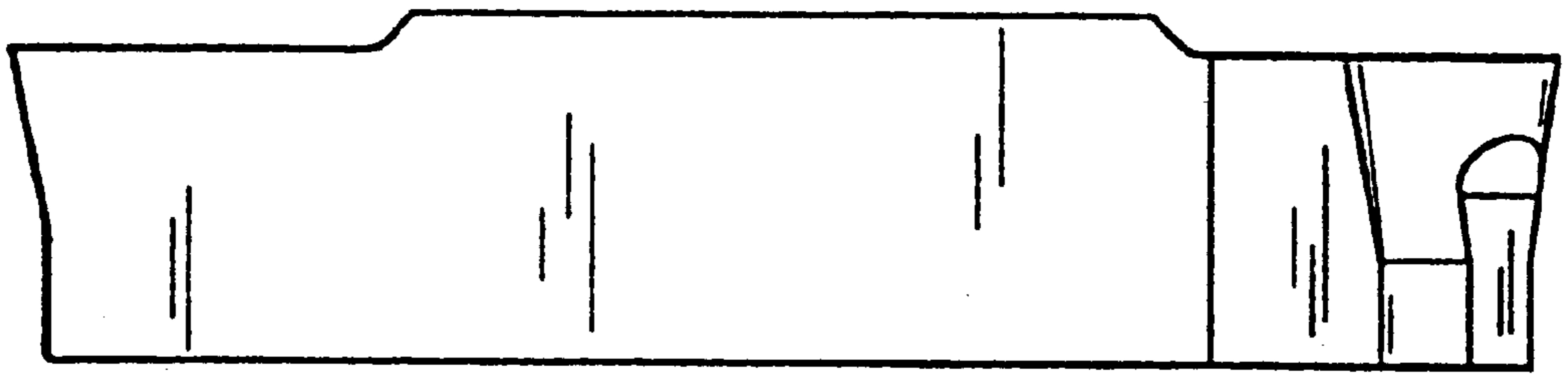
**FIG. 1**



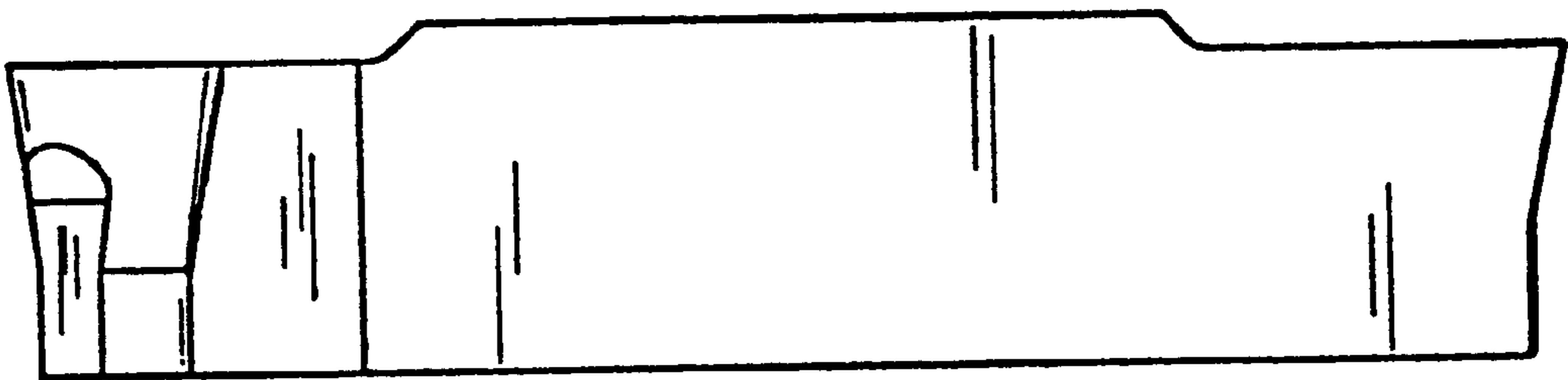
**FIG. 2**



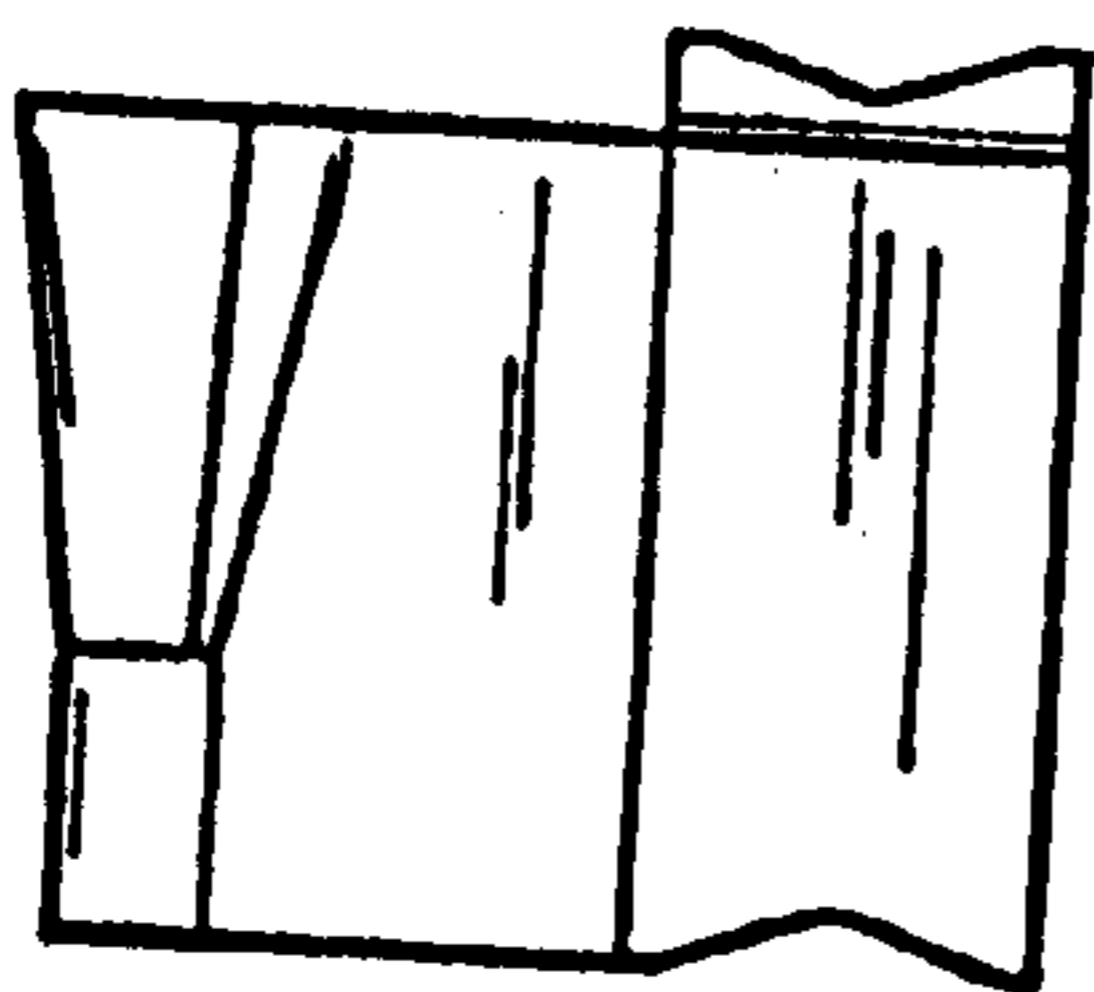
**FIG. 3**



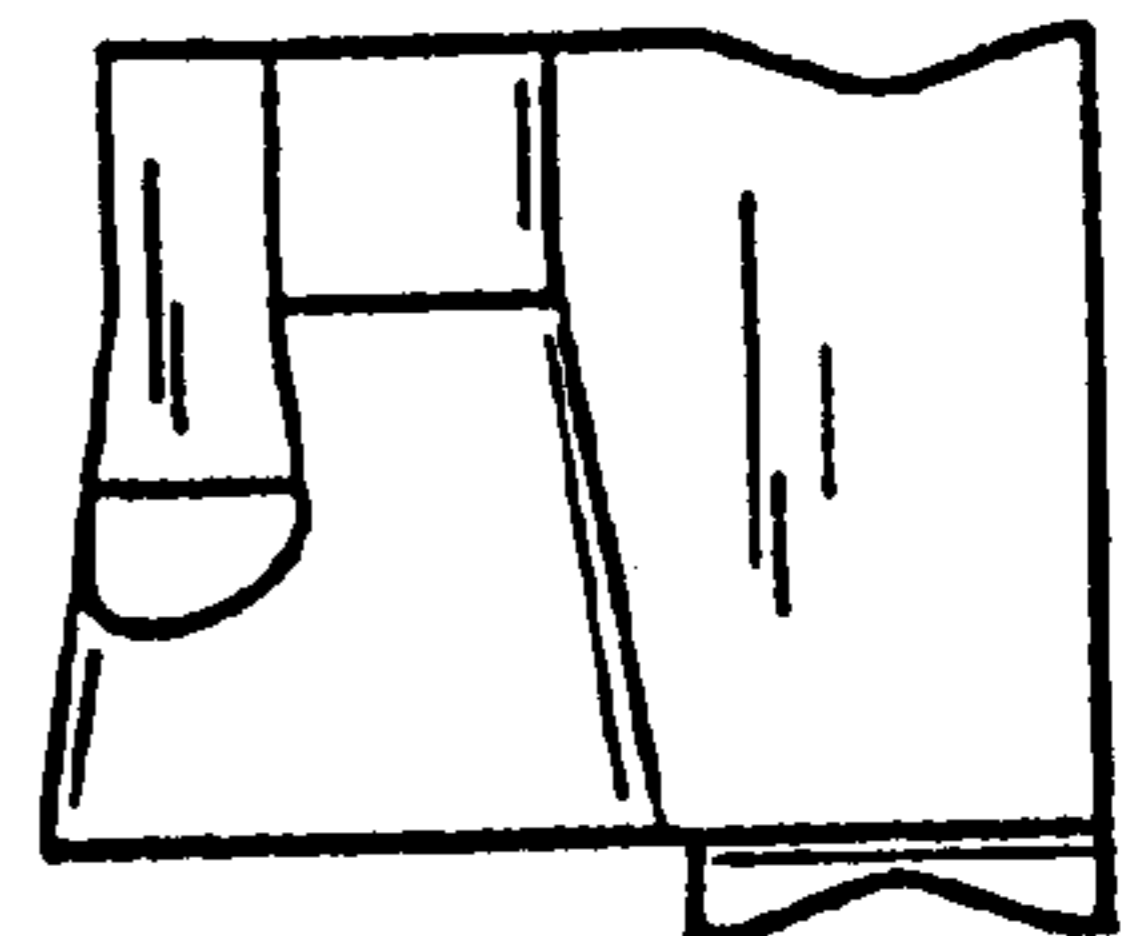
**FIG. 4**



**FIG. 5**



**FIG. 6**



**FIG. 7**