



US00D442193S

(12) **United States Design Patent**  
**Isaksson**

(10) **Patent No.:** **US D442,193 S**

(45) **Date of Patent:** **\*\* May 15, 2001**

(54) **TURNING INSERT FOR RAILWAY WHEEL  
AXLE TURNING**

4,728,228 \* 3/1988 Okunishi et al. .... 407/35

\* cited by examiner

(75) Inventor: **Robert Isaksson, Järbo (SE)**

*Primary Examiner*—Antoine Duval Davis

(73) Assignee: **Sandik AB, Sandviken (SE)**

(74) *Attorney, Agent, or Firm*—Burns, Doane, Swecker & Mathis, L.L.P.

(\*\*) Term: **14 Years**

(57) **CLAIM**

(21) Appl. No.: **29/123,540**

The ornamental design for a turning insert for railway wheel axle turning, as shown and described.

(22) Filed: **May 22, 2000**

**DESCRIPTION**

(51) **LOC (7) Cl.** ..... **15-09**

(52) **U.S. Cl.** ..... **D15/139**

(58) **Field of Search** ..... D15/138, 139;  
407/35, 42, 107-119

FIG. 1 is a bottom plan view of an insert showing my new design;

FIG. 2 is a side elevational view of FIG. 1 all side views being alike;

FIG. 3 is a top plan view of FIG. 2; and,

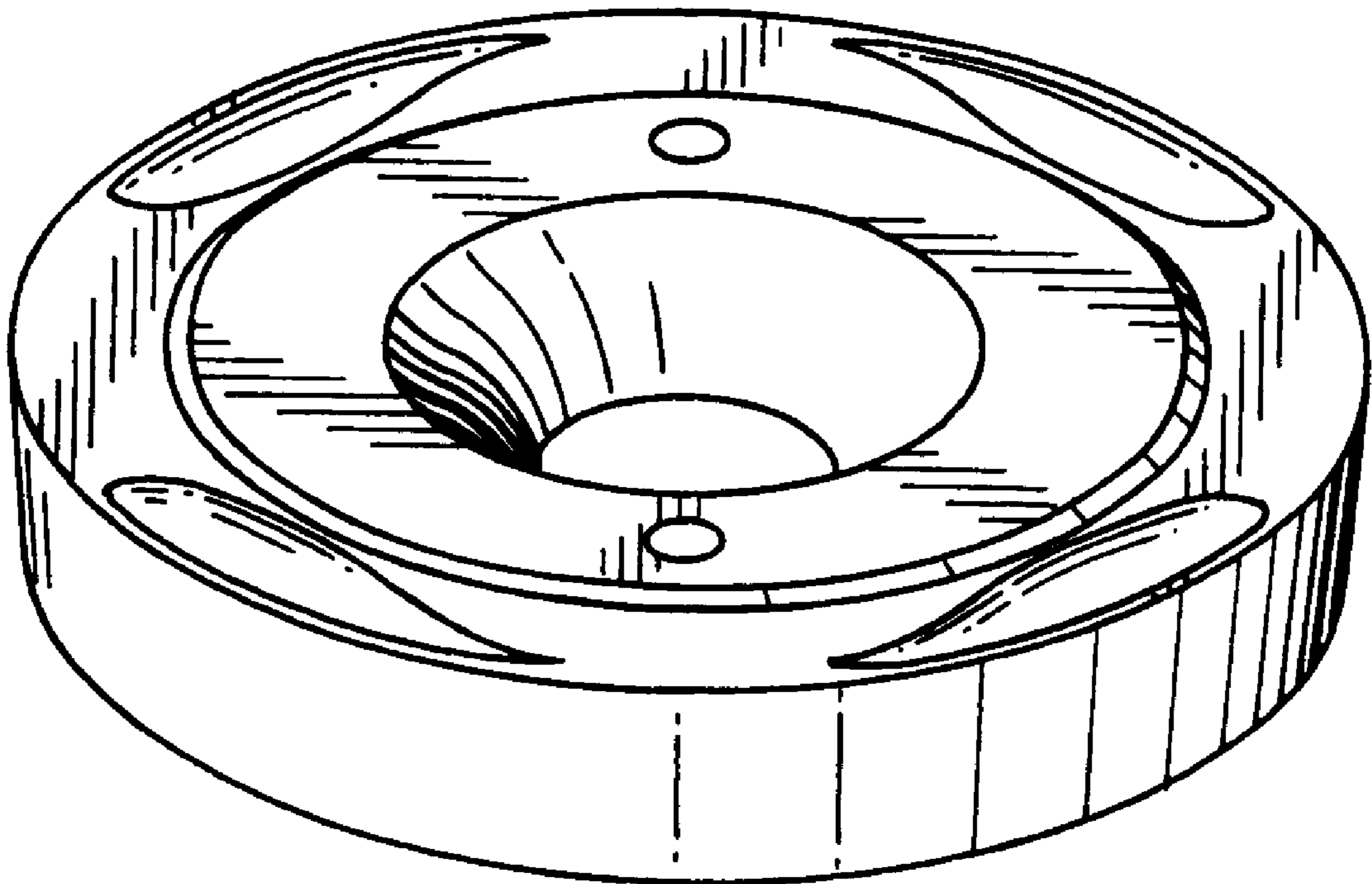
FIG. 4 is a top perspective view of FIG. 2.

(56) **References Cited**

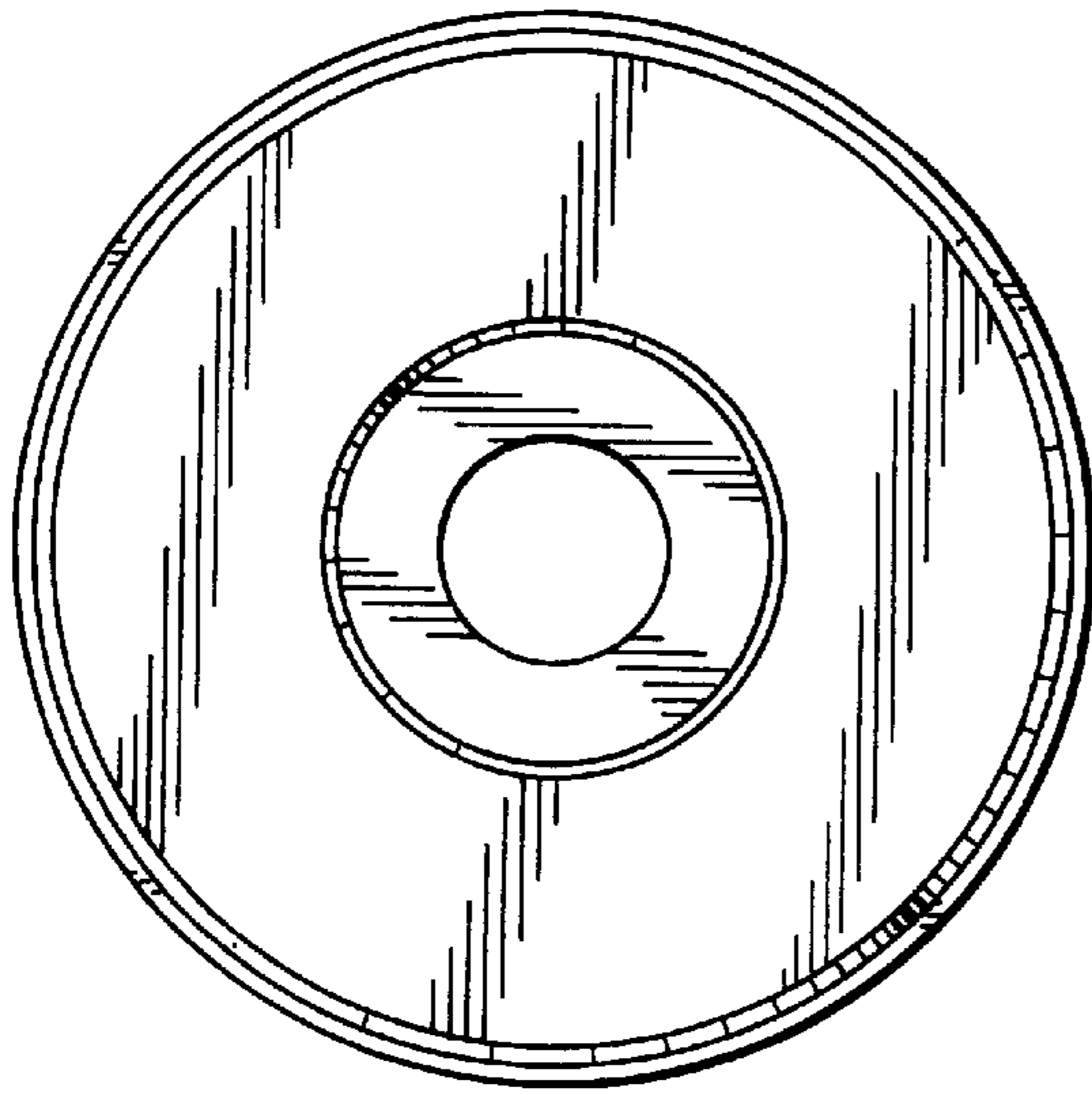
**U.S. PATENT DOCUMENTS**

4,522,538 \* 6/1985 Lindsey ..... 407/35

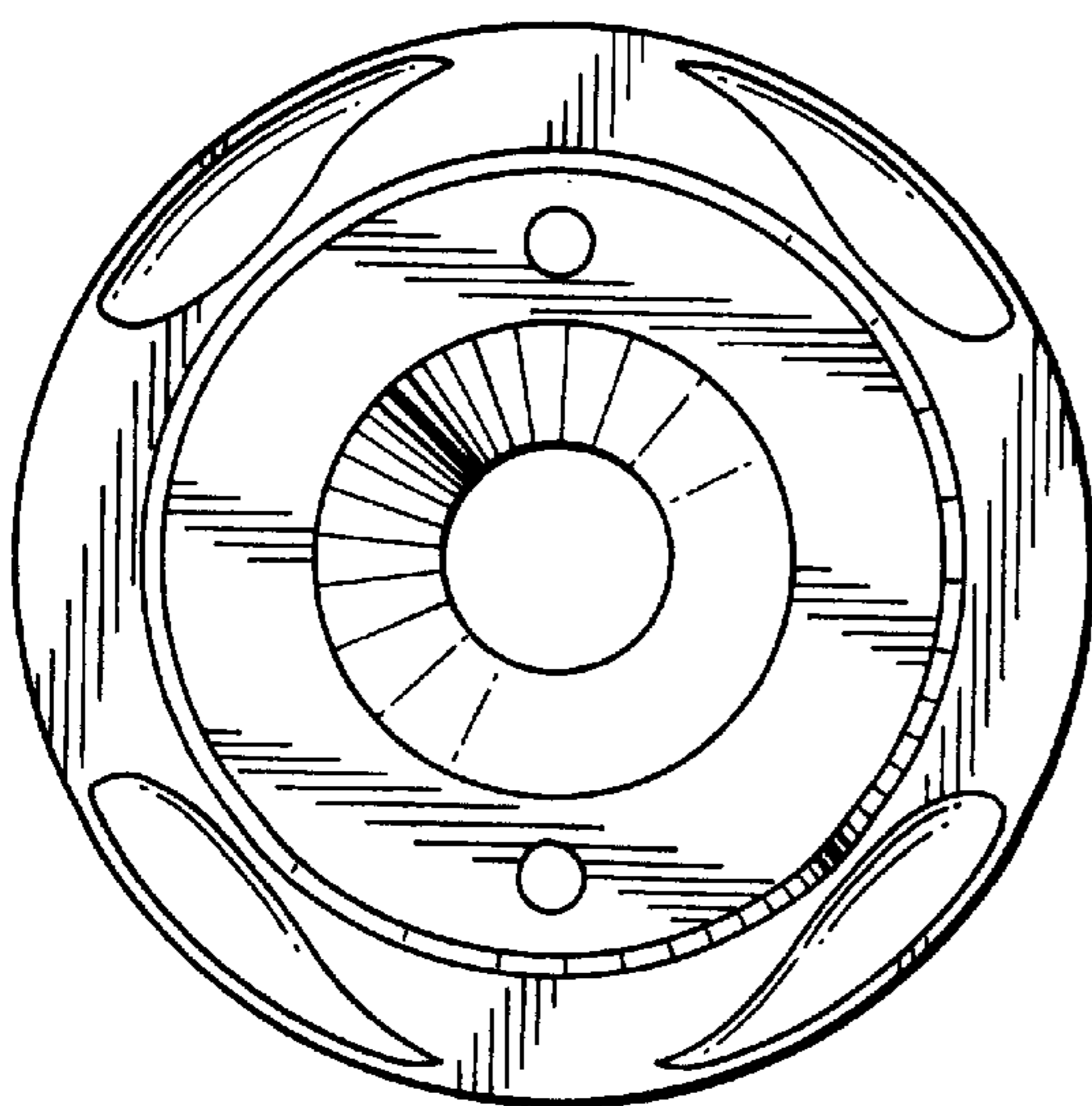
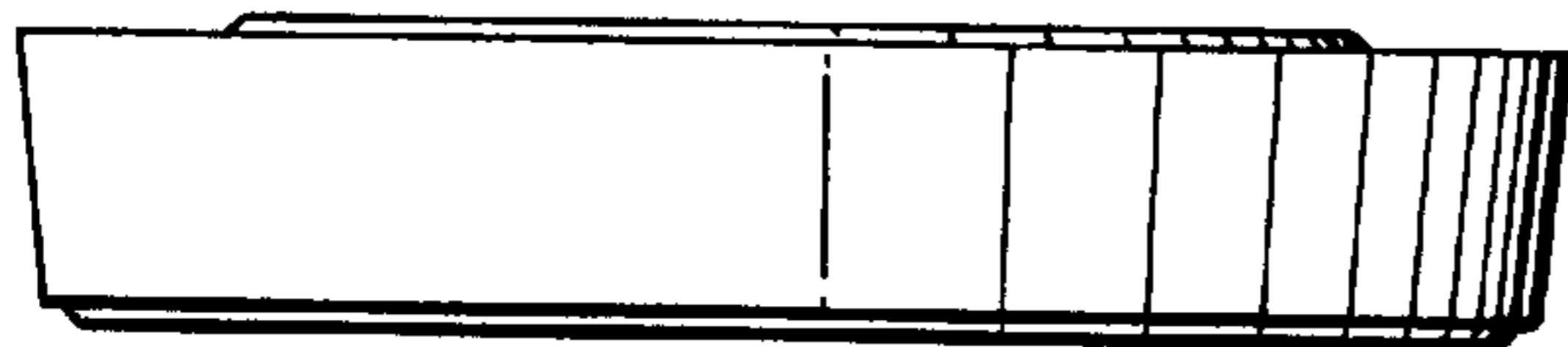
**1 Claim, 1 Drawing Sheet**



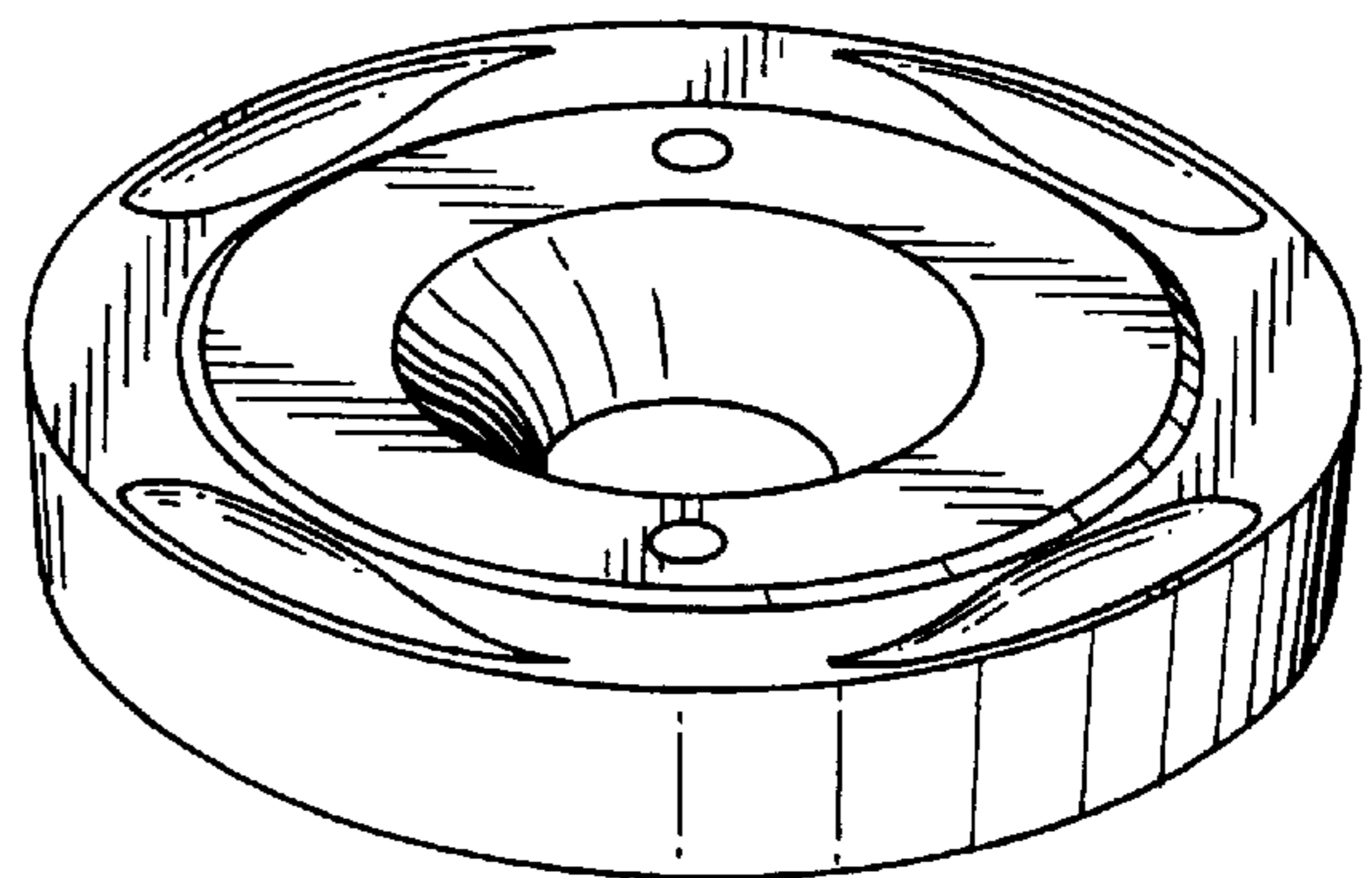
**FIG. 1**



**FIG. 2**



**FIG. 3**



**FIG. 4**