



US00D442190S

(12) **United States Design Patent**
Chen

(10) **Patent No.:** **US D442,190 S**

(45) **Date of Patent:** **** May 15, 2001**

(54) **TABLE SAW**

D. 427,213 * 6/2000 Chen D15/133

(75) **Inventor:** **Ruey-Zon Chen, Tali (TW)**

* cited by examiner

(73) **Assignee:** **Rexon Industrial Corp., Ltd.,
Taichung Hsien (TW)**

Primary Examiner—Antoine Duval Davis
(74) *Attorney, Agent, or Firm*—Bacon & Thomas, PLLC

(**) **Term:** **14 Years**

(57) **CLAIM**

(21) **Appl. No.:** **29/124,574**

The ornamental design for a table saw, as shown and described.

(22) **Filed:** **Jun. 7, 2000**

DESCRIPTION

(51) **LOC (7) Cl.** **15-09**

(52) **U.S. Cl.** **D15/133**

(58) **Field of Search** D15/127, 133;
83/169; 125/13.01; 451/344, 450

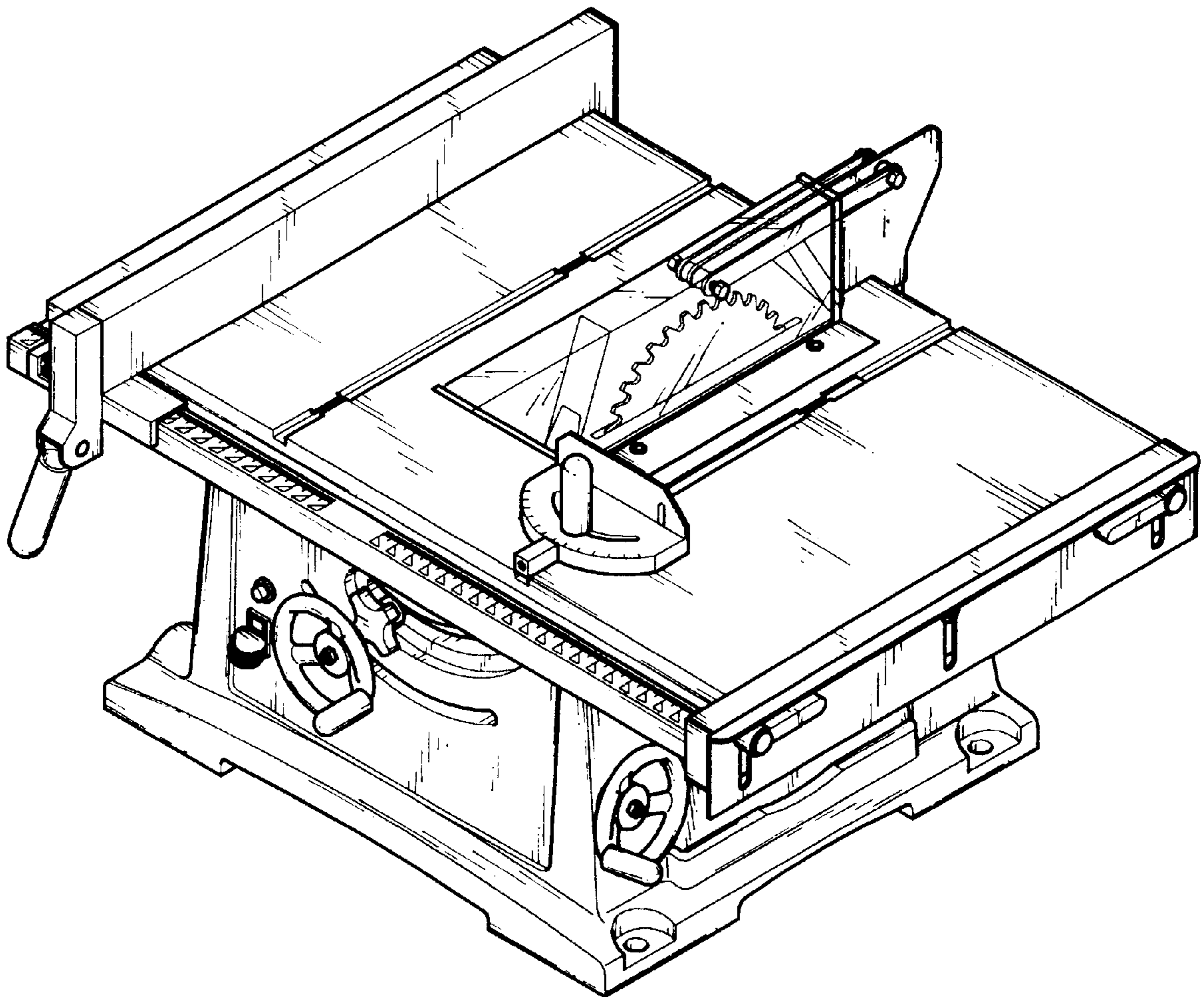
FIG. 1 is a front-right-top perspective view of a table saw showing my new design;
FIG. 2 is a front elevational view thereof;
FIG. 3 is a rear elevational view thereof;
FIG. 4 is a top plane view thereof;
FIG. 5 is a bottom plane view thereof;
FIG. 6 is a left elevational view thereof; and,
FIG. 7 is a right elevational view thereof.

(56) **References Cited**

U.S. PATENT DOCUMENTS

- D. 394,071 * 5/1998 Ceroll et al. D15/133
- D. 411,090 * 6/1999 Chang D15/133
- D. 425,529 * 5/2000 Svetlik D15/133

1 Claim, 4 Drawing Sheets



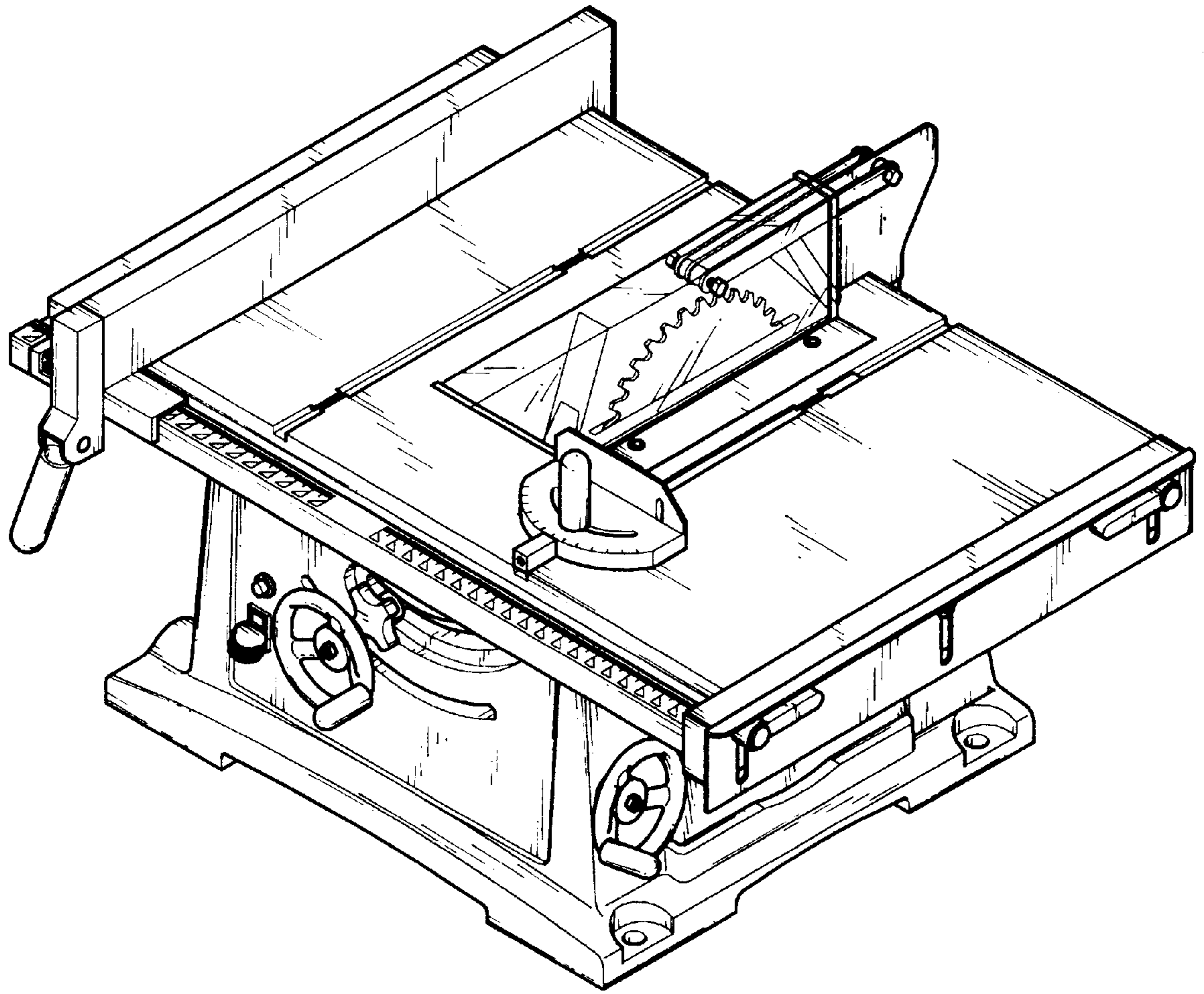


FIG.1

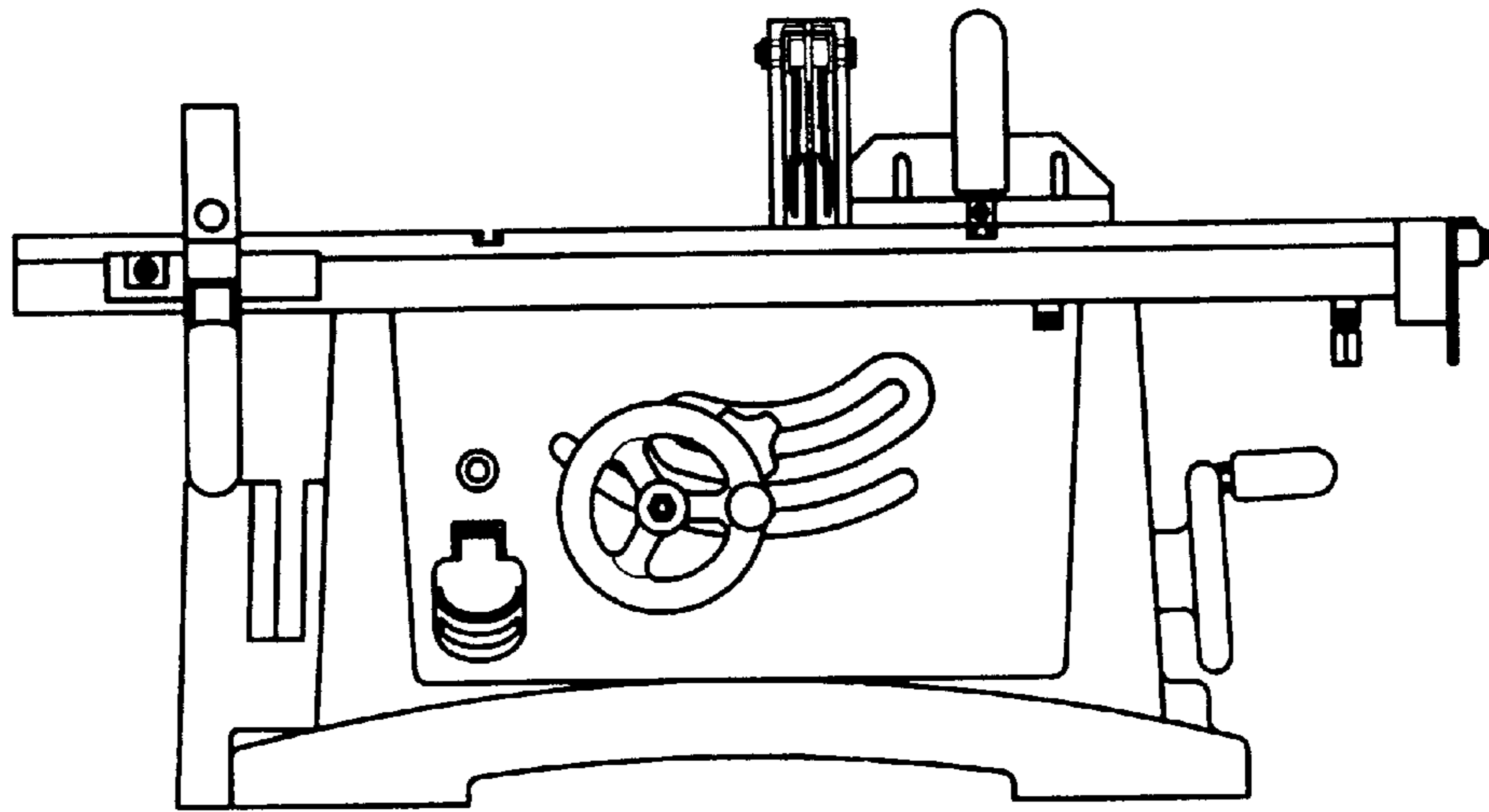


FIG. 2

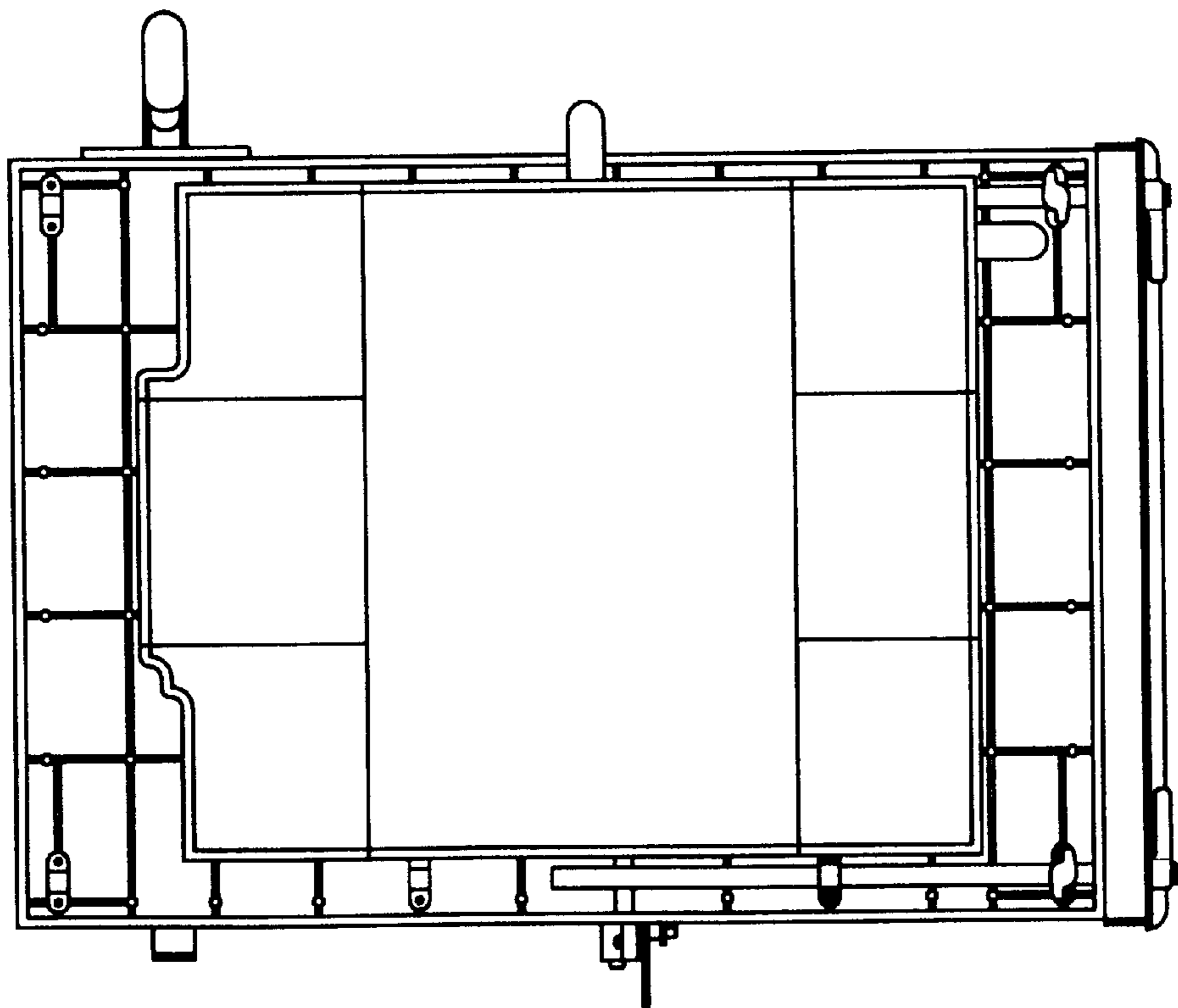


FIG. 5

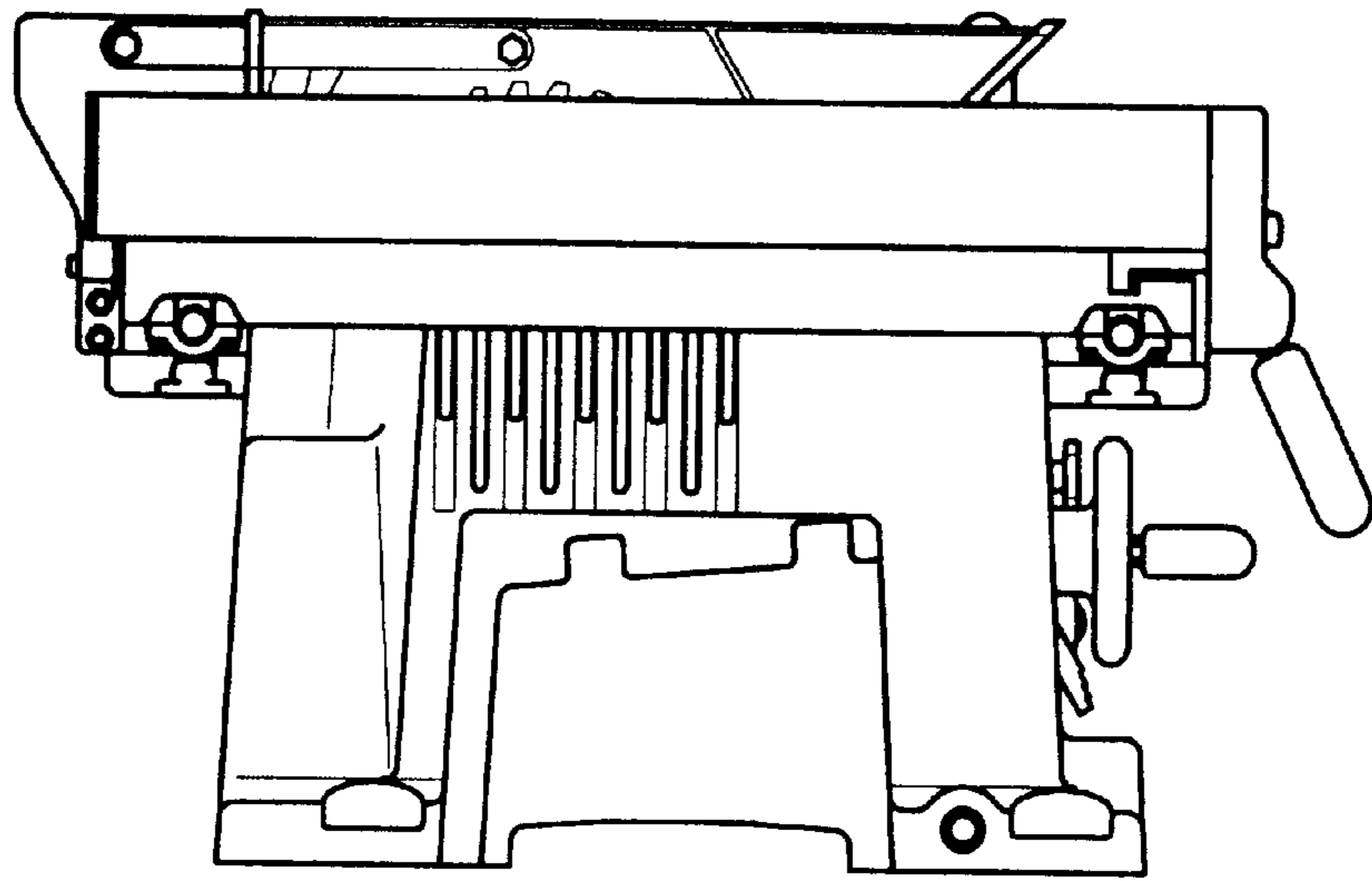


FIG. 6

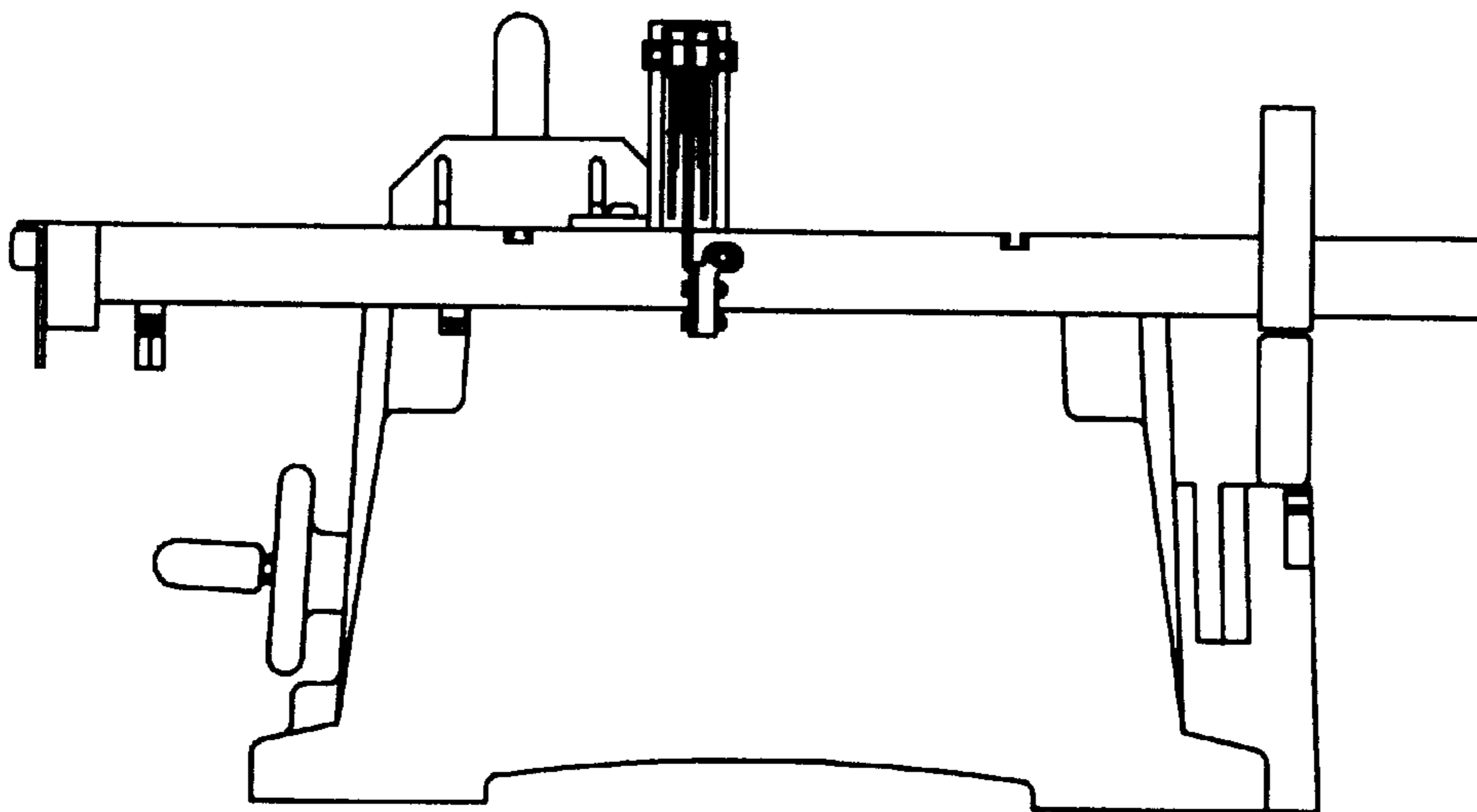


FIG. 3

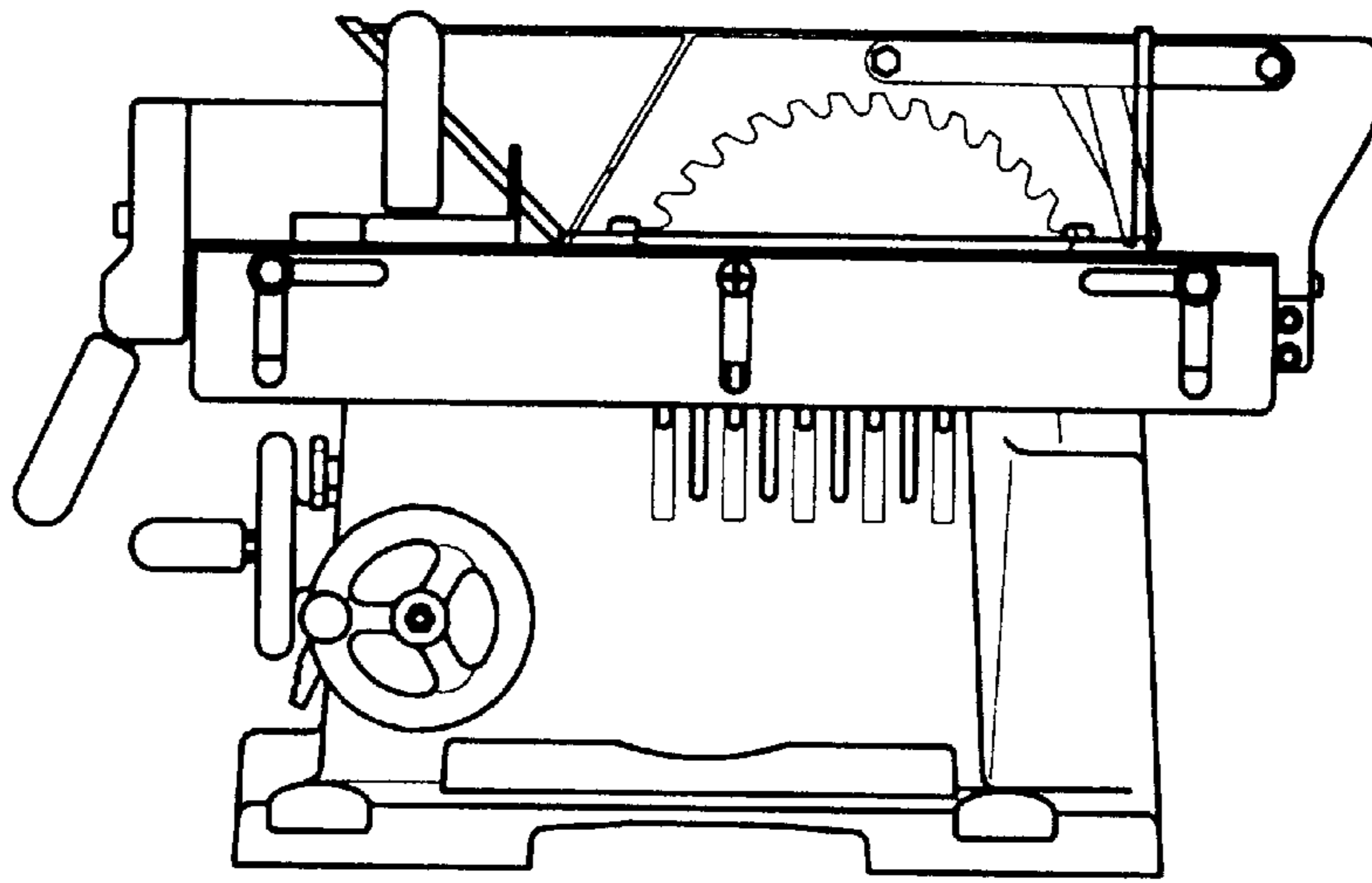


FIG. 7

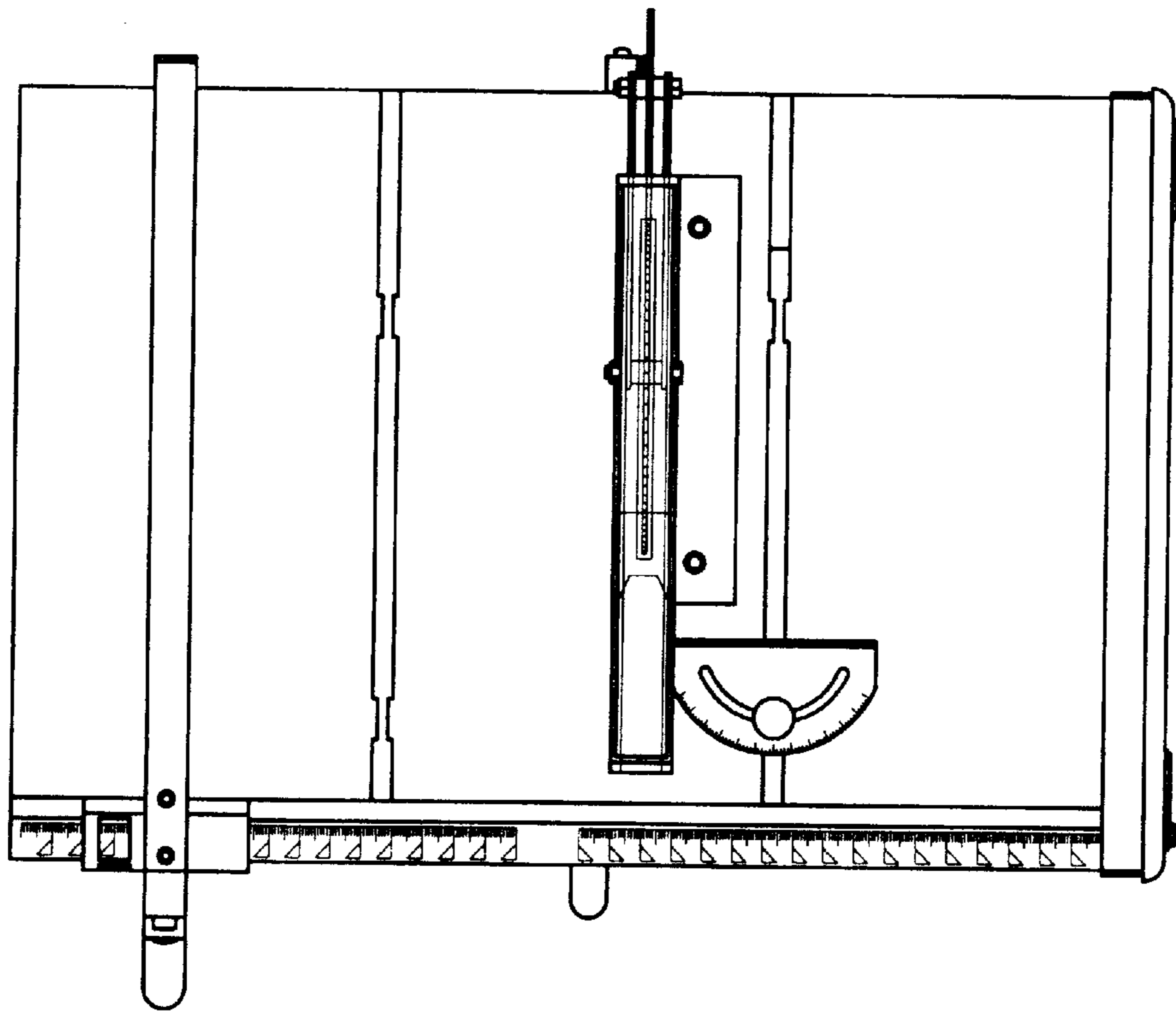


FIG. 4