



US00D442189S

(12) **United States Design Patent**
Quantz et al.

(10) **Patent No.:** **US D442,189 S**

(45) **Date of Patent:** **** May 15, 2001**

(54) **CRACKING DIE FOR A NUTCRACKING DIE ASSEMBLY**

B1 6,182,562 * 2/2001 Quantz et al. 99/571

* cited by examiner

(75) Inventors: **James Bland Quantz**, Lexington;
Pascal Walter Pitts, Cayce, both of SC
(US)

Primary Examiner—Antoine Duval Davis
(74) *Attorney, Agent, or Firm*—Alston & Bird LLP

(73) Assignee: **Machine Design Incorporated**, West
Columbia, SC (US)

(57) **CLAIM**

The ornamental design for a cracking die for a nutcracking die assembly, as shown and described.

(**) Term: **14 Years**

DESCRIPTION

(21) Appl. No.: **29/130,070**

FIG. 1 is a perspective view of a cracking die for a nutcracking die assembly which embodies the present invention;

(22) Filed: **Sep. 27, 2000**

FIG. 2 is a side elevation view of the cracking die shown in FIG. 1;

(51) **LOC (7) Cl.** **15-09**

(52) **U.S. Cl.** **D15/123**

(58) **Field of Search** D15/123, 124;
99/568, 571-576, 577-579, 580-583, 600;
426/481, 482; 30/120.1-120.5; 198/622

FIG. 3 is a front elevation view of the cracking die shown in FIG. 1;

FIG. 4 is a rear elevation view of the cracking die shown in FIG. 1; and,

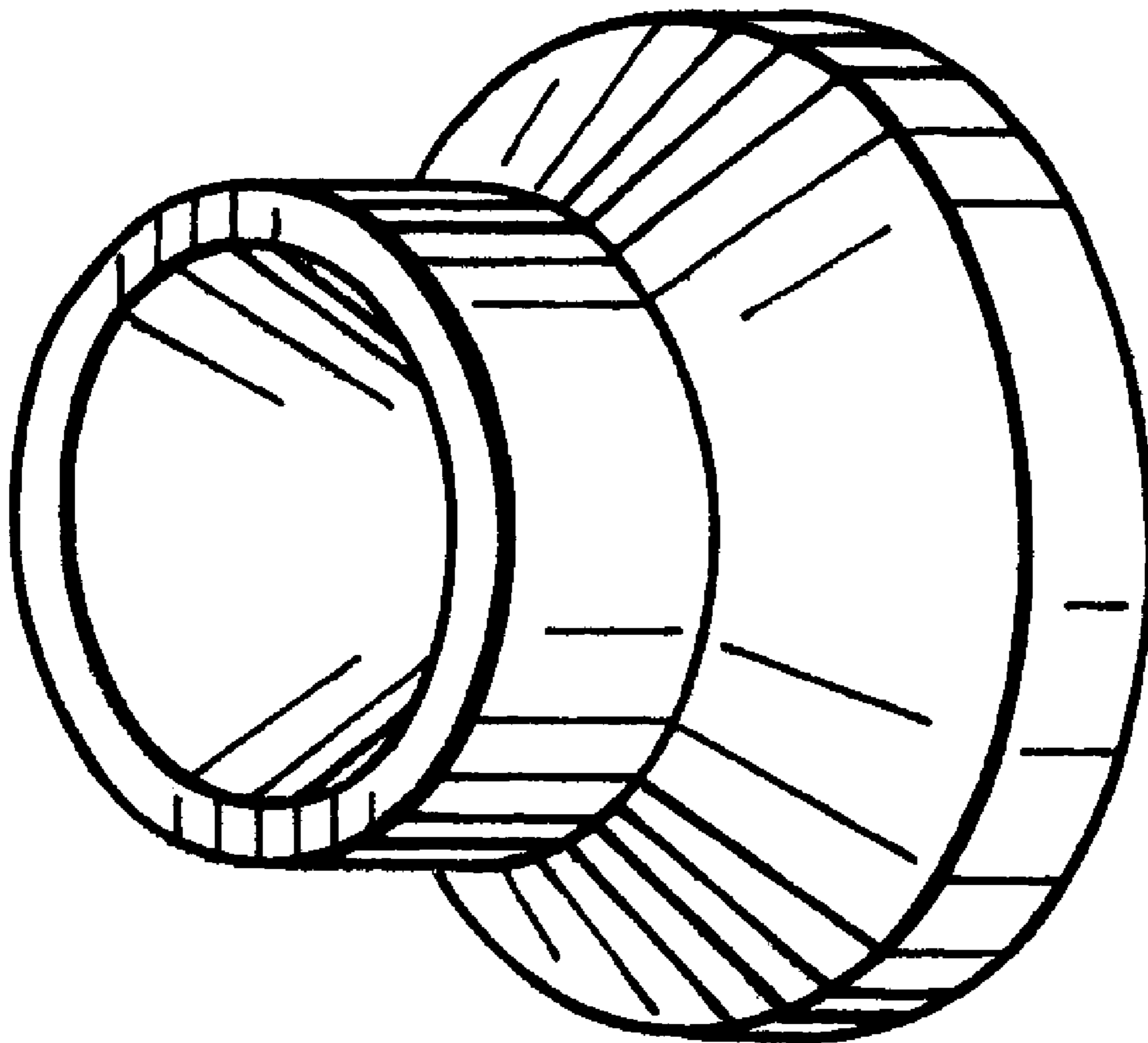
(56) **References Cited**

FIG. 5 is a sectional view taken along the line 5-5 in FIG. 3.

U.S. PATENT DOCUMENTS

4,441,414 4/1984 Quantz .

1 Claim, 1 Drawing Sheet



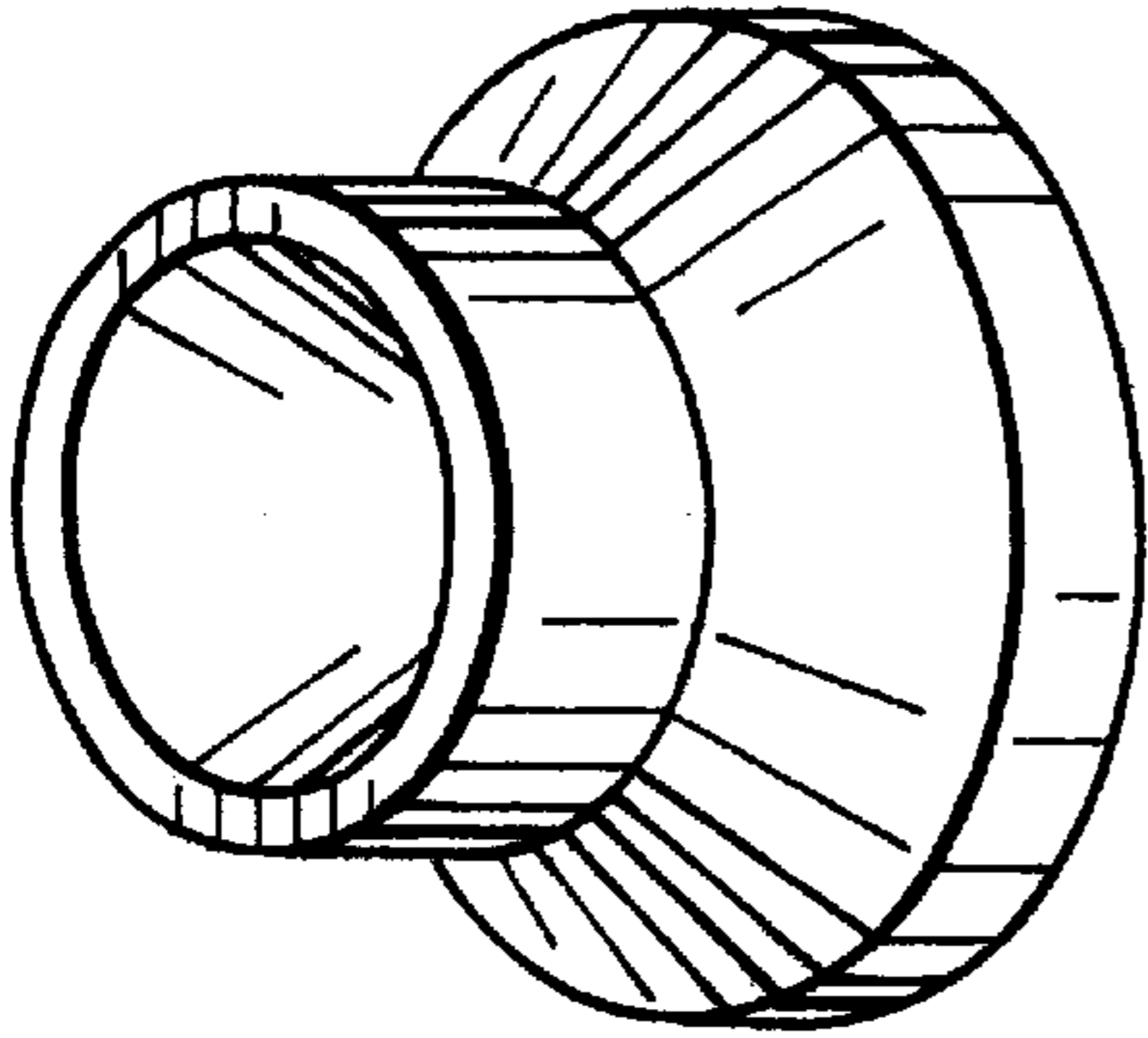


FIG. 1.

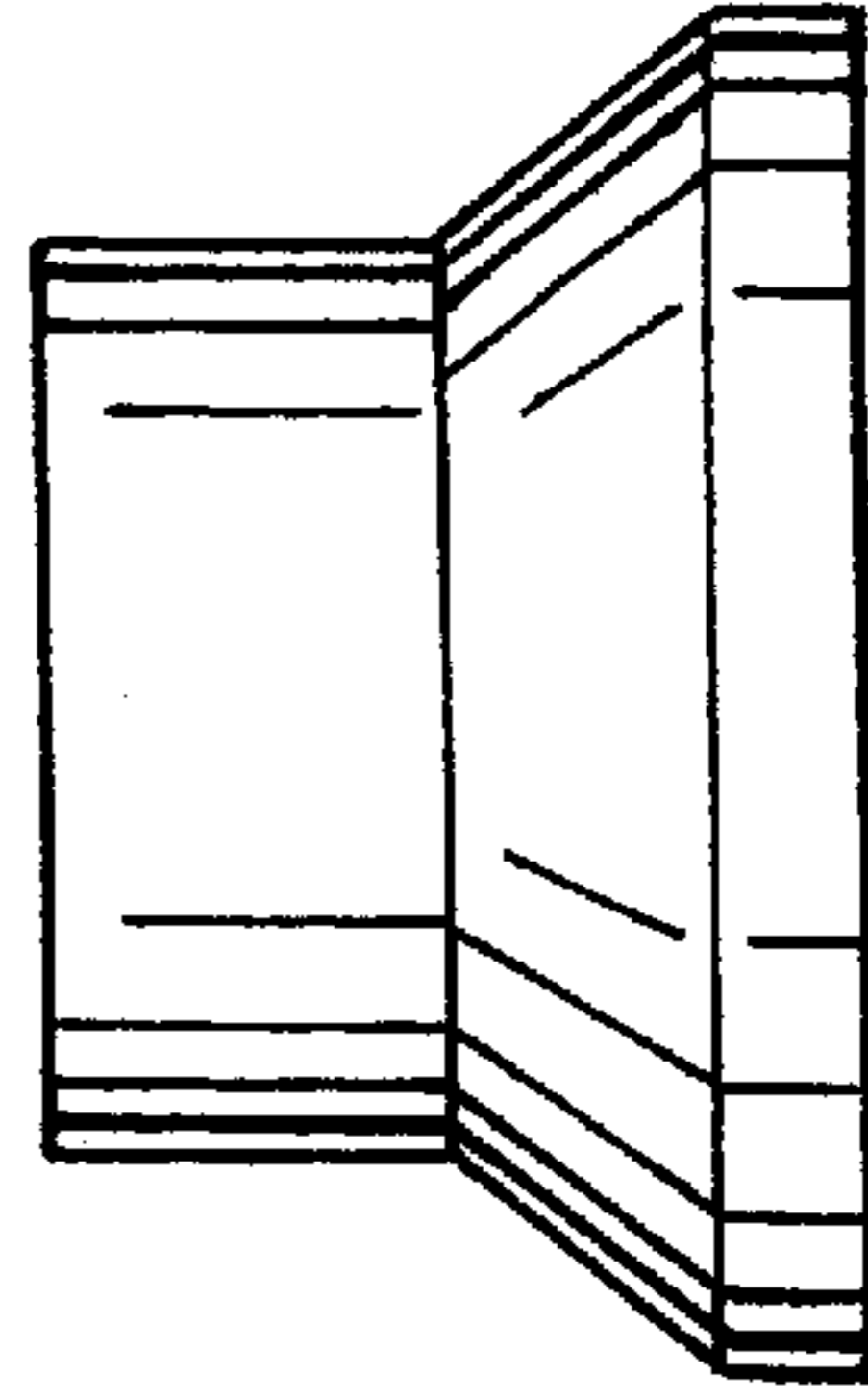


FIG. 2.

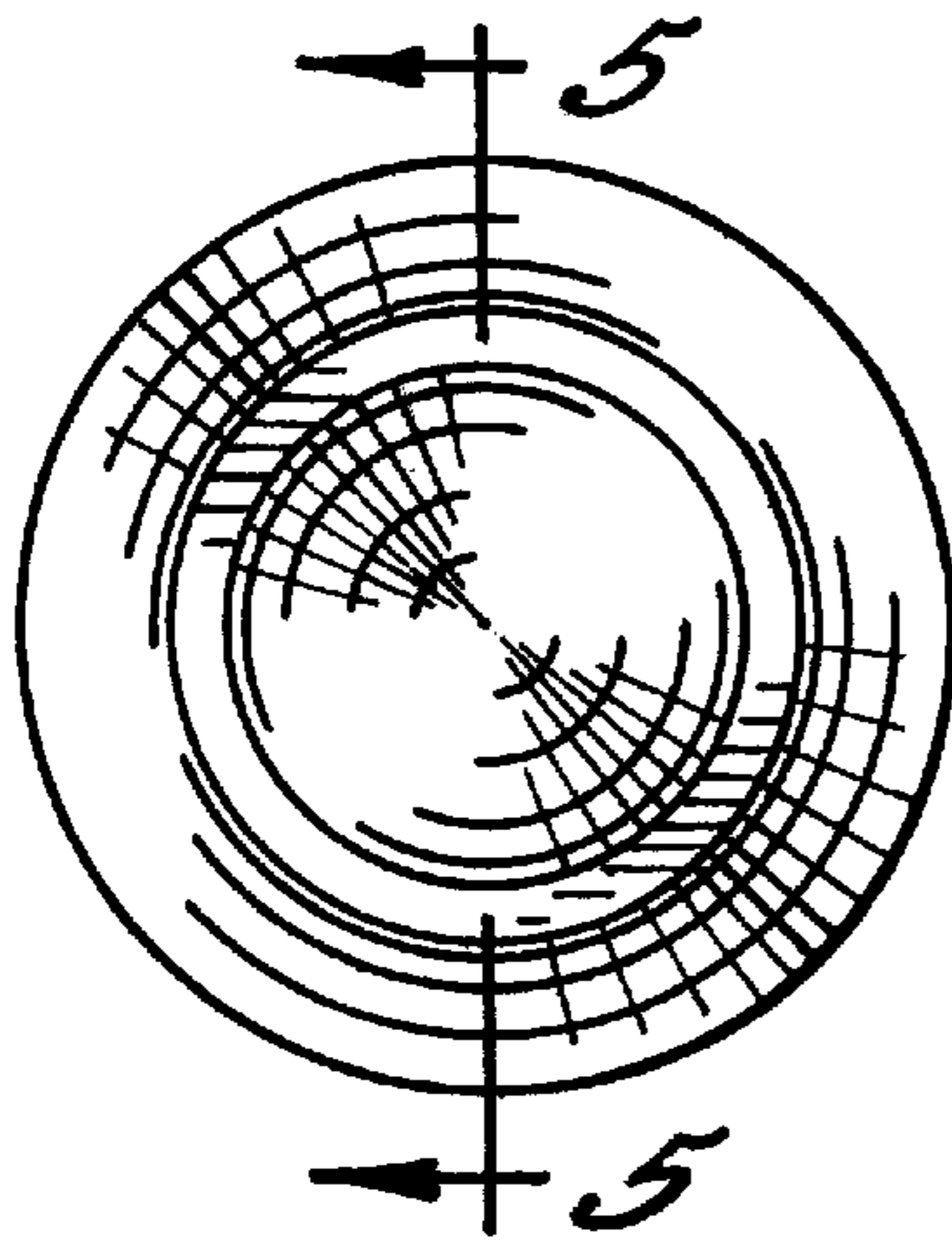


FIG. 3.

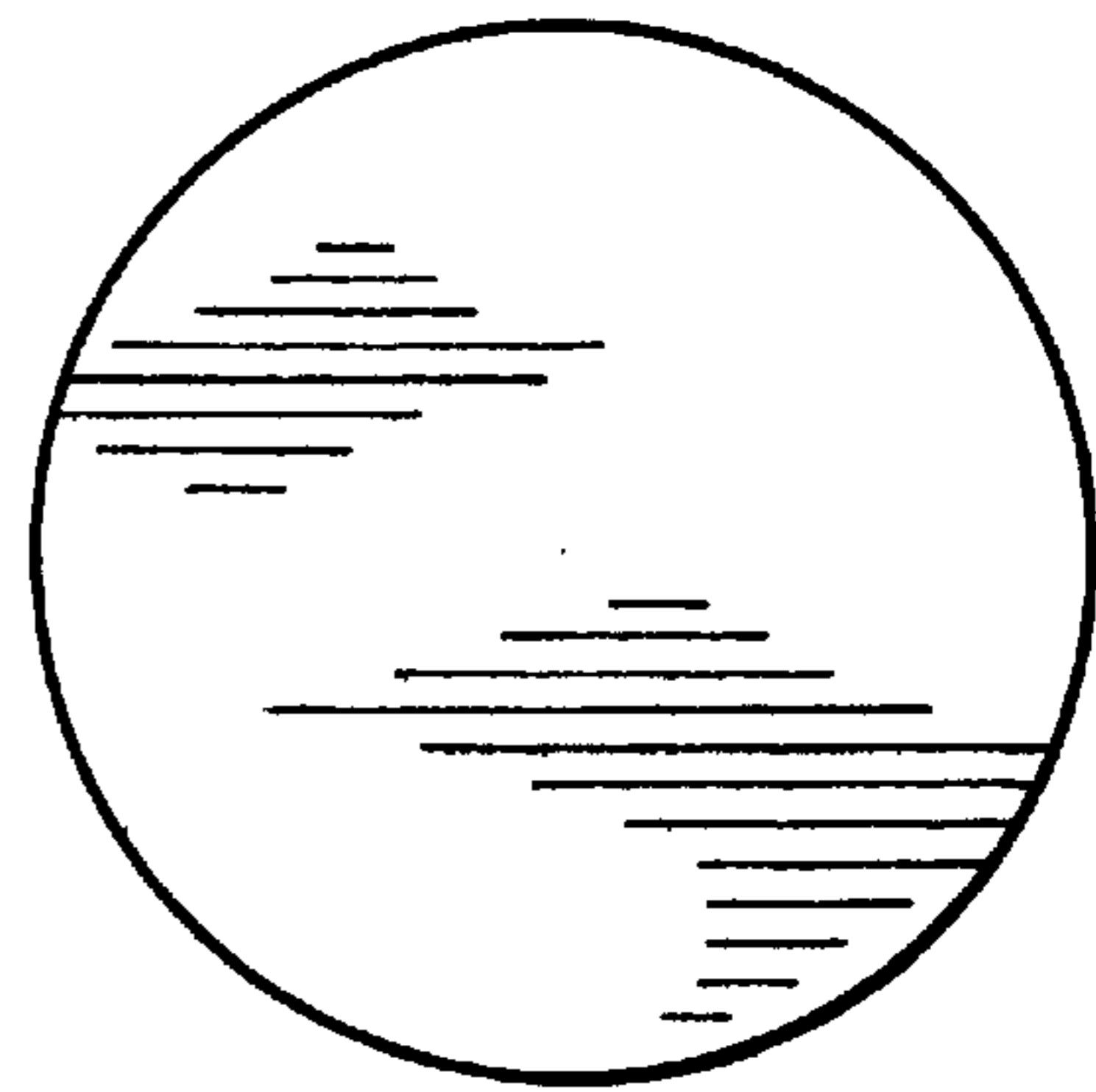


FIG. 4.

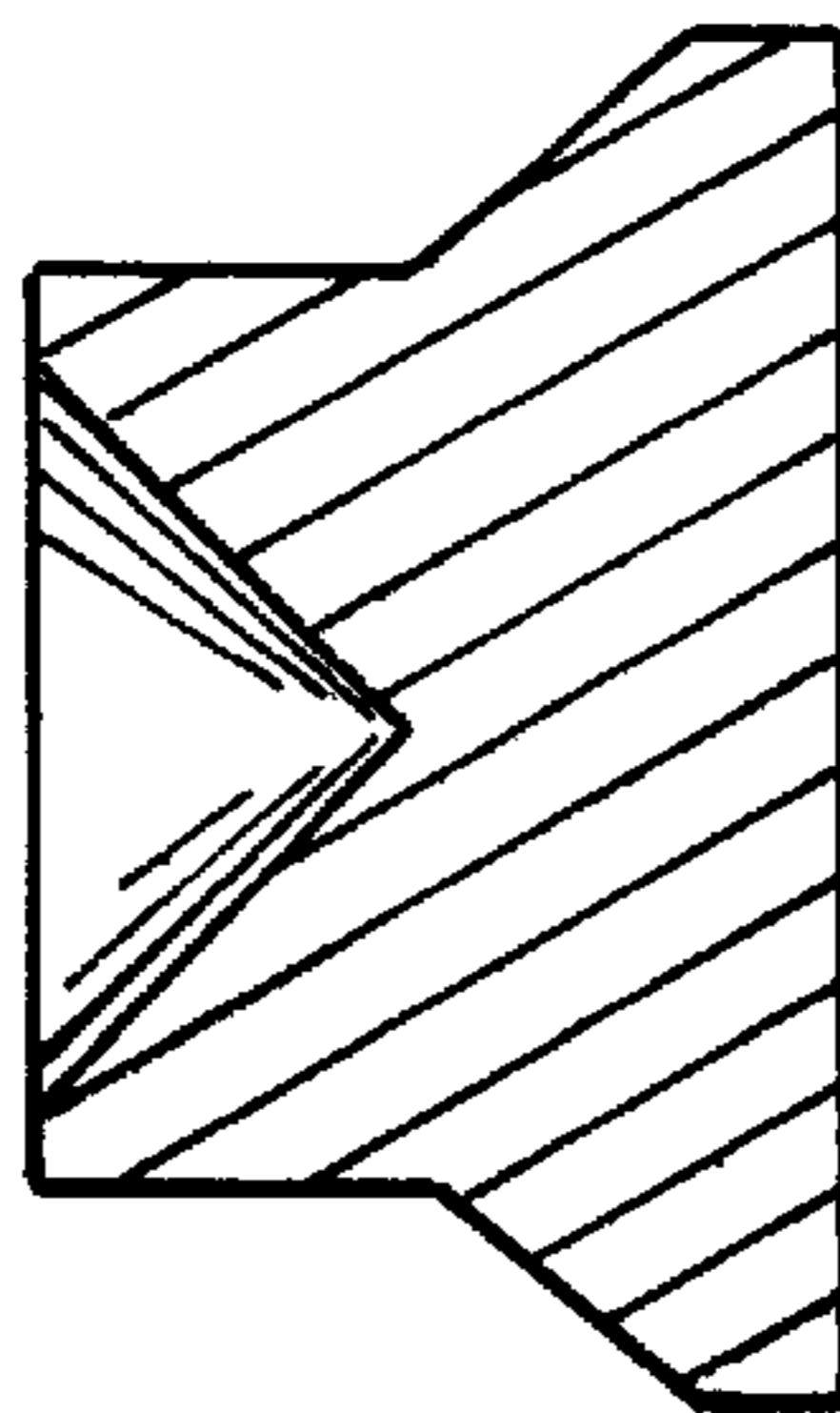


FIG. 5.