



US00D442184S

(12) **United States Design Patent**  
**Lowenstein**

(10) **Patent No.:** **US D442,184 S**

(45) **Date of Patent:** **\*\* May 15, 2001**

(54) **COMPACT AND MINI DISK**

(75) Inventor: **Rod Lowenstein**, Jericho, NY (US)

(73) Assignee: **Shape CD, Inc.**, New York, NY (US)

(\*\*) Term: **14 Years**

(21) Appl. No.: **29/114,003**

(22) Filed: **Nov. 16, 1999**

(51) **LOC (7) Cl.** ..... **14-99**

(52) **U.S. Cl.** ..... **D14/478**

(58) **Field of Search** ..... D14/474, 478-80;  
D19/9, 10; 360/133, 135, 97.01-99.12;  
395/186; 369/272, 273, 280, 282-8

(56) **References Cited**

**U.S. PATENT DOCUMENTS**

- D. 394,648 \* 5/1998 Rohde .
- D. 419,151 \* 1/2000 Lowenstein .
- D. 419,152 \* 1/2000 Lowenstein .
- D. 421,427 \* 3/2000 Siegel .

- 5,740,155 \* 4/1998 Spector .
- 5,751,671 \* 5/1998 Koike et al. .
- 5,882,555 \* 3/1999 Rohde et al. .
- 5,982,736 \* 11/1999 Pierson .

\* cited by examiner

*Primary Examiner*—M. H. Tung

(74) *Attorney, Agent, or Firm*—McGlew and Tuttle, P.C.

(57) **CLAIM**

The ornamental design for a compact and mini disk, as shown and described.

**DESCRIPTION**

FIG. 1 is a top plan view of a compact and mini disk showing my new design;  
FIG. 2 is a bottom plan view thereof;  
FIG. 3 is a front view thereof;  
FIG. 4 is a back view thereof; and,  
FIG. 5 is a left side view thereof, the right side being a mirror image thereof.

**1 Claim, 3 Drawing Sheets**

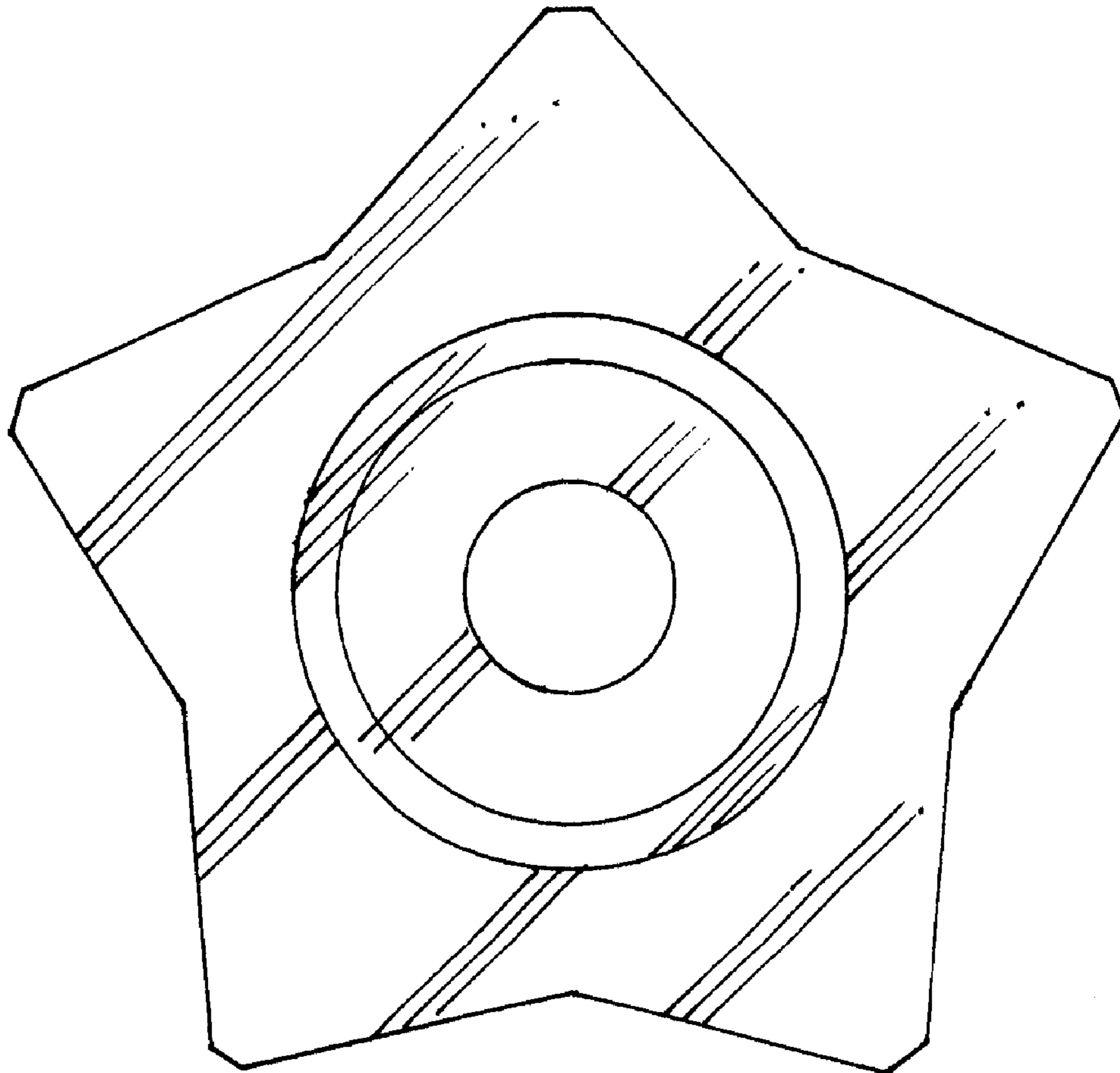


Fig. 1

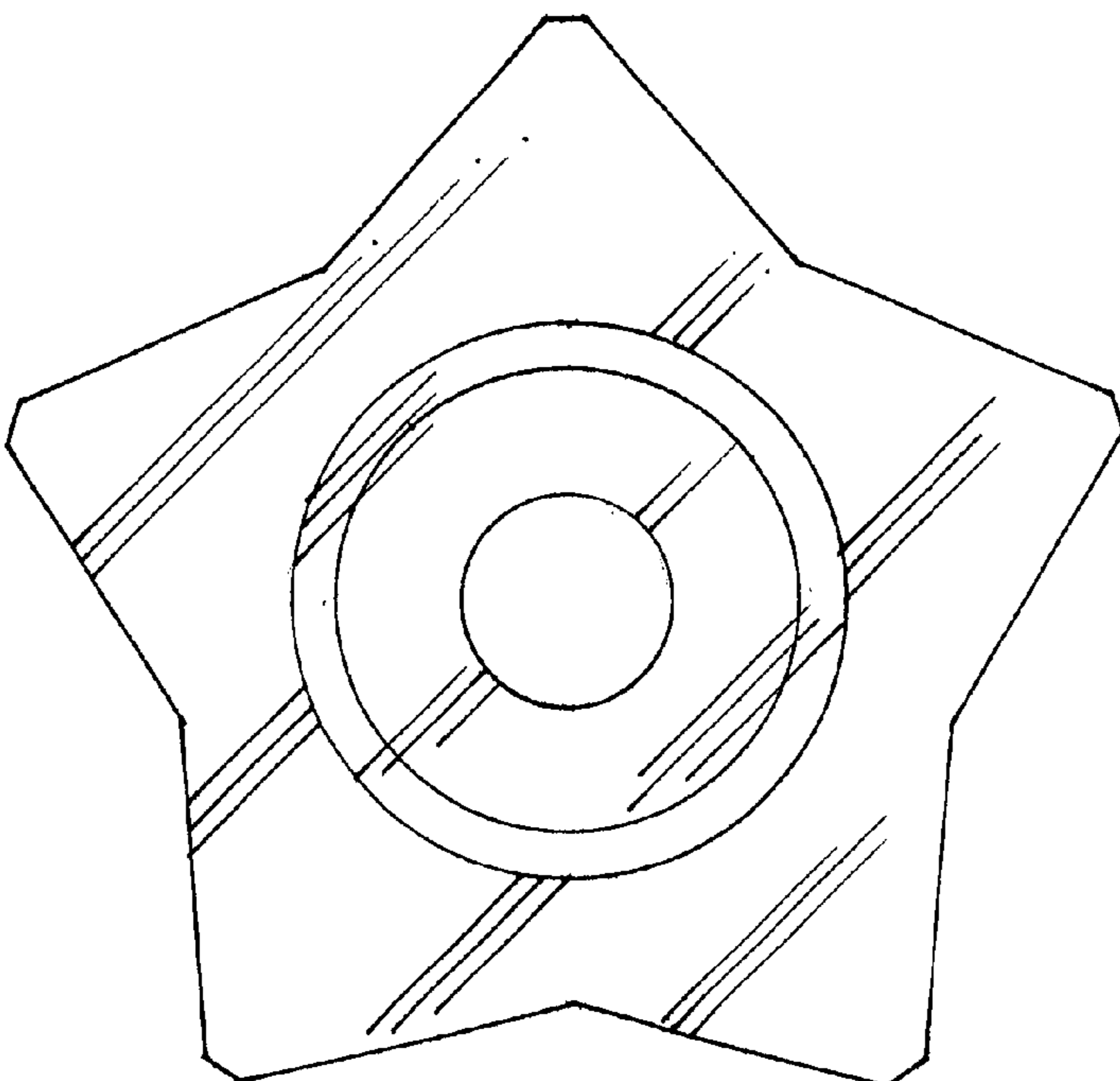
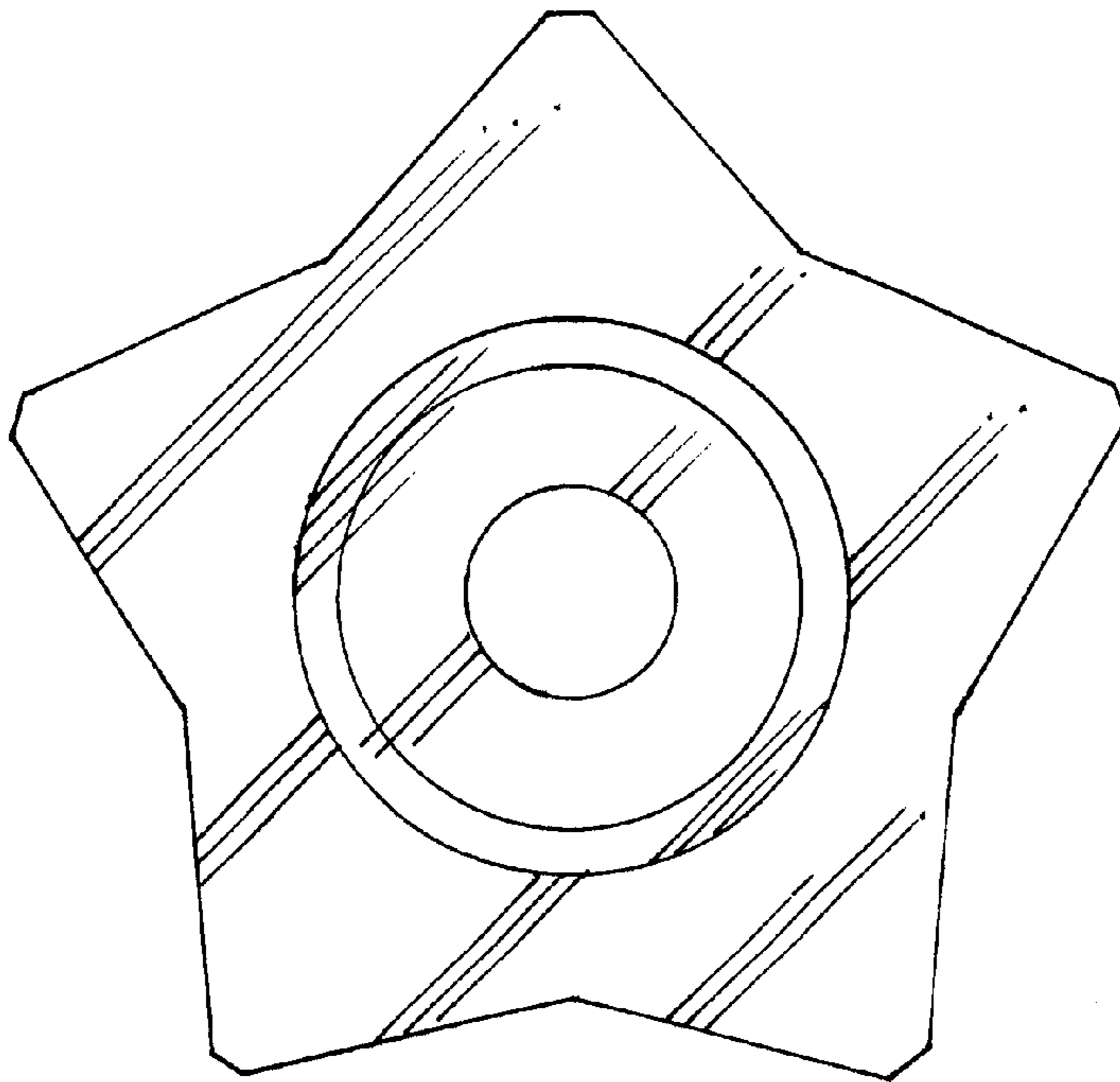


Fig. 2

Fig. 3



Fig. 4



Fig. 5

