



US00D442179S

(12) **United States Design Patent** (10) **Patent No.:** **US D442,179 S**  
**Alviar et al.** (45) **Date of Patent:** **\*\* May 15, 2001**

(54) **PORTION OF A JOYSTICK HANDLE**

6,128,002 \* 10/2000 Leiper ..... 345/161

(75) Inventors: **Christopher G. Alviar; Melissa S. Jacobson; Thomas W. Brooks**, all of Seattle, WA (US); **I-Chiang Sun**, Portland, OR (US)

**OTHER PUBLICATIONS**

Codes and Procedures of the Warrior Caste, Appendix A — Default Control Configuration Systems, Mech Warrior 2, *CH Joystick, Microsoft Sidewinder, and Phoenix System*, 2 pages, Jul., 1995.  
Circuit City Advertisement, *GARVIS Blackhawk*, 1 page, Jul., 1999.  
Hardware, Logitech Targets Joysticks (*WingMan Extreme*), 1 page, Aug., 1994.  
PC Gamer, *They're Not Just for Mice Anymore (Wingman Extreme, and The WingMan)*, p. 28, Oct. 1994.  
<http://www.logitech.com/cf/products/productoverview.cfm/23>, *WingMan® Attack™*, 1 page, 1999.

(73) Assignee: **Microsoft Corporation**, Redmond, WA (US)

(\*\*) Term: **14 Years**

\* cited by examiner

(21) Appl. No.: **29/119,273**

(22) Filed: **Feb. 29, 2000**

(51) **LOC (7) Cl.** ..... **14-02**

(52) **U.S. Cl.** ..... **D14/412**

(58) **Field of Search** ..... D14/400, 401, D14/412-416; D21/324, 333; 273/148 B; 463/1, 30, 36-38, 46, 47; 345/156-161, 905

*Primary Examiner*—Prabhakar Deshmukh  
(74) *Attorney, Agent, or Firm*—Banner & Witcoff, Ltd.

(57) **CLAIM**

(56) **References Cited**

The ornamental design for a portion of a joystick handle, as shown and described.

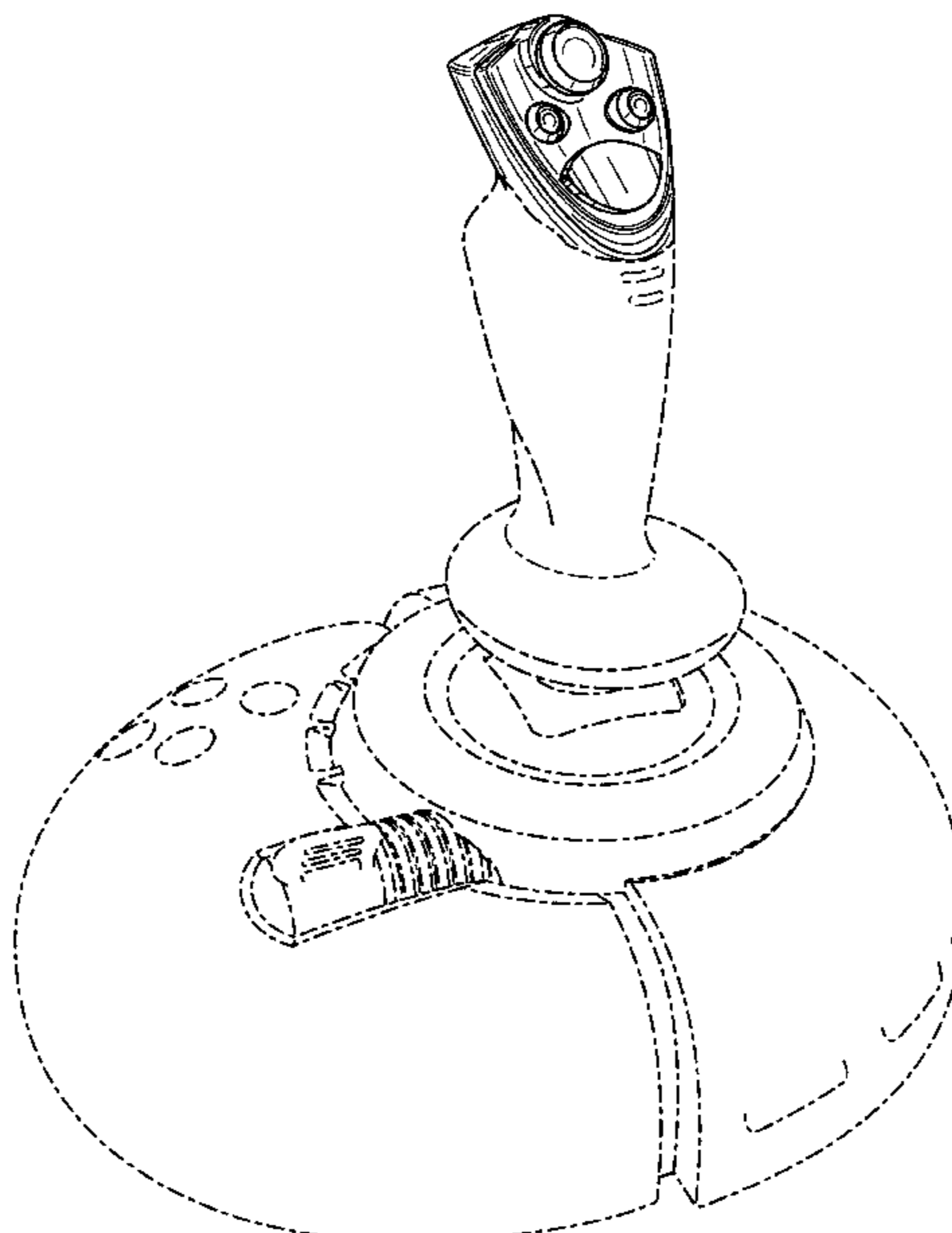
**U.S. PATENT DOCUMENTS**

**DESCRIPTION**

- D. 347,028 \* 5/1994 Galden ..... D14/412
- D. 354,092 1/1995 Ho .
- D. 369,835 \* 5/1996 Couch et al.d ..... D14/416
- D. 371,773 \* 7/1996 Sanchez et al. .... D14/412
- D. 374,218 10/1996 Sanchez et al. .
- D. 377,056 \* 12/1996 Salinas ..... D14/416
- D. 396,899 \* 8/1998 Kaneko et al. .... D14/416
- D. 425,883 5/2000 Zoerkendoerfer et al. .
- D. 428,890 8/2000 Zoerkendoerfer et al. .
- 4,491,325 \* 1/1985 Bersheim ..... 463/38
- 4,509,383 \* 4/1985 Yeh ..... 463/38
- 5,566,586 \* 10/1996 Lauer et al. .... 273/148 B
- 5,607,158 \* 3/1997 Chan ..... 463/38
- 5,610,631 \* 3/1997 Bouton et al. .... 273/148 B
- 5,749,577 \* 5/1998 Couch et al. .... 273/148 B

FIG. 1 is a perspective view of the portion of a joystick handle showing our new design;  
FIG. 2 is a right side elevational view thereof;  
FIG. 3 is a left side elevational view thereof;  
FIG. 4 is a front elevational view thereof;  
FIG. 5 is a rear elevational view thereof;  
FIG. 6 is a top plan view thereof; and,  
FIG. 7 is a bottom plan view thereof.  
The broken line showing of the remainder of the handle in FIGS. 1-7 and the joystick base in FIG. 1 is for illustrative purposes only and forms no part of the claimed design.

**1 Claim, 4 Drawing Sheets**



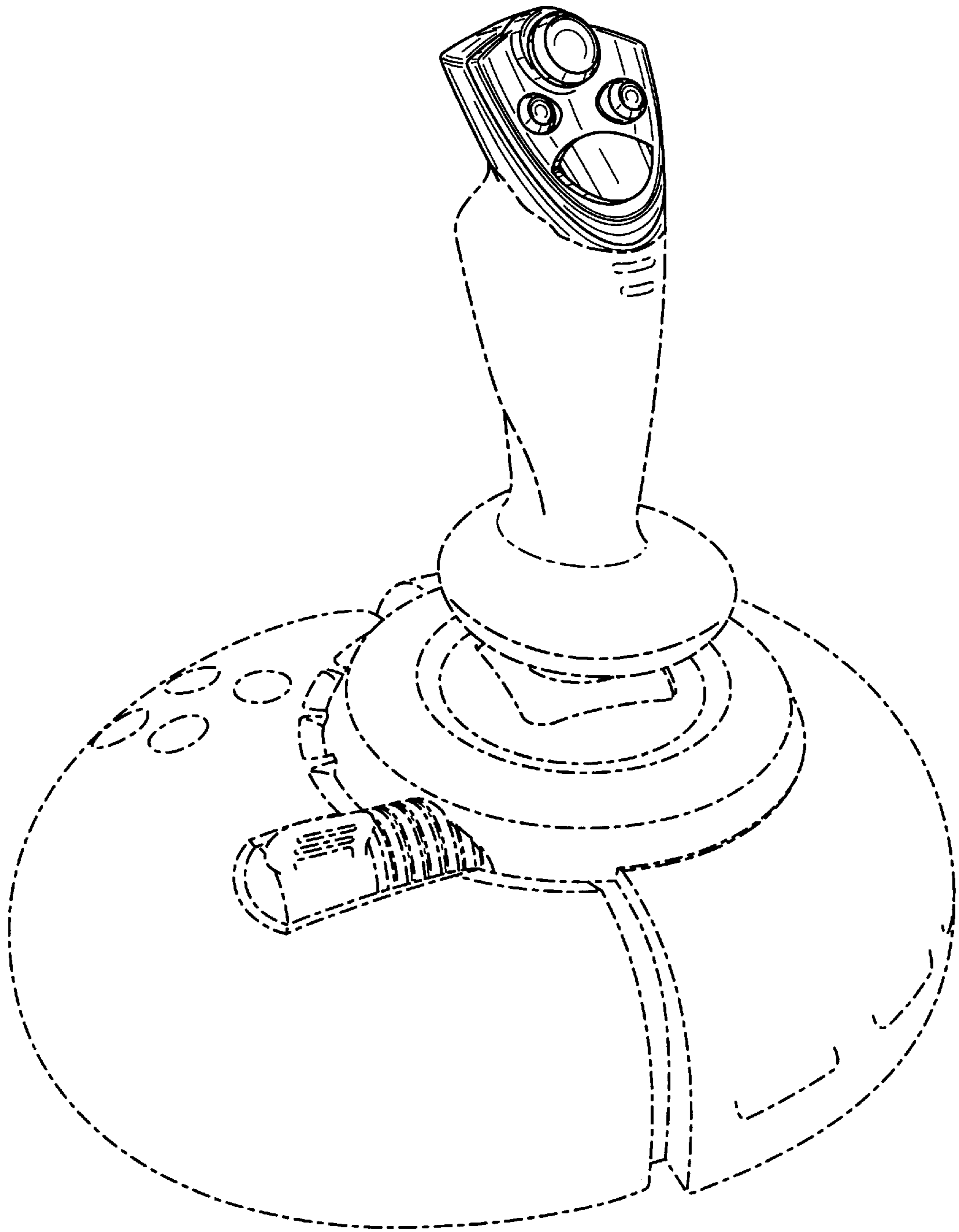


FIG. 1

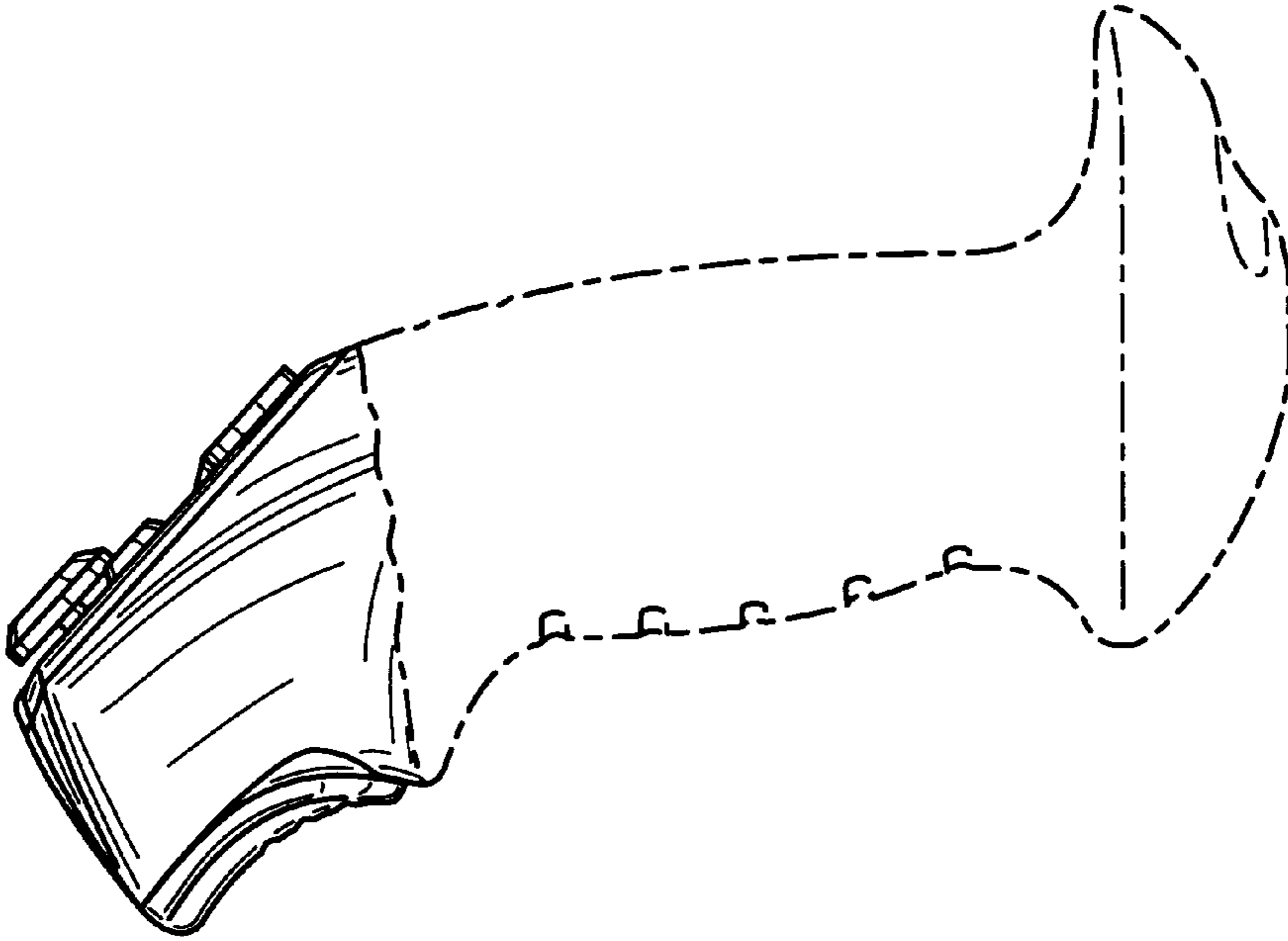


FIG. 3

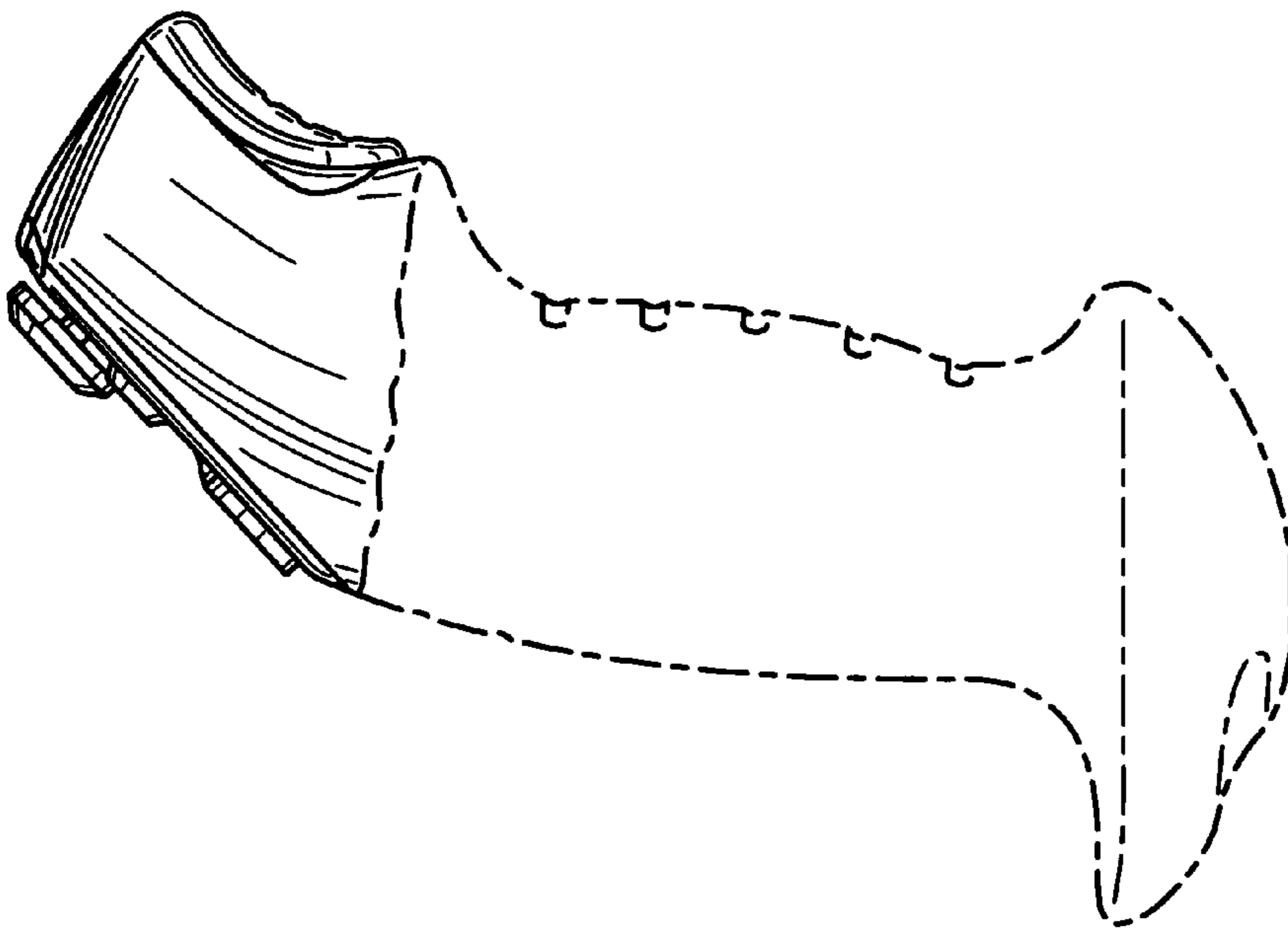


FIG. 2

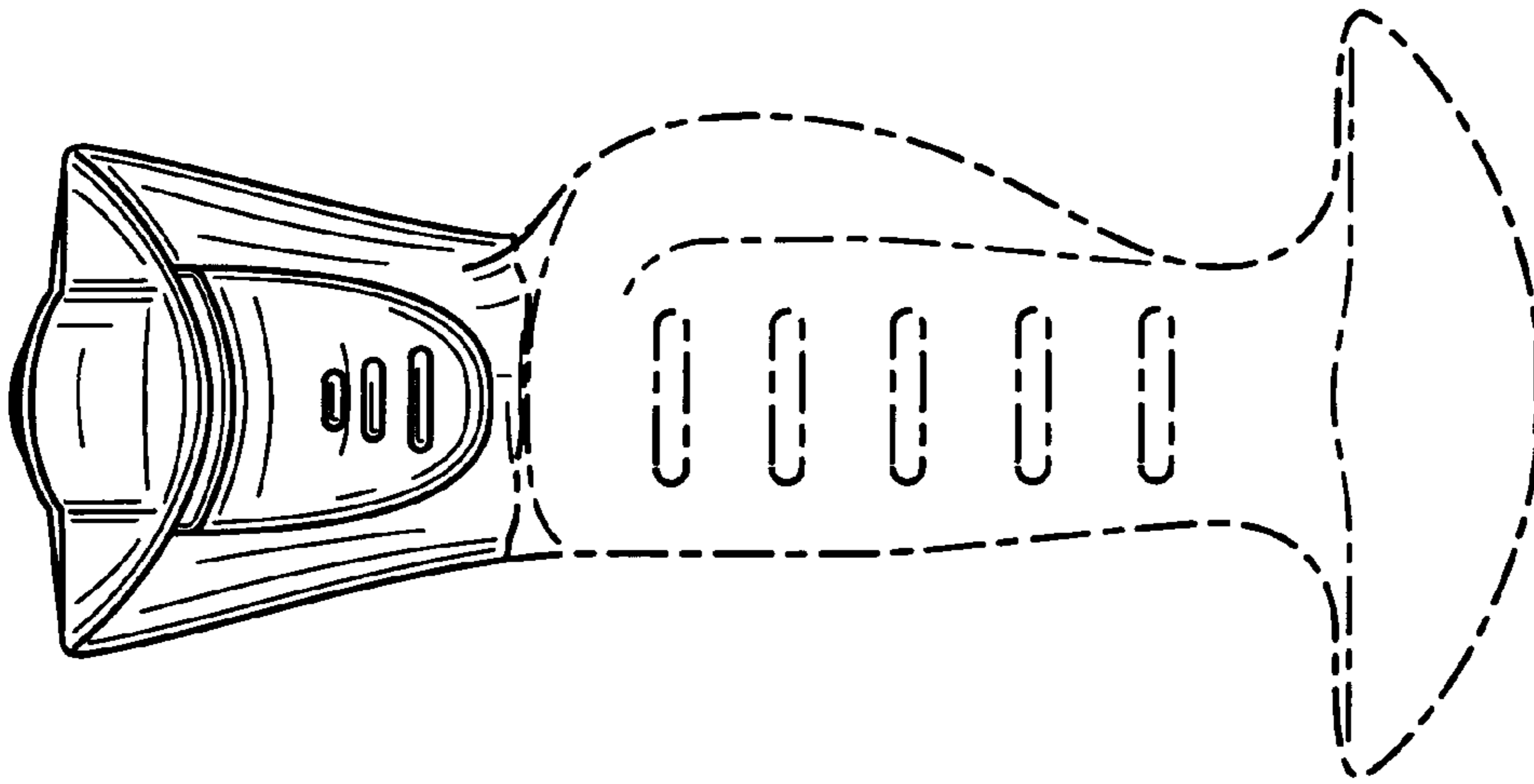


FIG. 5

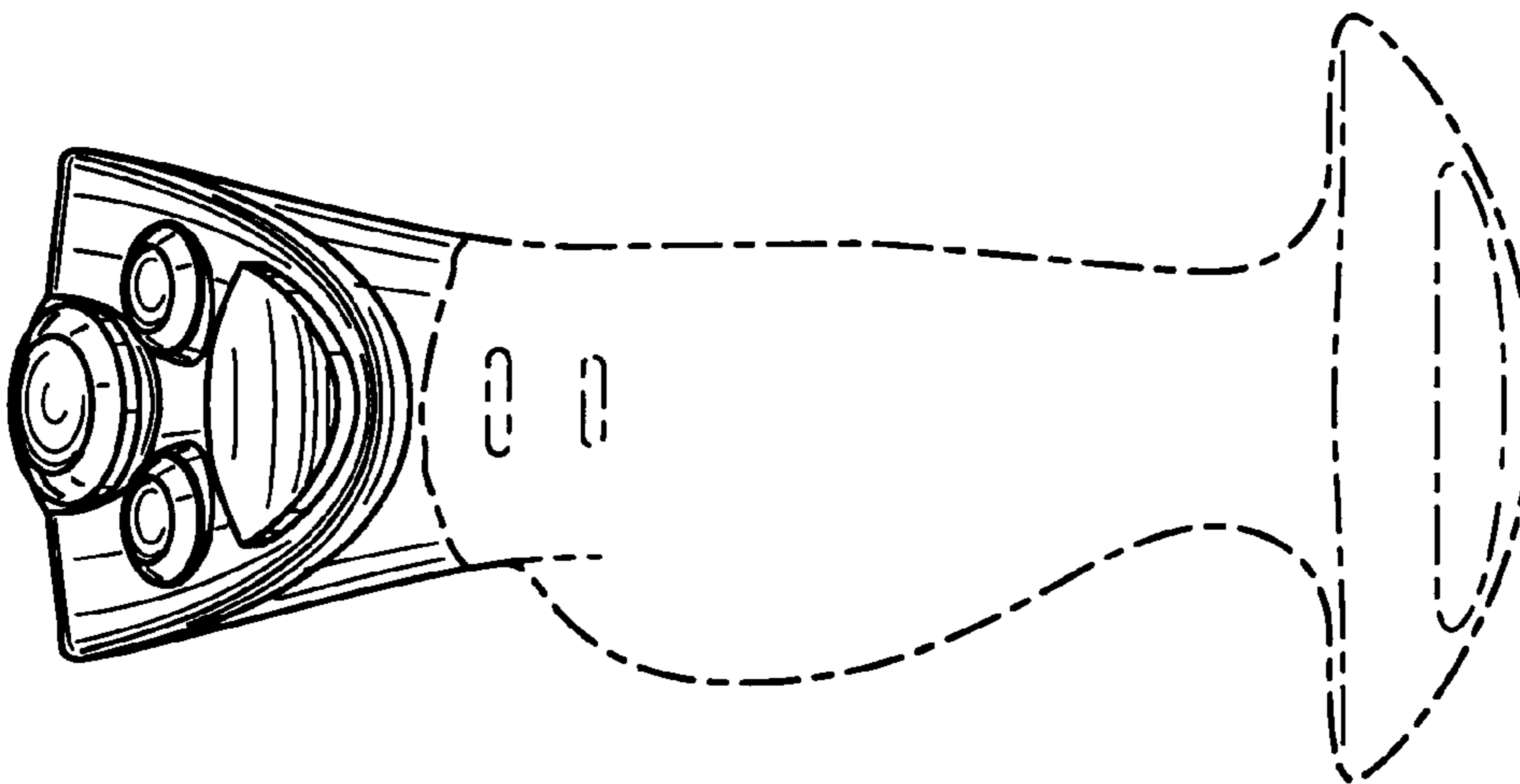


FIG. 4

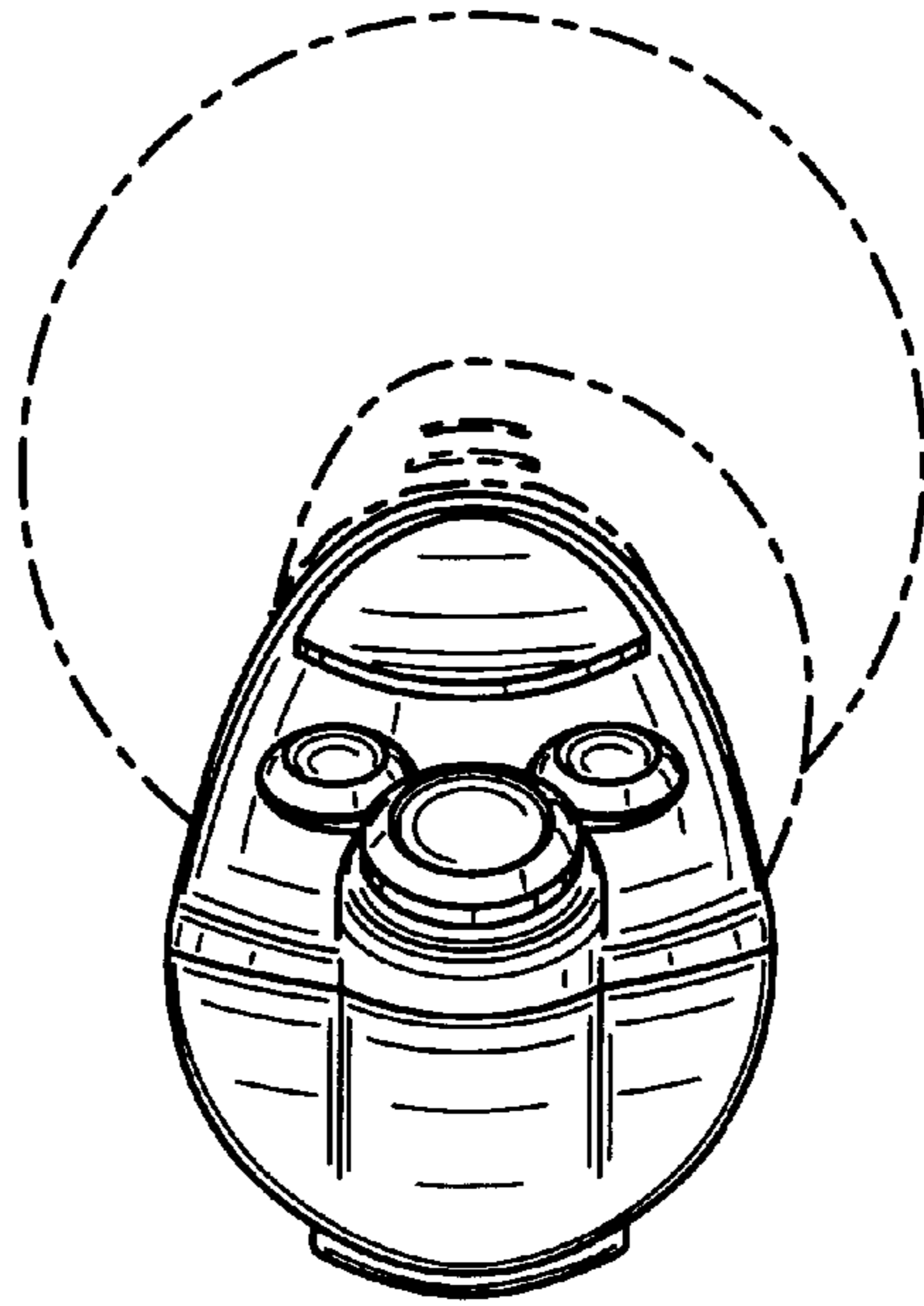


FIG. 6

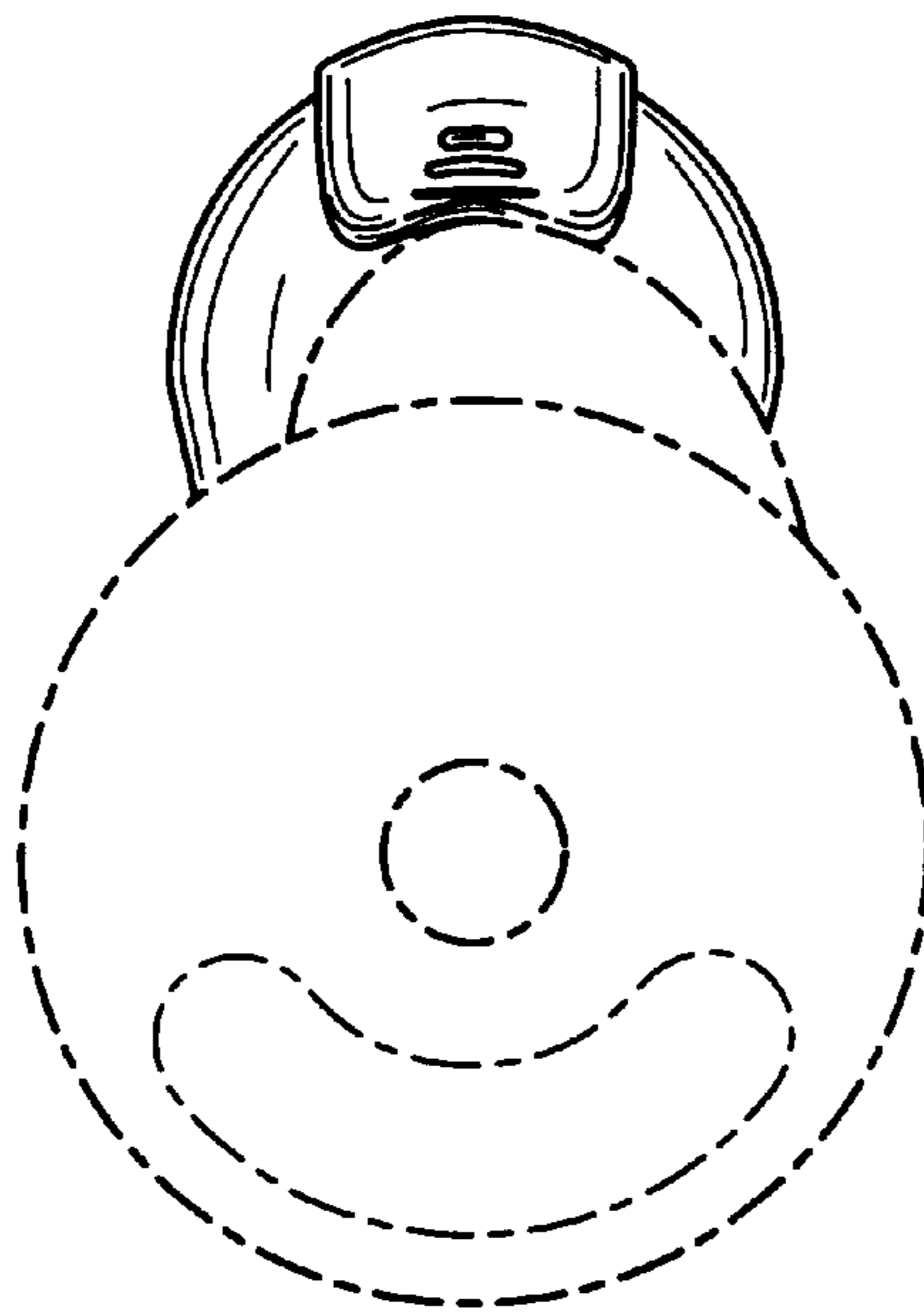


FIG. 7