



US00D442176S

(12) **United States Design Patent**  
**Wolff et al.**

(10) **Patent No.:** **US D442,176 S**

(45) **Date of Patent:** **\*\* May 15, 2001**

(54) **MINITOWER COMPUTER**

(75) Inventors: **Stacy L. Wolff**, Cypress; **Kevin L. Massaro**, Houston; **Philip Leveridge**, Austin; **Lance Haley**, Austin; **Manoj K. Mistry**, Austin, all of TX (US)

(73) Assignee: **Compaq Computer Corporation**, Houston, TX (US)

(\*\*) Term: **14 Years**

(21) Appl. No.: **29/125,018**

(22) Filed: **Jun. 15, 2000**

(51) **LOC (7) Cl.** ..... **14-02**

(52) **U.S. Cl.** ..... **D14/349**

(58) **Field of Search** ..... D14/348, 349, D14/351, 352, 353, 354; D13/162, 184, 199; 312/223.2; 360/99.12; 361/690-696; 369/34, 36

(56) **References Cited**

**U.S. PATENT DOCUMENTS**

- D. 370,467 \* 6/1996 Barthelemy et al. .... D14/349
- D. 384,943 10/1997 Brezovar ..... D14/349
- D. 393,248 4/1998 Lin ..... D14/351
- D. 396,227 7/1998 Poole et al. .... D14/441

- D. 396,461 7/1998 Su ..... D14/444
- D. 401,569 11/1998 Massaro ..... D14/352
- D. 405,432 2/1999 Massaro ..... D14/352
- D. 417,441 \* 12/1999 Massaro et al. .... D14/351
- D. 424,531 5/2000 Wolff et al. .... D14/351

\* cited by examiner

*Primary Examiner*—Freda Nunn

(74) *Attorney, Agent, or Firm*—Akin, Gump, Strauss, Hauer & Feld, LLP

(57) **CLAIM**

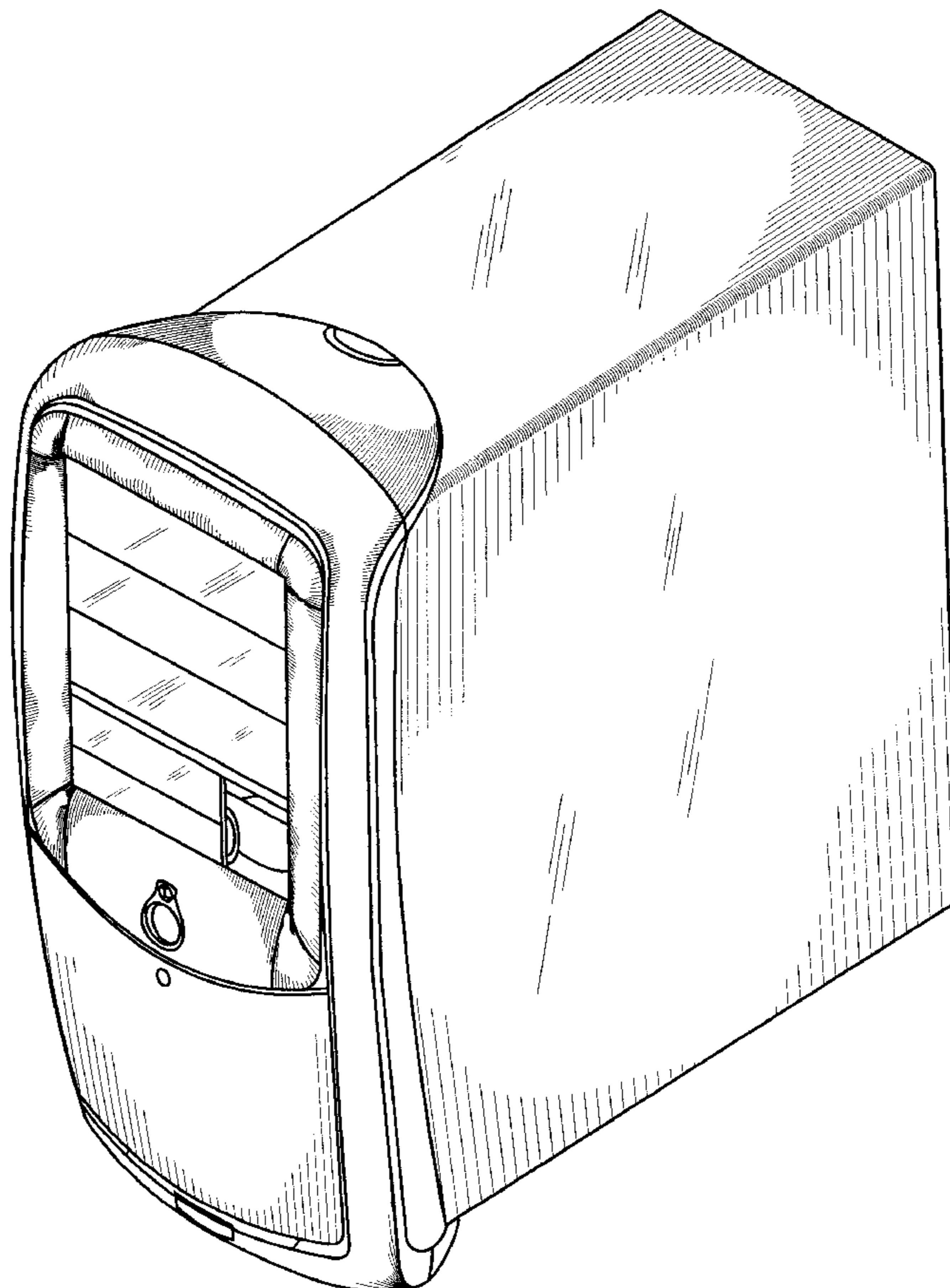
The ornamental design for a minitower computer, as shown and described.

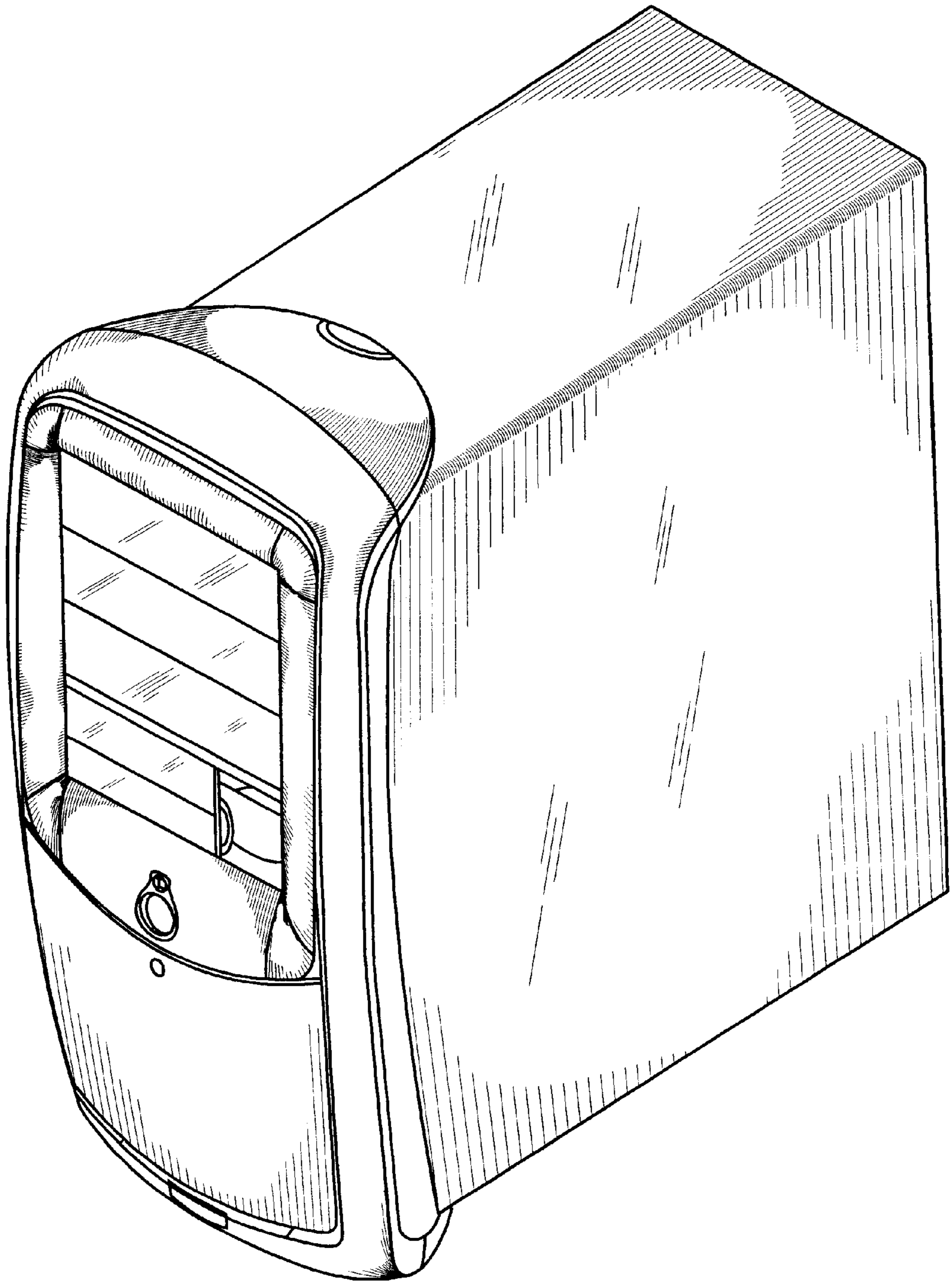
**DESCRIPTION**

FIG. 1 is a front, top and right-side perspective view of a minitower computer showing our new design; FIG. 2 is a front elevational view thereof; FIG. 3 is a top plan view thereof; FIG. 4 is a right-side elevational view thereof; FIG. 5 is a left-side elevational view thereof; and, FIG. 6 is a rear elevational view thereof.

The broken line showing the ports and connectors in FIG. 6 is for illustrative purposes only and forms no part of the claimed design.

**1 Claim, 6 Drawing Sheets**





**FIG. 1**

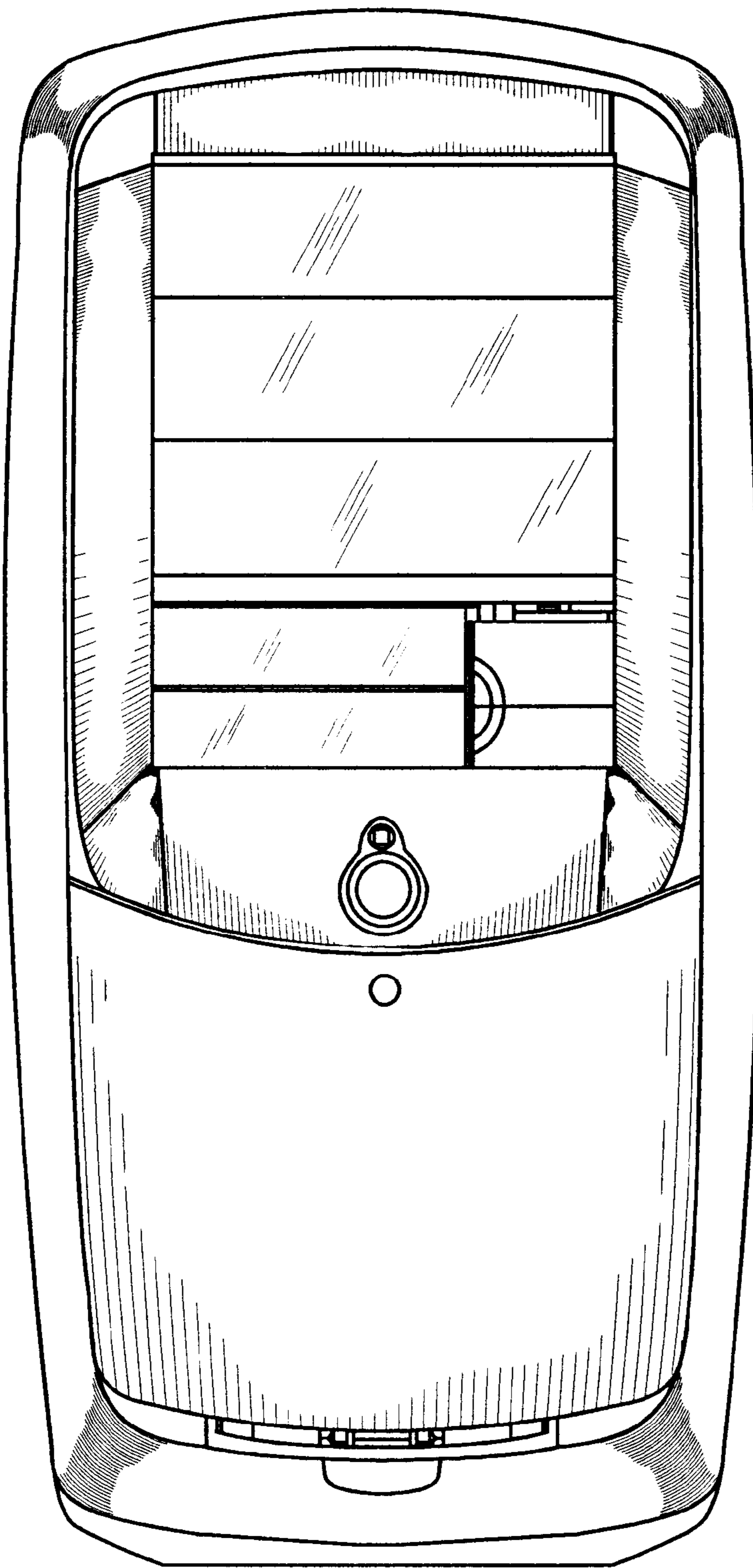
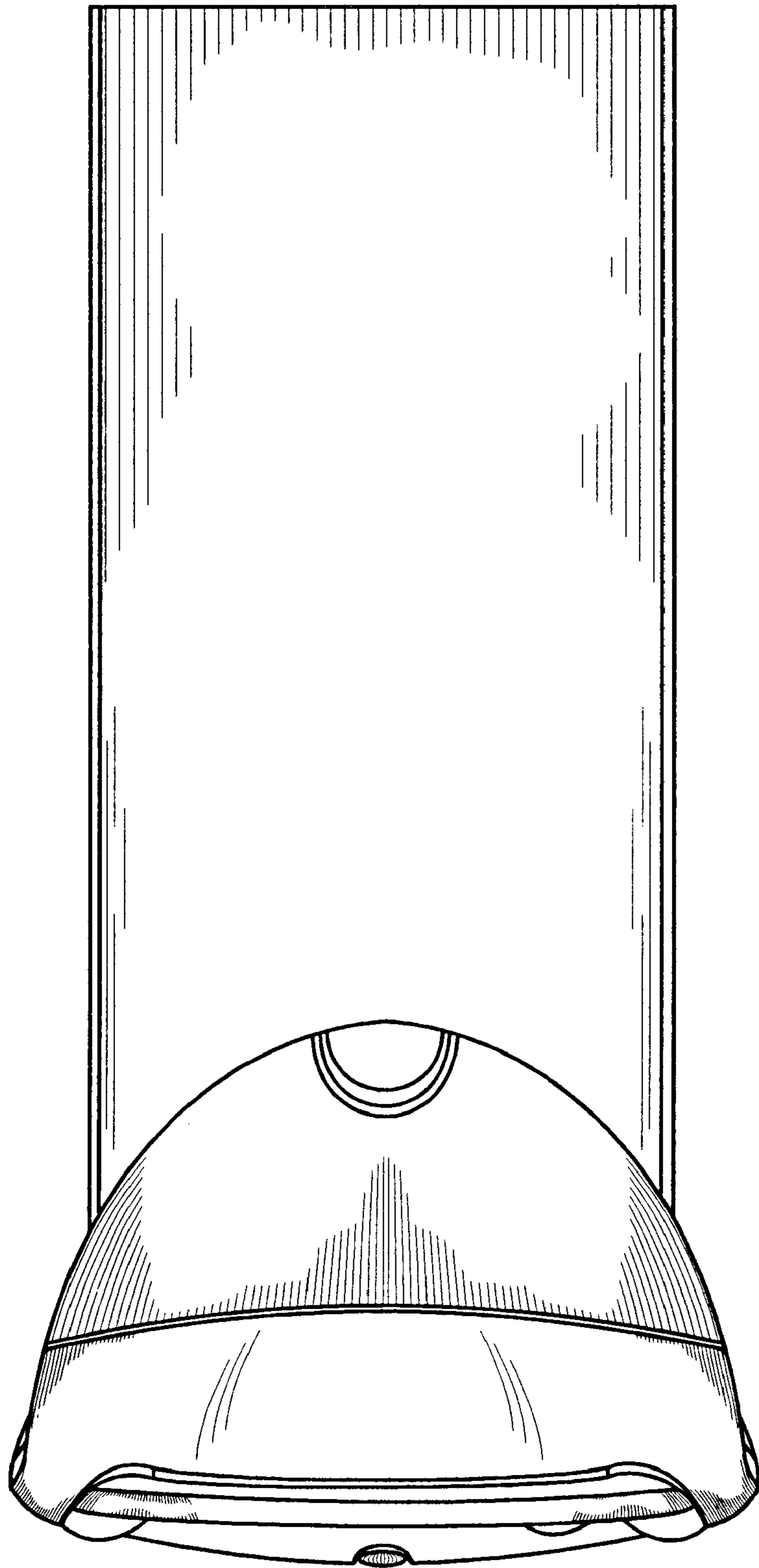


FIG. 2



**FIG. 3**



**FIG. 4**



**FIG. 5**

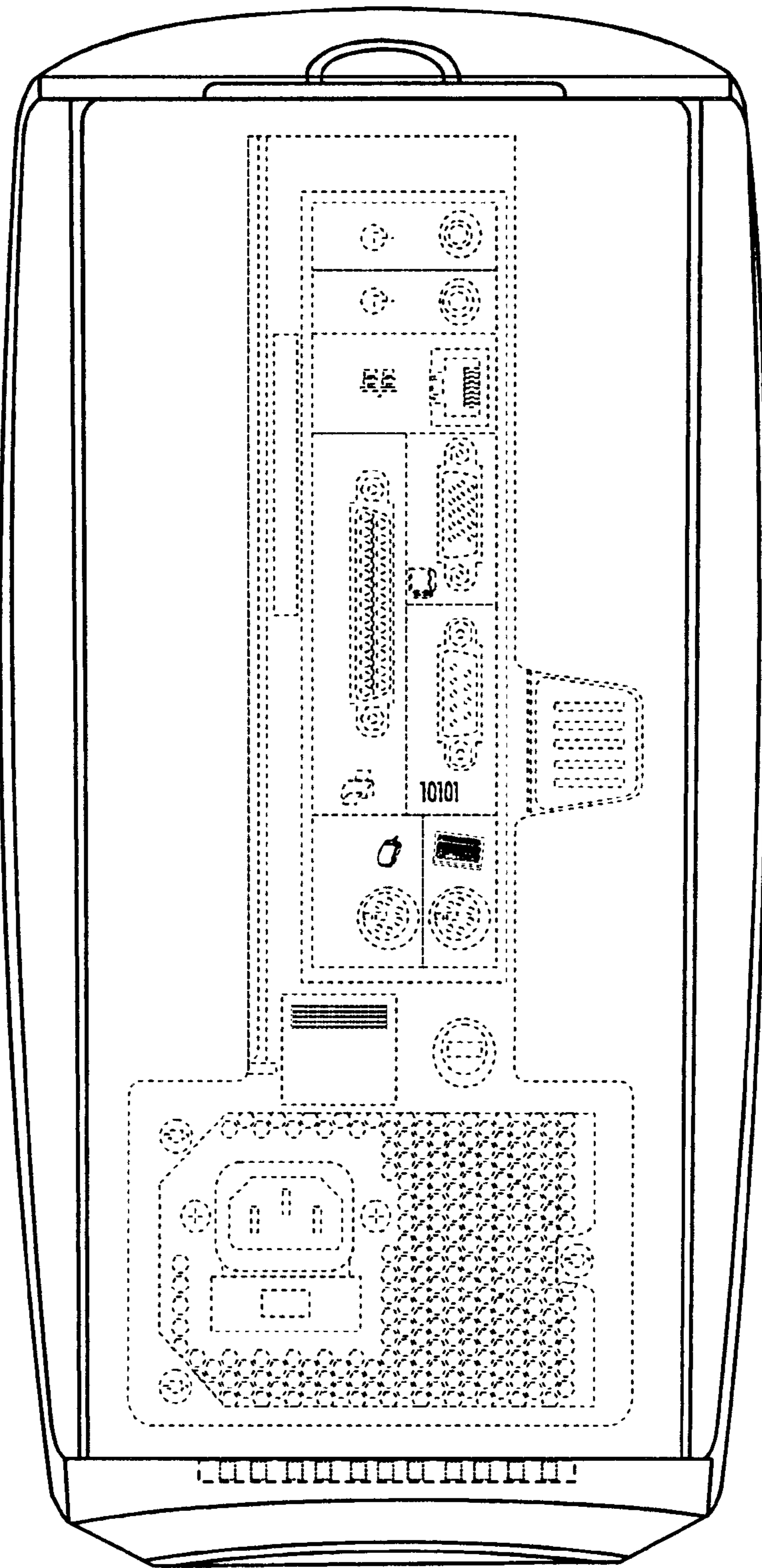


FIG. 6