



US00D442174S

(12) **United States Design Patent**
Chang

(10) **Patent No.:** **US D442,174 S**

(45) **Date of Patent:** **** May 15, 2001**

(54) **INTERNET APPLIANCE DEVICE**

(75) Inventor: **Shu Kuen Chang**, Chicago, IL (US)

(73) Assignee: **3Com Corporation**, Santa Clara, CA (US)

(**) Term: **14 Years**

(21) Appl. No.: **29/125,855**

(22) Filed: **Jun. 30, 2000**

(51) **LOC (7) Cl.** **14-02**

(52) **U.S. Cl.** **D14/343**

(58) **Field of Search** D14/341, 342,
D14/343, 374, 390, 126-129; 345/104,
133, 156, 168, 173; 348/180, 184, 325

(56) **References Cited**

U.S. PATENT DOCUMENTS

- D. 356,547 * 3/1995 Silva et al. D14/341
- D. 382,259 * 8/1997 Nagai et al. D14/374
- D. 385,857 * 11/1997 Cohen et al. D14/390
- D. 403,309 * 12/1998 Takemasa et al. D14/374
- D. 417,201 * 11/1999 Davis D14/343

* cited by examiner

Primary Examiner—Freda Nunn

(74) *Attorney, Agent, or Firm*—McDonnell Boehnen Hulbert & Berghoff

(57) **CLAIM**

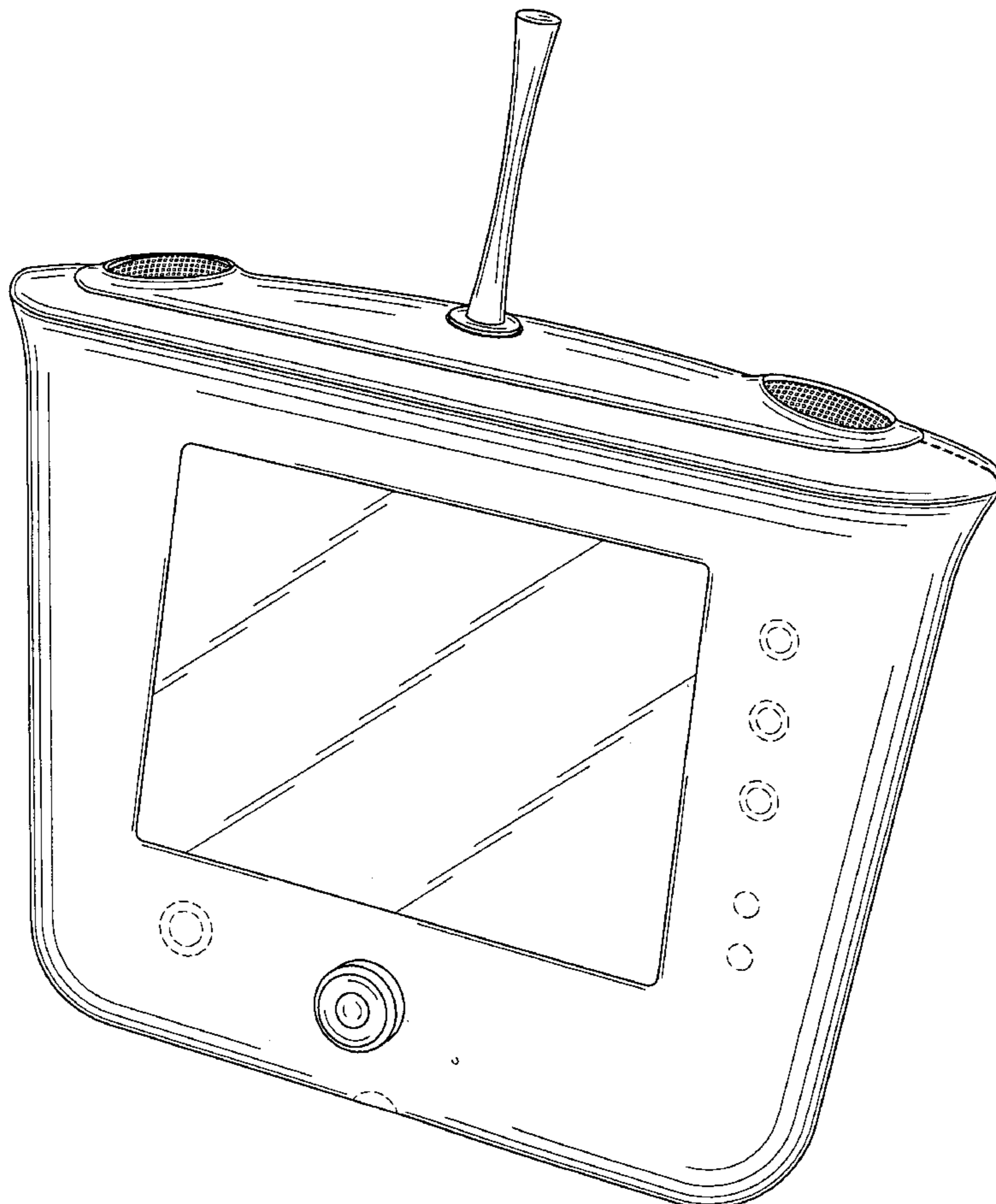
The ornamental design for an internet appliance device, as shown and described.

DESCRIPTION

FIG. 1 is a front view of the internet appliance device;
 FIG. 2 is a right side view of the internet appliance device;
 FIG. 3 is a back view of the internet appliance device;
 FIG. 4 is a left side view of the internet appliance device;
 FIG. 5 is a top view of the internet appliance device;
 FIG. 6 is a perspective view of the internet appliance device;
 and,
 FIG. 7 is a bottom view of the internet appliance device.

The broken line showings of the internet appliance device are for illustrative purposes only and form no part of the claimed design.

1 Claim, 7 Drawing Sheets



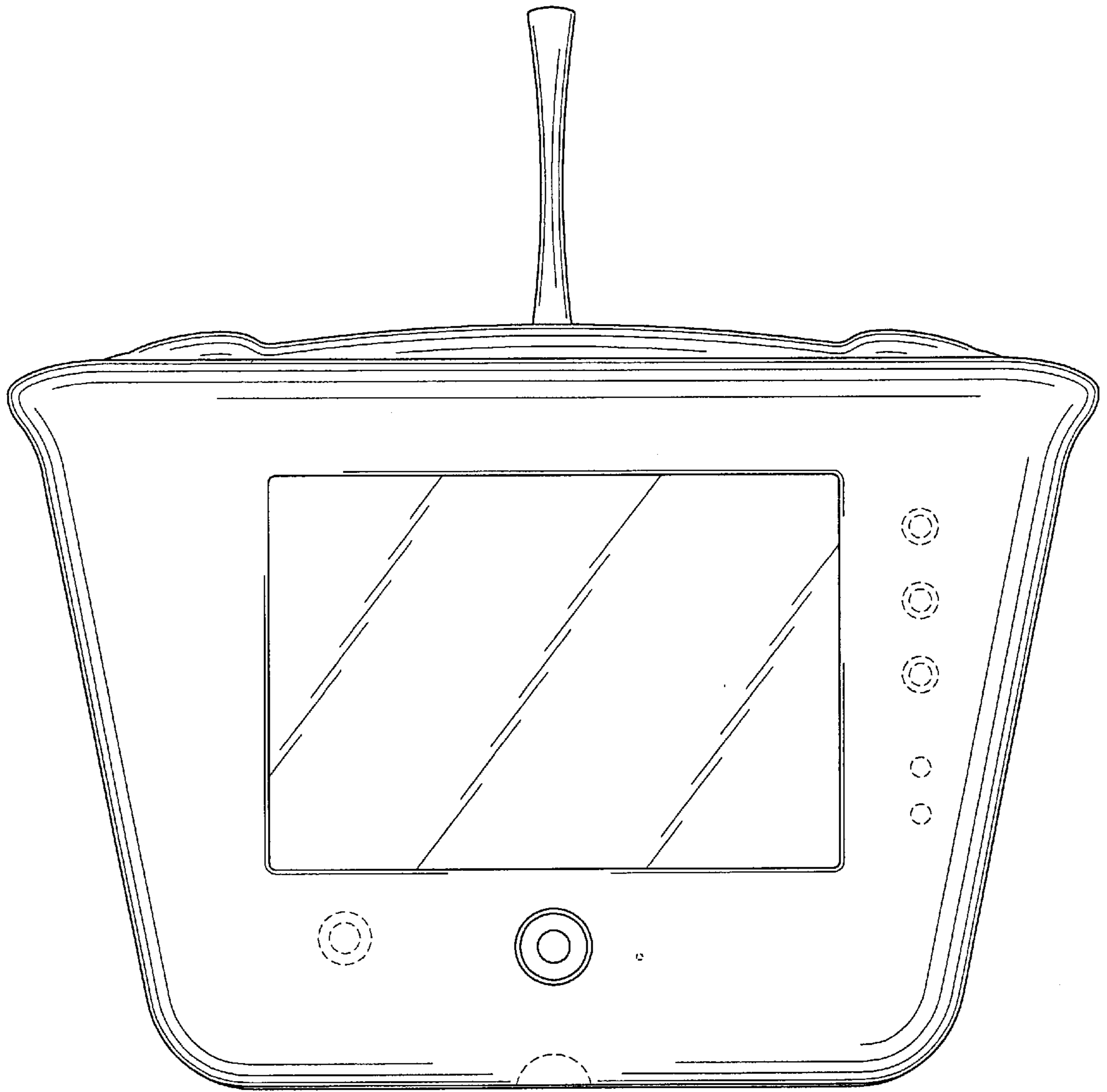


FIG. 1

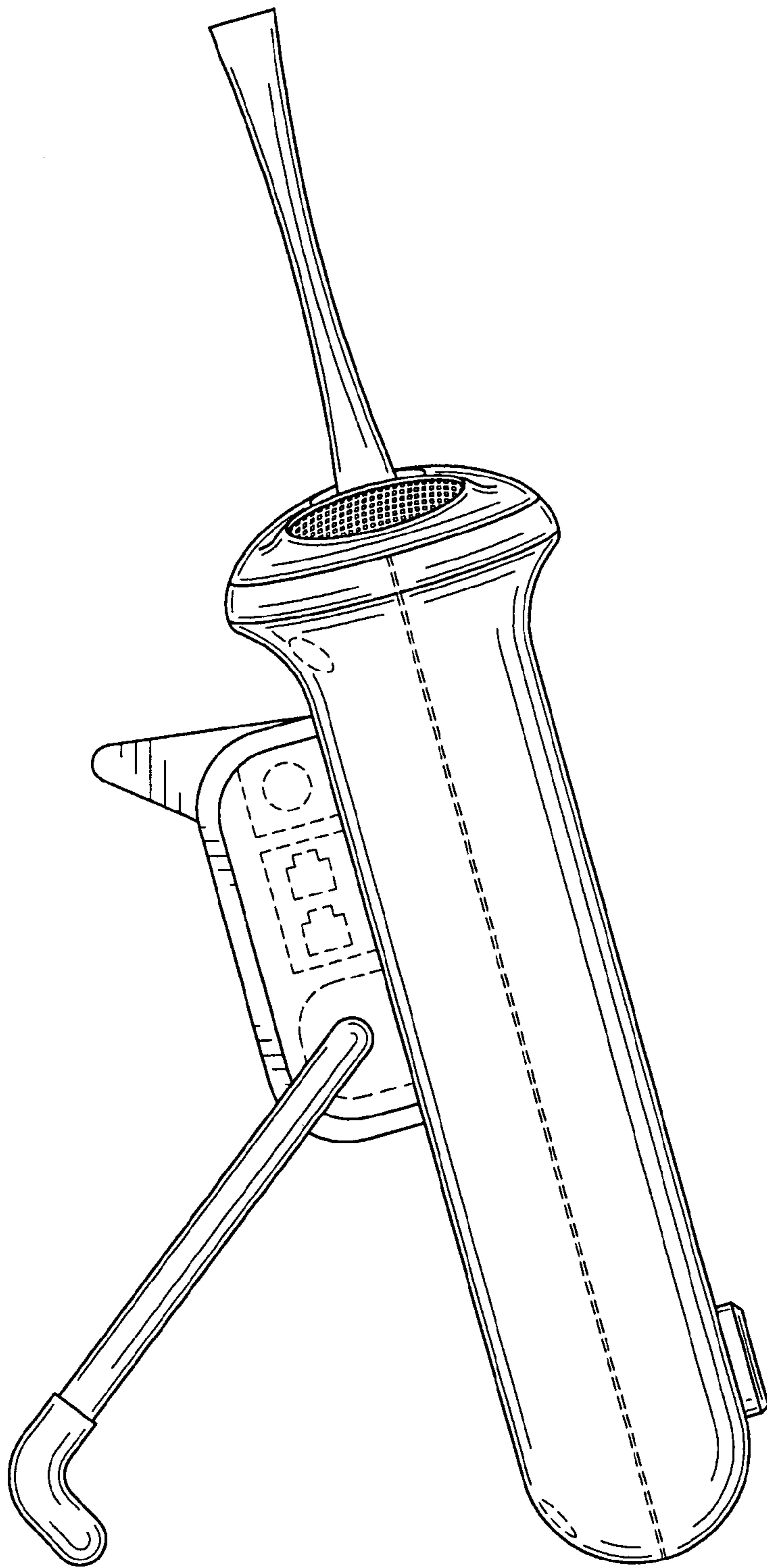


FIG. 2

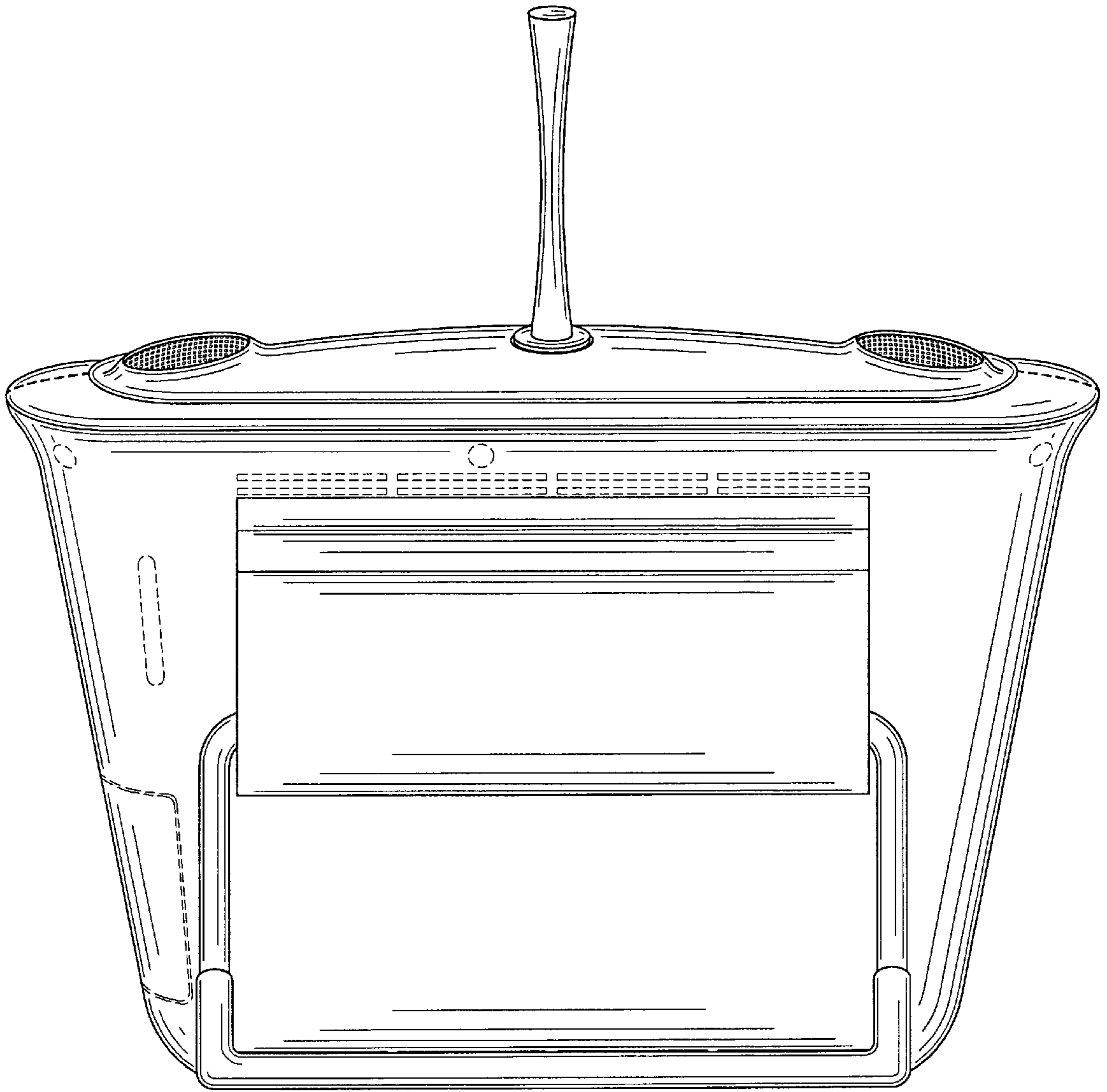


FIG. 3

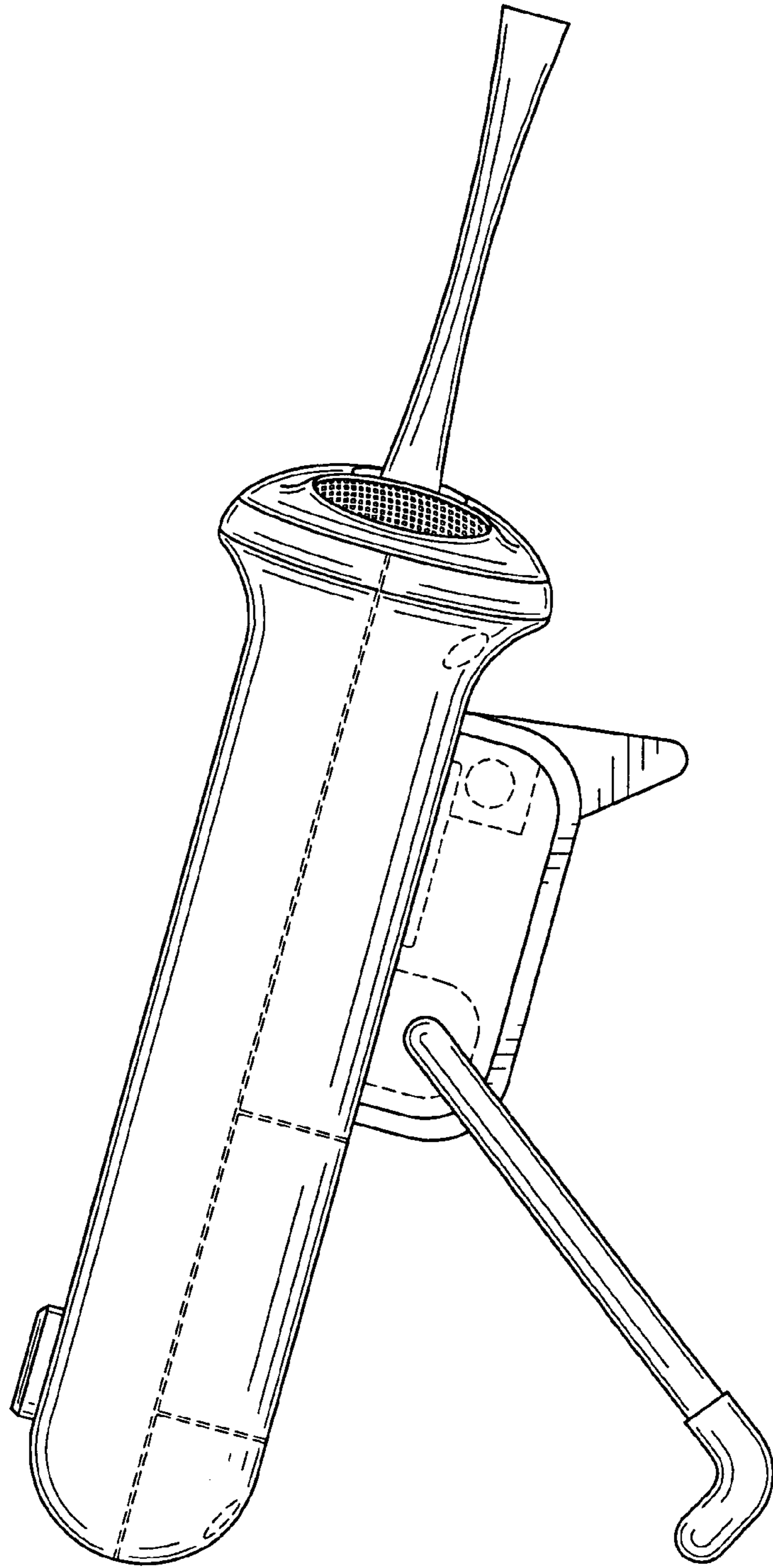


FIG. 4

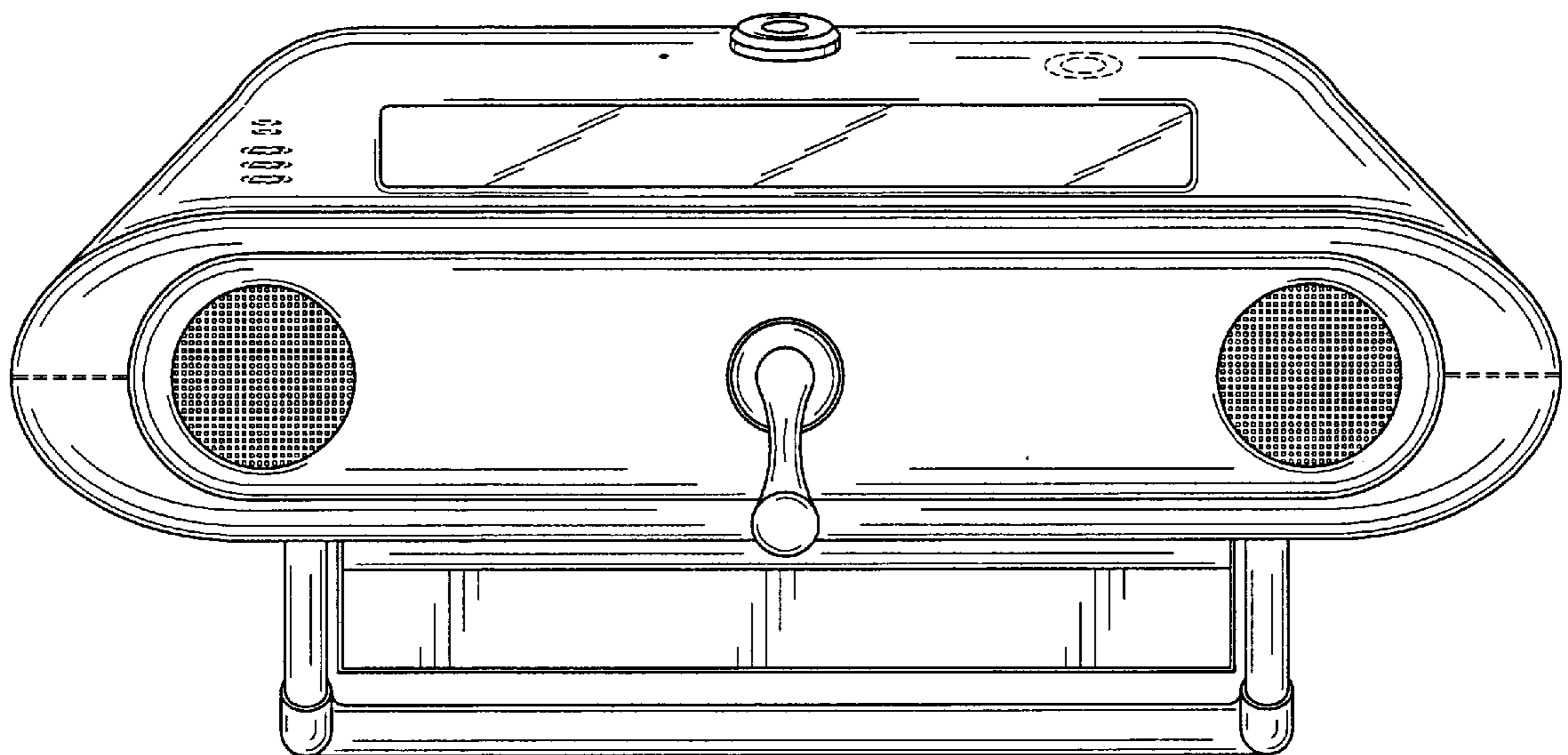


FIG. 5

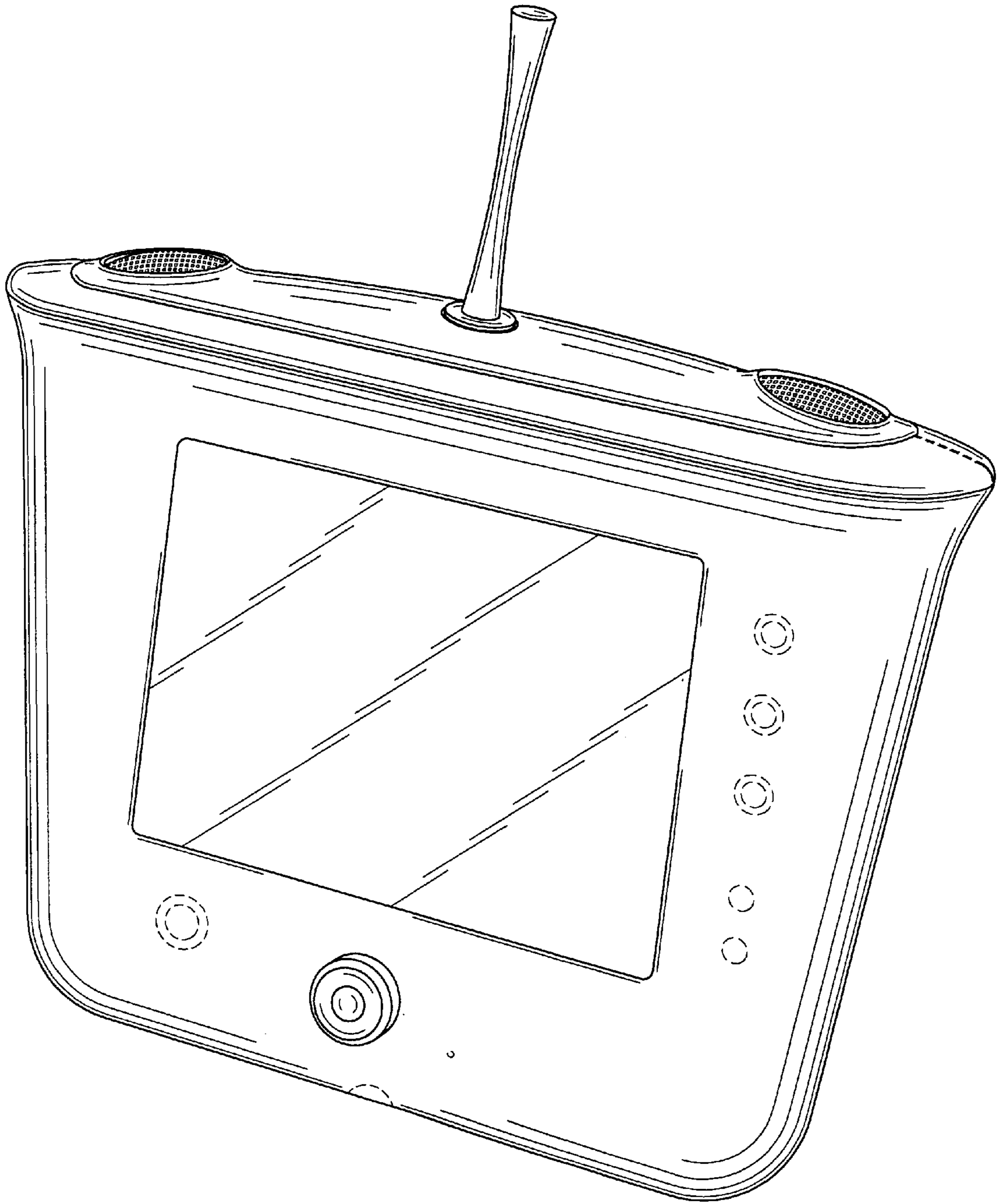


FIG. 6

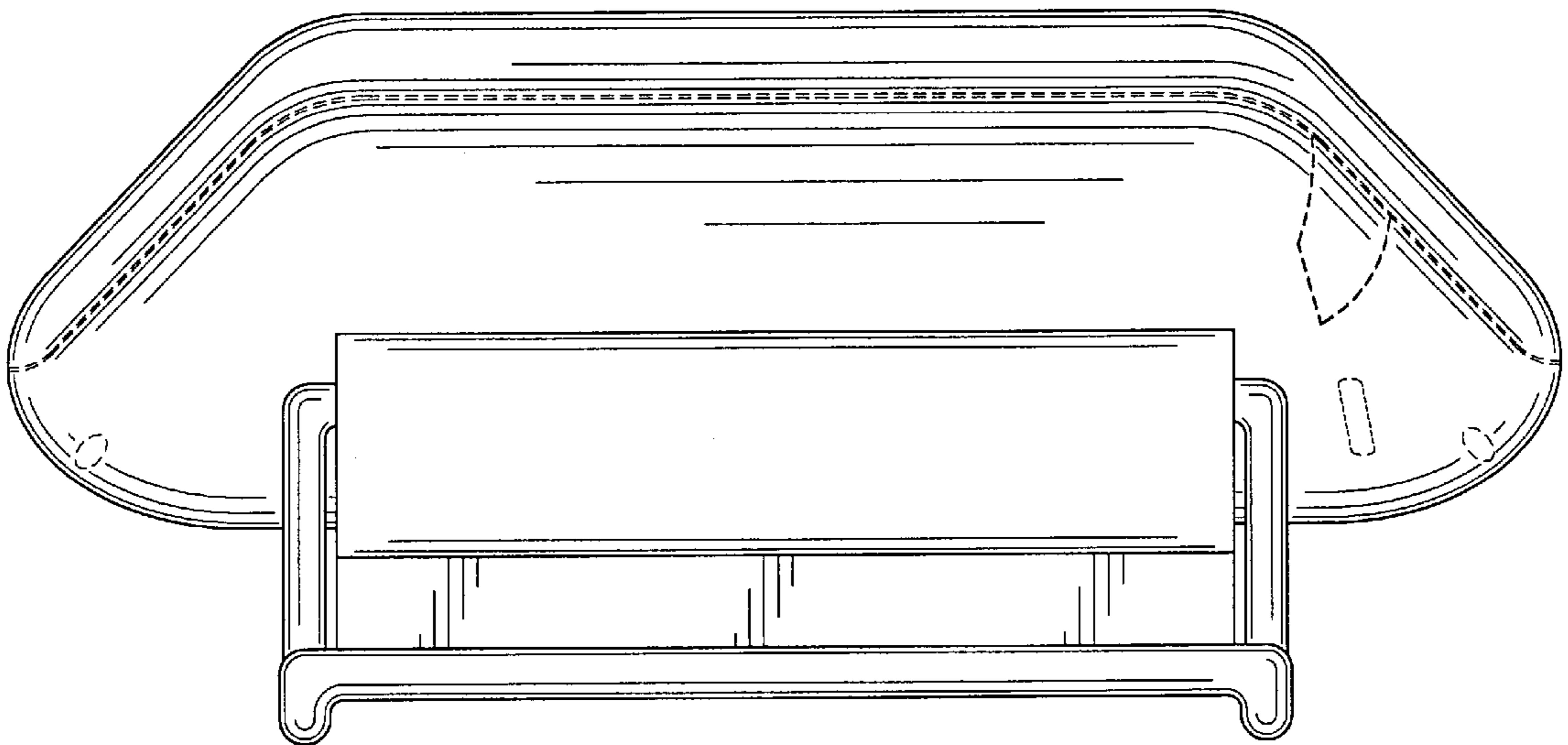


FIG. 7