



US00D442172S

(12) **United States Design Patent**  
**Mizuno**

(10) Patent No.: **US D442,172 S**

(45) Date of Patent: **\*\* May 15, 2001**

(54) **ELECTRONIC COMPUTER WITH CAMERA**

(75) Inventor: **Satoshi Mizuno**, Nara-ken (JP)

(73) Assignee: **Sharp Kabushiki Kaisha**, Osaka (JP)

(\*\*) Term: **14 Years**

(21) Appl. No.: **29/125,374**

(22) Filed: **Jun. 22, 2000**

(30) **Foreign Application Priority Data**

Dec. 22, 1999 (JP) ..... 11-35472

(51) **LOC (7) Cl.** ..... **14-02**

(52) **U.S. Cl.** ..... **D14/317**

(58) **Field of Search** ..... D14/317, 322,  
D14/326, 327; D18/1, 2, 7; 235/145 A,  
145 R; 345/104, 156, 168, 169, 173; 341/22,  
23; 361/683

(56) **References Cited**

**U.S. PATENT DOCUMENTS**

- D. 330,016 10/1992 Mizusugi et al. .
- D. 334,182 3/1993 Mizusugi et al. .
- D. 335,124 4/1993 Mizusugi et al. .
- D. 338,880 8/1993 Mizusugi et al. .
- D. 339,114 9/1993 Mizusugi et al. .
- D. 340,920 11/1993 Okuda et al. .
- D. 340,921 11/1993 Mizusugi et al. .
- D. 343,167 1/1994 Mizusugi et al. .
- D. 344,496 2/1994 Mizusugi et al. .
- D. 357,674 4/1995 Mizusugi .
- D. 363,471 \* 10/1995 Shima et al. .... D14/317
- D. 374,433 \* 10/1996 Shima et al. .... D14/317
- D. 384,043 9/1997 Tamaki .
- D. 385,856 11/1997 Kawa .

- D. 398,904 9/1998 Tamaki et al. .
- D. 405,434 2/1999 Mizuno .
- D. 409,583 \* 5/1999 Nishida et al. .... D14/317
- D. 411,181 6/1999 Tamaki et al. .
- D. 413,107 8/1999 Kawa et al. .
- D. 415,466 10/1999 Kawa .
- D. 419,535 1/2000 Tanimura .
- D. 421,972 3/2000 Makidera et al. .
- D. 425,874 5/2000 Tanimura .
- D. 426,835 6/2000 Tanimura .
- 5,880,928 \* 3/1999 Ma ..... 361/683
- 6,049,450 \* 4/2000 Cho et al. .... 361/683

\* cited by examiner

*Primary Examiner*—Freda Nunn

(74) *Attorney, Agent, or Firm*—Nixon & Vanderhye

(57) **CLAIM**

The ornamental design for an electronic computer with camera, as shown and described.

**DESCRIPTION**

FIG. 1 is a top, front and right side perspective view of an electronic computer with camera according to my design and illustrated with keyboard cover in an installed position; FIG. 2 is a view similar to FIG. 1 with the keyboard cover removed; FIG. 3 is a top plan view thereof with the keyboard cover installed; FIG. 4 is a bottom plan view thereof; FIG. 5 is a front elevational view thereof; FIG. 6 is a rear elevational view thereof; FIG. 7 is a right side elevational view thereof; FIG. 8 is a left side elevational view thereof; and, FIG. 9 is a top, front and right side perspective view of the electronic computer with camera hereof in a closed position.

**1 Claim, 8 Drawing Sheets**

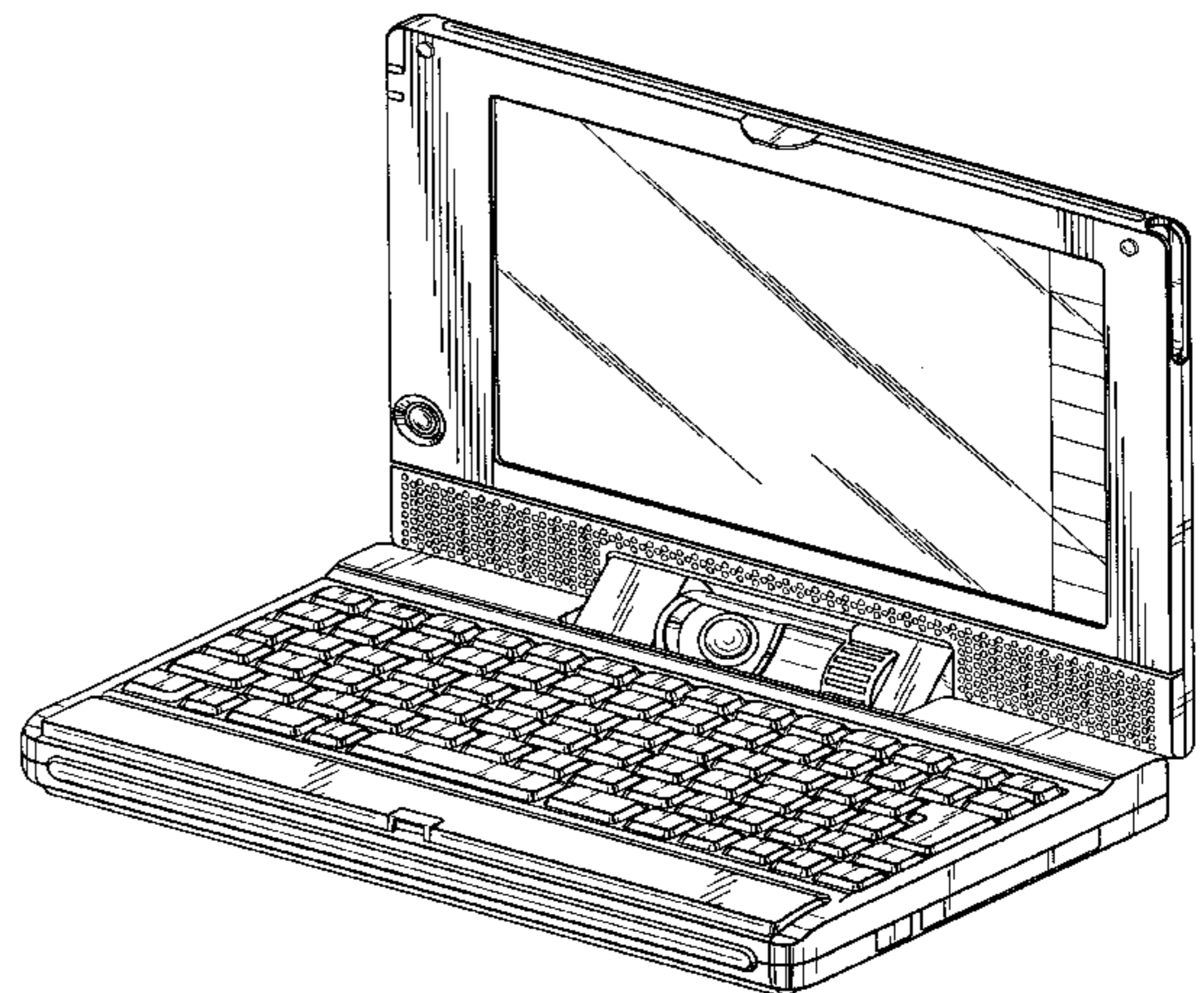
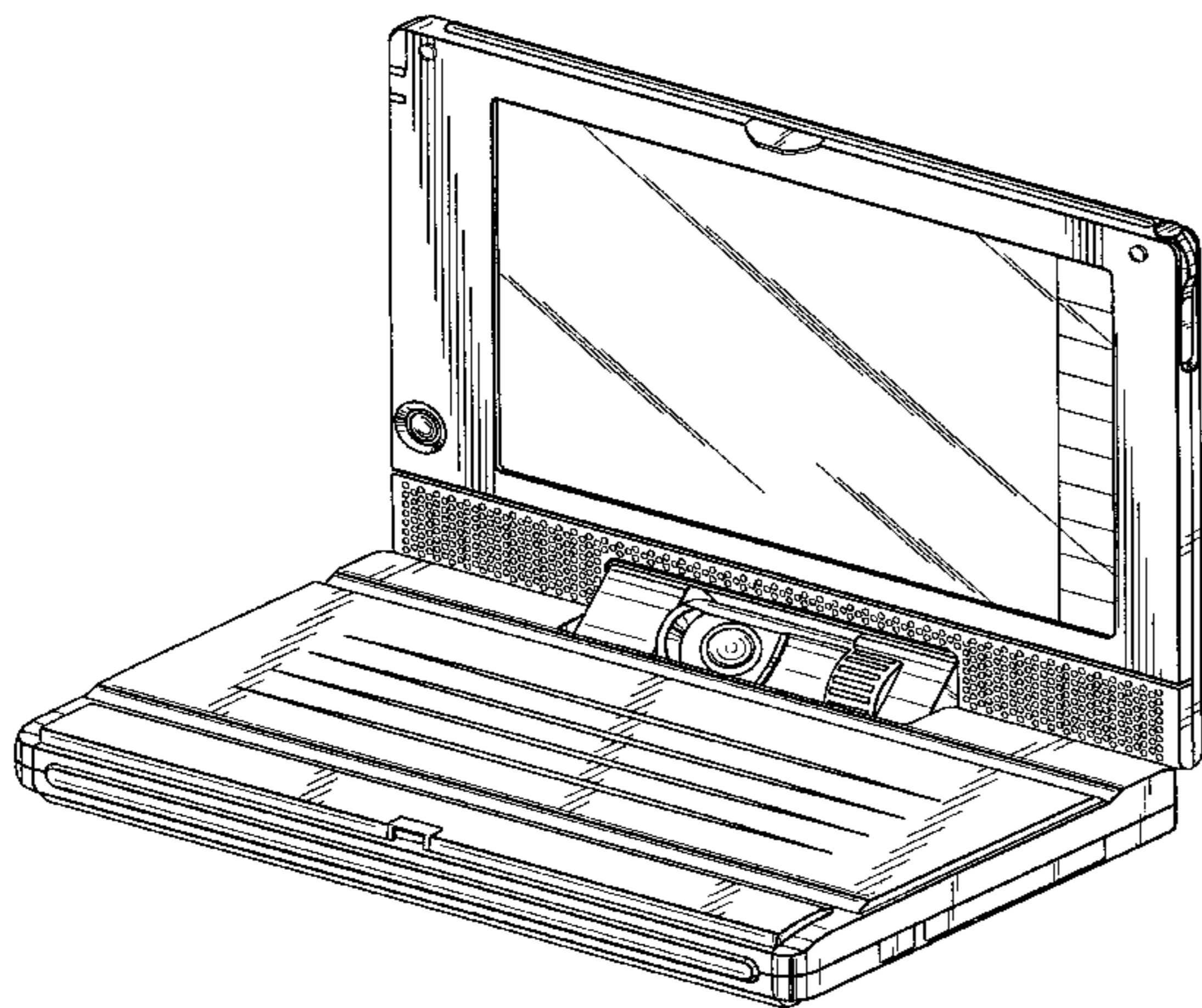


Fig. 1

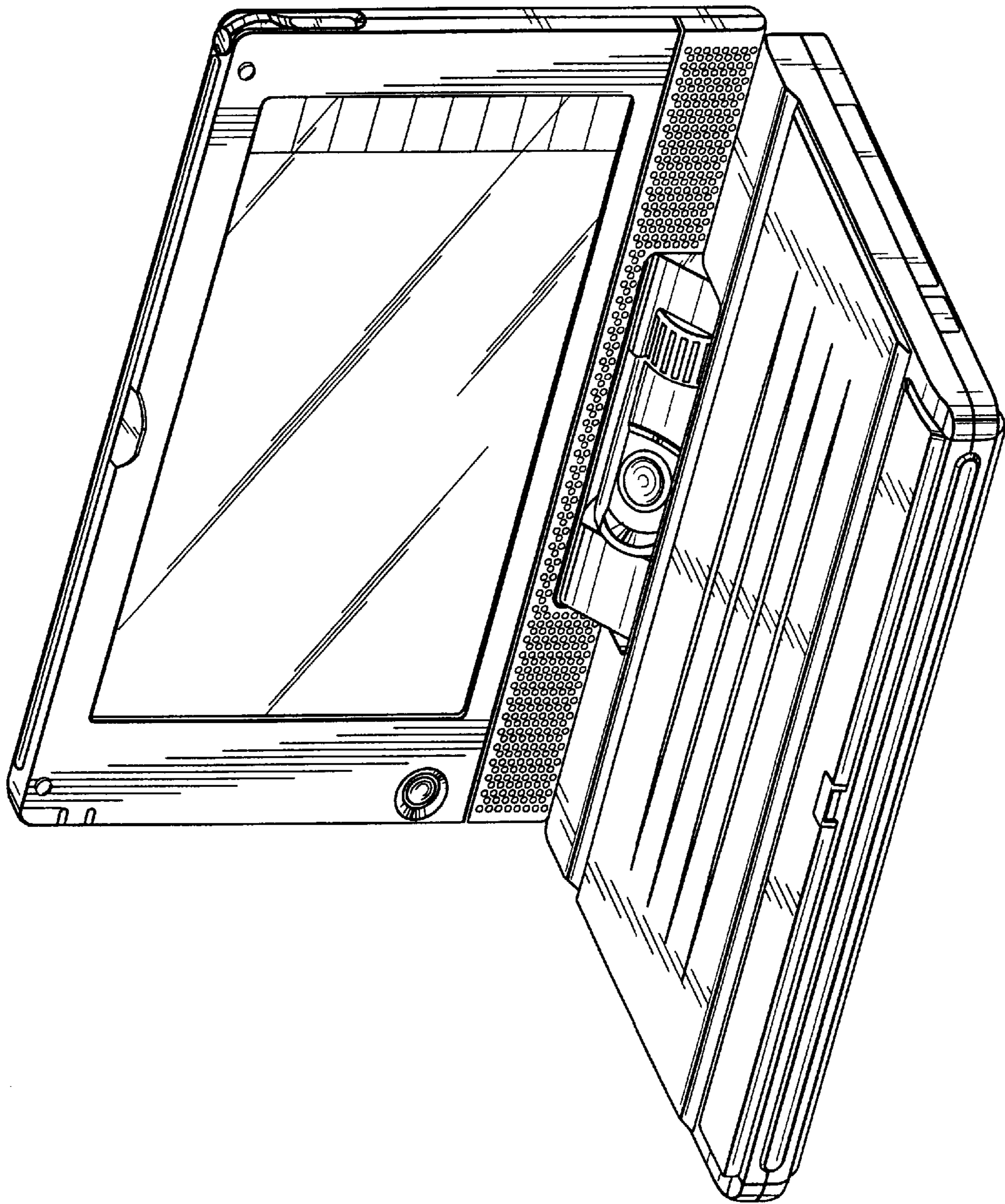


Fig. 2

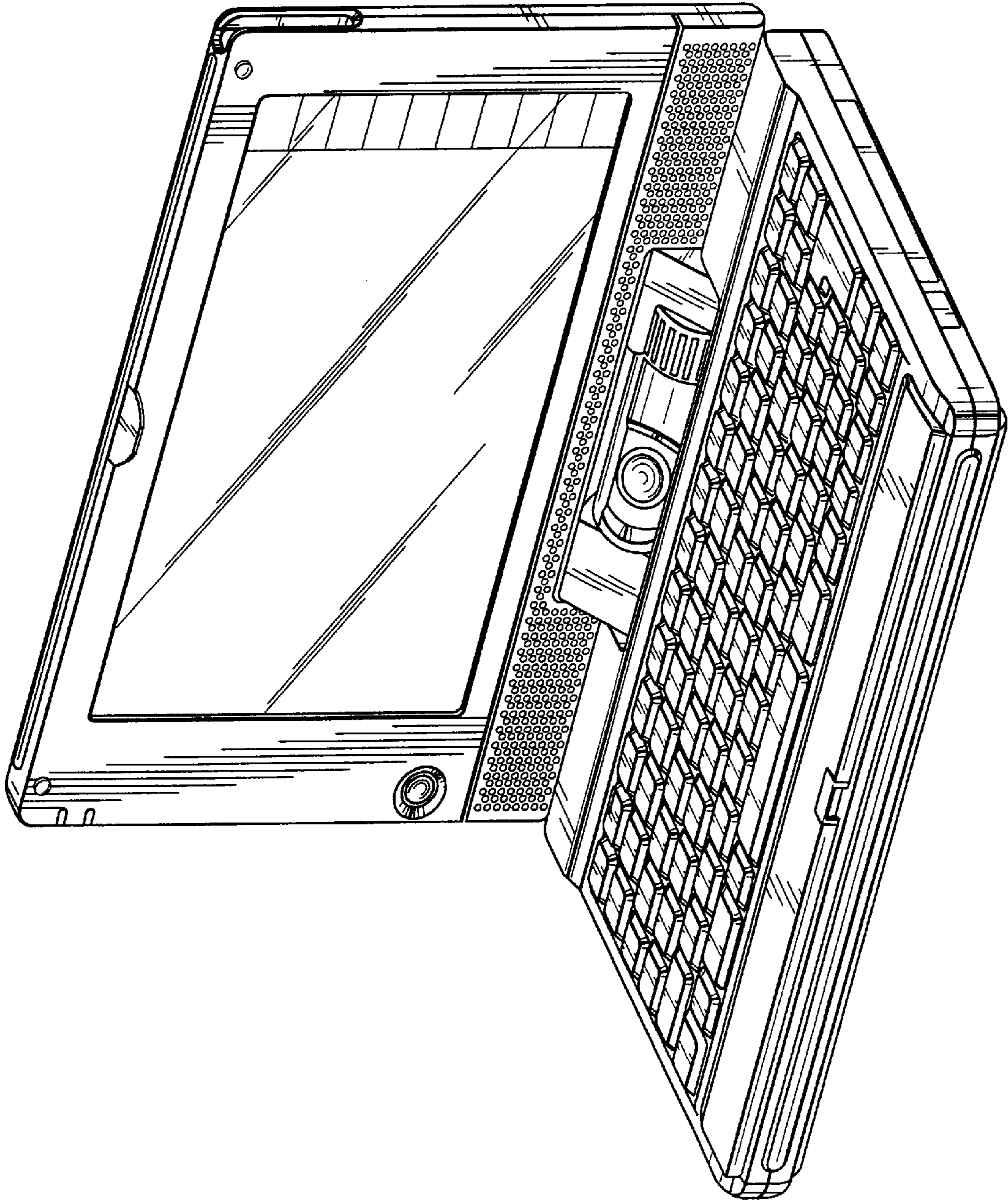


Fig. 3

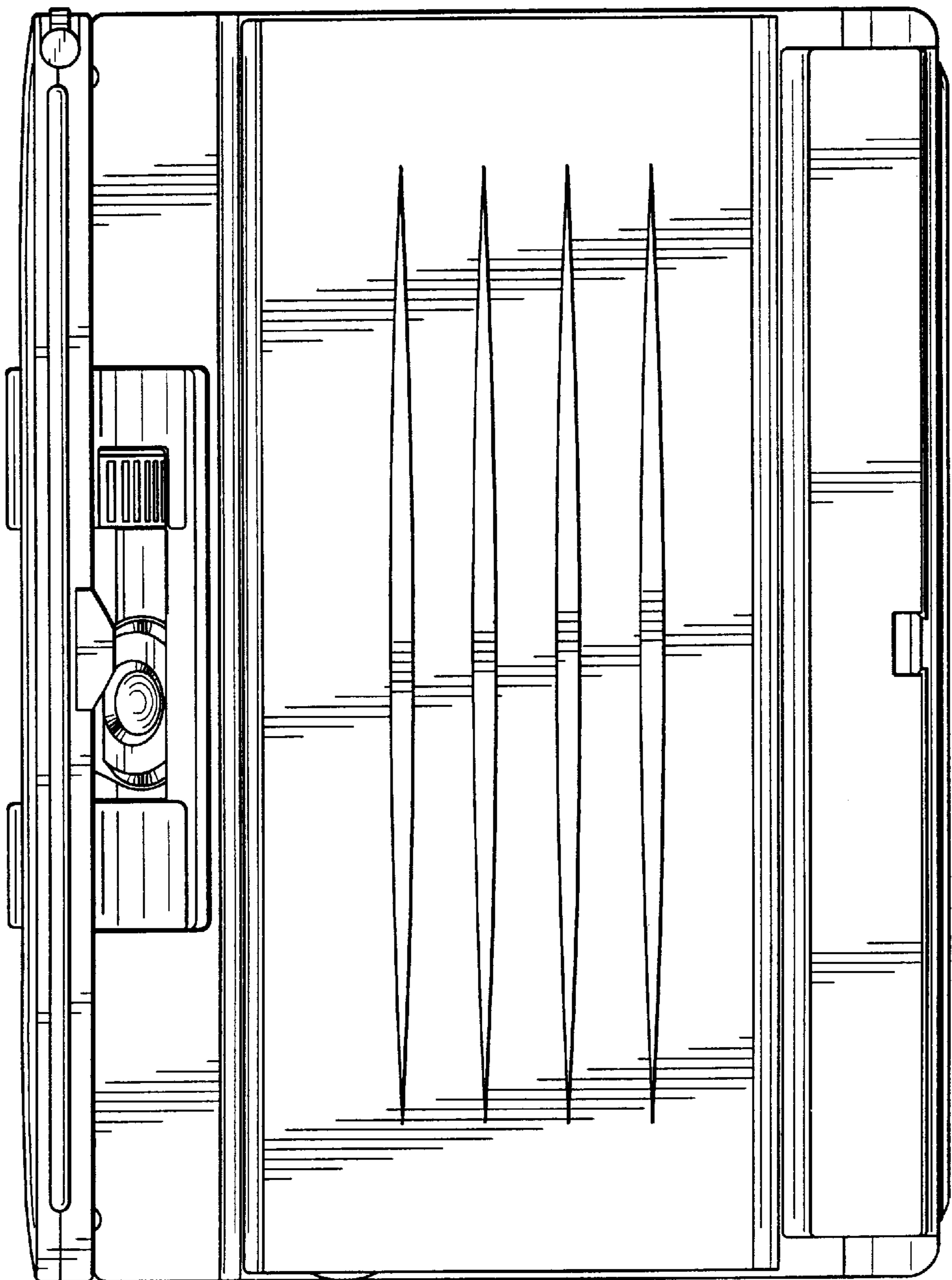


Fig.4

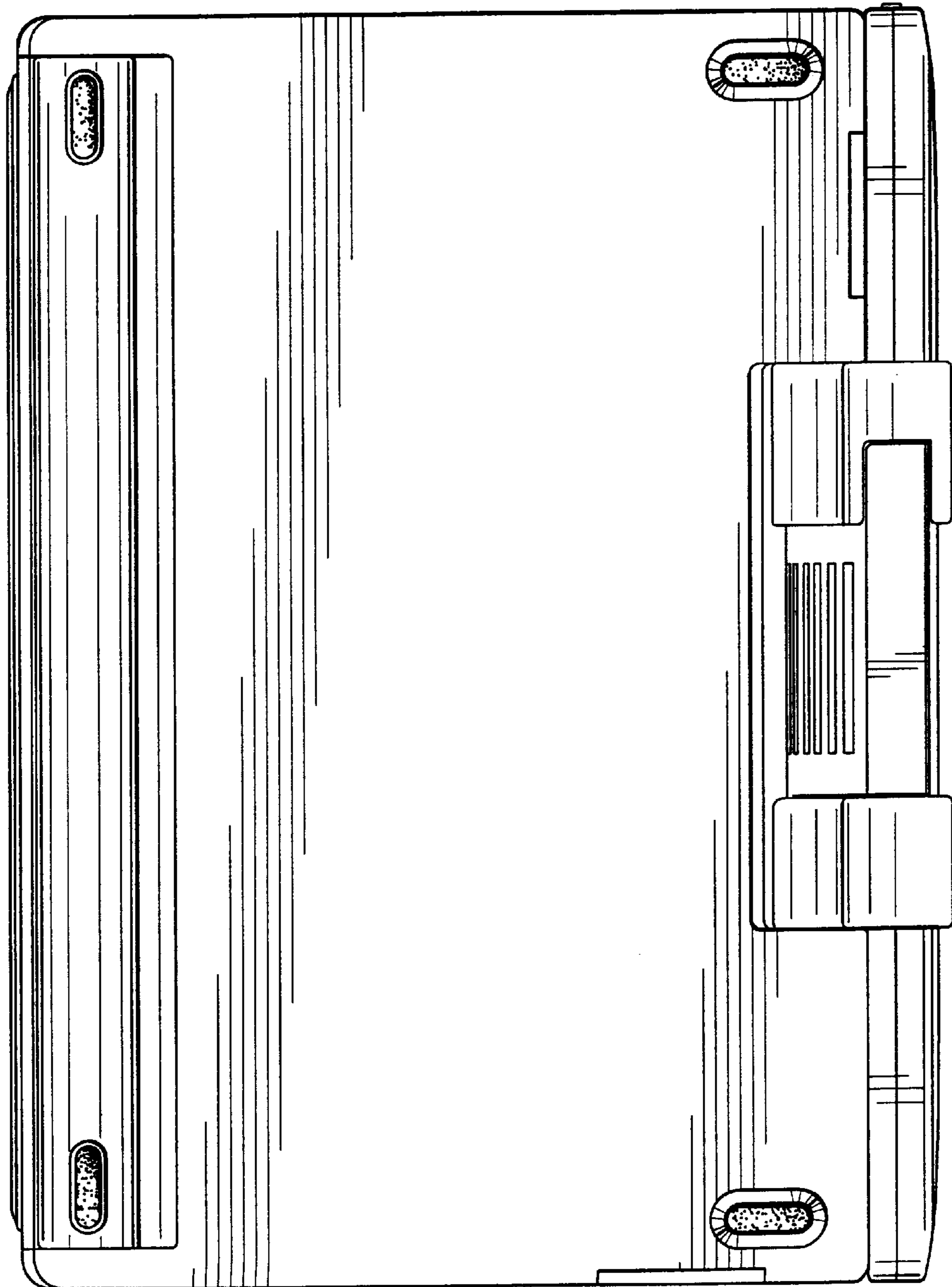


Fig. 5

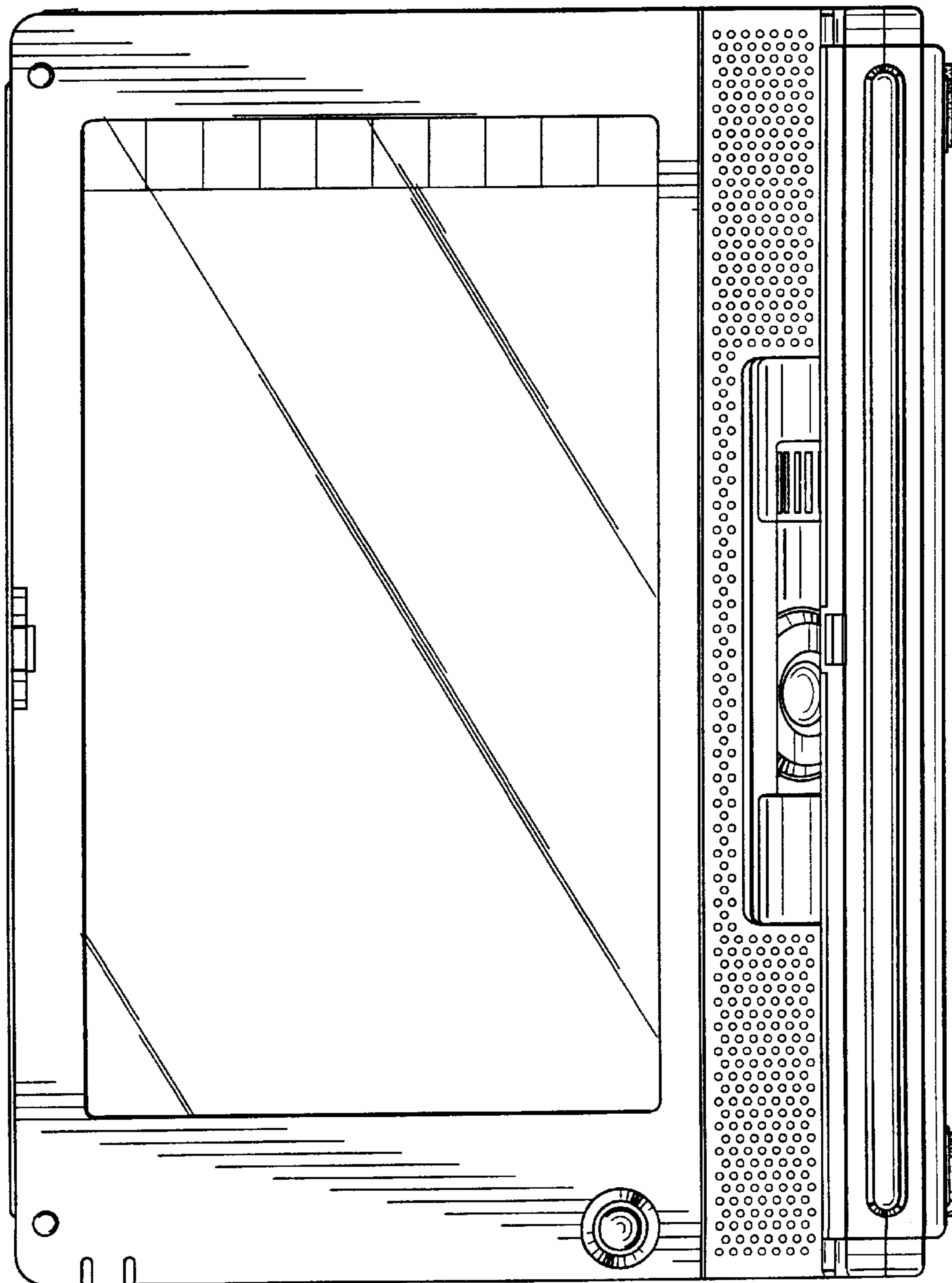


Fig. 6

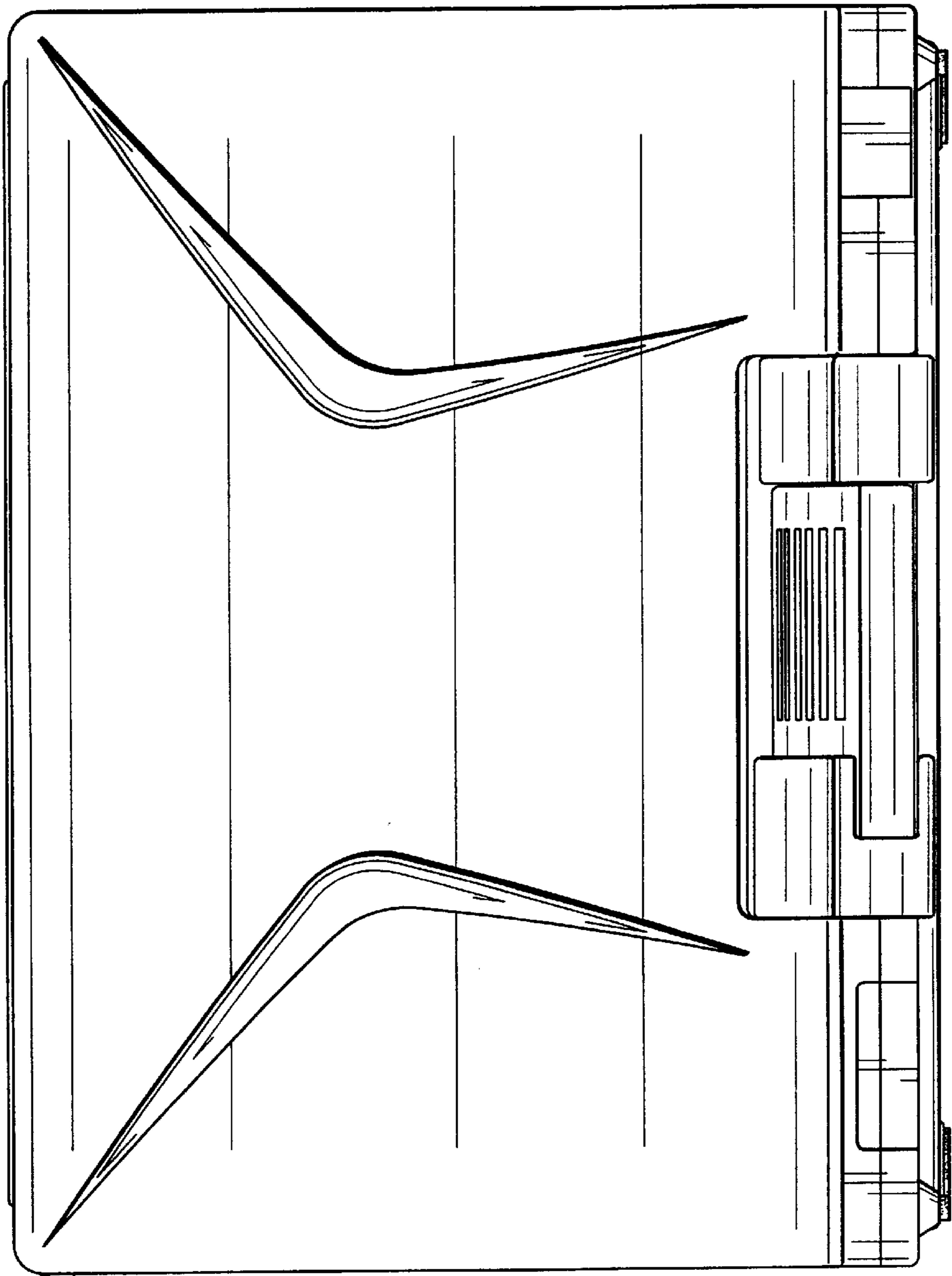


Fig.7

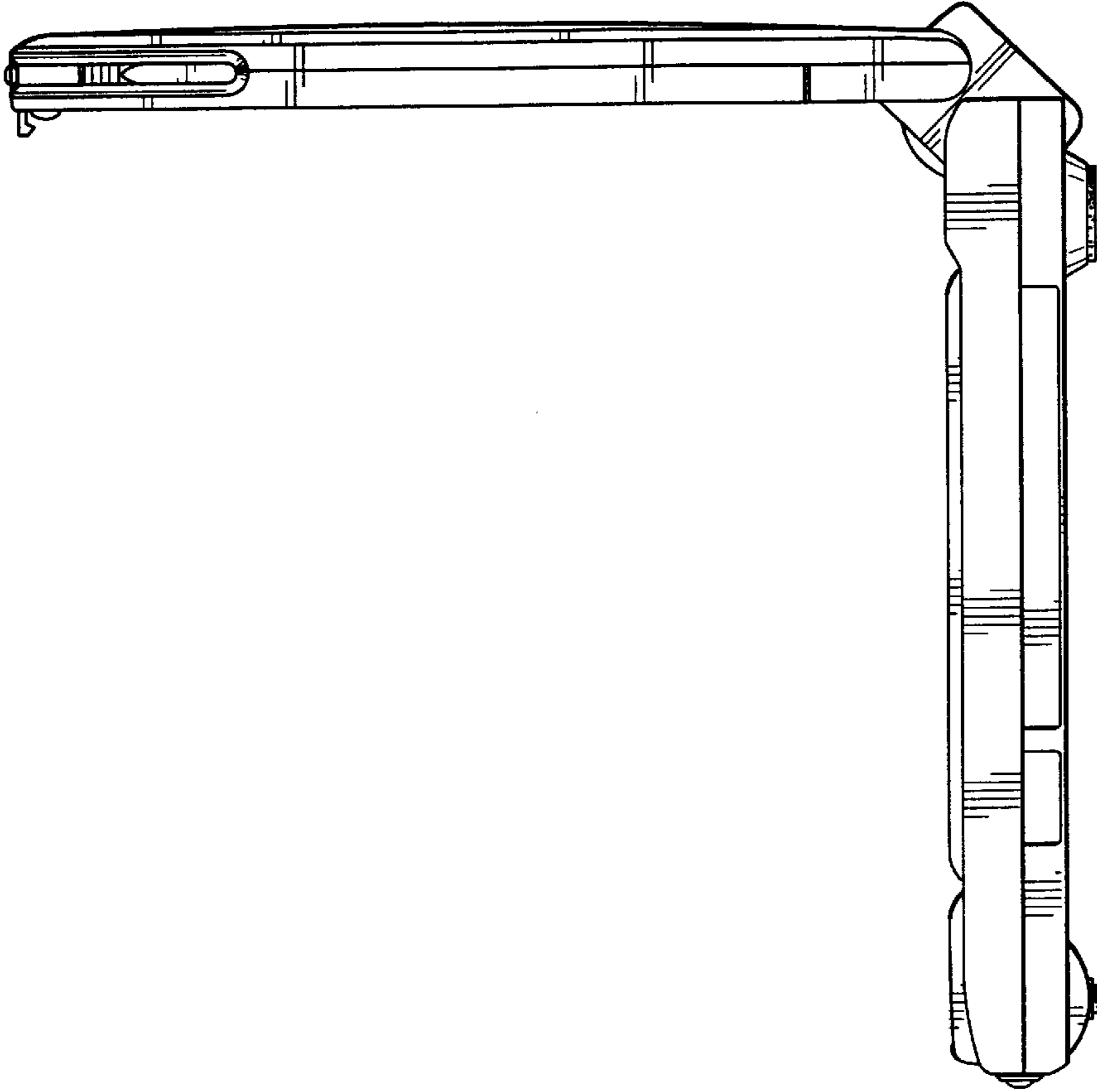
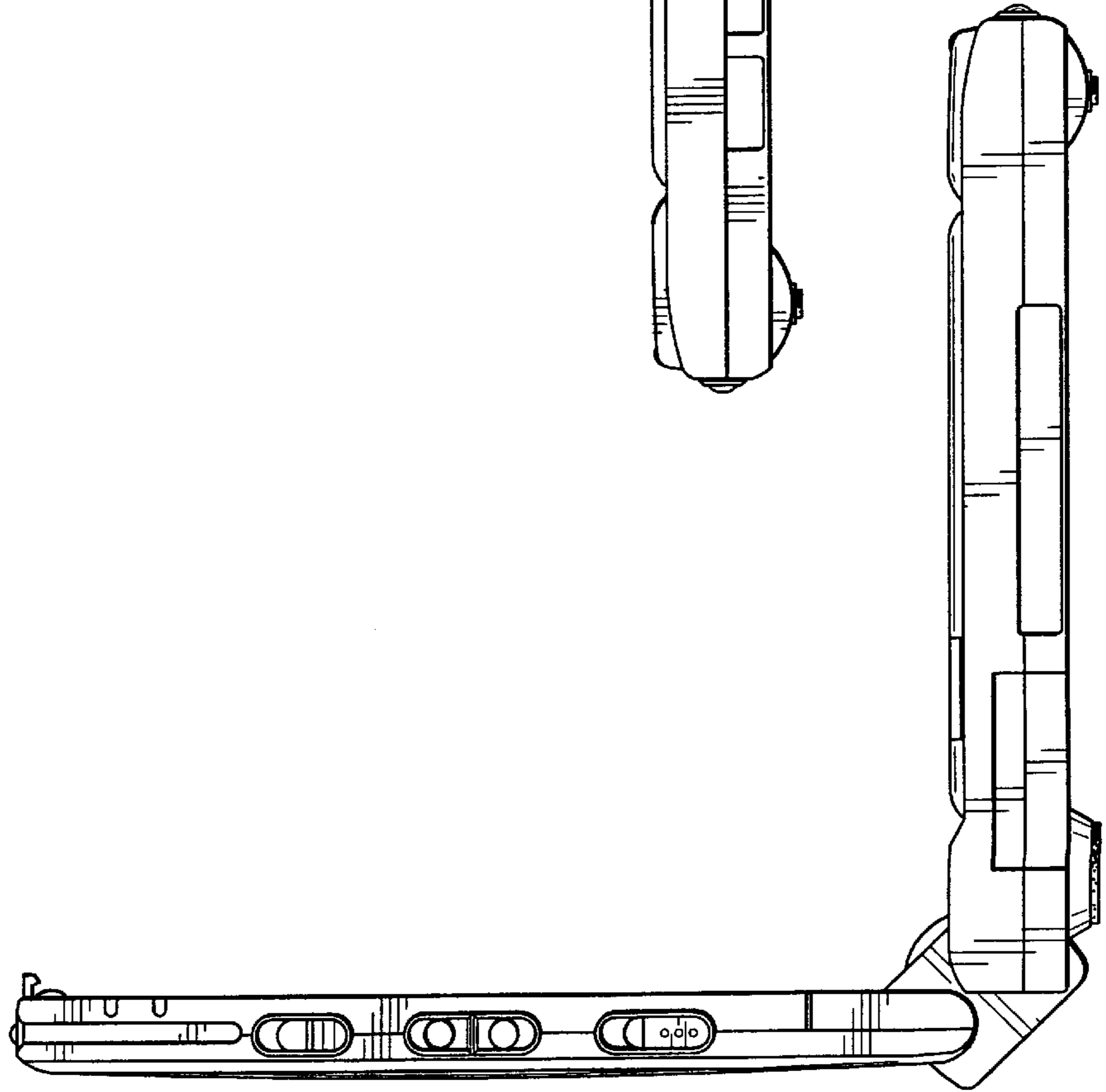


Fig.8





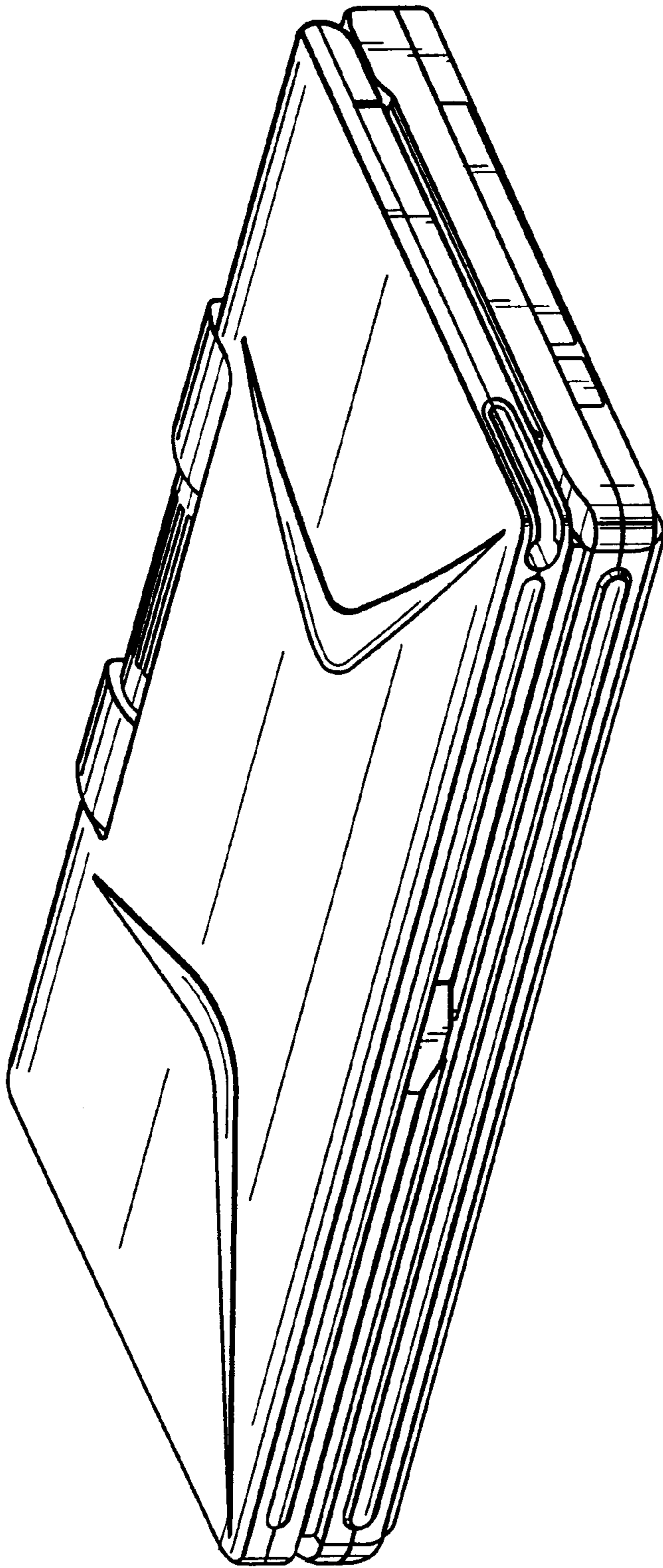


Fig. 9