



US00D442170S

(12) **United States Design Patent** (10) **Patent No.:** **US D442,170 S**
Mou (45) **Date of Patent:** **** May 15, 2001**

(54) **CONNECTOR FOR AN ANTENNA**

(75) Inventor: **Wei Mou**, Port Coquitlam (CA)

(73) Assignee: **Sierra Wireless, Inc.**, Richmond (CA)

(**) Term: **14 Years**

(21) Appl. No.: **29/121,136**

(22) Filed: **Mar. 30, 2000**

(51) **LOC (7) Cl.** **14-03**

(52) **U.S. Cl.** **D14/238; 343/888**

(58) **Field of Search** **D14/230-238;**
343/702, 715, 900, 878, 803, 888, 882

(56) **References Cited**

U.S. PATENT DOCUMENTS

D. 363,488	*	10/1995	Shumaker	D14/230
D. 365,565	*	12/1995	Sickler et al.	D14/230
4,028,707	*	6/1977	Young et al.	343/803
4,066,324	*	1/1978	Stephens	343/715
5,283,589	*	2/1994	Blevins	343/715

* cited by examiner

Primary Examiner—Louis S. Zarfes

Assistant Examiner—Gregory Andoll

(74) *Attorney, Agent, or Firm*—Burns, Doane, Swecker & Mathis, LLP

(57) **CLAIM**

The ornamental design for connector for an antenna, as shown and described.

DESCRIPTION

FIG. 1 is a frontal perspective view of an connector for an antenna according to the present invention;

FIG. 2 is a rear perspective view thereof;

FIG. 3 is a rear view thereof;

FIG. 4 is a left side elevational view thereof;

FIG. 5 is a front view thereof;

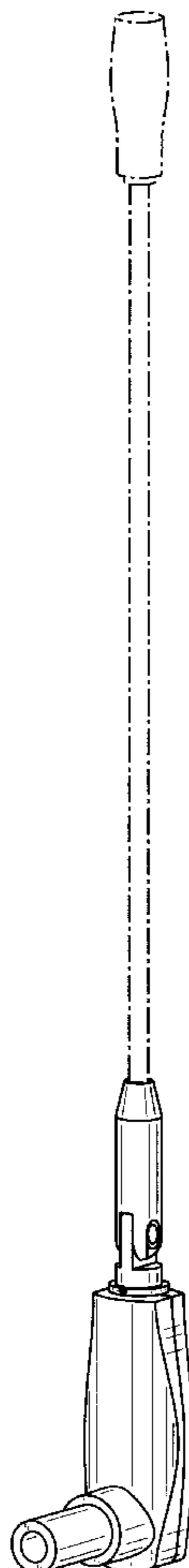
FIG. 6 is a right side elevational view thereof;

FIG. 7 is a top view thereof; and,

FIG. 8 is a bottom view thereof.

The broken lines in the Figures are for illustrative purposes only and form no part of the claimed design.

1 Claim, 2 Drawing Sheets



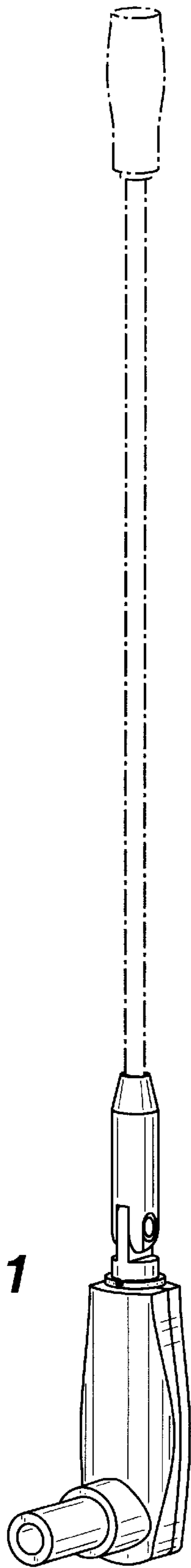


FIG. 1

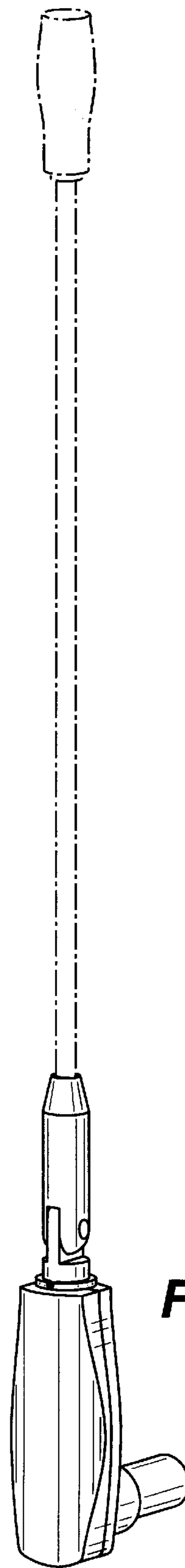


FIG. 2

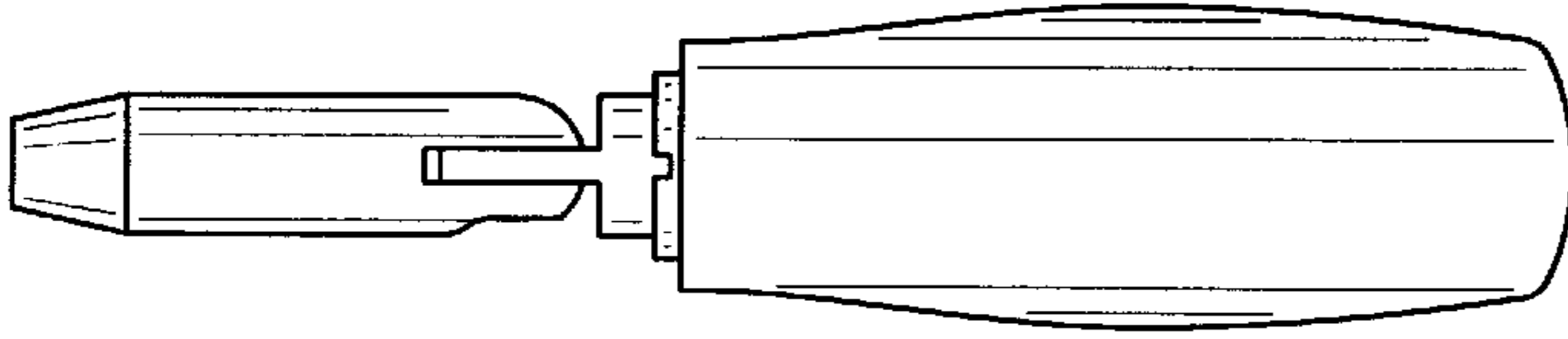


FIG. 3

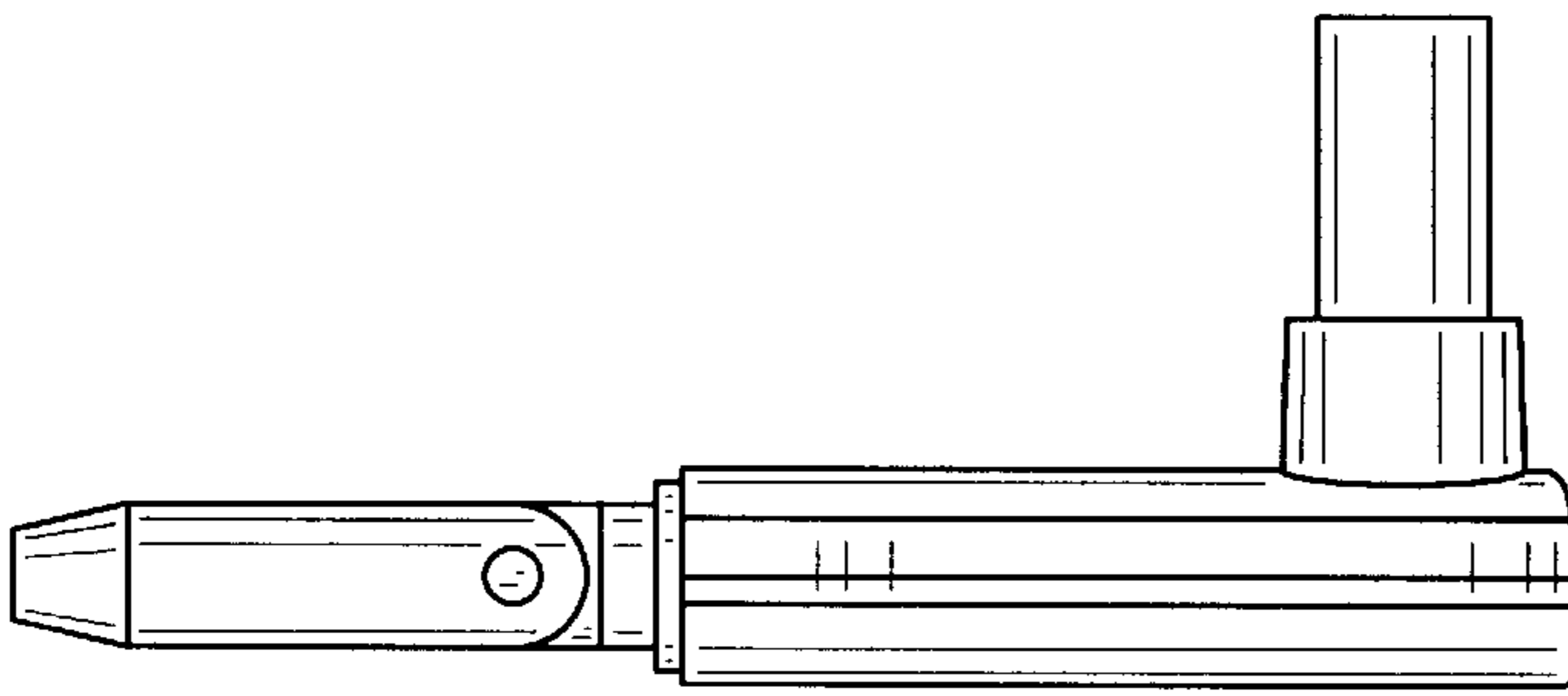


FIG. 4

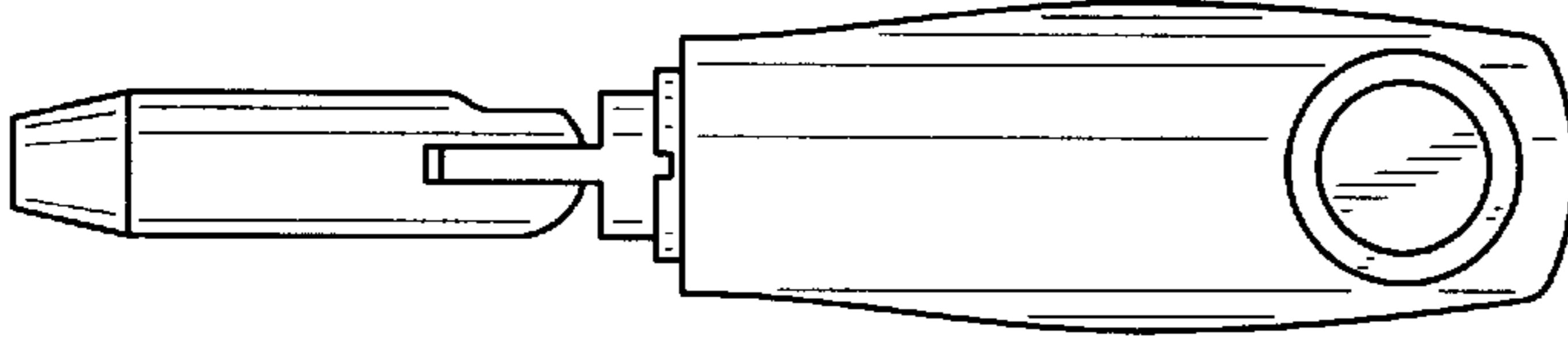


FIG. 5

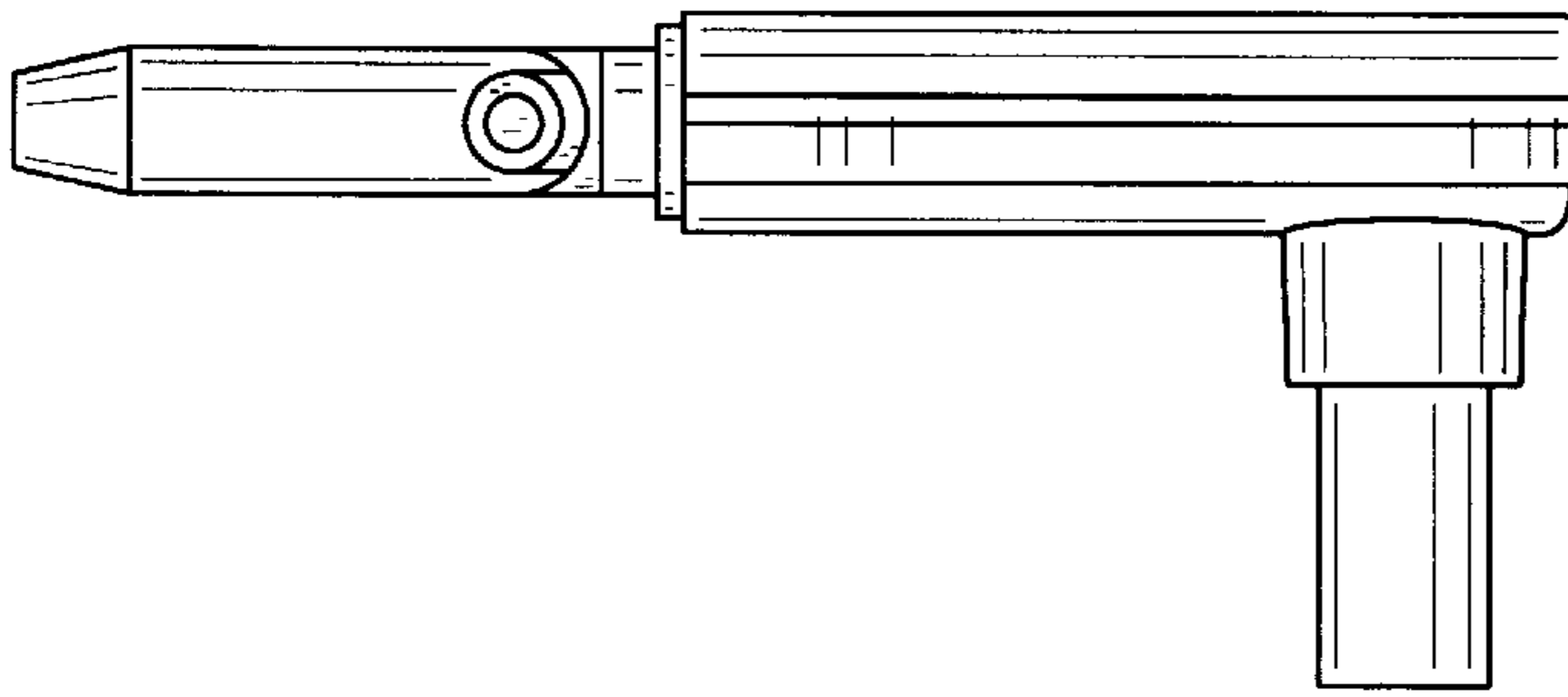


FIG. 6

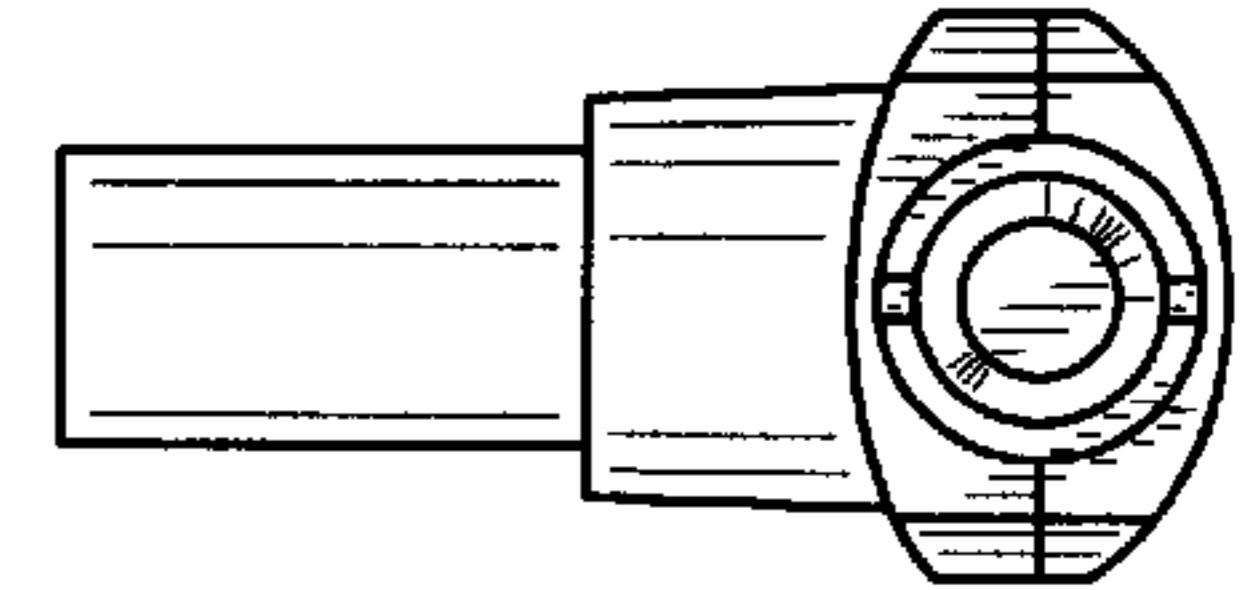


FIG. 7

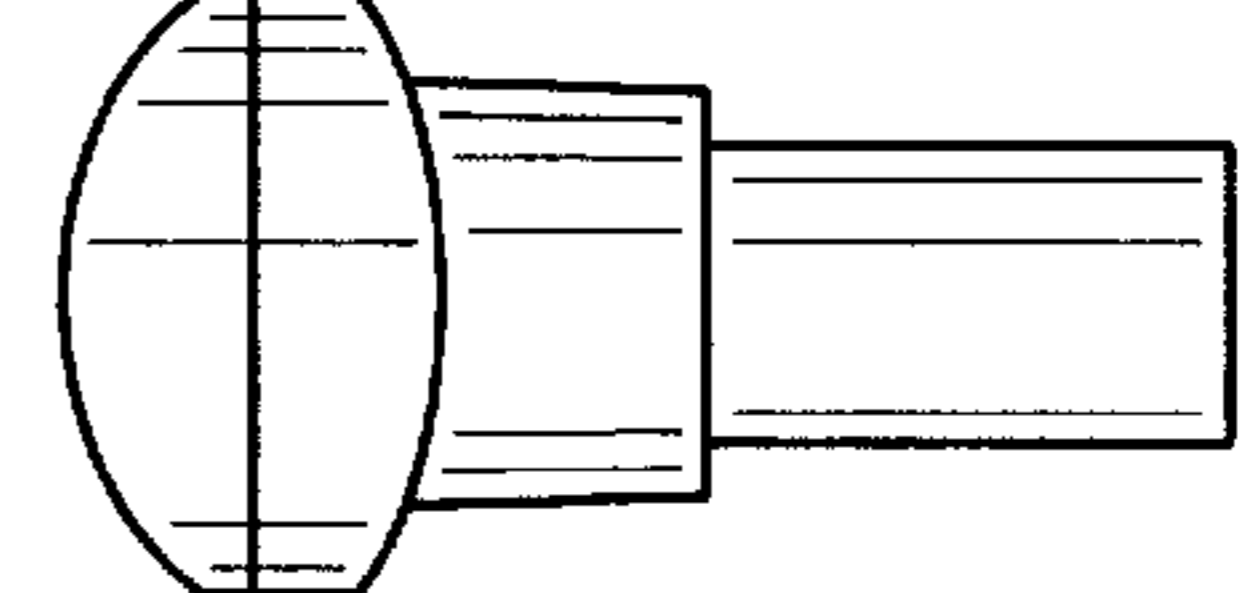


FIG. 8