



US00D442168S

(12) **United States Design Patent**
Warner et al.

(10) **Patent No.:** **US D442,168 S**

(45) **Date of Patent:** **** May 15, 2001**

(54) **GLOBAL POSITIONING SYSTEM ANTENNA HOUSING**

4,804,972 * 11/1995 Schudel 343/872

* cited by examiner

(75) Inventors: **Jack S. Warner; Jason Hilbourne,**
both of Portland, OR (US)

Primary Examiner—Louis S. Zarfes

Assistant Examiner—Gregory Andoll

(73) Assignee: **Trimble Navigation Limited,**
Sunnyvale, CA (US)

(74) *Attorney, Agent, or Firm*—Wagner, Murabito & Hao
LLP

(**) Term: **14 Years**

(57) **CLAIM**

We claim the ornamental design for a global positioning system antenna housing, as shown.

(21) Appl. No.: **29/121,103**

DESCRIPTION

(22) Filed: **Mar. 30, 2000**

(51) **LOC (7) Cl.** **14-03**

FIG. 1 is an upper left rear perspective view, of the global positioning system antenna housing comprising the present invention;

(52) **U.S. Cl.** **D14/231**

FIG. 2 is a bottom right front perspective view thereof;

(58) **Field of Search** D14/230–238;
343/872, 702

FIG. 3 is a front elevational view thereof;

FIG. 4 is a right side elevational view thereof;

FIG. 5 is a rear elevational view thereof;

FIG. 6 is a left side elevational view thereof;

FIG. 7 is a top plan view thereof; and,

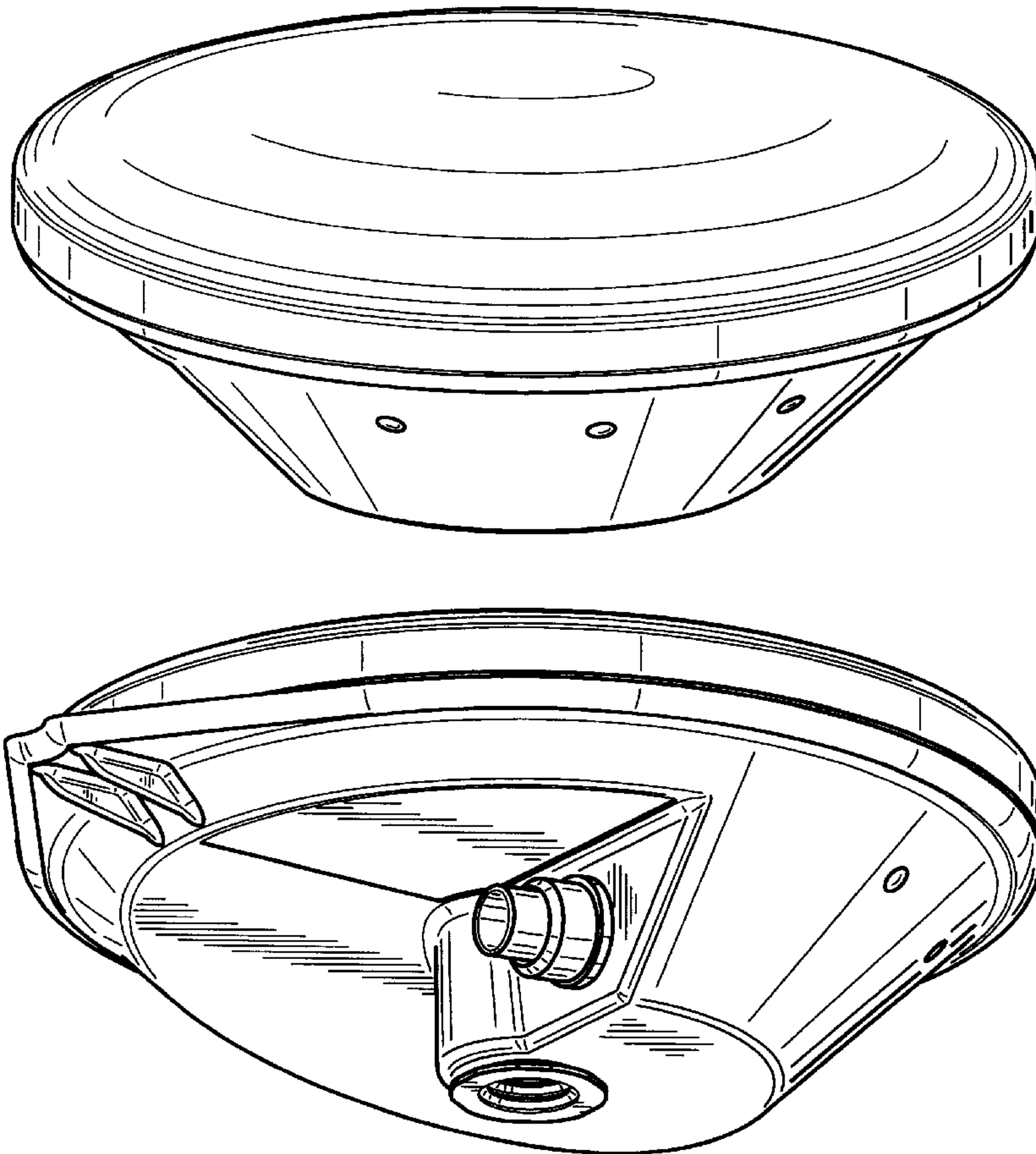
FIG. 8 is a bottom plan view thereof.

(56) **References Cited**

U.S. PATENT DOCUMENTS

- D. 363,935 * 11/1995 McGreevy D14/230
- D. 421,439 * 3/2000 Giuntoli D14/230
- D. 427,996 * 7/2000 Heiligenstein et al. D14/230
- 2,942,265 * 6/1960 Ratkevich 343/872

1 Claim, 3 Drawing Sheets



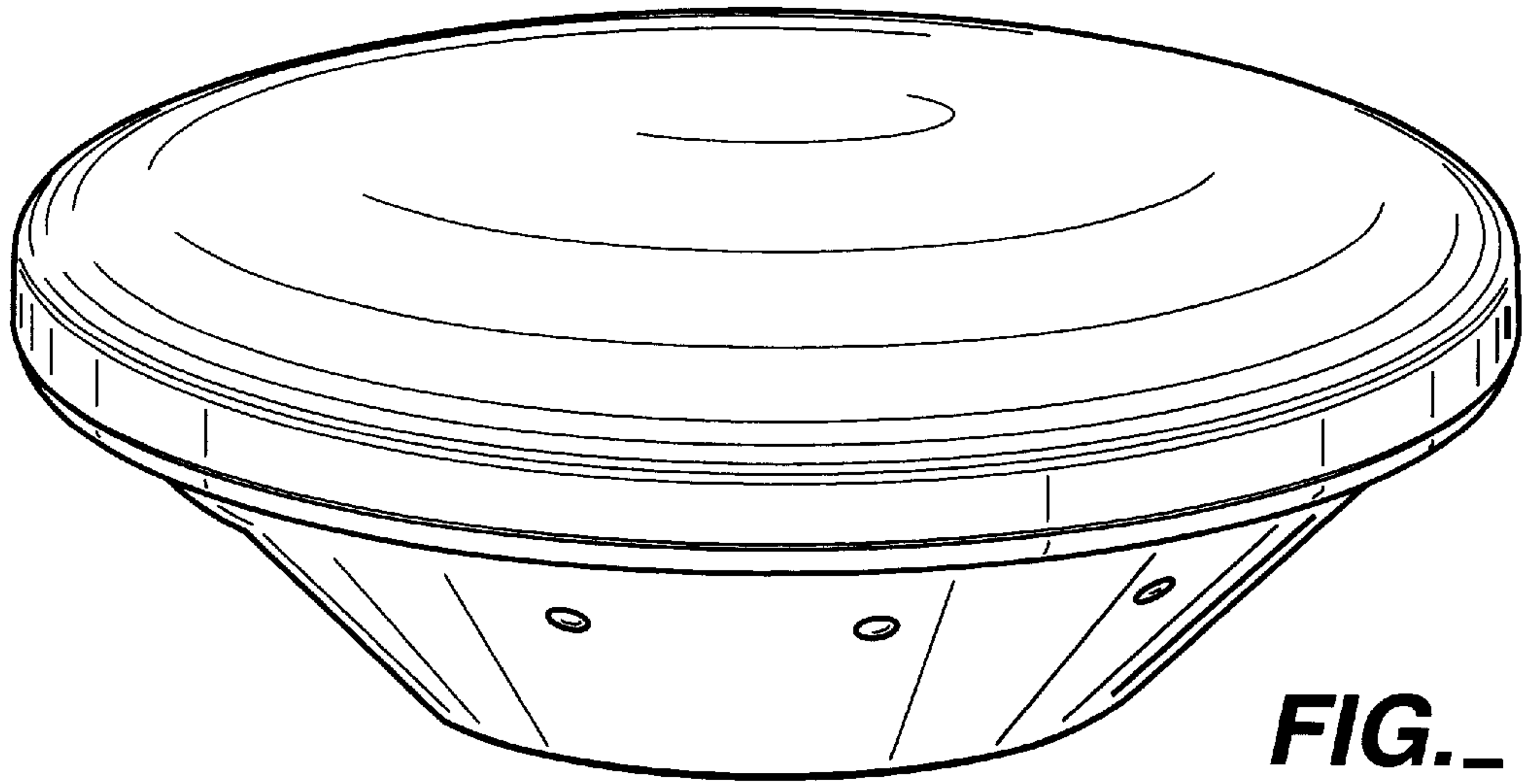


FIG._1

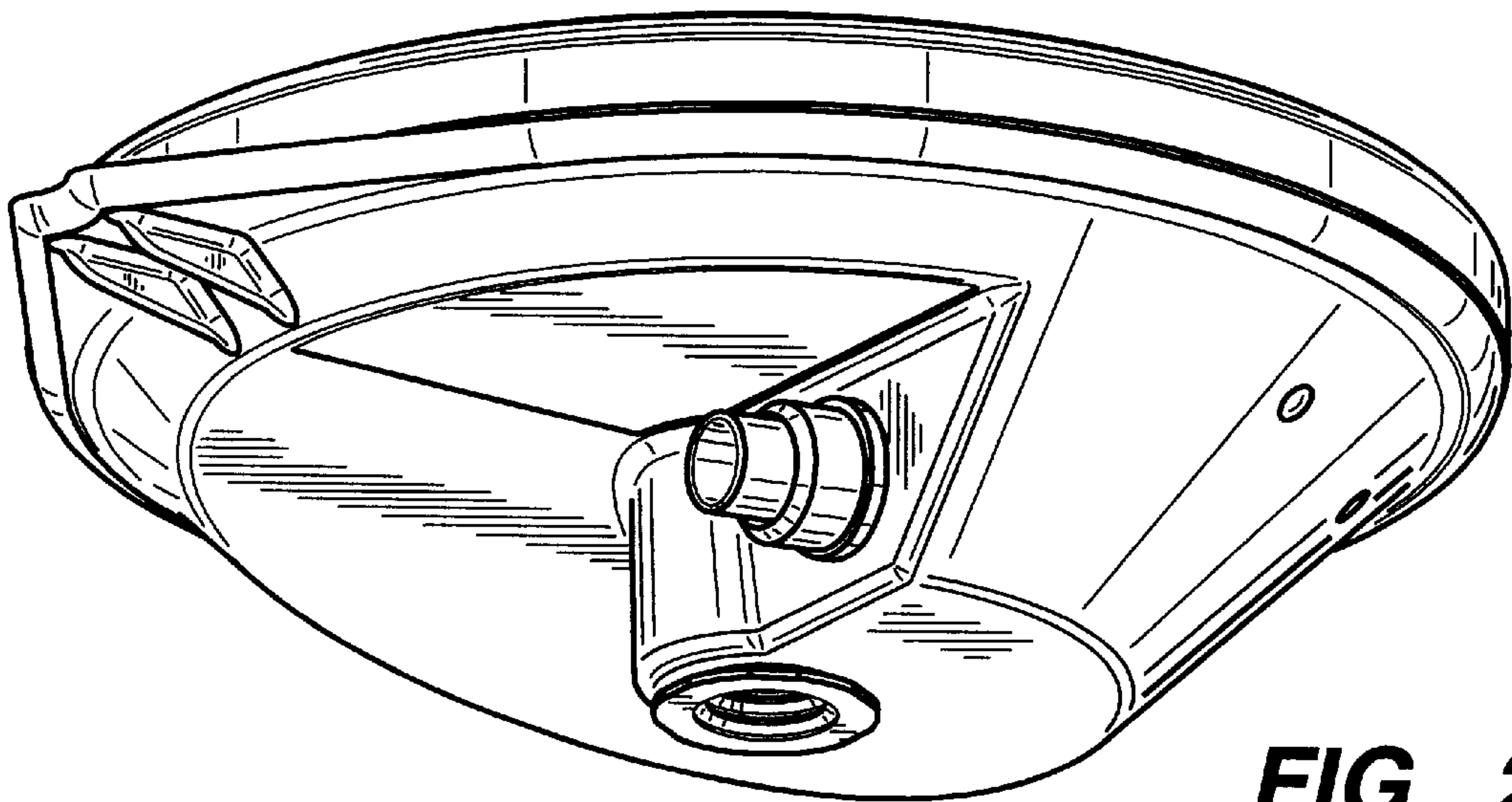


FIG._2

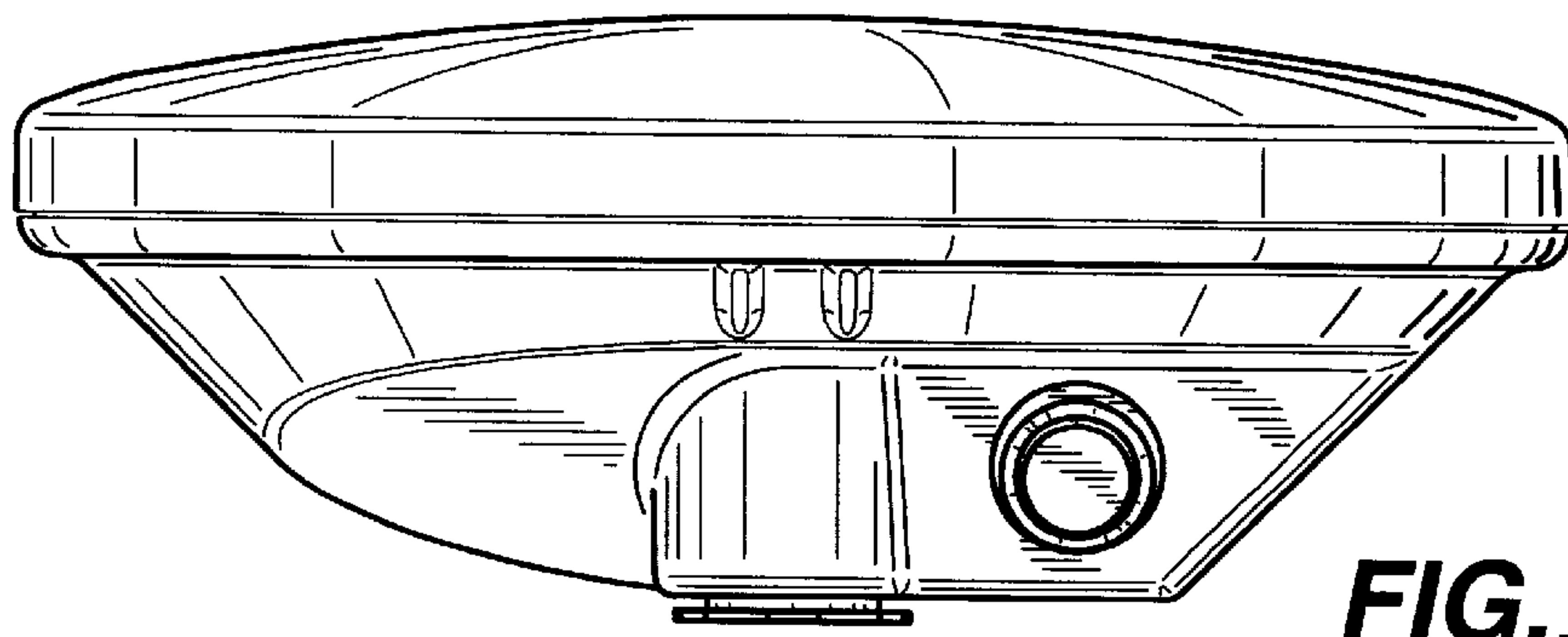


FIG. 3

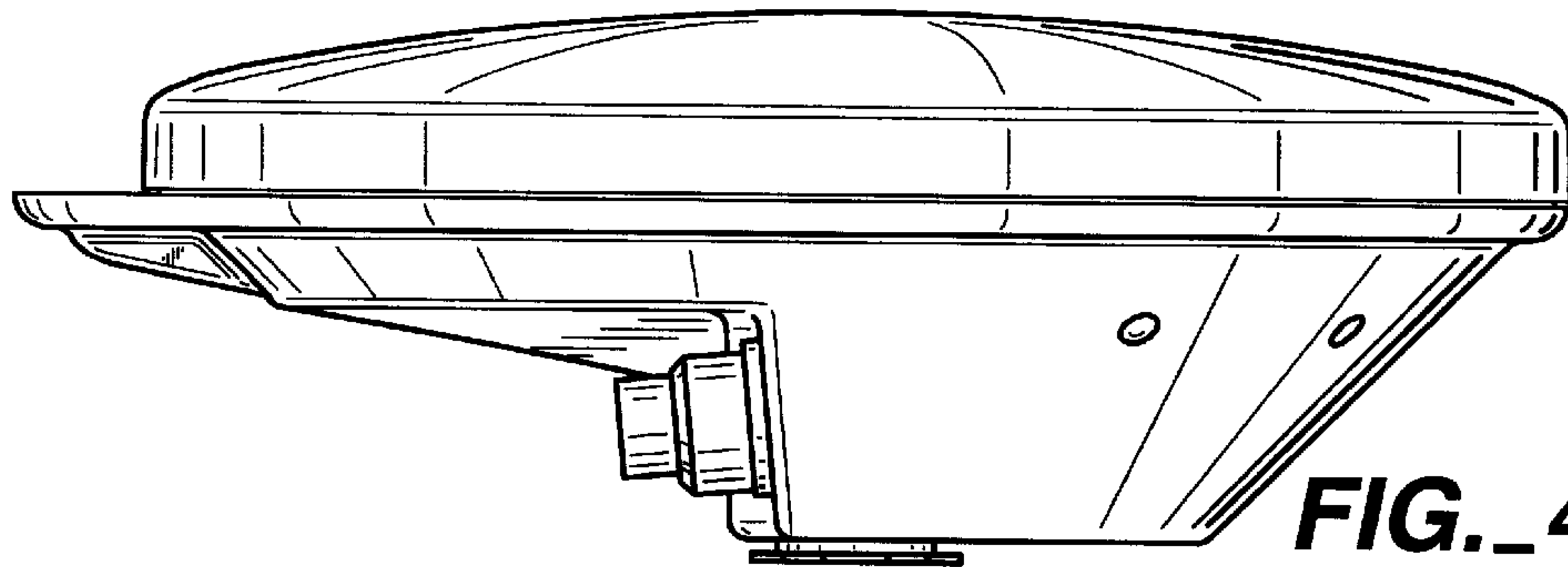


FIG. 4

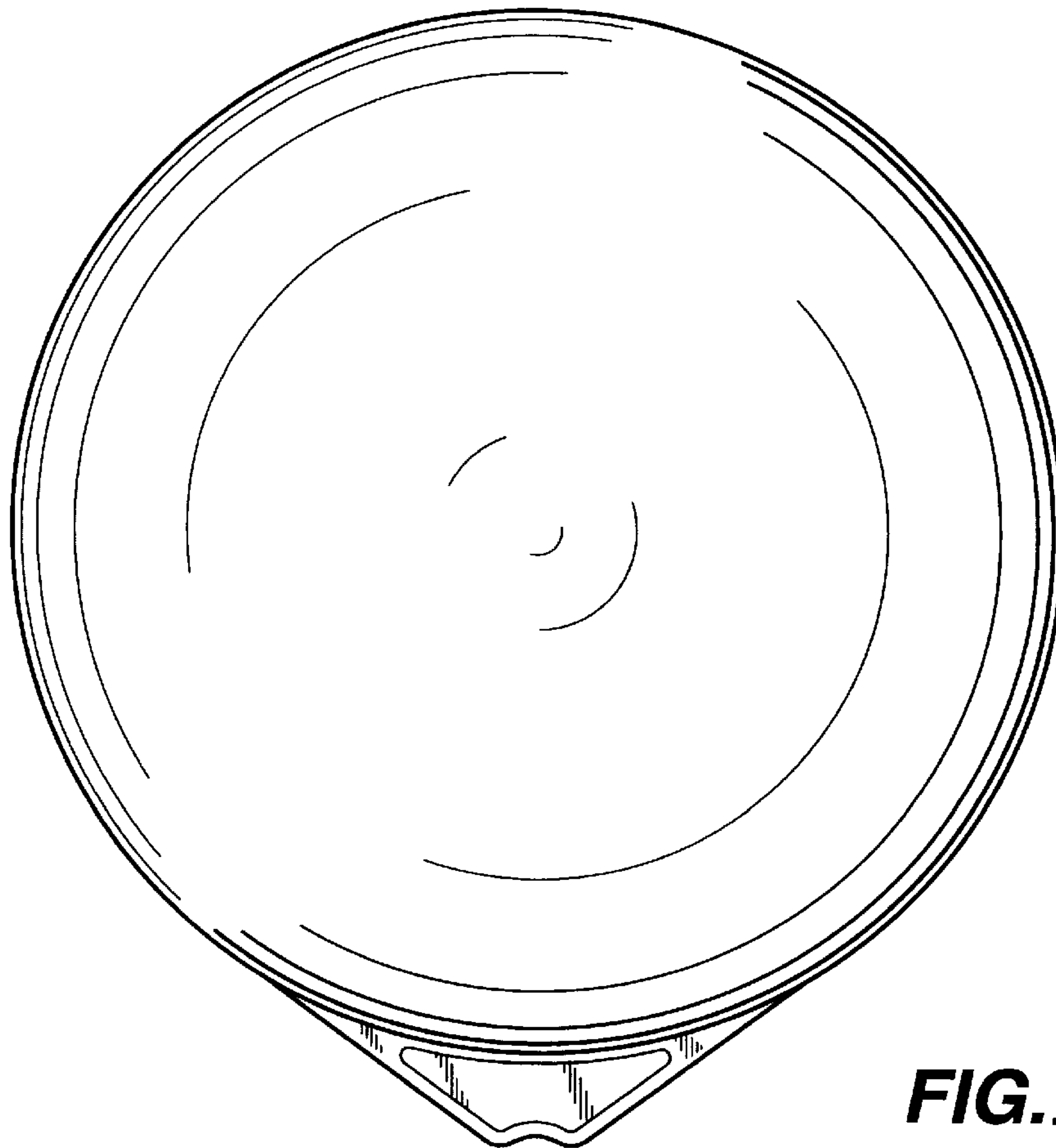


FIG. 7

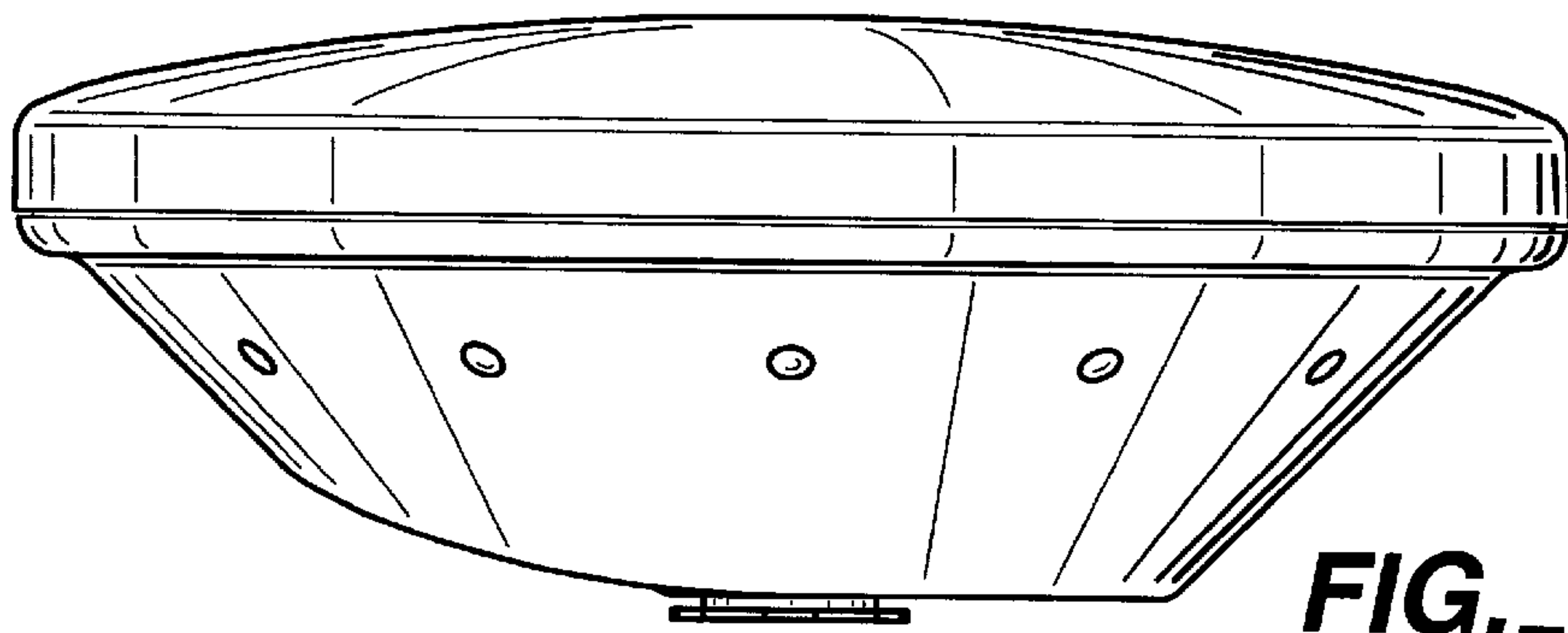


FIG. 5

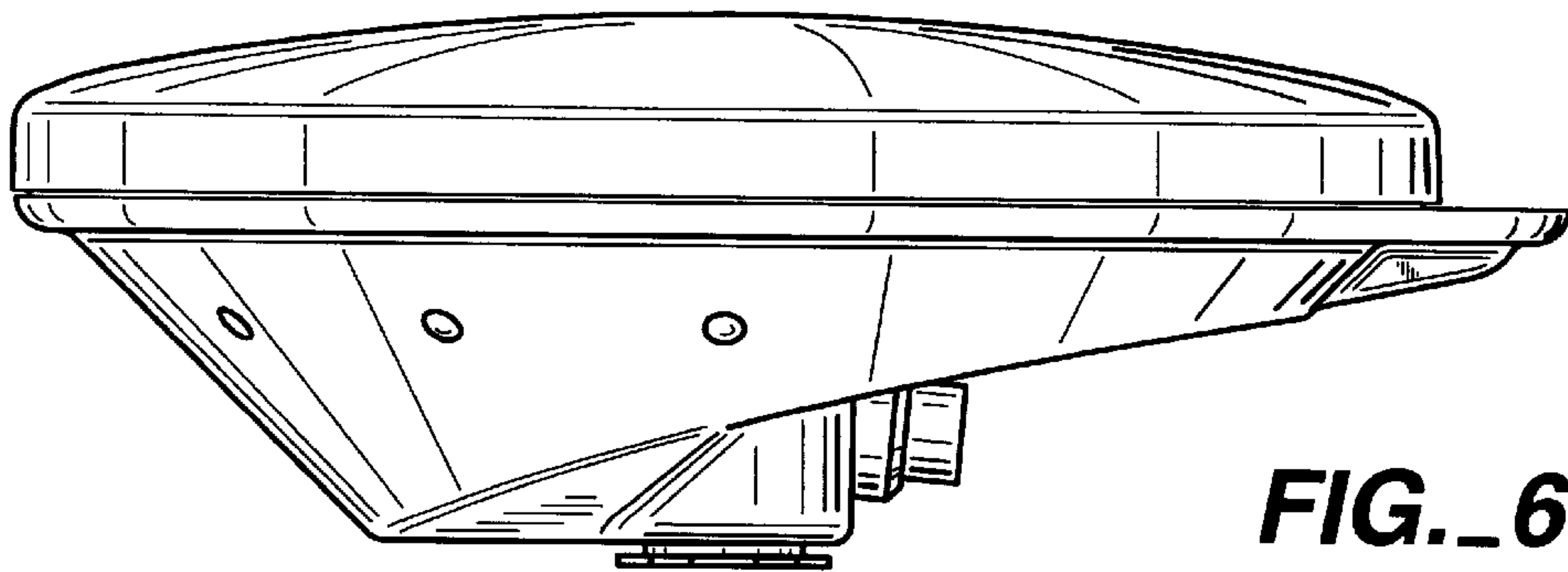


FIG. 6

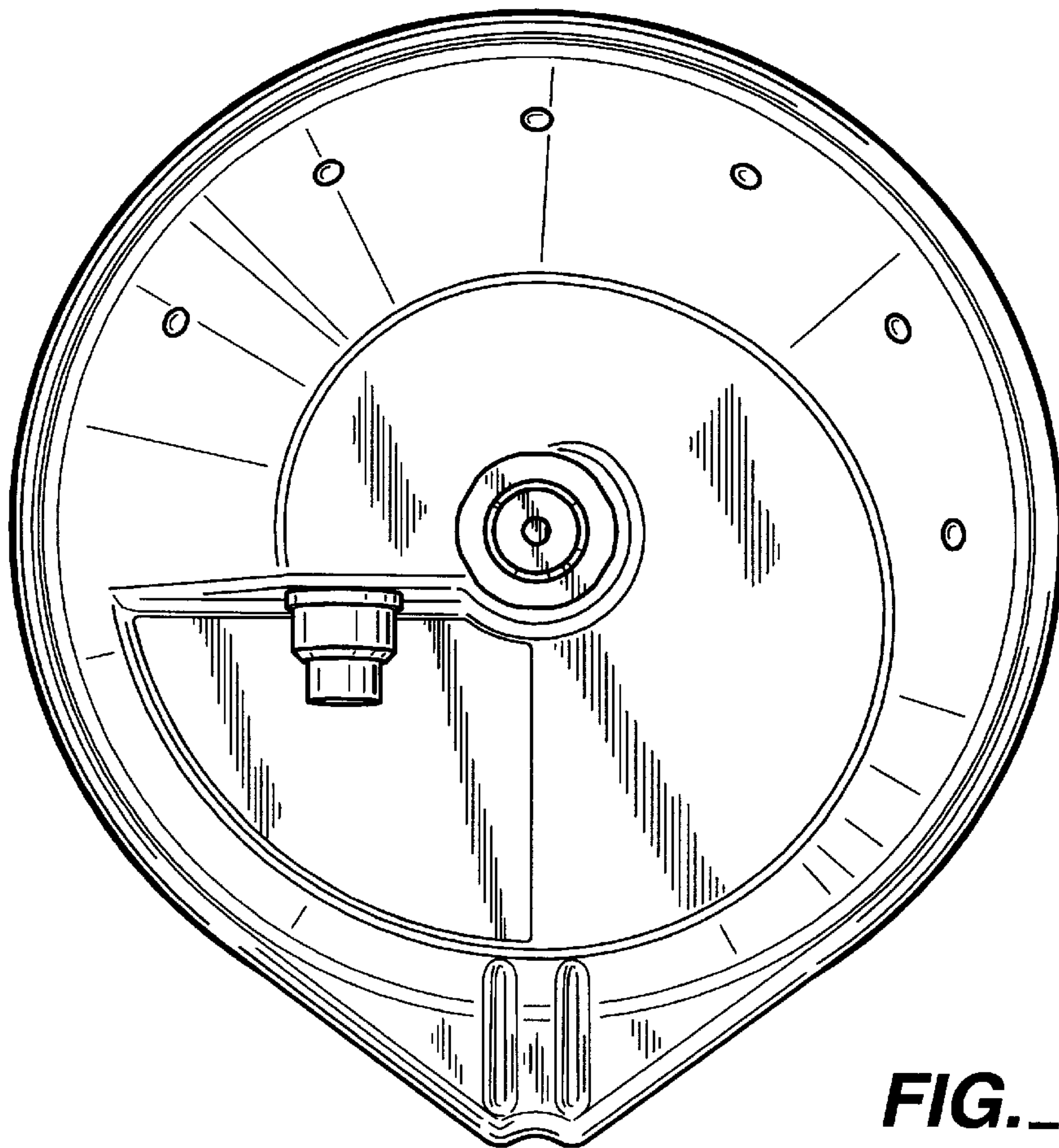


FIG. 8