



US00D442153S

(12) **United States Design Patent**  
**Lavelle et al.**

(10) **Patent No.:** **US D442,153 S**

(45) **Date of Patent:** **\*\* May 15, 2001**

(54) **CIRCULAR STOWABLE DISPLAY SYSTEM**

D. 416,015 \* 11/1999 Mitchell ..... D14/327  
D. 434,762 \* 12/2000 Ikenaga ..... D14/371

(75) Inventors: **Patrick M. Lavelle**, Sayville; **James R. Tranchina**, Dix Hills, both of NY (US)

\* cited by examiner

(73) Assignee: **Audiovox Corporation**, Hauppauge, NY (US)

*Primary Examiner*—Raphael Barkai

(74) *Attorney, Agent, or Firm*—F. Chau & Associates, LLP

(\*\*) Term: **14 Years**

(57) **CLAIM**

(21) Appl. No.: **29/131,773**

The ornamental design for a circular stowable display system, substantially as shown and described.

(22) Filed: **Oct. 27, 2000**

**DESCRIPTION**

(51) **LOC (7) Cl.** ..... **14-03**

(52) **U.S. Cl.** ..... **D14/126; D14/132**

(58) **Field of Search** ..... D14/125–136,  
D14/239, 371, 374, 315, 327; D12/418,  
345, 415; D6/432, 436, 445, 448; 296/37.1,  
37.8, 37.7, 70; 224/311, 539; 348/180,  
184, 325, 739, 825

FIG. 1 is a perspective view of the circular stowable display system in accordance with the present invention, with the display being depicted in a stowed orientation;

FIG. 2 is a top view thereof with the display in the stowed orientation;

FIG. 3 is a right-side view thereof with the display in the stowed orientation;

FIG. 4 is a right-side view thereof with the display in a deployed orientation; and,

FIG. 5 is a perspective view thereof with the display in a deployed orientation.

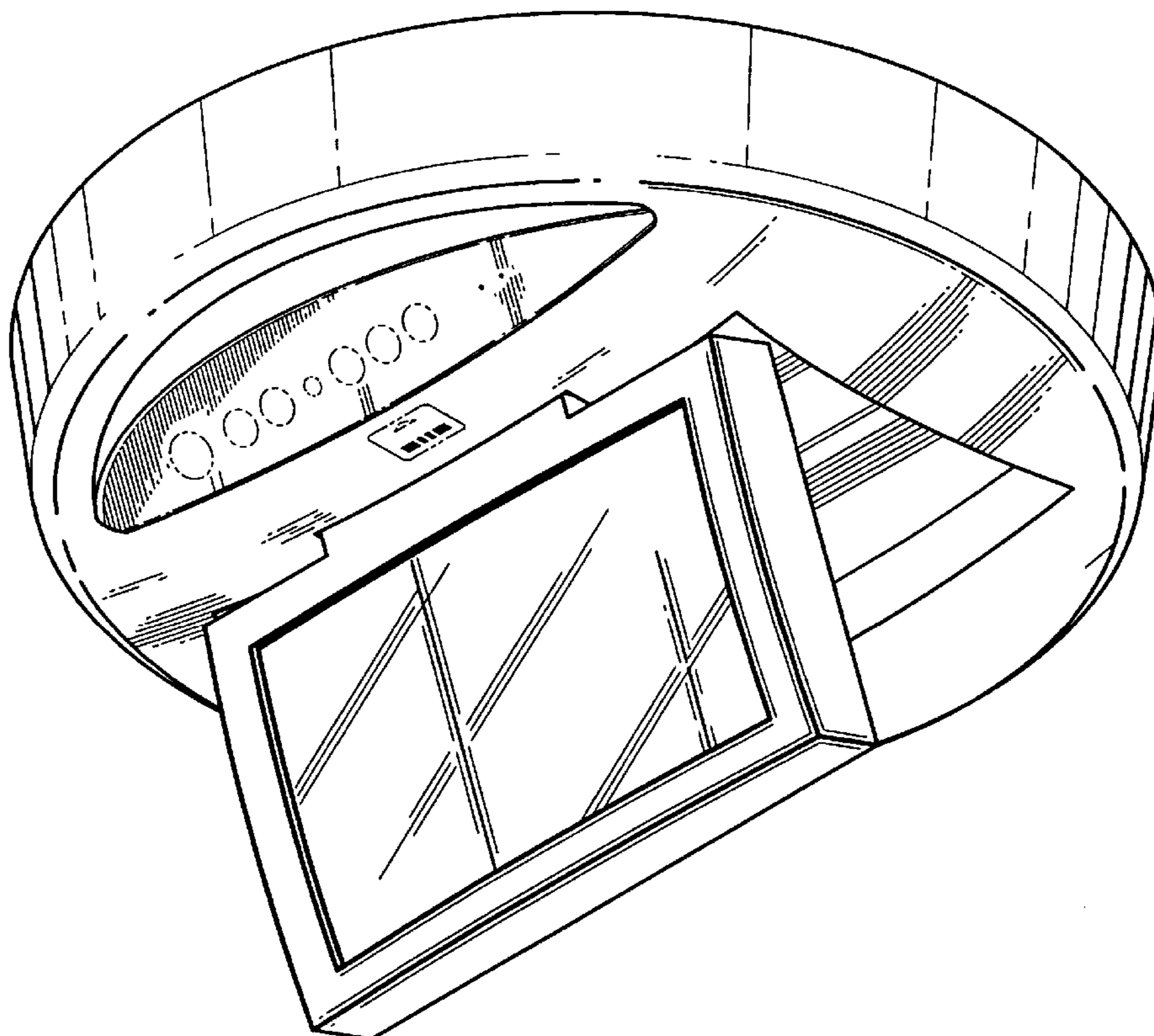
(56) **References Cited**

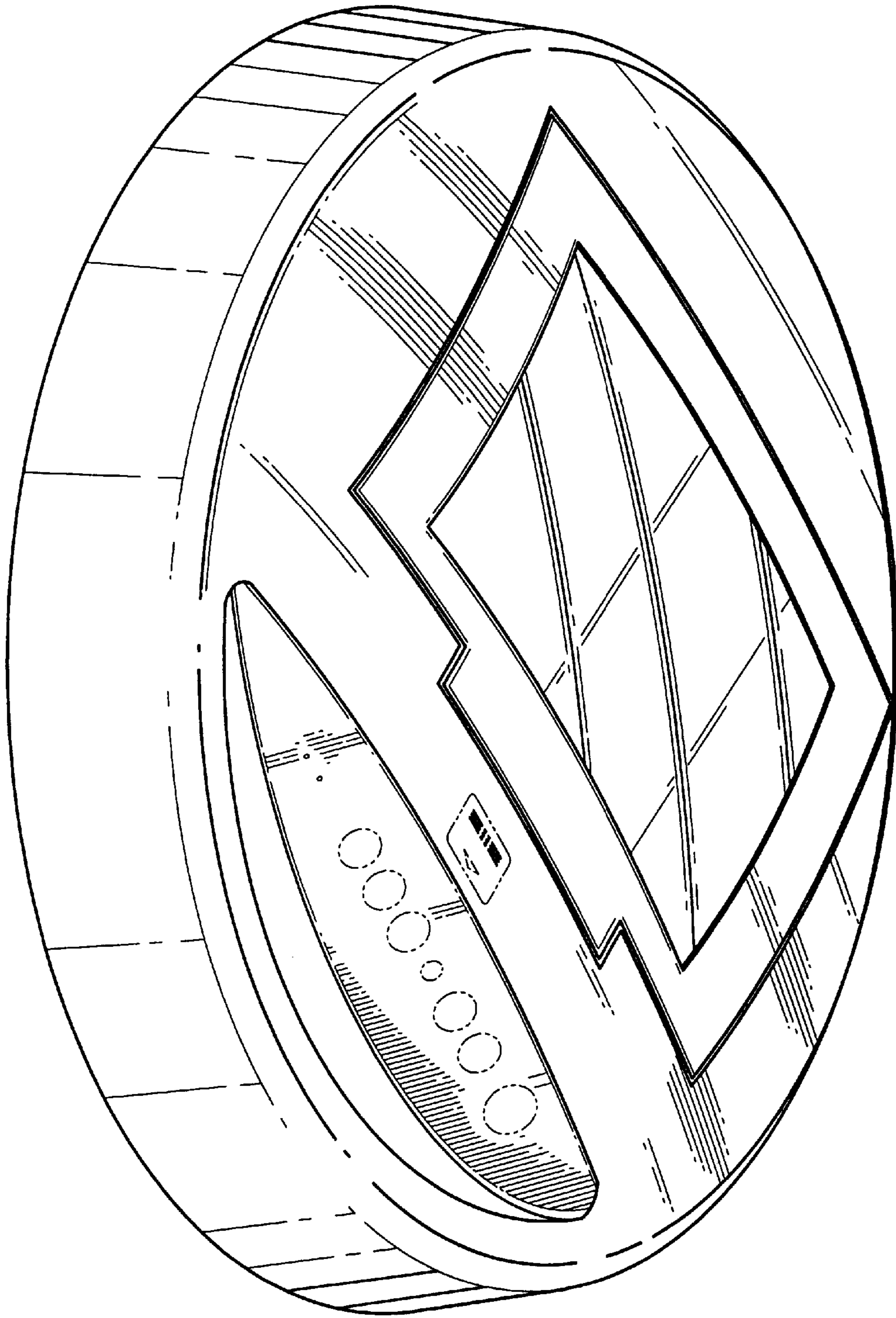
**U.S. PATENT DOCUMENTS**

- D. 324,044 \* 2/1992 Katayama ..... D14/129
- D. 330,545 \* 10/1992 Ashihara ..... D14/374
- D. 391,926 \* 3/1998 Brunner ..... D14/132
- D. 412,701 \* 8/1999 Cantu ..... D14/315
- D. 412,892 \* 8/1999 Lee ..... D14/126
- D. 413,856 \* 9/1999 Scribner ..... D14/132

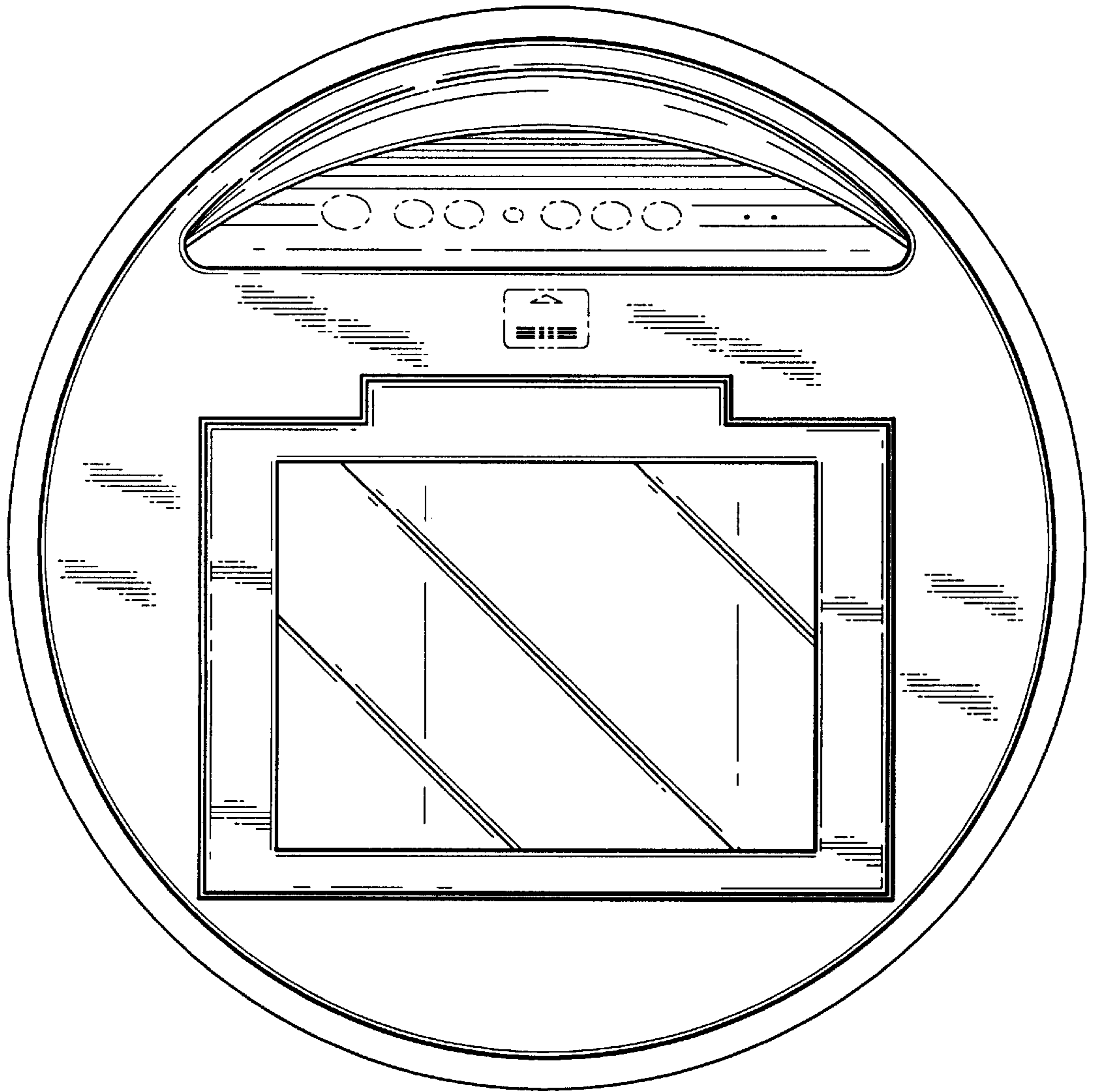
The broken lines shown in FIGS. 1–5 are for illustrative purposes as an environment and form no part of the claimed design.

**1 Claim, 4 Drawing Sheets**

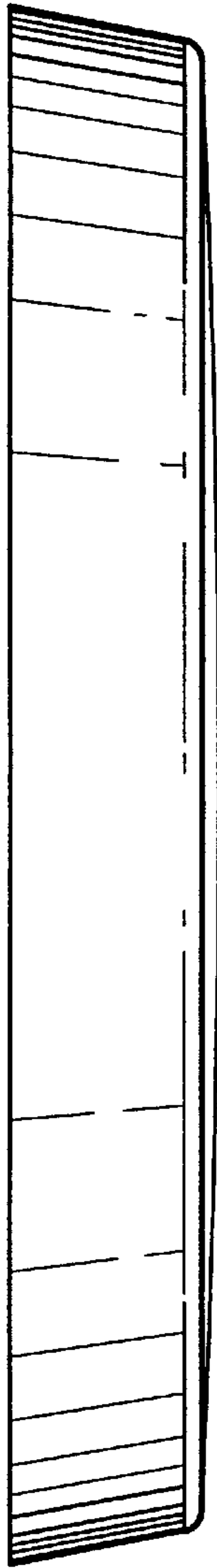




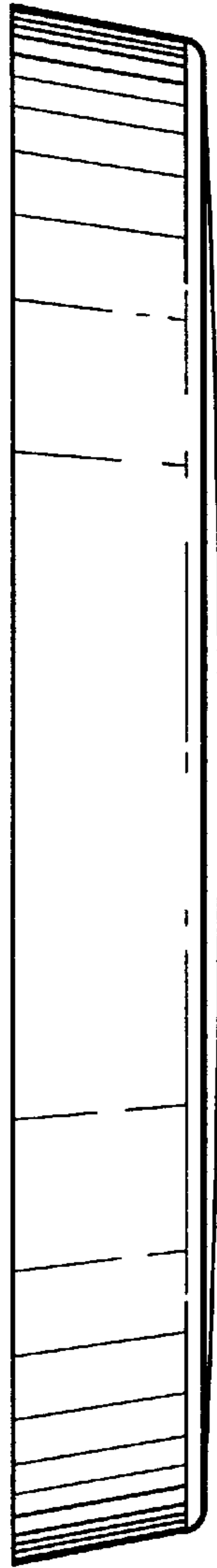
**FIG. 1**



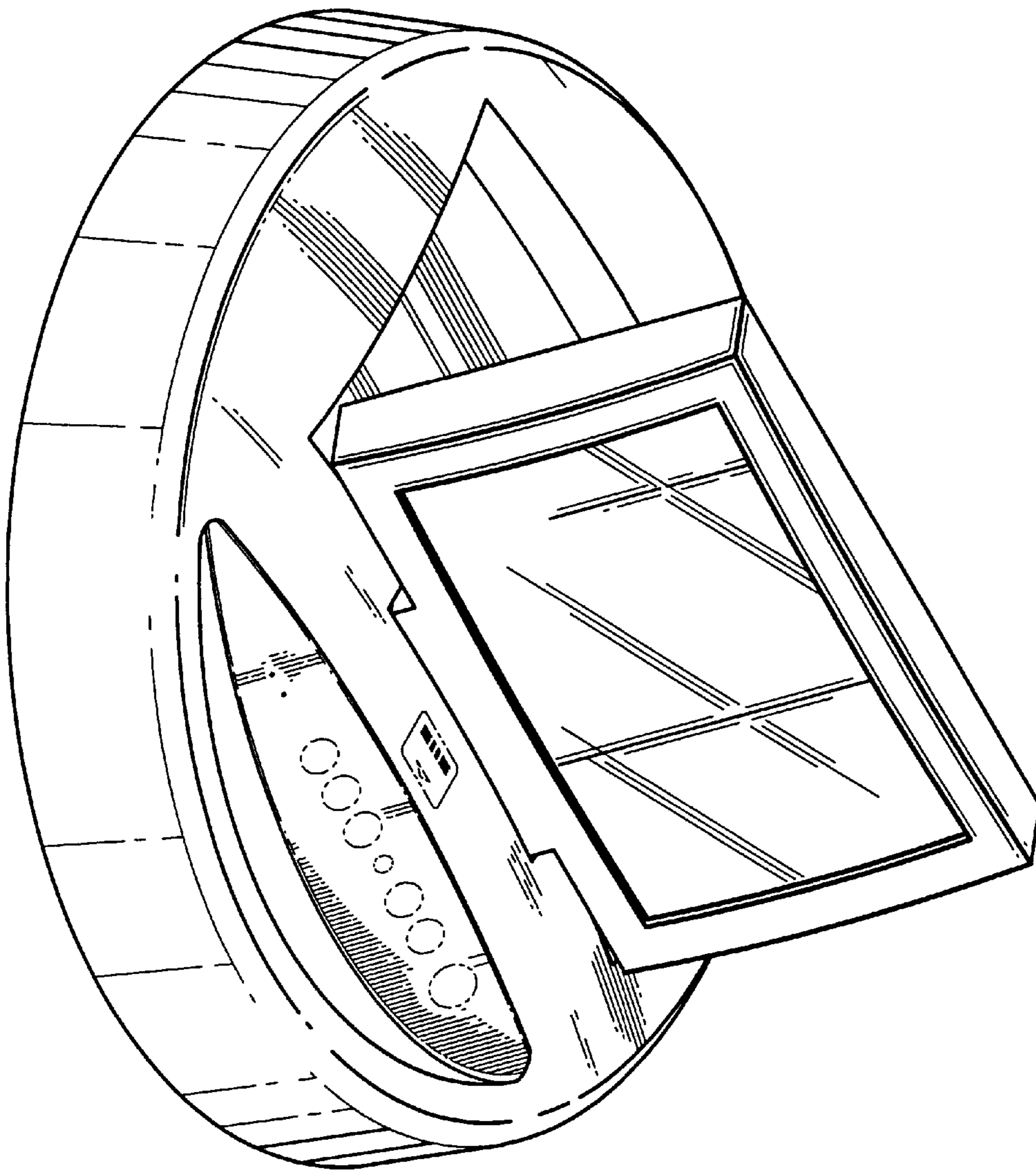
**FIG. 2**



**FIG. 3**



**FIG. 4**



**FIG. 5**