



US00D442148S

(12) **United States Design Patent**
Renne et al.

(10) **Patent No.:** **US D442,148 S**

(45) **Date of Patent:** **** May 15, 2001**

(54) **FUSE BOX WITH EXTRACTORS**

(74) *Attorney, Agent, or Firm*—Seed IP Law Group PLLC

(75) **Inventors:** **Scott W. Renne**, Bellingham; **Kevin L. Lacy**; **Keith W. Bloch**, both of Lynden, all of WA (US)

(57) **CLAIM**

The ornamental design for a fuse box with extractors, as shown and described.

(73) **Assignee:** **Blue Sea Systems**, Bellingham, WA (US)

DESCRIPTION

(**) **Term:** **14 Years**

(21) **Appl. No.:** **29/123,632**

FIG. 1 is a front perspective view of a fuse box with extractors showing our new design.

(22) **Filed:** **May 19, 2000**

FIG. 2 is a front perspective view thereof with the cover removed.

(51) **LOC (7) Cl.** **13-03**

(52) **U.S. Cl.** **D13/178**

(58) **Field of Search** D13/146, 147, D13/151, 161, 178; 337/181, 186-189, 194-196, 205, 213; 439/621, 622, 698; 361/642, 833, 834

FIG. 3 is a front elevational view thereof with the cover removed.

FIG. 4 is a rear elevational view thereof with the cover removed.

FIG. 5 is a left side elevational view thereof with the cover removed.

FIG. 6 is a right side elevational view thereof with the cover removed.

(56) **References Cited**

U.S. PATENT DOCUMENTS

D. 406,111 * 2/1999 Awbrey D13/178
5,167,541 * 12/1992 Alves et al. 439/622

FIG. 7 is a top plan view thereof with the cover removed; and,

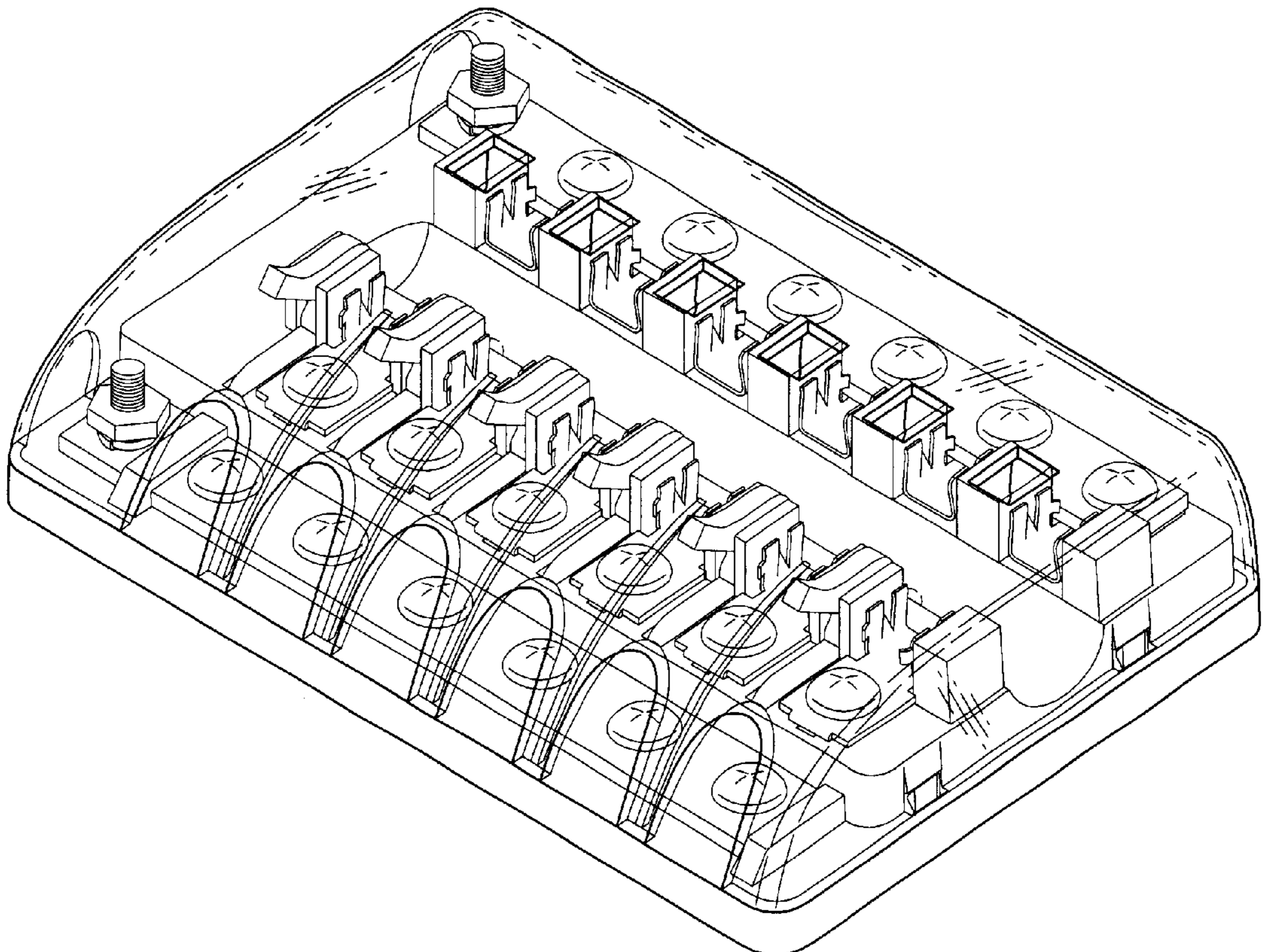
FIG. 8 is a bottom plan view thereof.

The cover portion is omitted from FIGS. 3-8 for clarity of illustration, and the broken-line disclosure of a fuse in the views is for illustrative purposes only and forms no part of the claimed design.

* cited by examiner

Primary Examiner—Brian N. Vinson

1 Claim, 5 Drawing Sheets



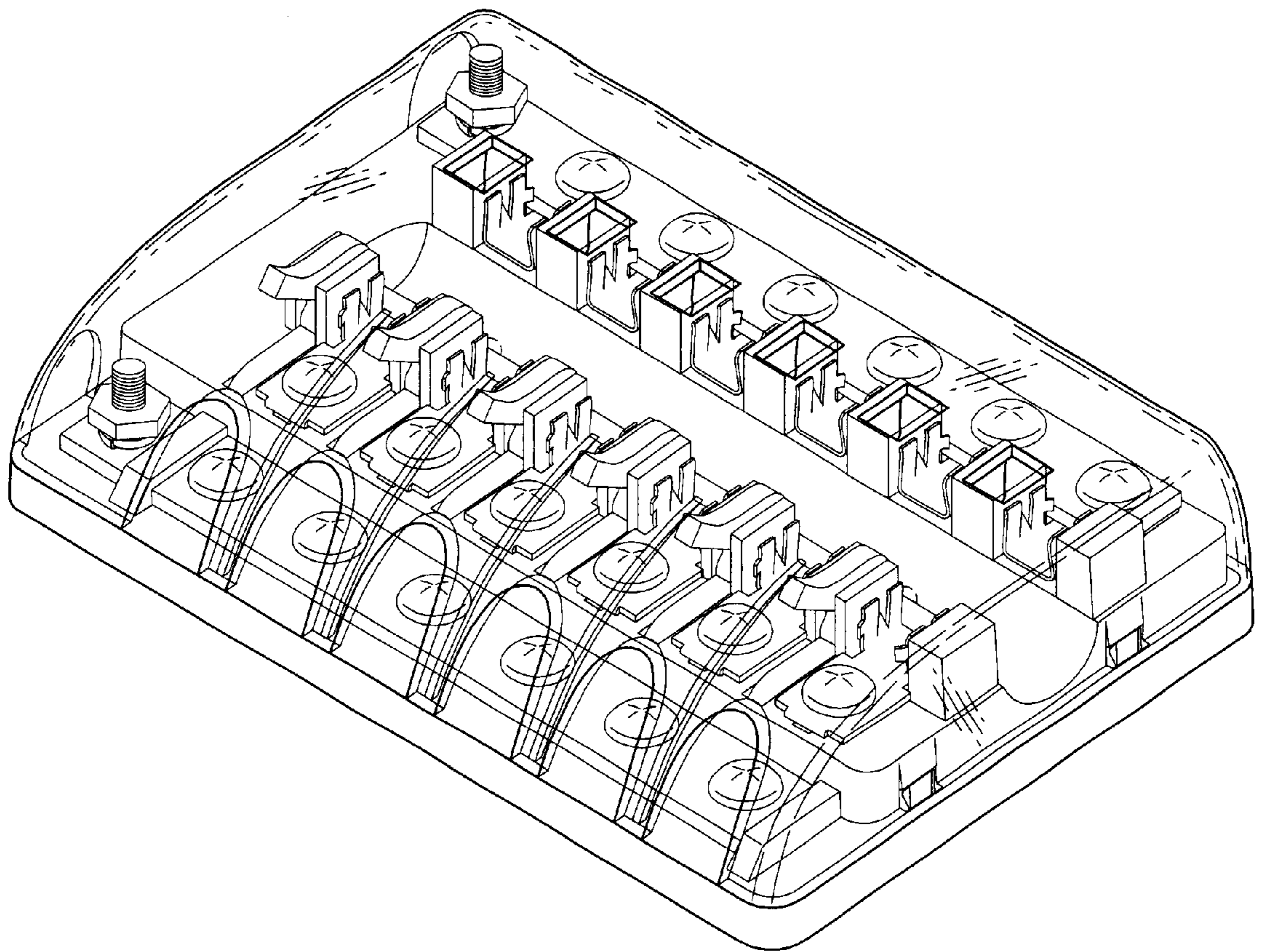


Fig. 1

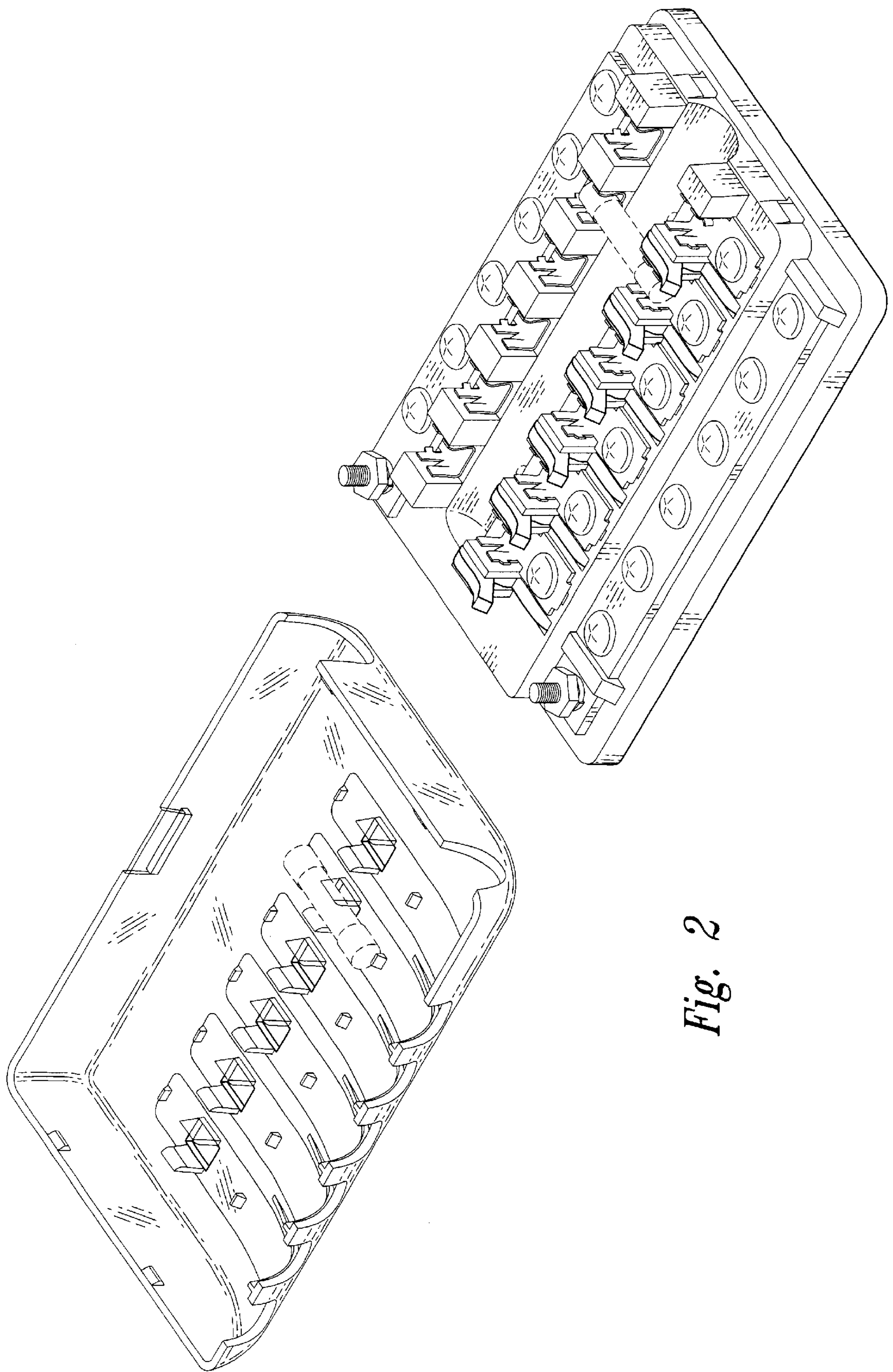


Fig. 2

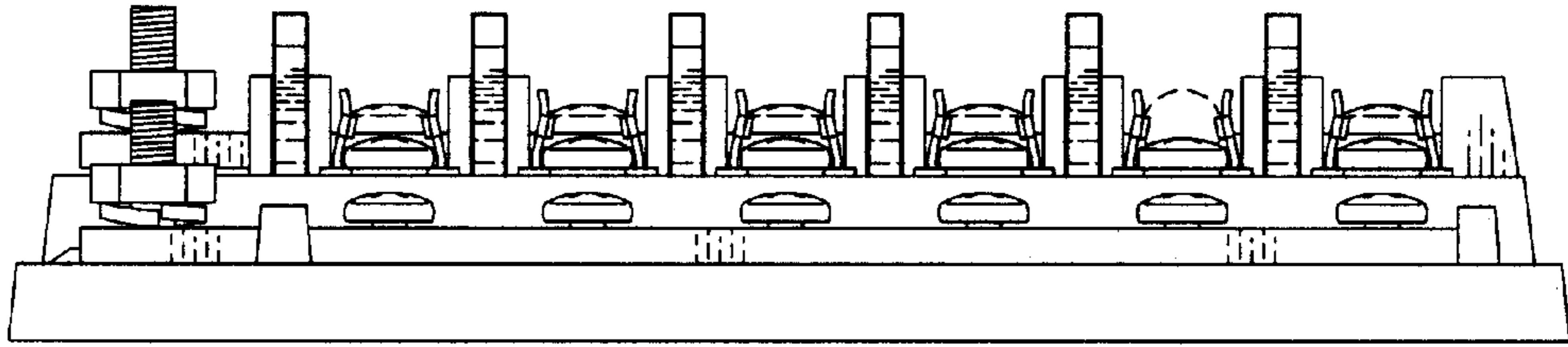


Fig. 3

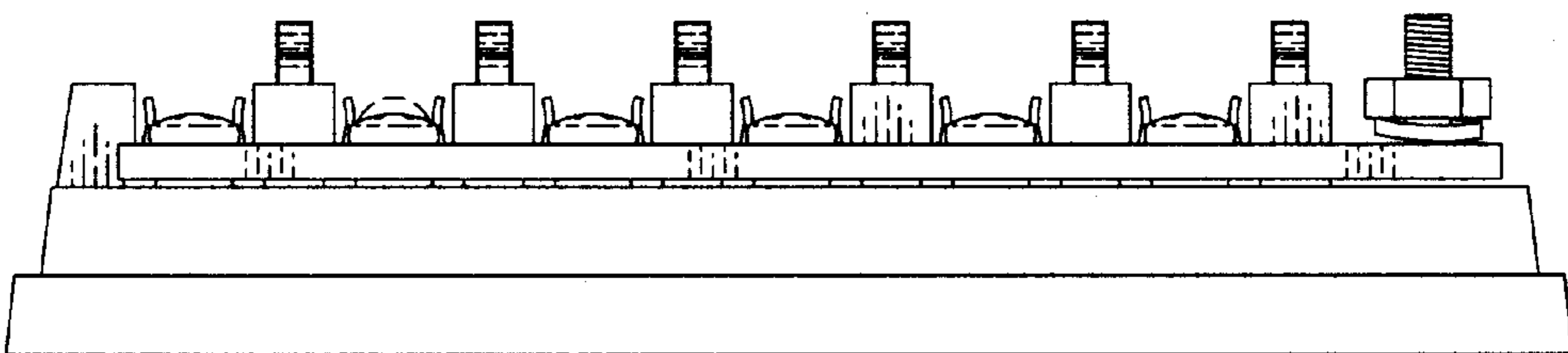


Fig. 4

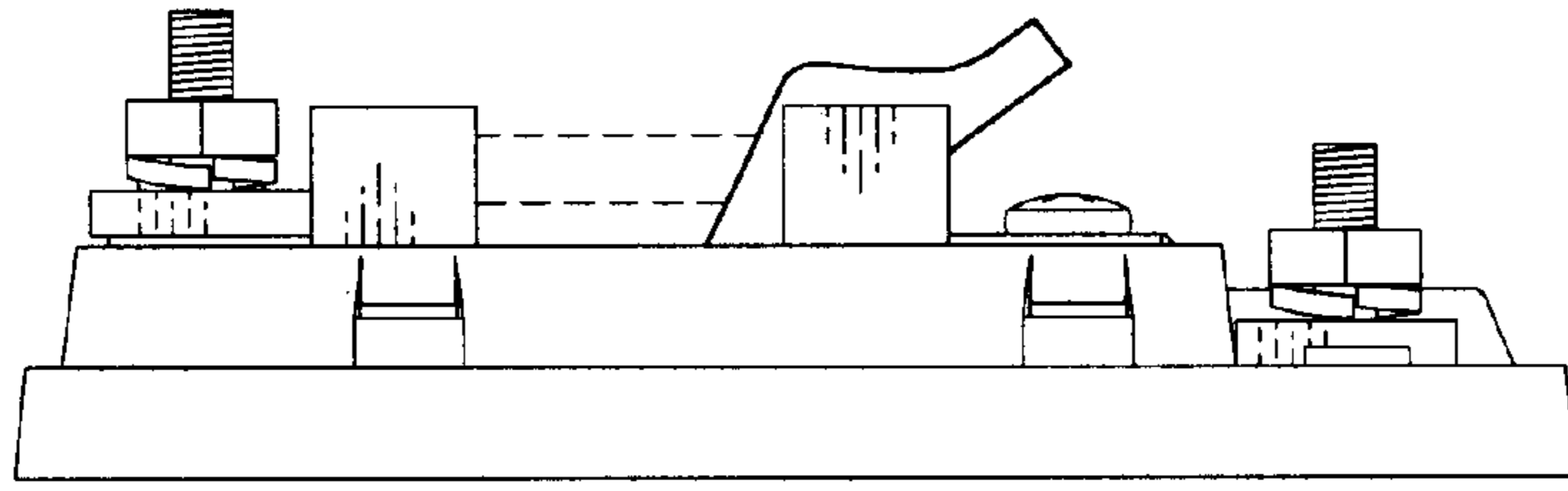


Fig. 5

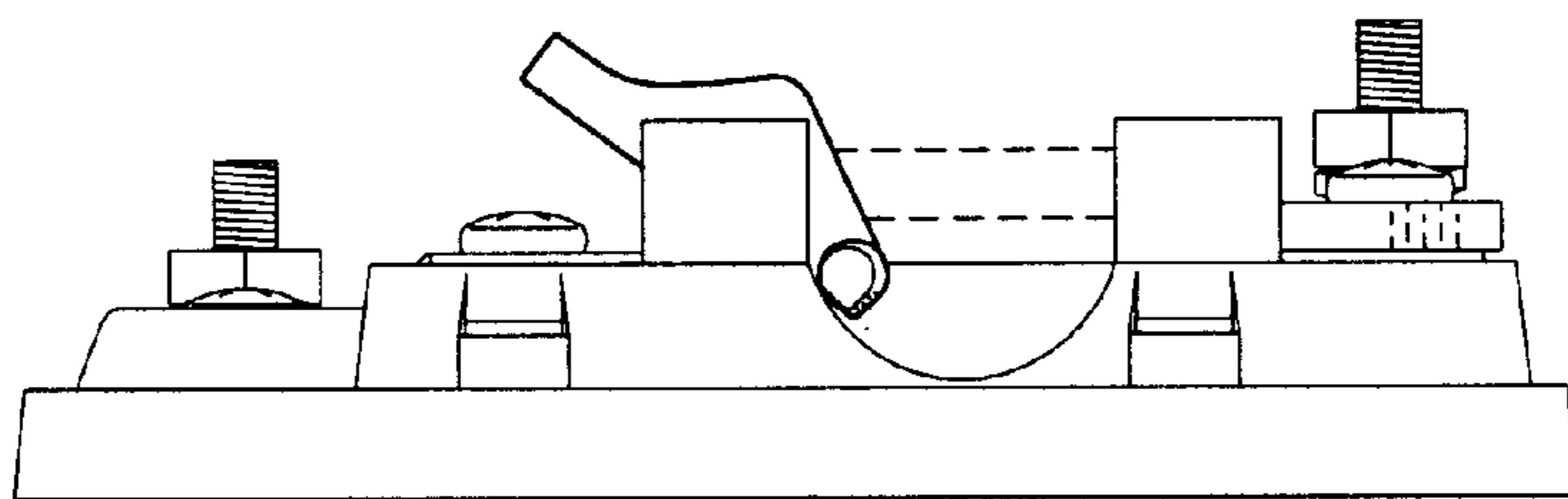


Fig. 6

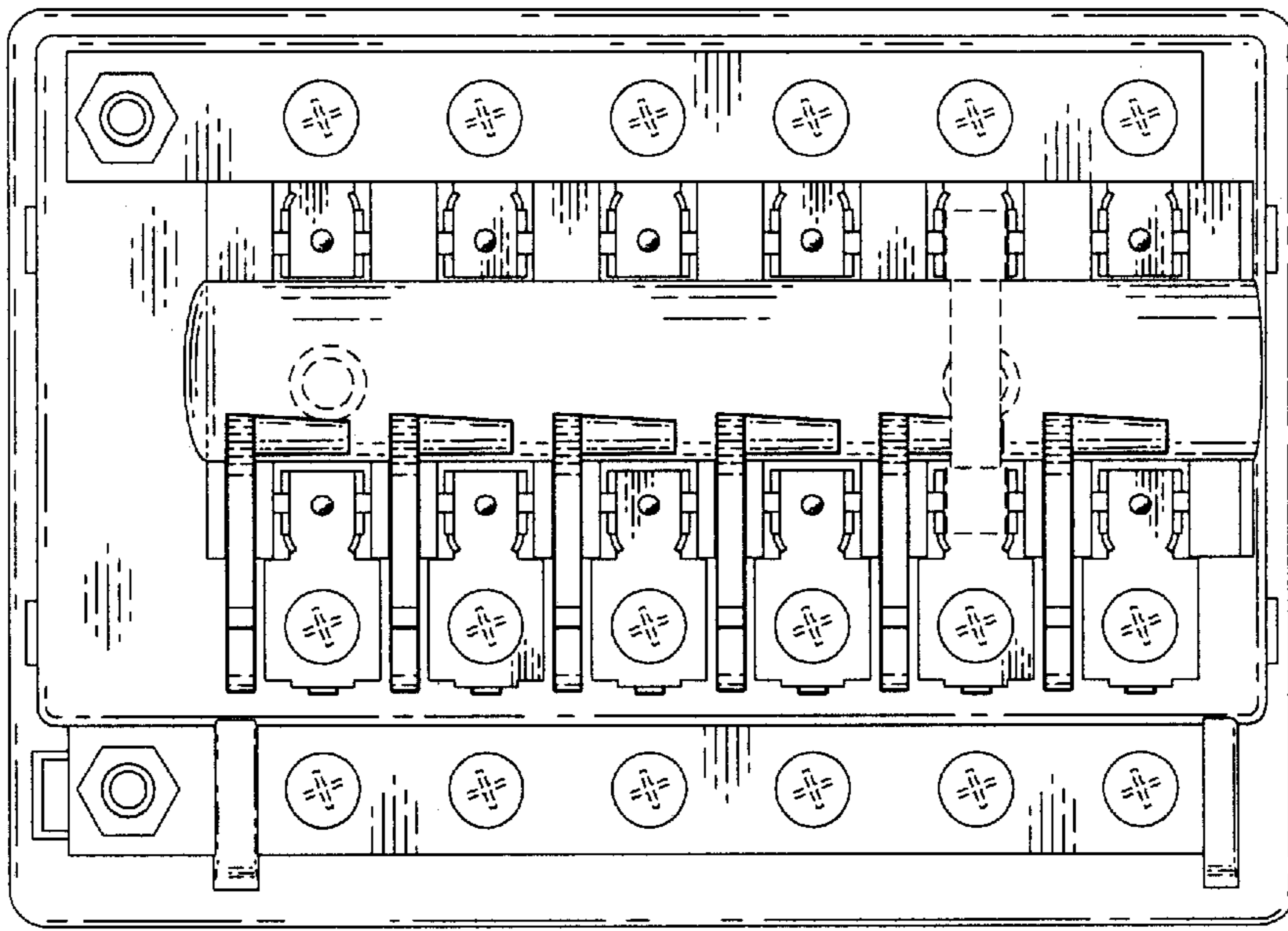


Fig. 7

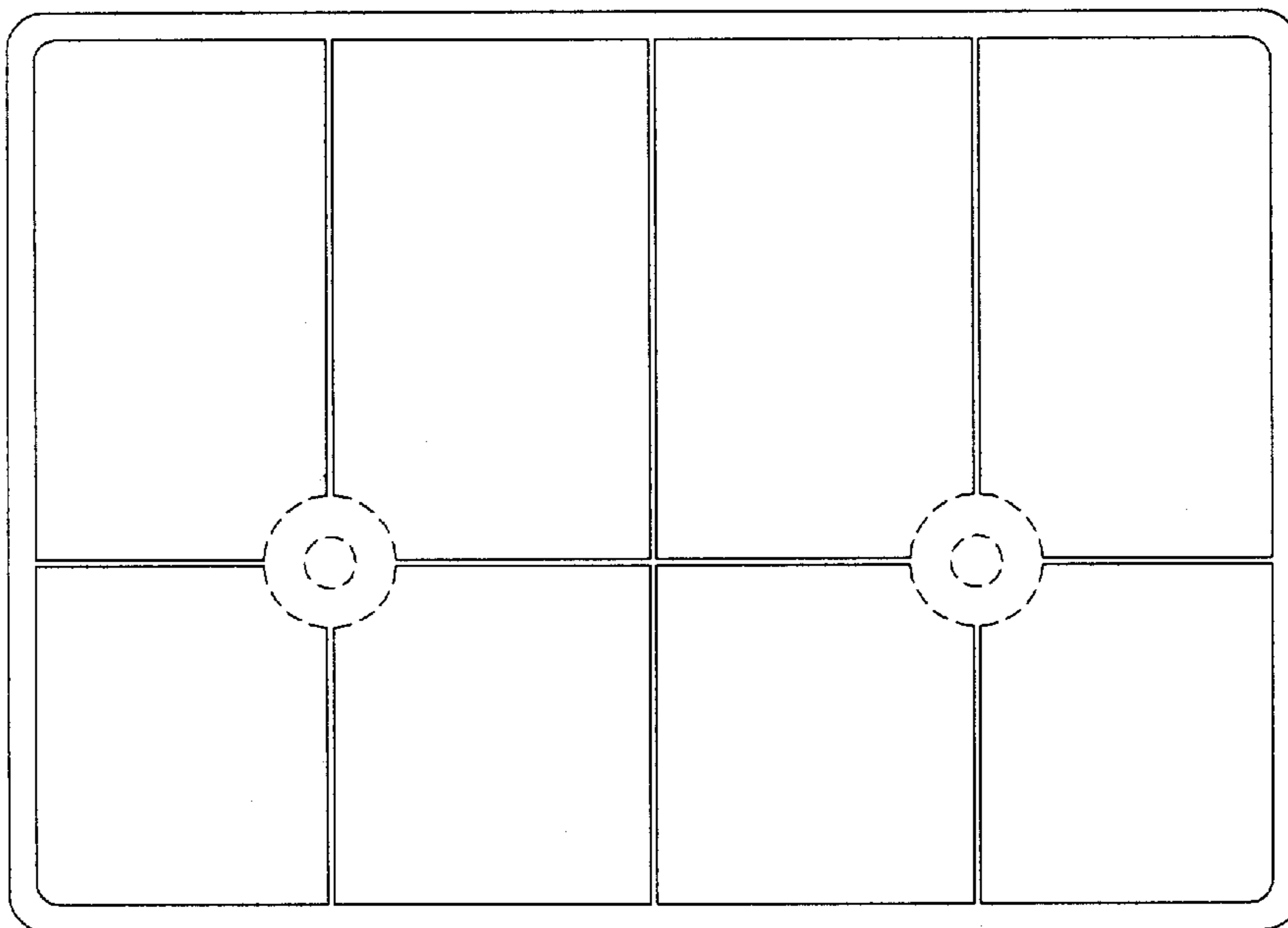


Fig. 8