



US00D442147S

(12) **United States Design Patent**
Tamura

(10) **Patent No.:** **US D442,147 S**

(45) **Date of Patent:** **** May 15, 2001**

(54) **OPERATION SWITCH FOR SOLENOID VALVE**

(75) Inventor: **Tetsuo Tamura**, Tsukuba-gun (JP)

(73) Assignee: **SMC Corporation**, Tokyo (JP)

(**) Term: **14 Years**

(21) Appl. No.: **29/093,653**

(22) Filed: **Sep. 15, 1998**

(30) **Foreign Application Priority Data**

Mar. 17, 1998 (JP) 10-7399

(51) **LOC (7) Cl.** **13-03**

(52) **U.S. Cl.** **D13/164; D13/166; D13/169**

(58) **Field of Search** D13/158, 162,
D13/164, 166, 169; 200/1 R, 5 R, 51 R,
52 R, 61.04, 61.25, 401, 81 R, 237, 293,
329

(56) **References Cited**

U.S. PATENT DOCUMENTS

- D. 248,391 * 7/1978 Barlett D13/164
- D. 264,243 * 5/1982 Merker D13/164 X
- D. 266,500 * 10/1982 Garbe D13/164
- D. 313,972 * 1/1991 Hansen D13/164

* cited by examiner

Primary Examiner—Brian N. Vinson

(74) *Attorney, Agent, or Firm*—Oblon, Spivak, McClelland,
Maier & Neustadt, P.C.

(57) **CLAIM**

The ornamental design for a operation switch for solenoid valve, as shown and described.

DESCRIPTION

FIG. 1 is a top, front and right side perspective view of a operation switch for solenoid valve embodying my new design;

FIG. 2 is a bottom, rear and left side perspective view thereof;

FIG. 3 is a front elevational view thereof;

FIG. 4 is a rear elevational view thereof;

FIG. 5 is a top plan view thereof;

FIG. 6 is a bottom plan view thereof;

FIG. 7 is a right side elevational view thereof;

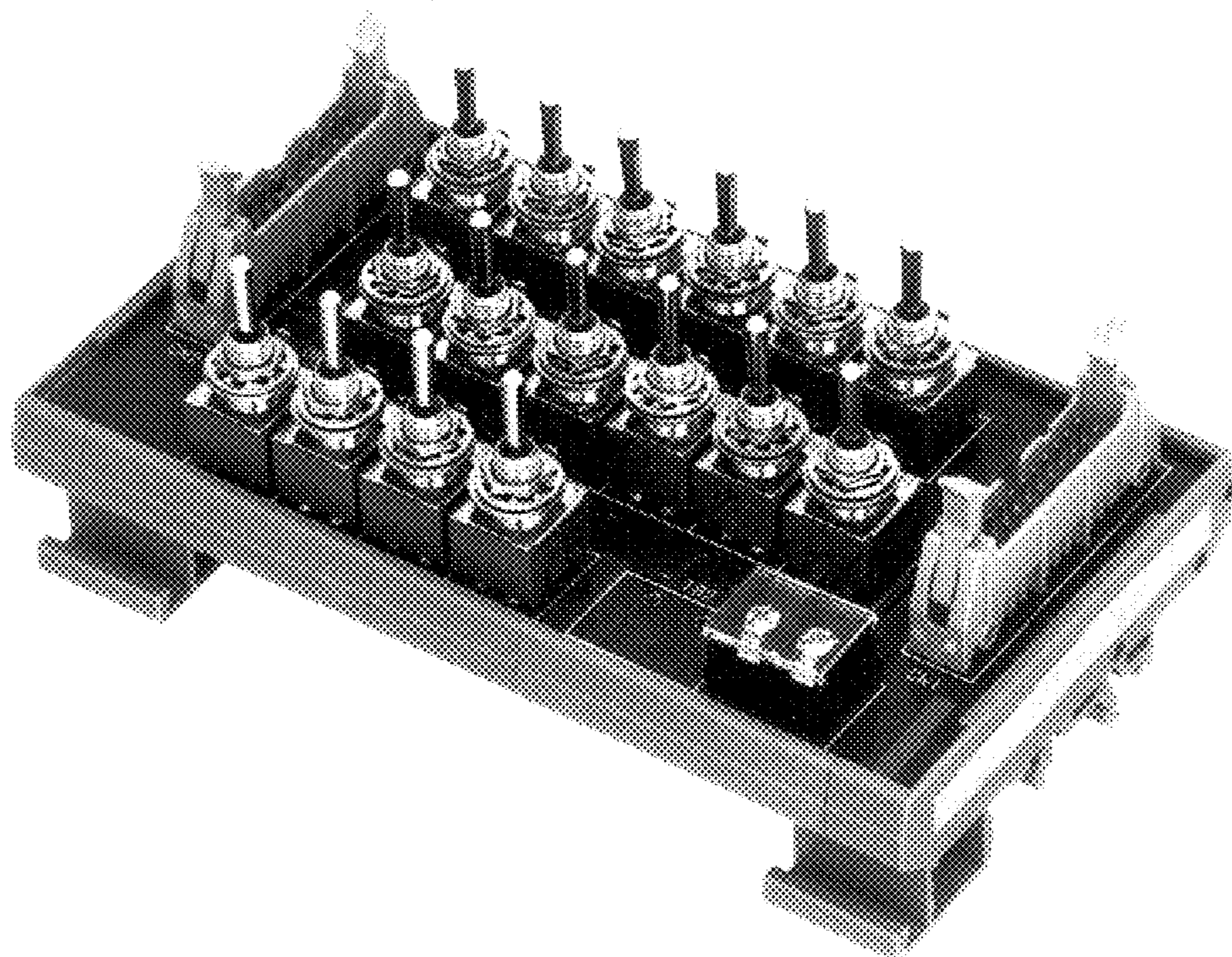
FIG. 8 is left side elevational view thereof;

FIG. 9 is a top, front and left side elevational view thereof showing the operational switch for a solenoid valve when in use with a mounting rail, a transmission unit and a solenoid valve assembly; and,

FIG. 10 is a bottom, rear and left side view thereof shown the operational switch for solenoid valve when in use with the mounting rail, transmission unit and solenoid valve assembly.

The indicia shown in FIGS. 1 and 5 as well as the mounting rail, transmission unit and solenoid valve assembly illustrated in FIGS. 9 and 10 are shown for illustrative purposes only and form no part of the claimed design.

1 Claim, 5 Drawing Sheets



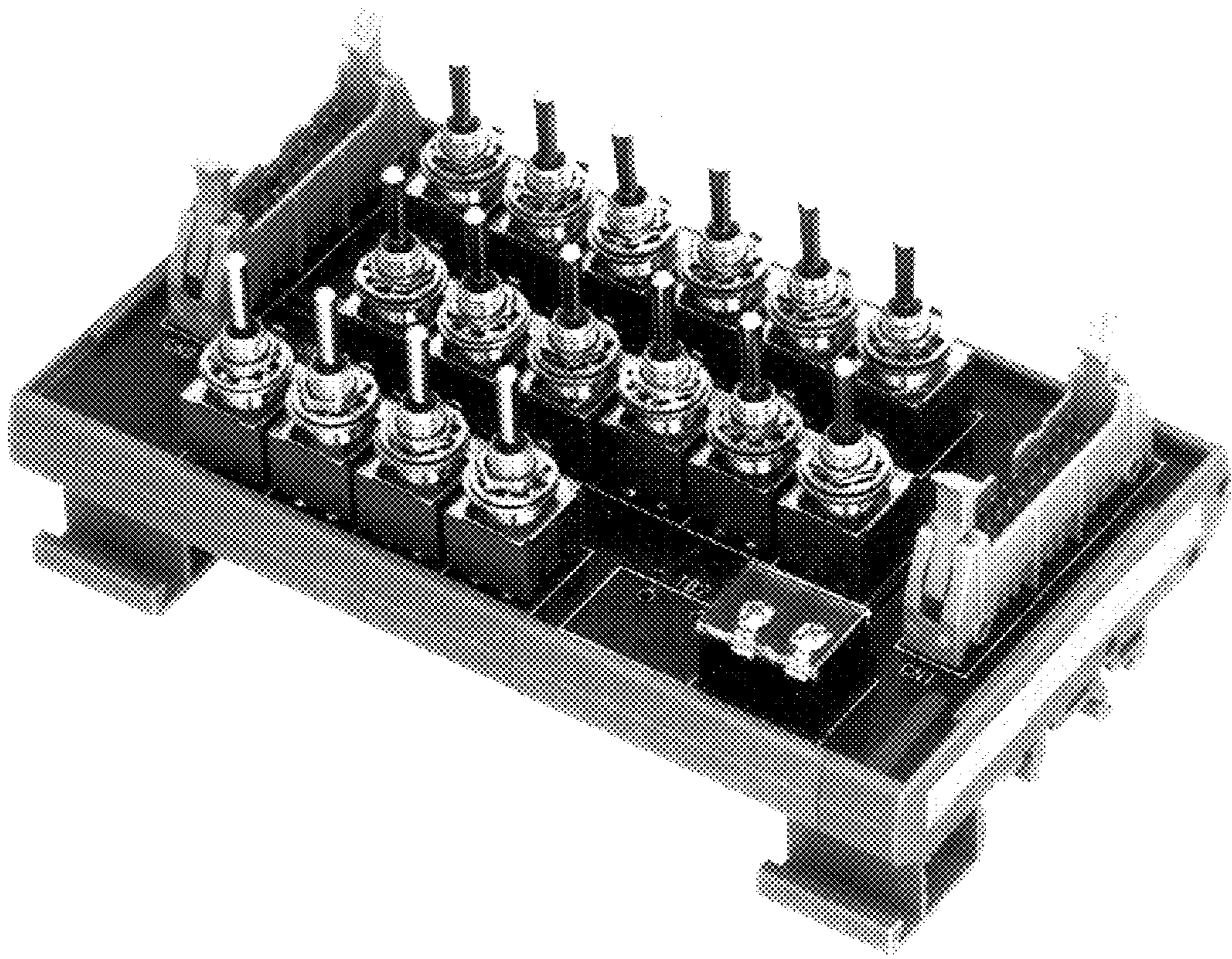


FIG. 1

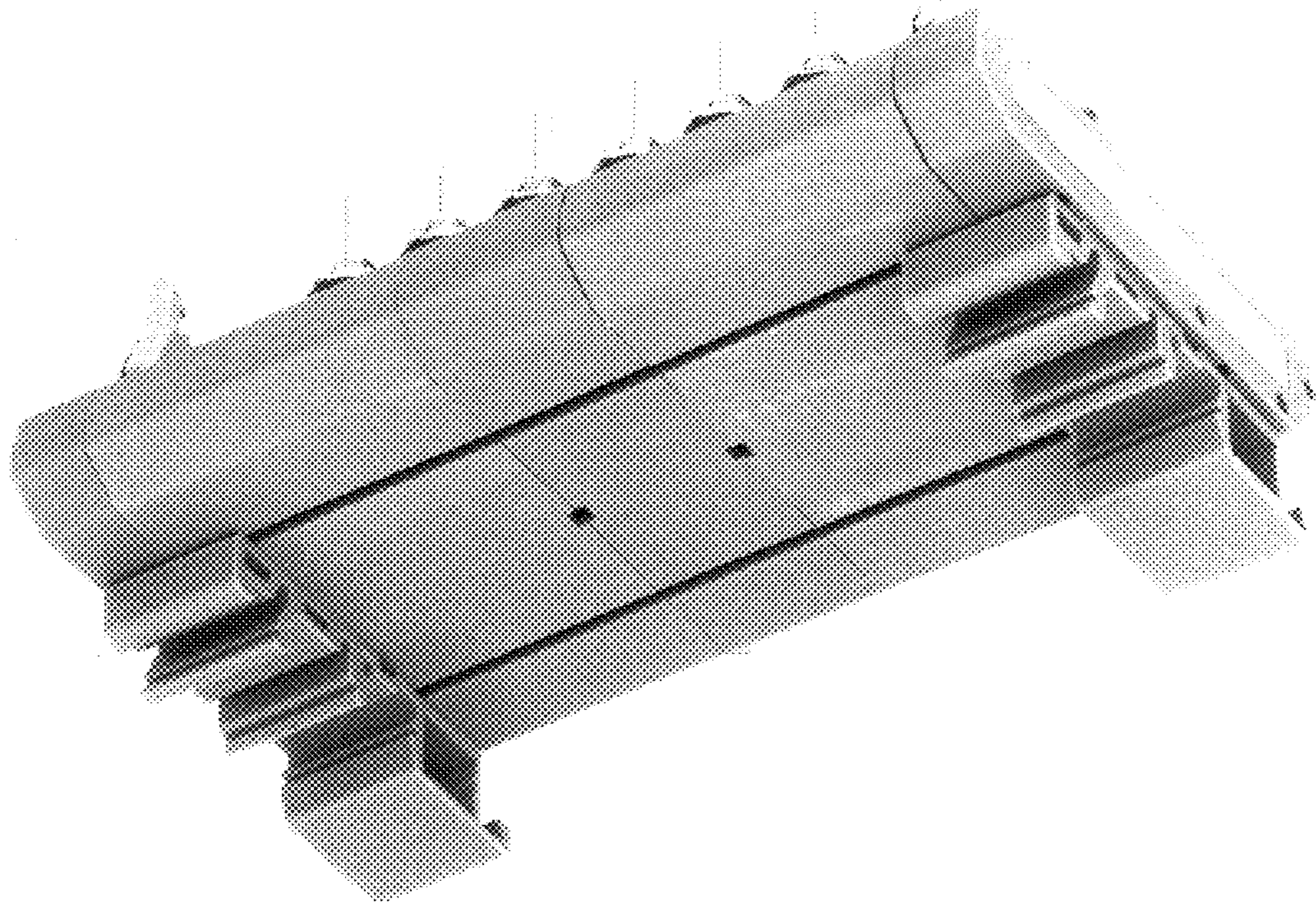


FIG. 2

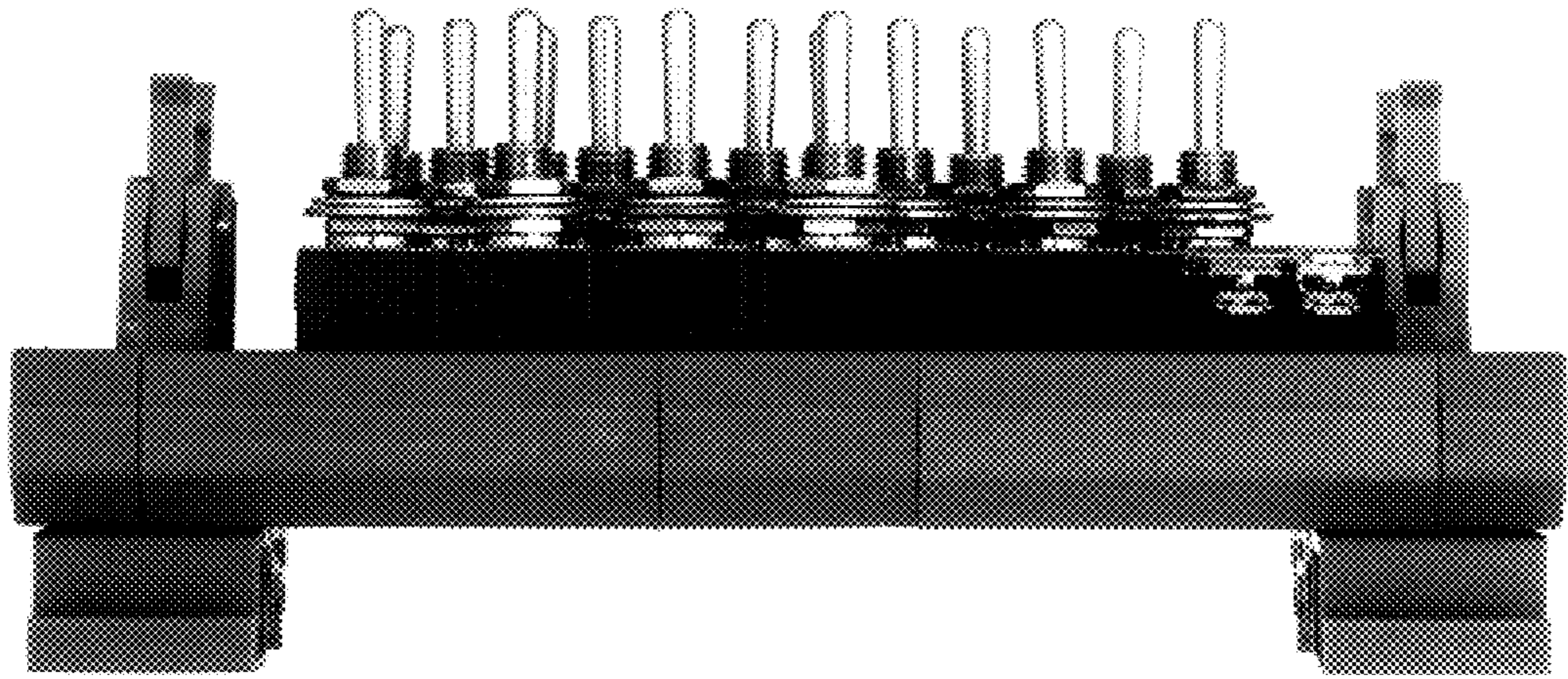


FIG. 3

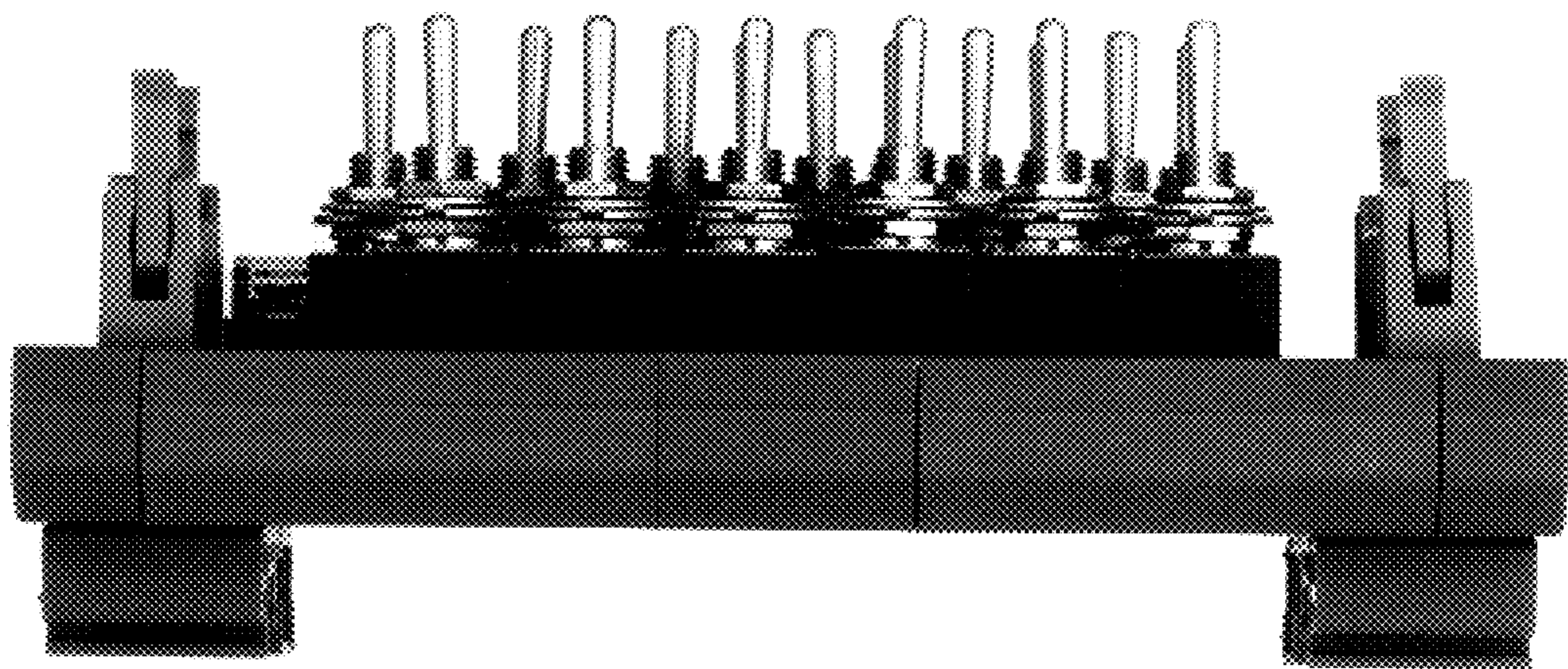


FIG. 4

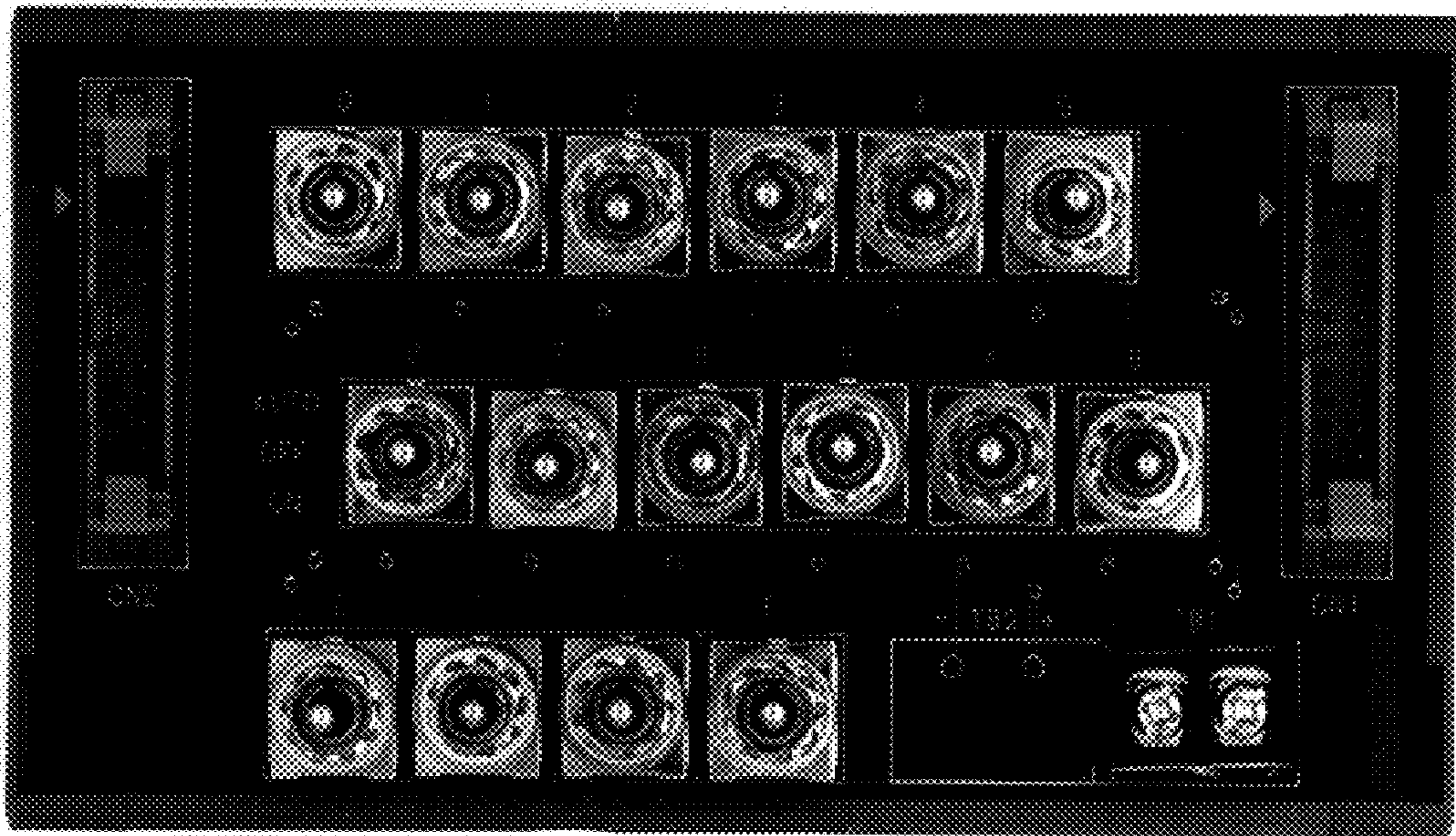


FIG. 5

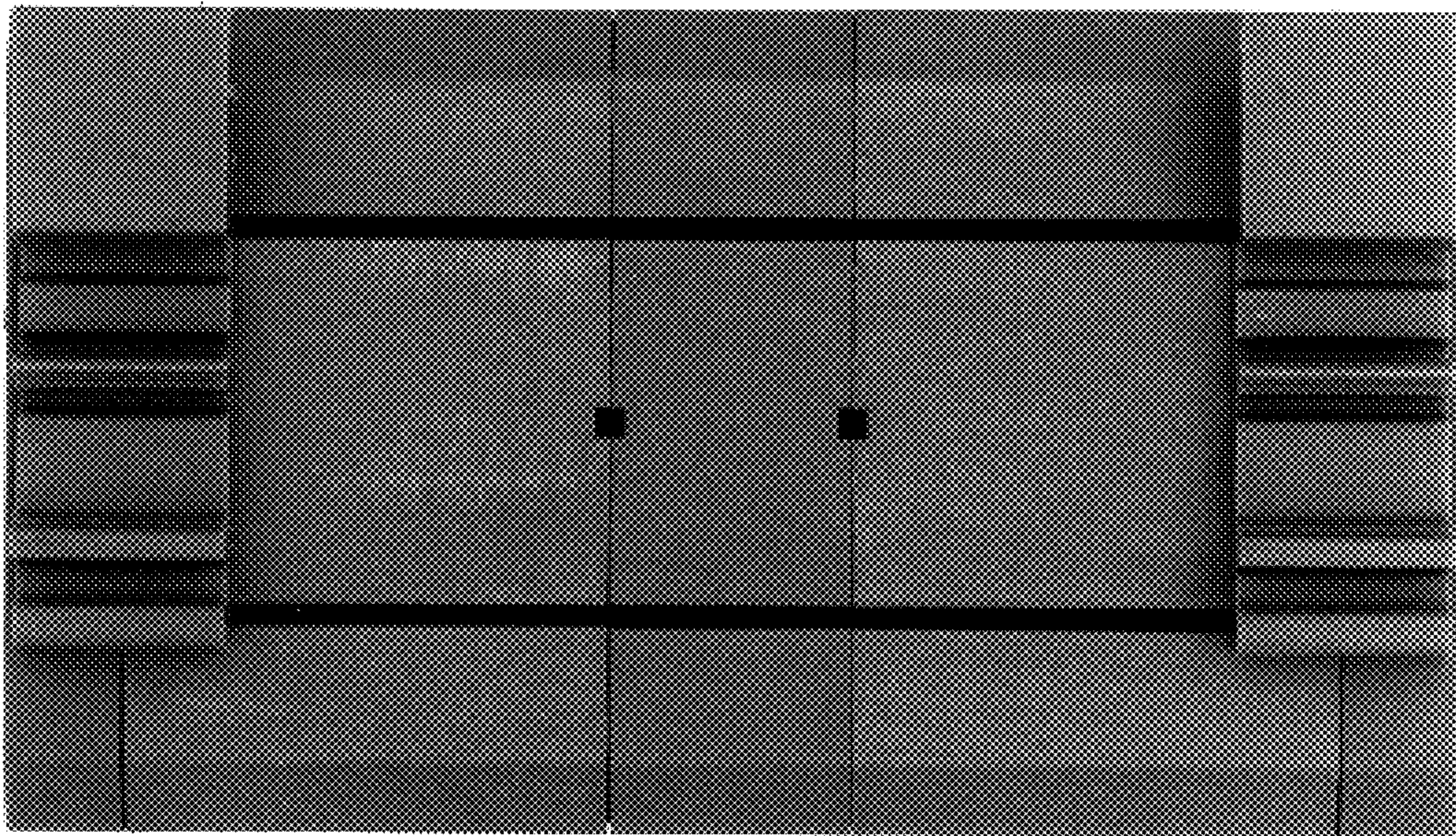


FIG. 6

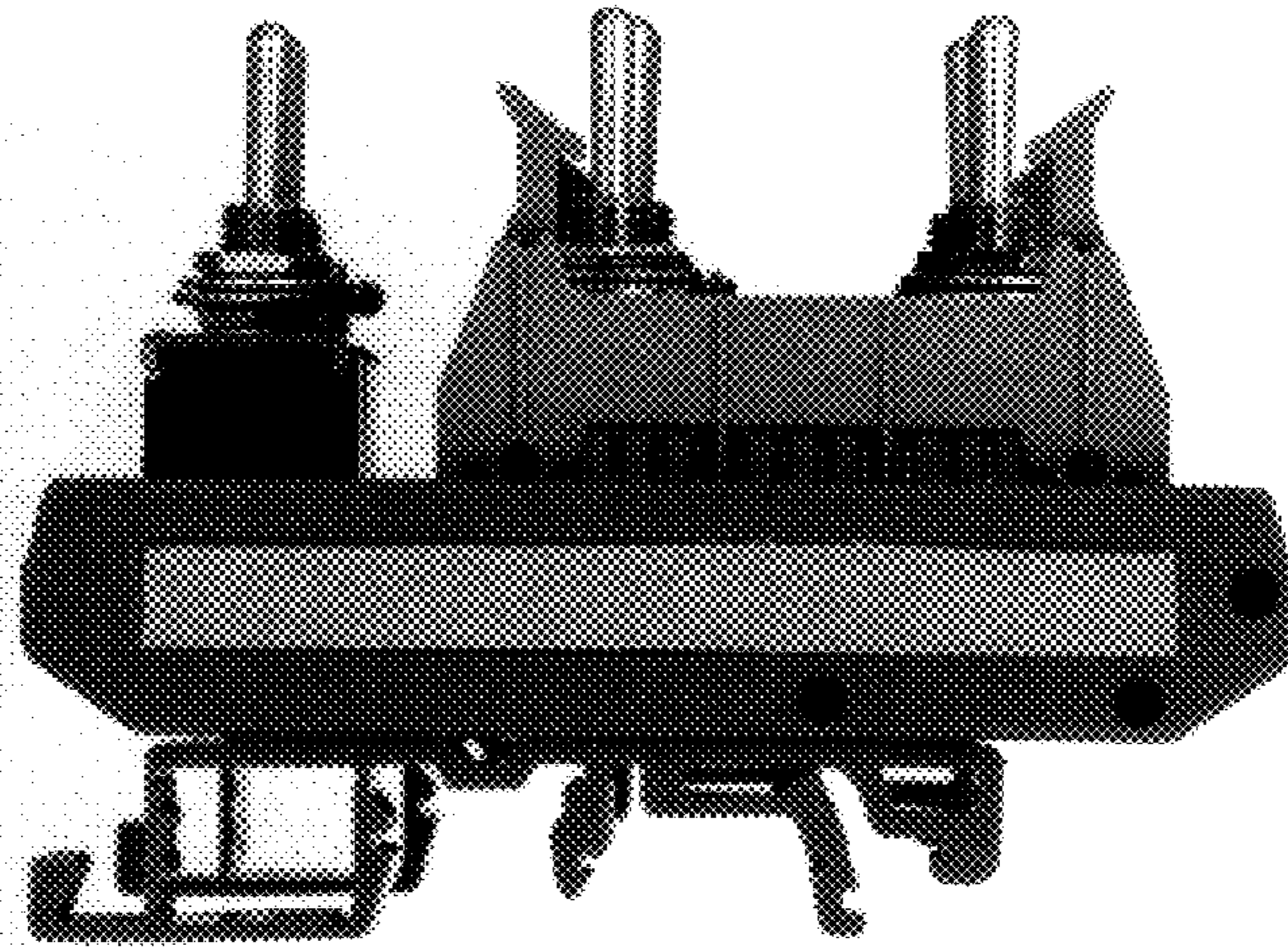


FIG. 7

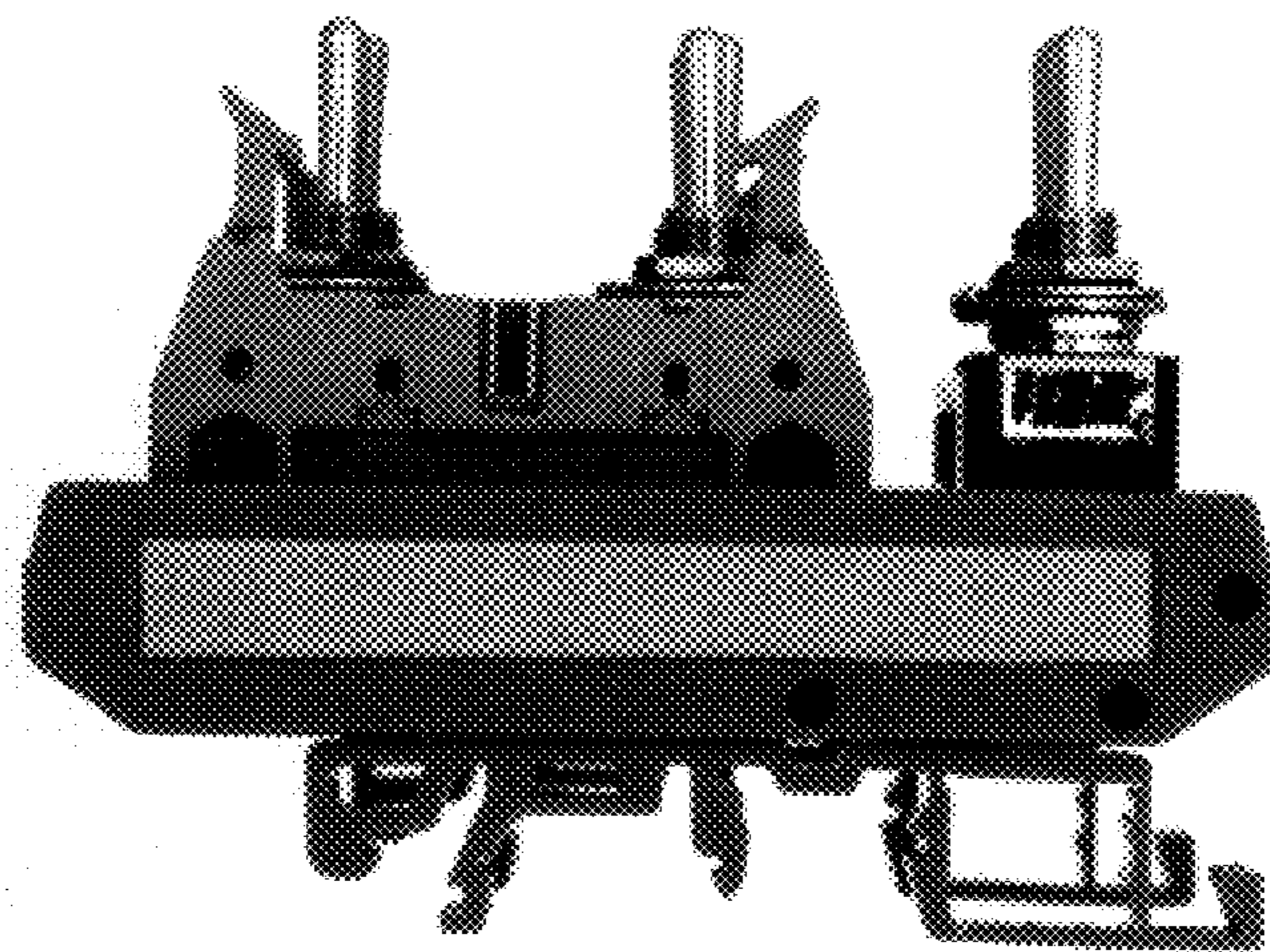


FIG. 8

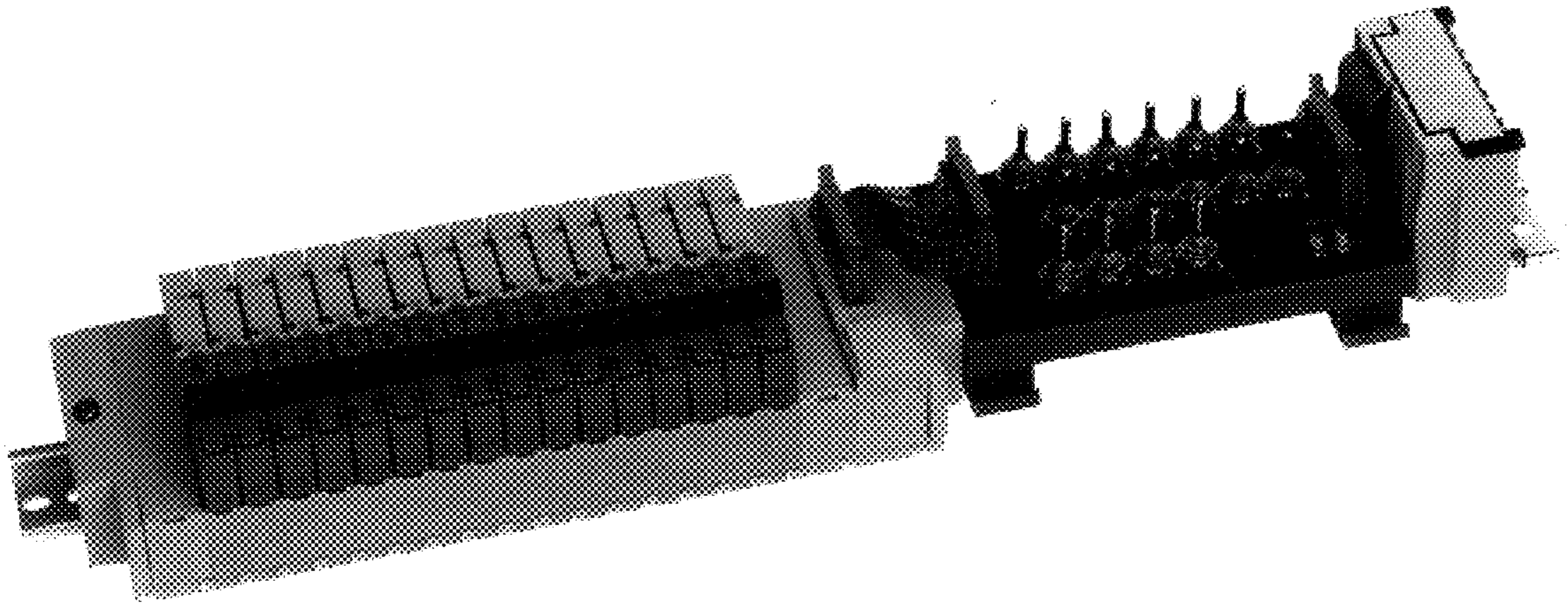


FIG. 9

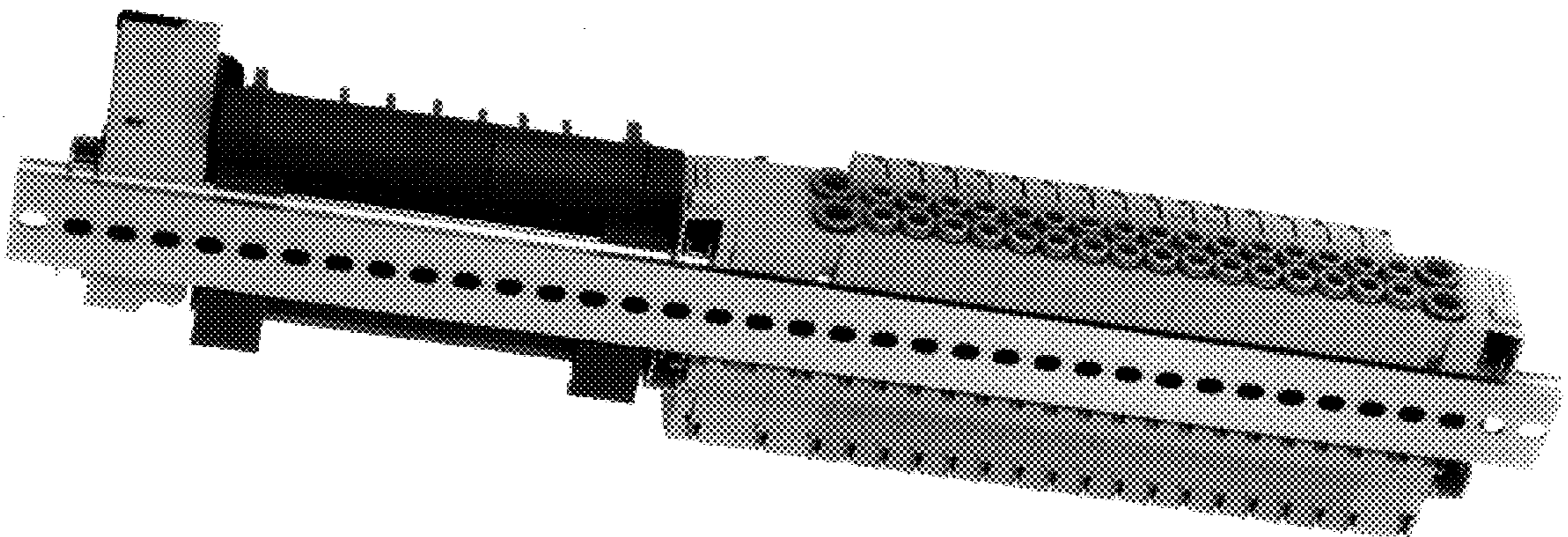


FIG. 10