



US00D442146S

(12) **United States Design Patent**
Greenberg et al.

(10) **Patent No.:** **US D442,146 S**

(45) **Date of Patent:** **** May 15, 2001**

(54) **MOLDED CASE CIRCUIT BREAKER**

(75) Inventors: **Randy Greenberg**, Granby; **Roger Castonguay**, Terryville; **Dave Christensen**, Harwinton; **Hassan Girish**, Plainville, all of CT (US); **Ranganna C. Dasari**, Plymouth, MI (US); **Dean A. Robarge**, Southington; **Dennis J. Doughty**, Plainville, both of CT (US); **Michael H. Thomas**, Amersfoort (NL)

(73) Assignee: **General Electric Company**, Schenectady, NY (US)

(**) Term: **14 Years**

(21) Appl. No.: **29/120,367**

(22) Filed: **Mar. 17, 2000**

(51) **LOC (7) Cl.** **13-03**

(52) **U.S. Cl.** **D13/160**

(58) **Field of Search** D13/160, 159;
200/237, 293, 297, 302.3, 330

(56) **References Cited**

U.S. PATENT DOCUMENTS

D. 325,727 * 4/1992 Murata et al. D13/160

D. 334,174 * 3/1993 Hosogai et al. D13/160
D. 359,948 * 7/1995 Merlin D13/160
D. 406,106 * 2/1999 Gonser D13/160
5,493,083 * 2/1996 Olivier 200/330 X

* cited by examiner

Primary Examiner—Brian N. Vinson
(74) *Attorney, Agent, or Firm*—Cantor Colburn LLP; Carl B. Horton

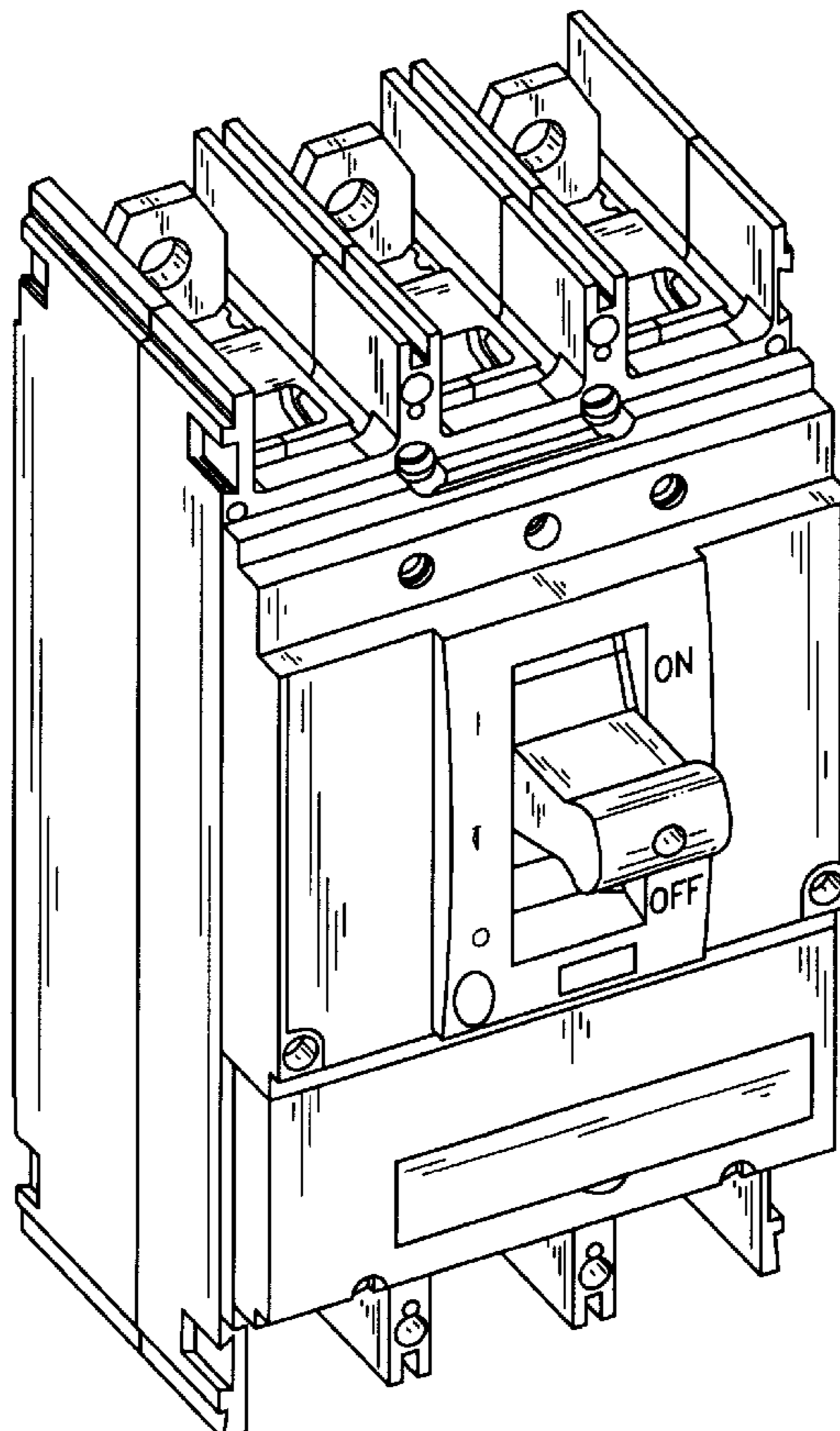
(57) **CLAIM**

The ornamental design for molded case circuit breaker, as shown and described.

DESCRIPTION

FIG. 1 is a top, front, and left side perspective view of a molded case circuit breaker showing our new design;
FIG. 2 is an enlarged right side elevational view thereof;
FIG. 3 is an enlarged front elevational view thereof; and,
FIG. 4 is an enlarged top plan view thereof.

1 Claim, 4 Drawing Sheets



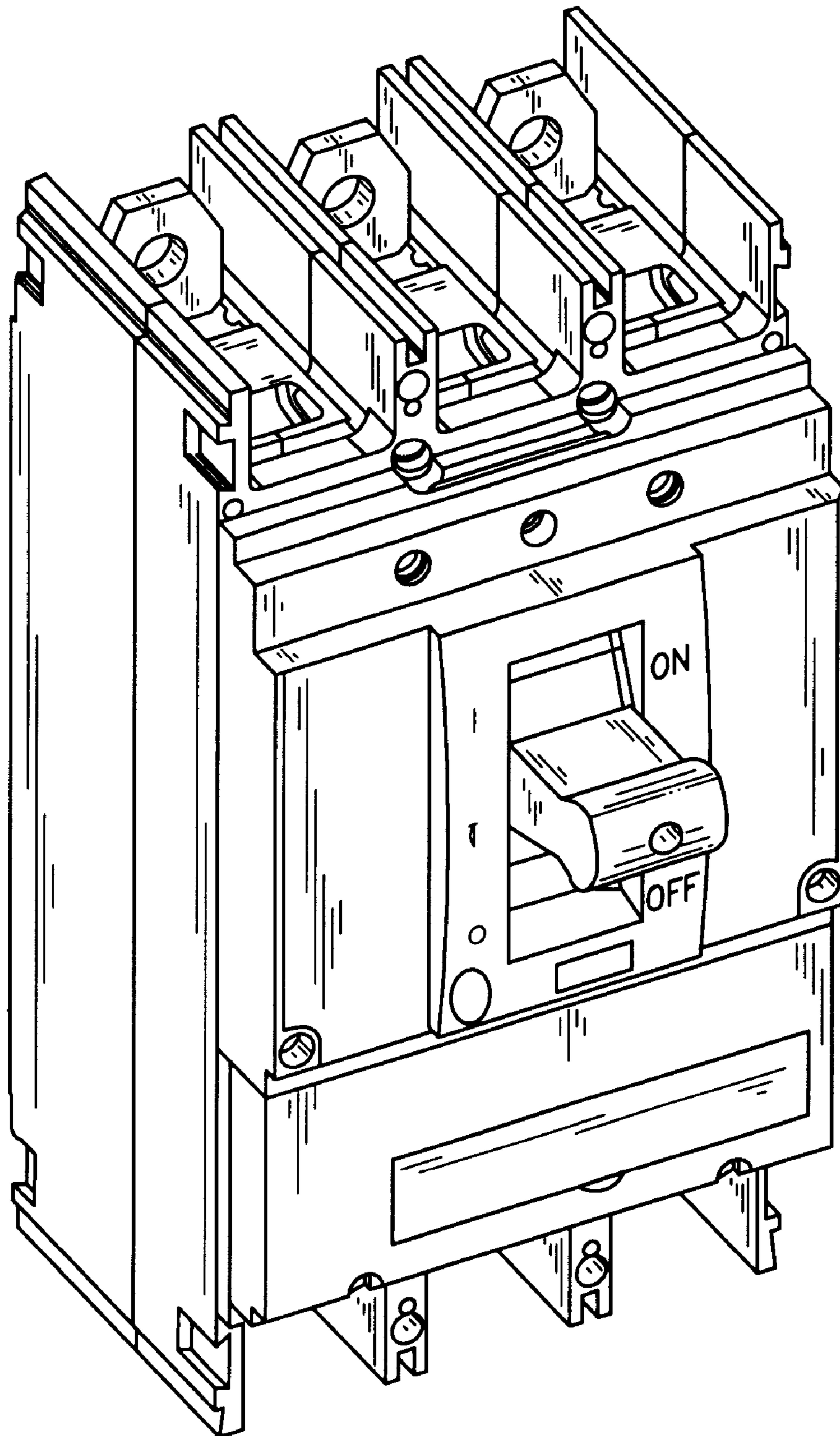


FIG. 1

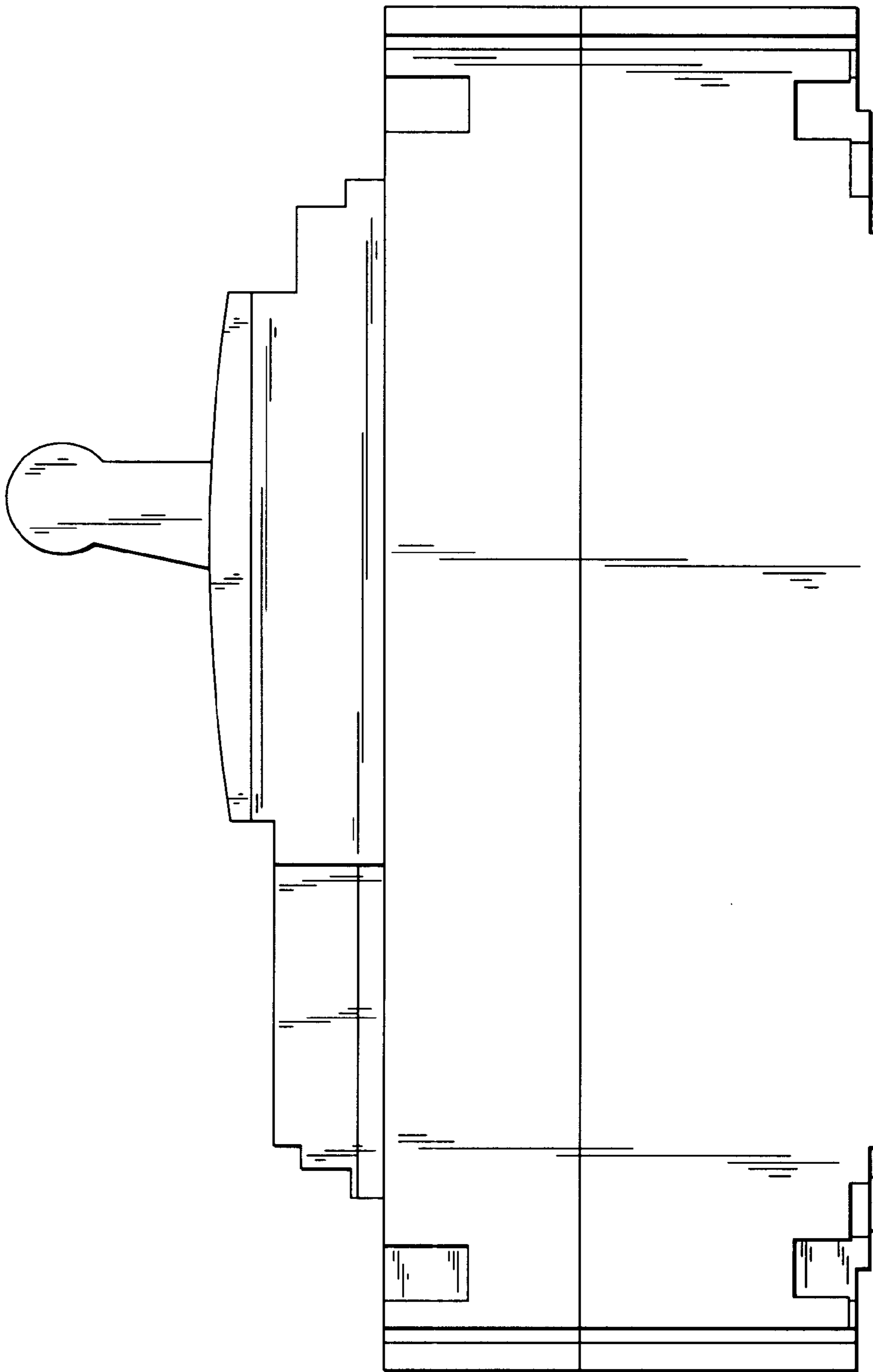


FIG. 2

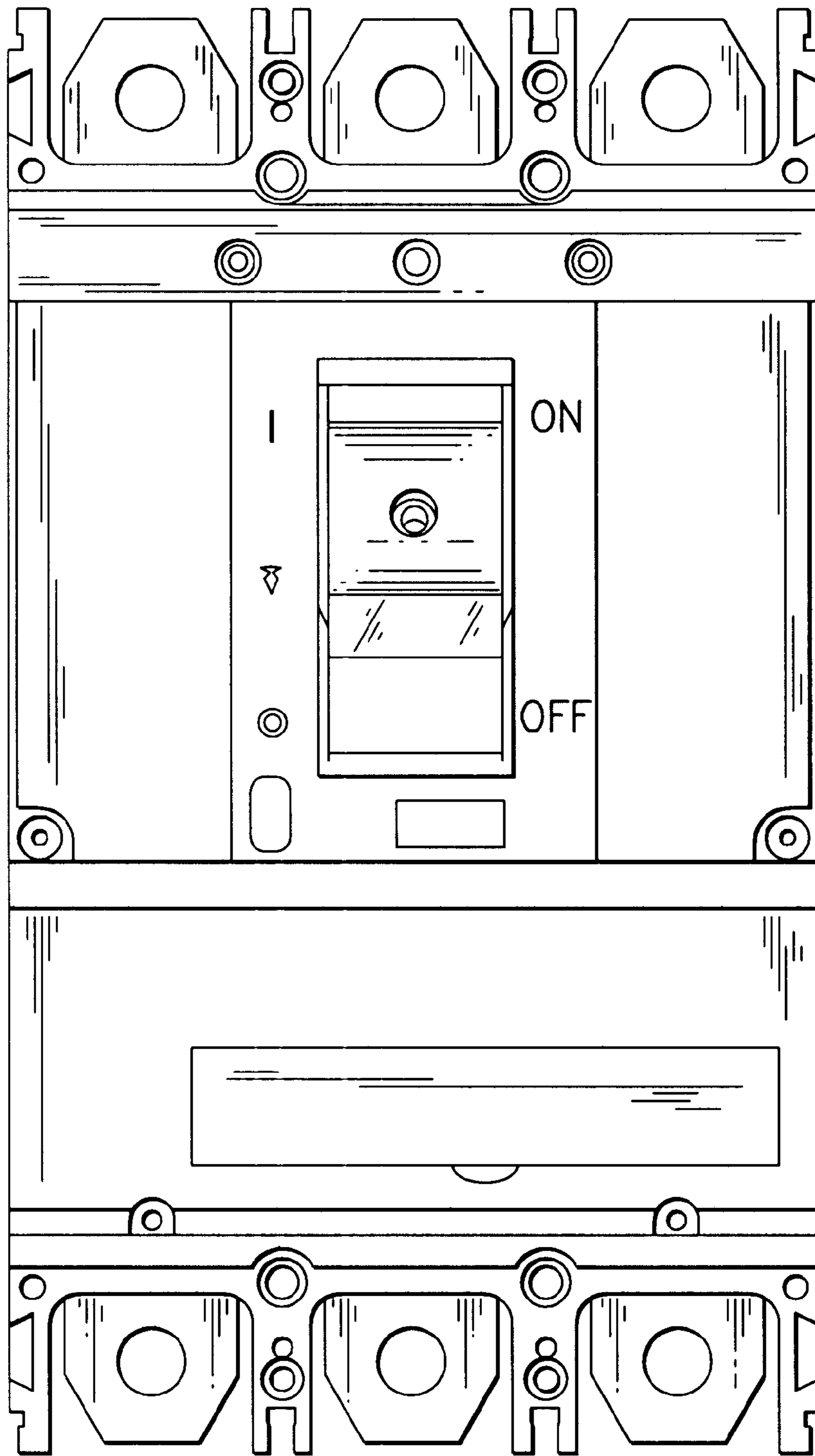


FIG. 3

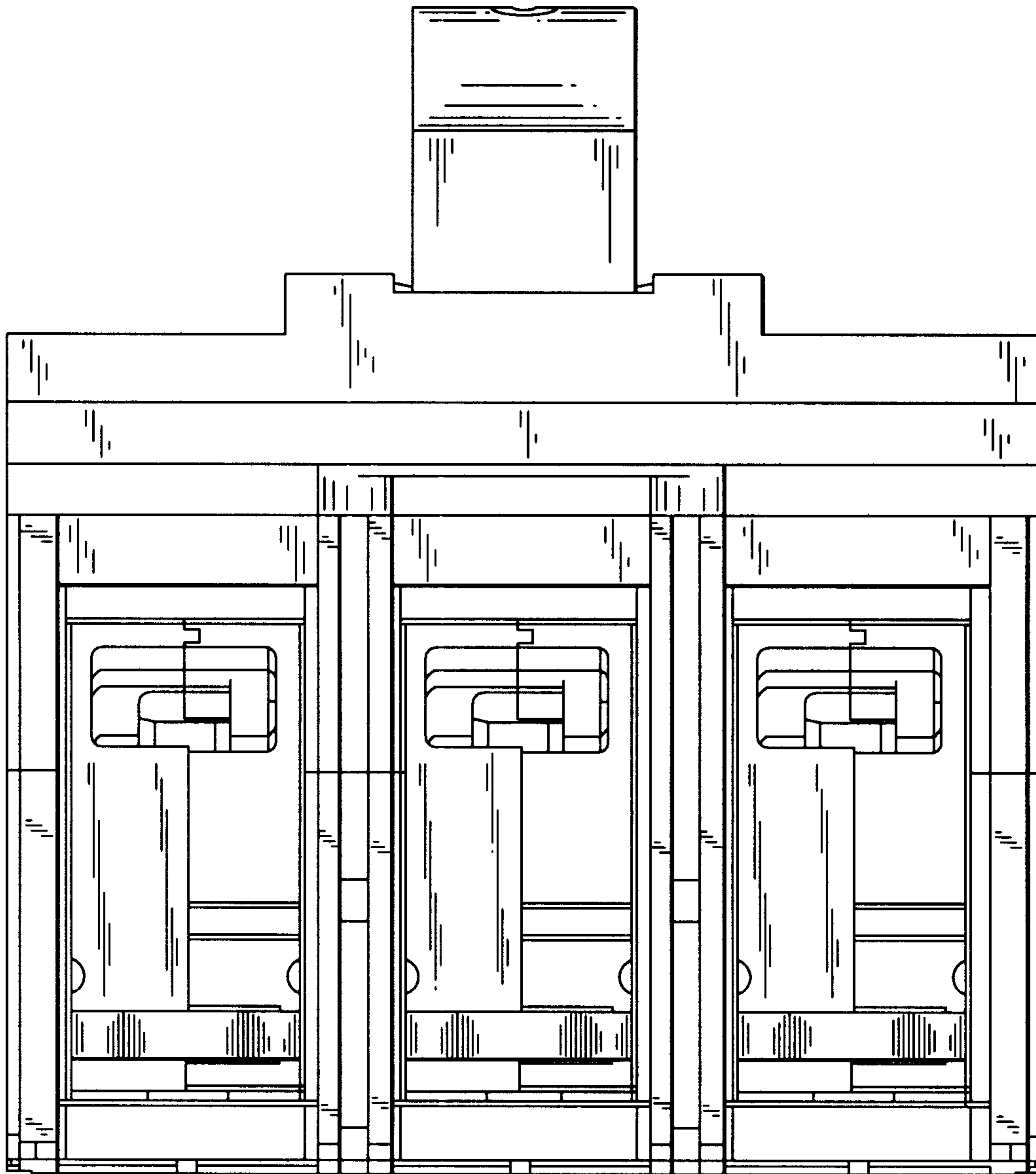


FIG. 4

UNITED STATES PATENT AND TRADEMARK OFFICE
CERTIFICATE OF CORRECTION

PATENT NO. : Des. 442,146 S
DATED : May 15, 2001
INVENTOR(S) : Greenberg et al.

Page 1 of 1


It is certified that error appears in the above-identified patent and that said Letters Patent is hereby corrected as shown below:

Title page,

Item [75], Inventors: delete "**Hassan Girish**" and insert therefor -- **Girish Hassan** --.

Signed and Sealed this

Eleventh Day of February, 2003

A handwritten signature in black ink, appearing to read "James E. Rogan", with a horizontal line drawn underneath it.

JAMES E. ROGAN
Director of the United States Patent and Trademark Office