



US00D442145S

(12) **United States Design Patent**  
**Zheng et al.**

(10) **Patent No.:** **US D442,145 S**

(45) **Date of Patent:** **\*\* May 15, 2001**

(54) **STACKED CONNECTOR**

(75) Inventors: **Qi Sheng Zheng; Hong-Bin Zhou,**  
both of KunSan (CN)

(73) Assignee: **Hon Hai Precision Ind. Co., Ltd.,**  
Taipei Hsien (TW)

(\*\*) Term: **14 Years**

(21) Appl. No.: **29/127,001**

(22) Filed: **Jul. 28, 2000**

(30) **Foreign Application Priority Data**

Jul. 1, 2000 (TW) ..... 89304457

(51) **LOC (7) Cl.** ..... **13-03**

(52) **U.S. Cl.** ..... **D13/147**

(58) **Field of Search** ..... D13/146, 147;  
439/607-610, 541.5, 676

(56) **References Cited**

**U.S. PATENT DOCUMENTS**

D. 378,510 \* 3/1997 Tan et al. .... D13/147

D. 407,070 \* 3/1999 Chang ..... D13/147

D. 409,983 \* 5/1999 Wu ..... D13/147

D. 419,134 \* 1/2000 Chen ..... D13/146

6,109,968 \* 8/2000 Wang ..... 439/607

\* cited by examiner

*Primary Examiner*—Joel Sincavage

(74) *Attorney, Agent, or Firm*—Wei Te Chung

(57) **CLAIM**

The ornamental design for a stacked connector, as shown.

**DESCRIPTION**

FIG. 1 is a front, top and right side perspective view of a stacked connector showing our new design;

FIG. 2 is a front elevational view thereof;

FIG. 3 is a rear elevational view thereof;

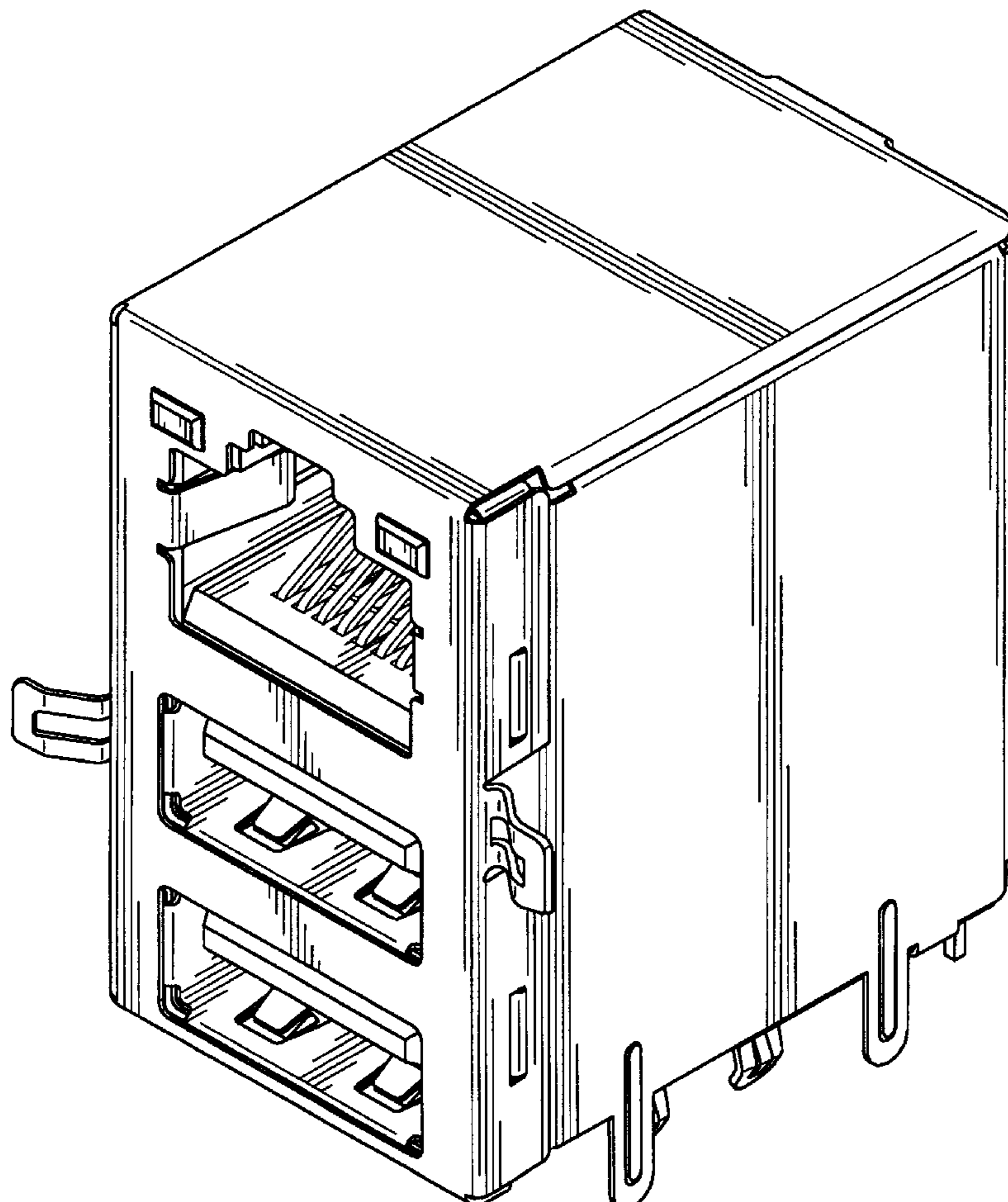
FIG. 4 is a left side elevational view thereof;

FIG. 5 is a right side elevational view thereof;

FIG. 6 is a top plan view thereof; and,

FIG. 7 is a bottom plan view thereof.

**1 Claim, 7 Drawing Sheets**



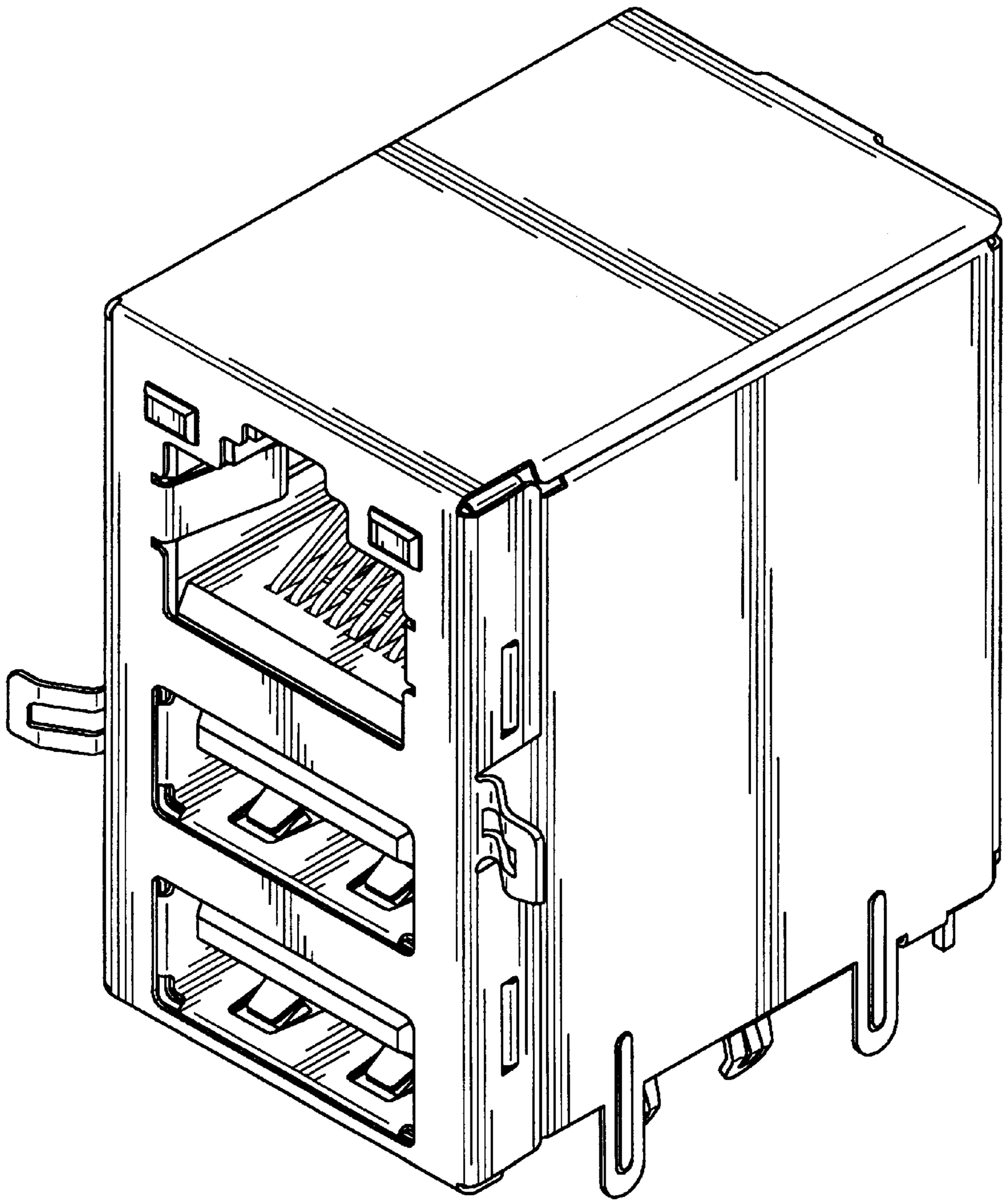


FIG. 1

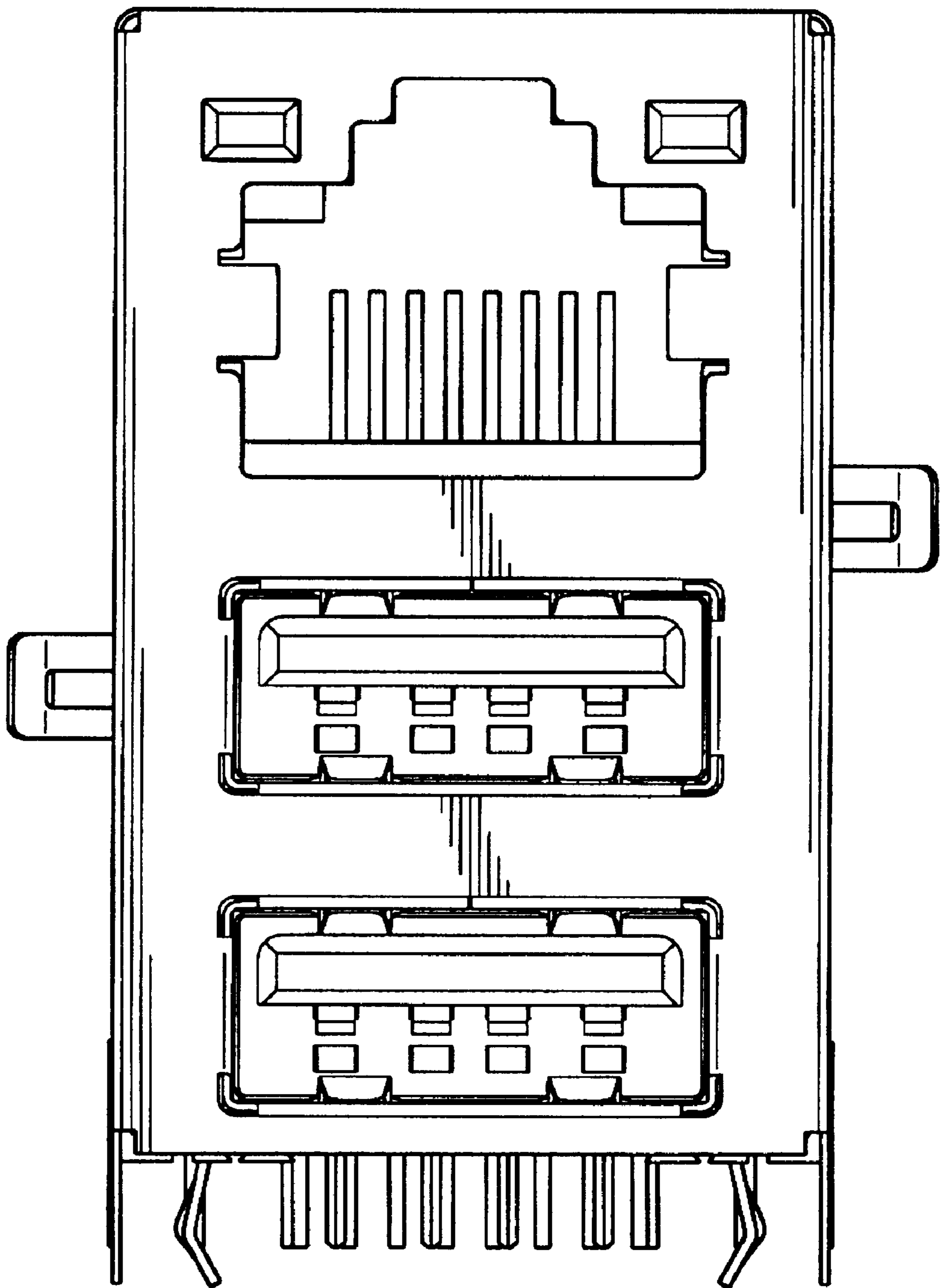


FIG. 2

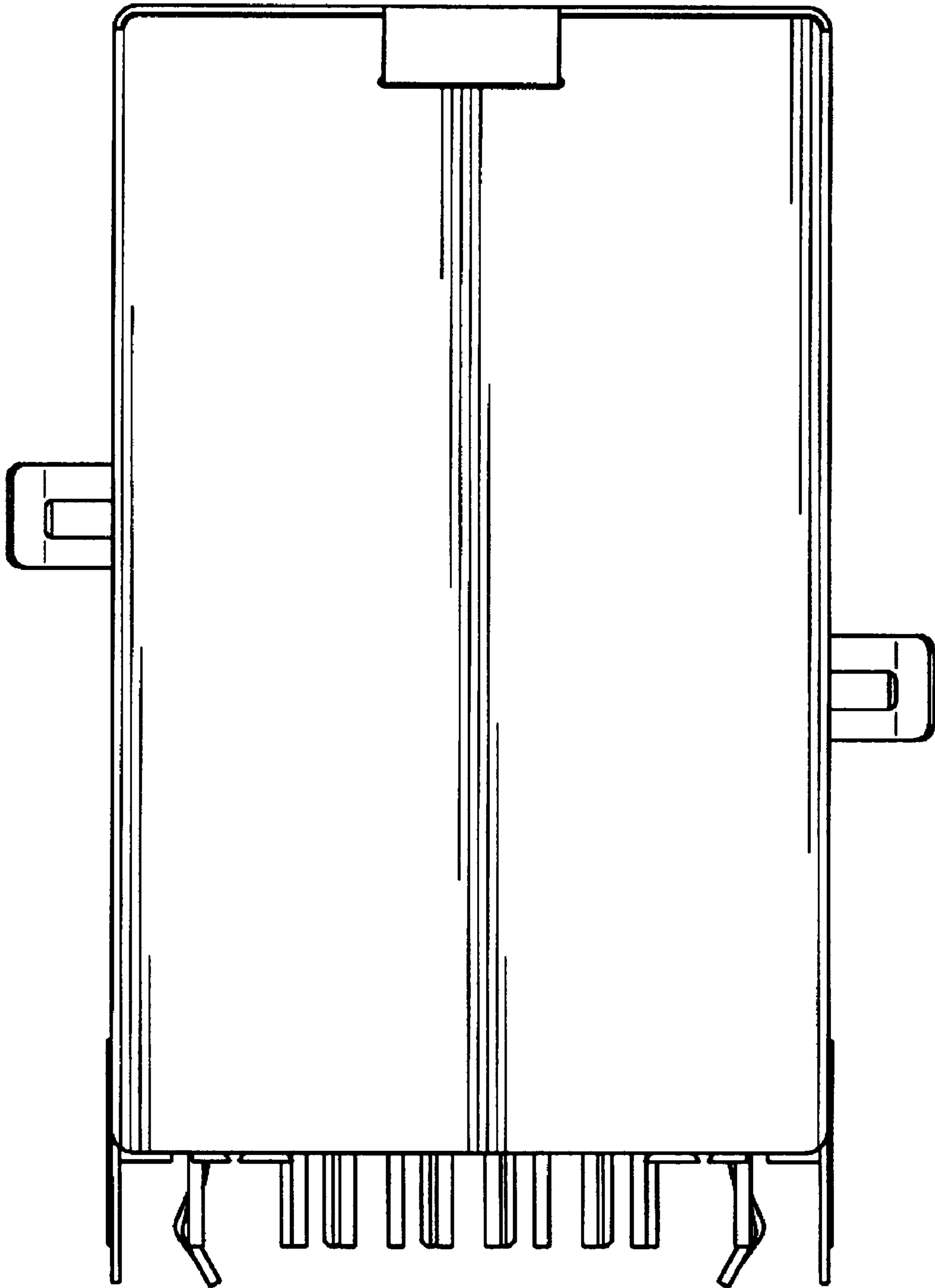


FIG. 3

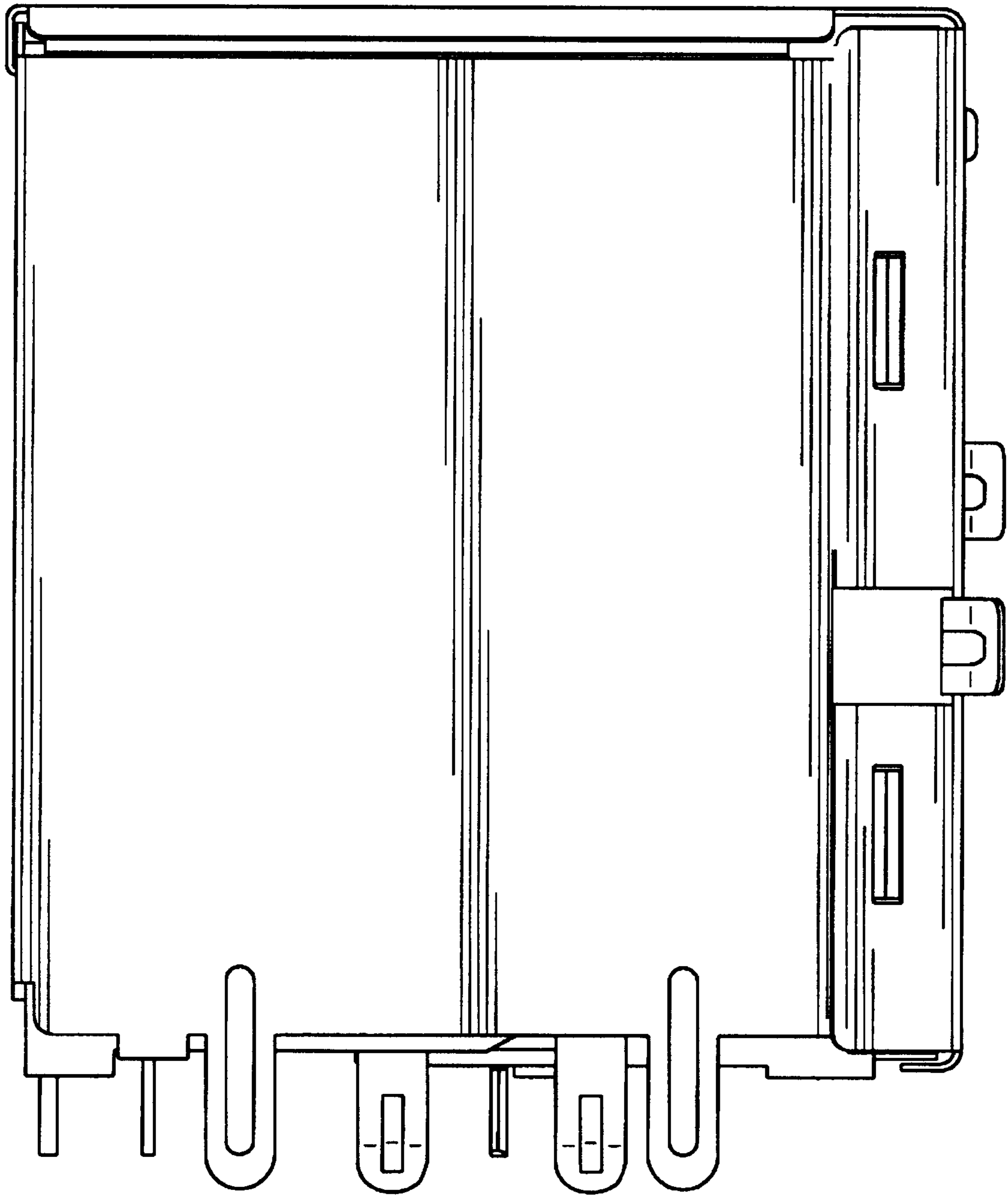


FIG. 4

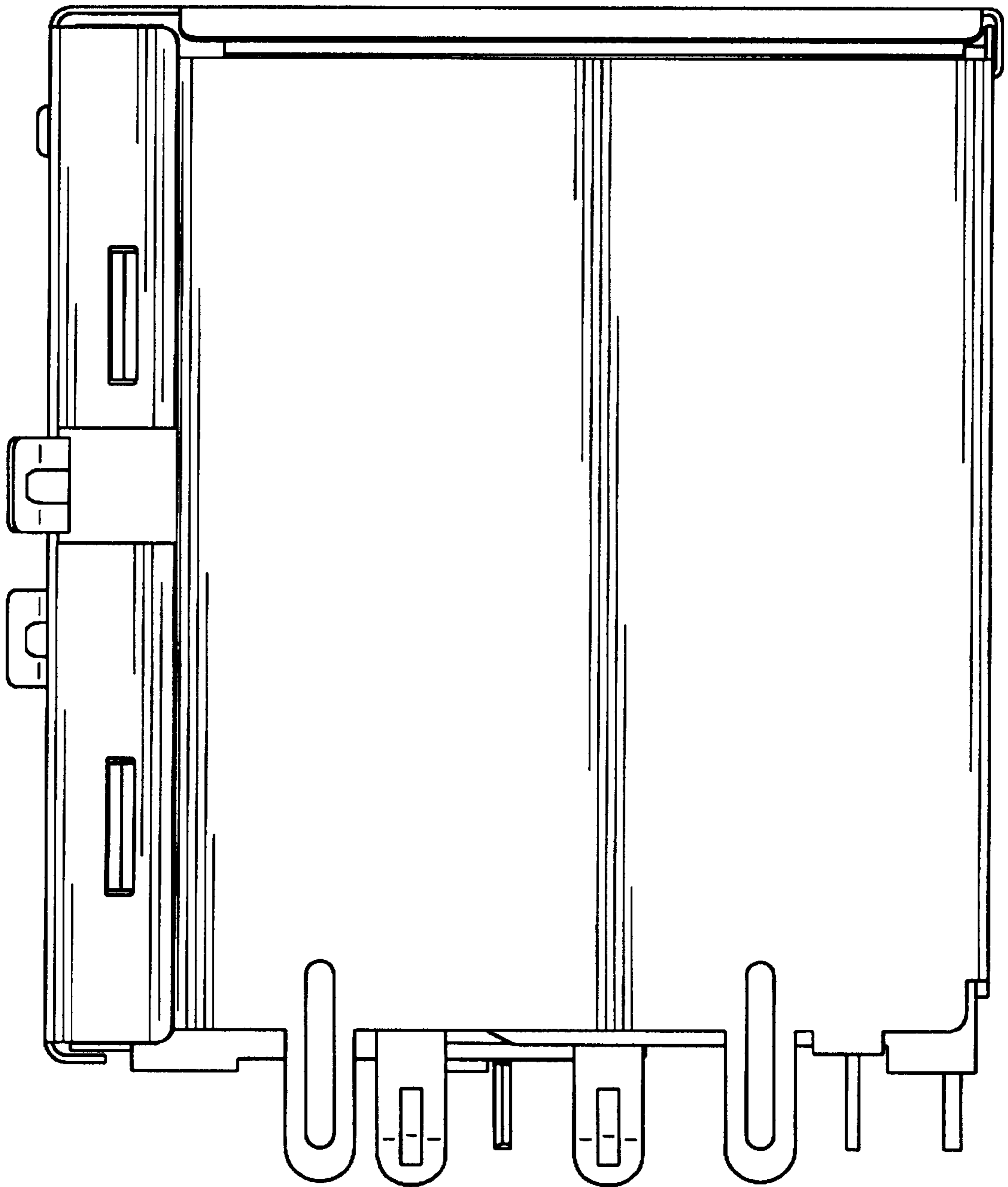


FIG. 5

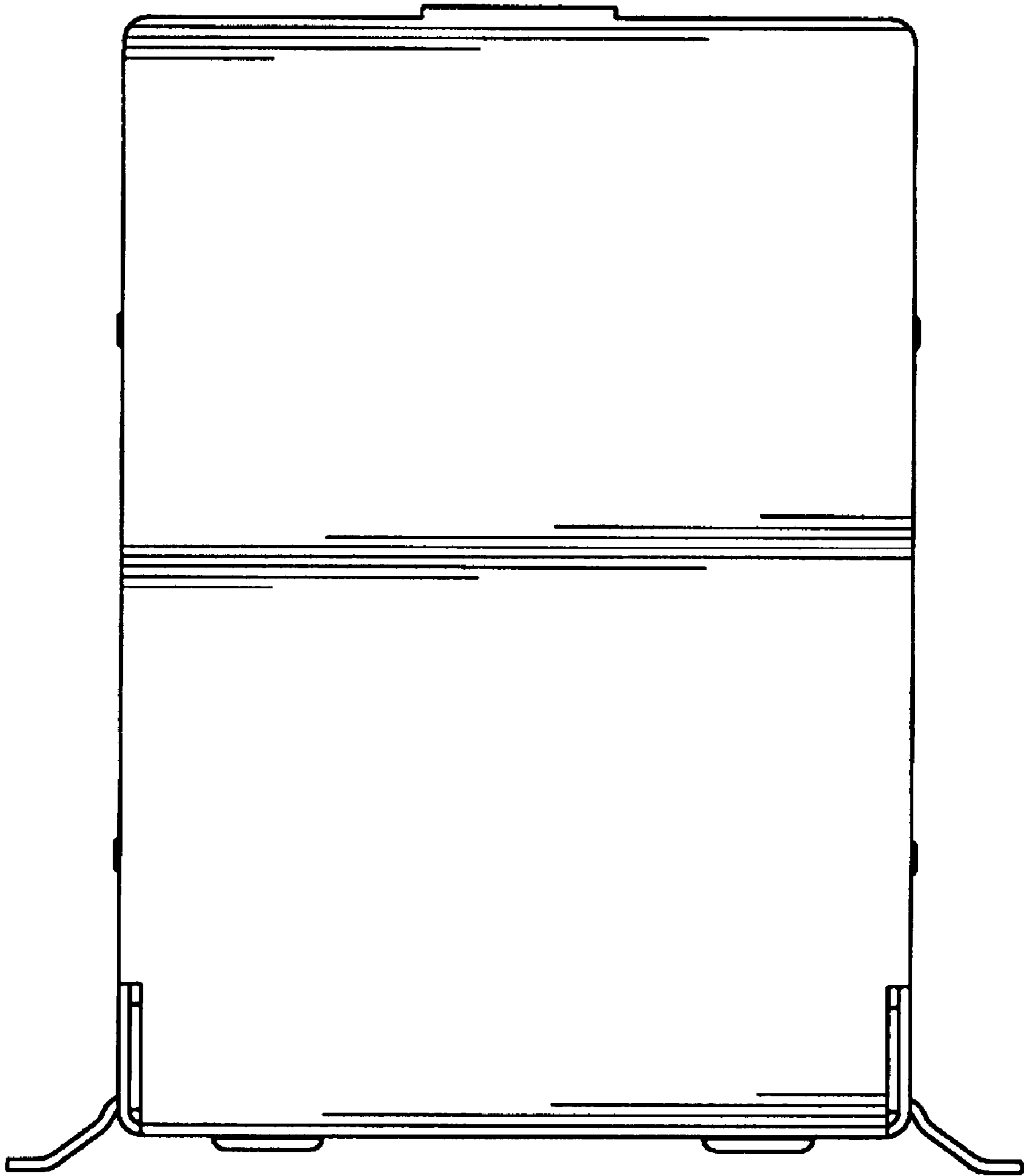


FIG. 6



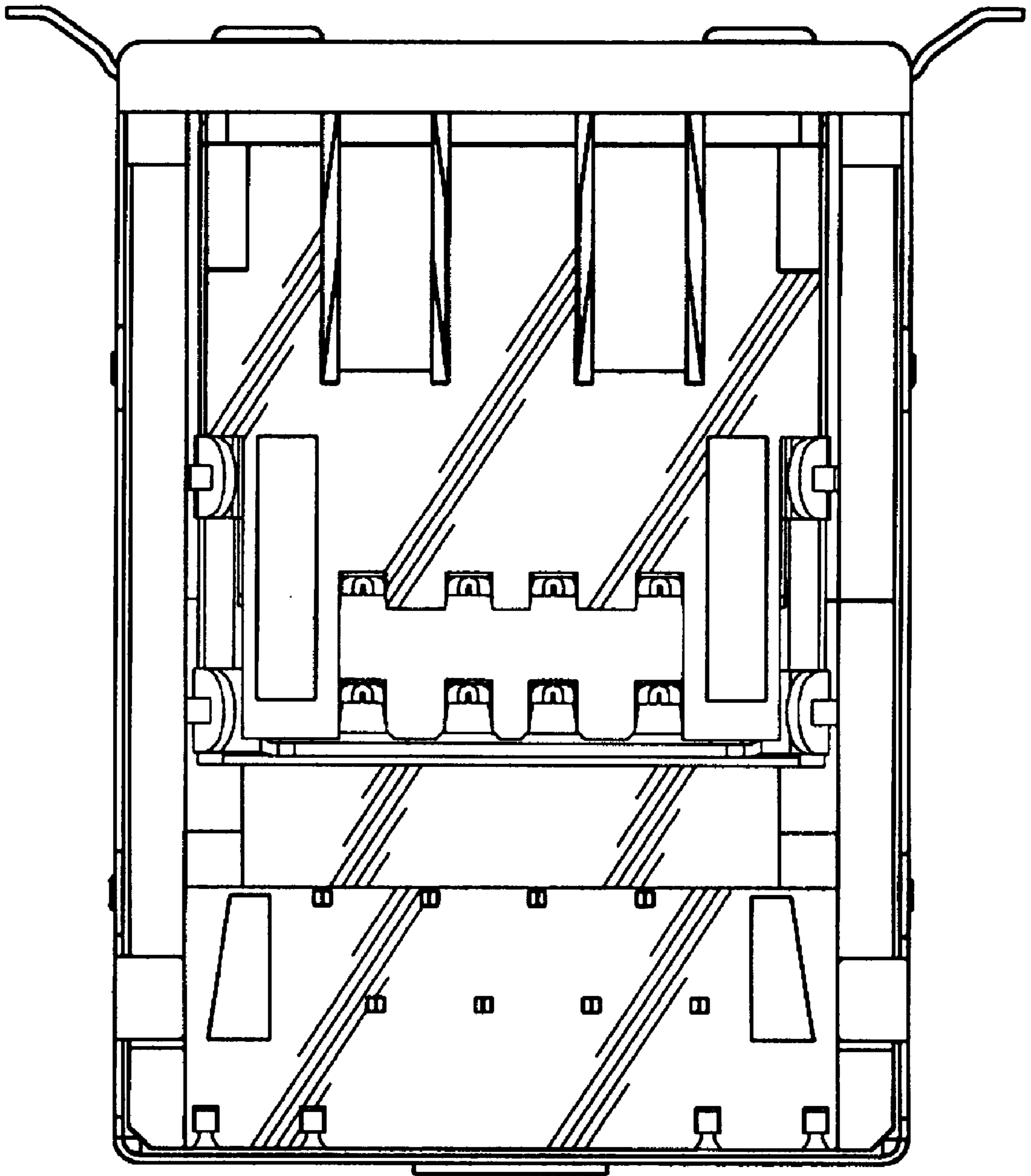


FIG. 7