



US00D442144S

(12) **United States Design Patent**
Goto

(10) **Patent No.:** **US D442,144 S**

(45) **Date of Patent:** **** May 15, 2001**

(54) **CONNECTOR**

(75) Inventor: **Teiyu Goto**, Tokyo (JP)

(73) Assignee: **Sony Computer Entertainment Inc.**,
Tokyo (JP)

(**) Term: **14 Years**

(21) Appl. No.: **29/123,700**

(22) Filed: **May 24, 2000**

(30) **Foreign Application Priority Data**

Jan. 2, 2000 (JP) 12-000640
Jan. 2, 2000 (JP) 12-000641

(51) **LOC (7) Cl.** **13-03**

(52) **U.S. Cl.** **D13/147**

(58) **Field of Search** D13/146, 147;
439/541.5, 540.1, 355, 352

(56) **References Cited**

U.S. PATENT DOCUMENTS

D. 366,242 * 1/1996 Goto D13/147
D. 368,082 * 3/1996 Goto D14/114
D. 384,330 * 9/1997 Ichikawa D13/146
D. 395,036 * 6/1998 Goto D13/147
D. 429,691 * 8/2000 Nishio et al. D13/147
5,435,744 * 7/1995 Derstine et al. 439/352

* cited by examiner

Primary Examiner—Joel Sincavage

(74) *Attorney, Agent, or Firm*—Rader, Fishman & Grauer

(57) **CLAIM**

The ornamental design for a connector, as shown and described.

DESCRIPTION

FIG. 1 is a perspective view of a connector showing my design;

FIG. 2 is a front elevational view thereof;

FIG. 3 is a rear elevational view thereof;

FIG. 4 is a top plan view thereof;

FIG. 5 is a bottom plan view thereof; and

FIG. 6 is a right side elevational view thereof, a left side elevational view thereof being a mirror image.

FIG. 7 is a reference top plan view thereof in the using condition. Cord portion in broken lines is for illustrative purpose only and forms no part of claimed design.

FIG. 8 is a perspective view of another embodiment of a connector showing my design;

FIG. 9 is a top plan view thereof; and

FIG. 10 is a bottom plan view thereof. The rest of views of the embodiment of FIG. 8 are the same as FIGS. 2, 3 and 6 of the embodiment of FIG. 1.

FIG. 11 is a perspective view of a third embodiment of a connector showing my design;

FIG. 12 is a front elevational view thereof;

FIG. 13 is a rear elevational view thereof;

FIG. 14 is a top plan view thereof;

FIG. 15 is a bottom plan view thereof; and

FIG. 16 is a right side elevational view thereof, a left side elevational view thereof being a mirror image.

FIG. 17 is a reference top plan view thereof in the using condition. Cord portion in broken lines is for illustrative purposes only and forms no part of claimed design;

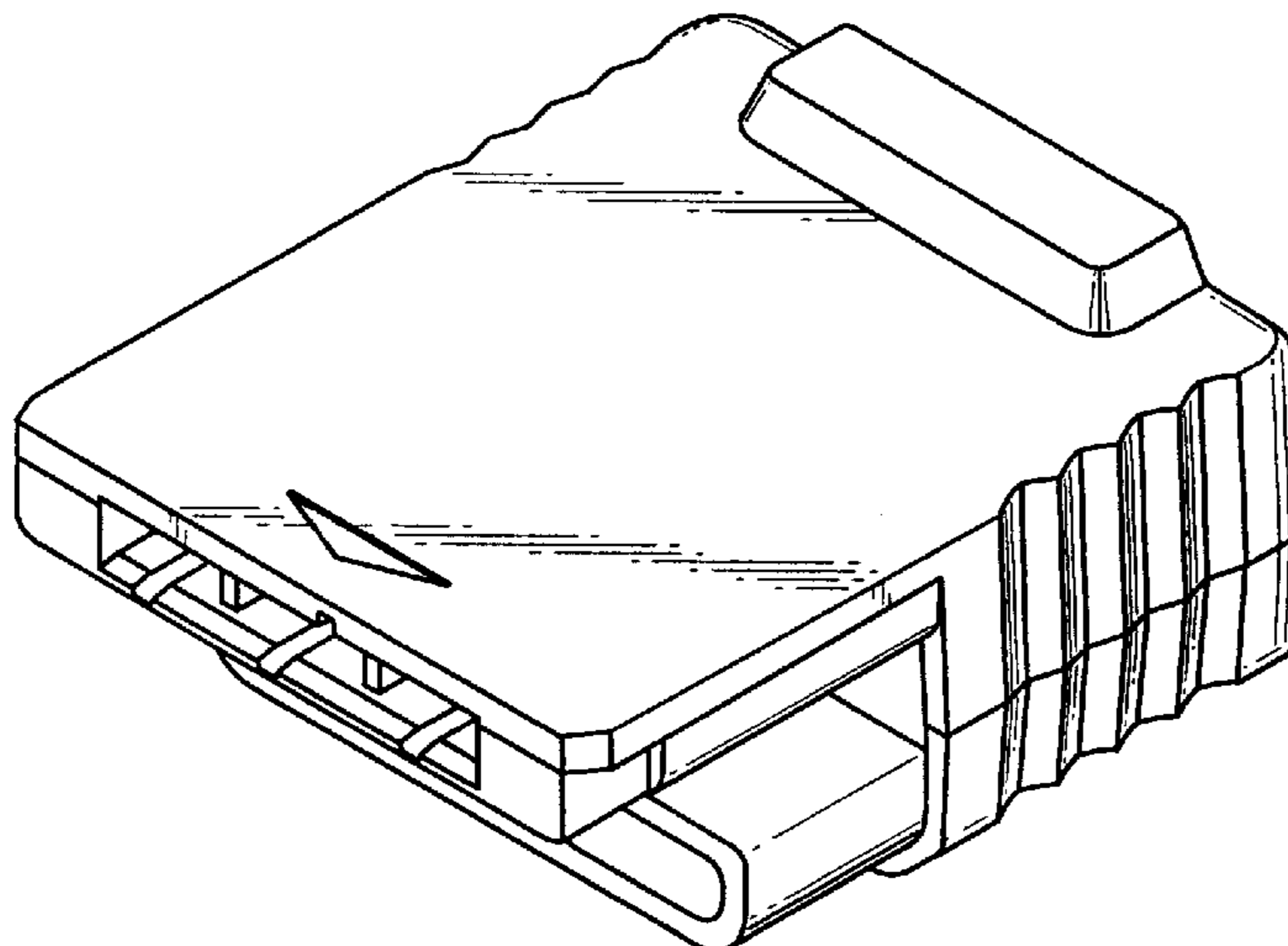
FIG. 18 is a perspective view of a fourth embodiment of a connector showing my design;

FIG. 19 is a top plan view thereof; and,

FIG. 20 is a bottom plan view thereof. The rest of views of the embodiment of FIG. 18 are the same as FIGS. 12, 13 and 16 of the embodiment of FIG. 11.

The broken lines in FIGS. 3 and 13 are included for the purpose of illustrating environmental structure only and forms no part of the claimed design.

1 Claim, 8 Drawing Sheets



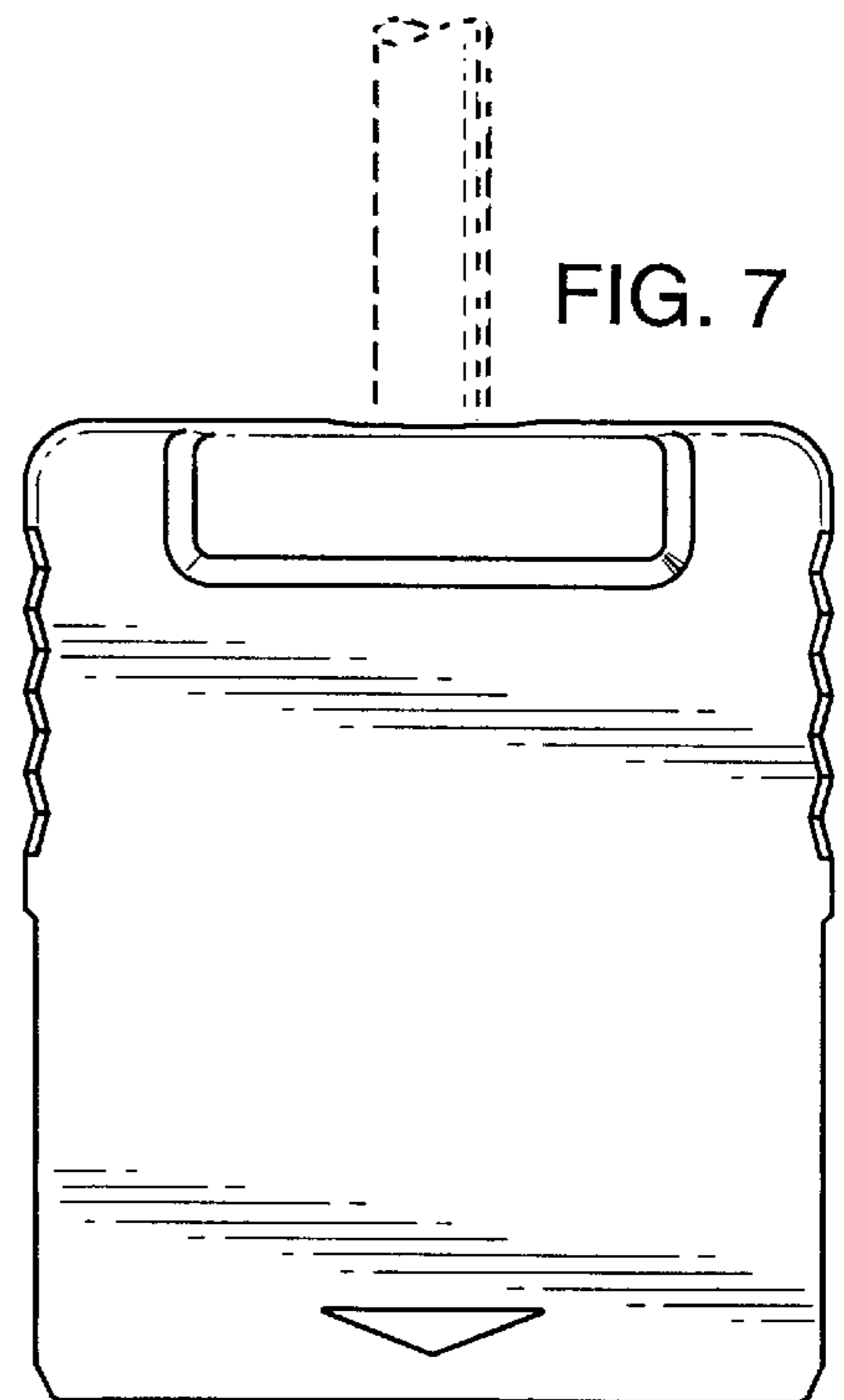
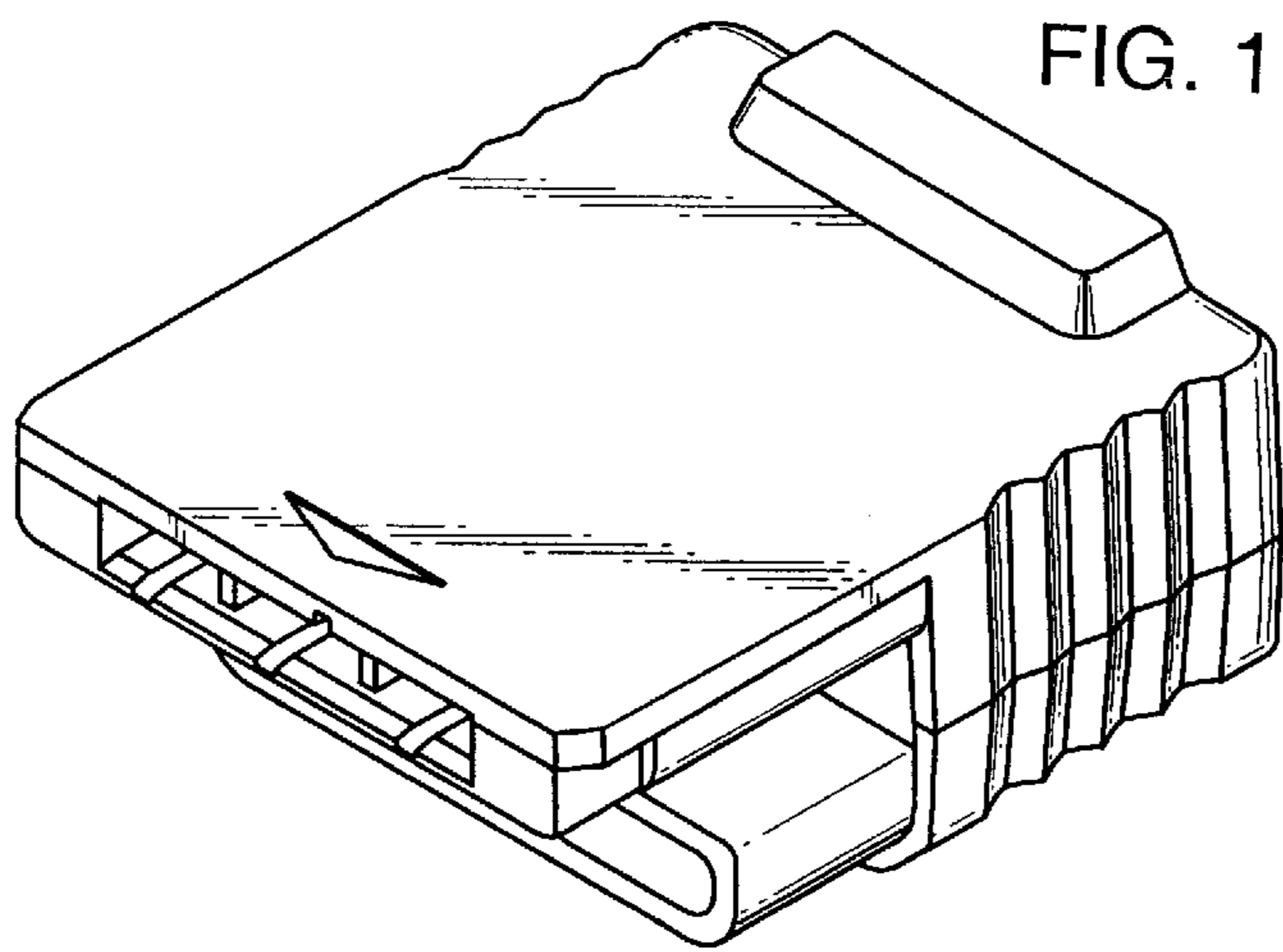


FIG. 2

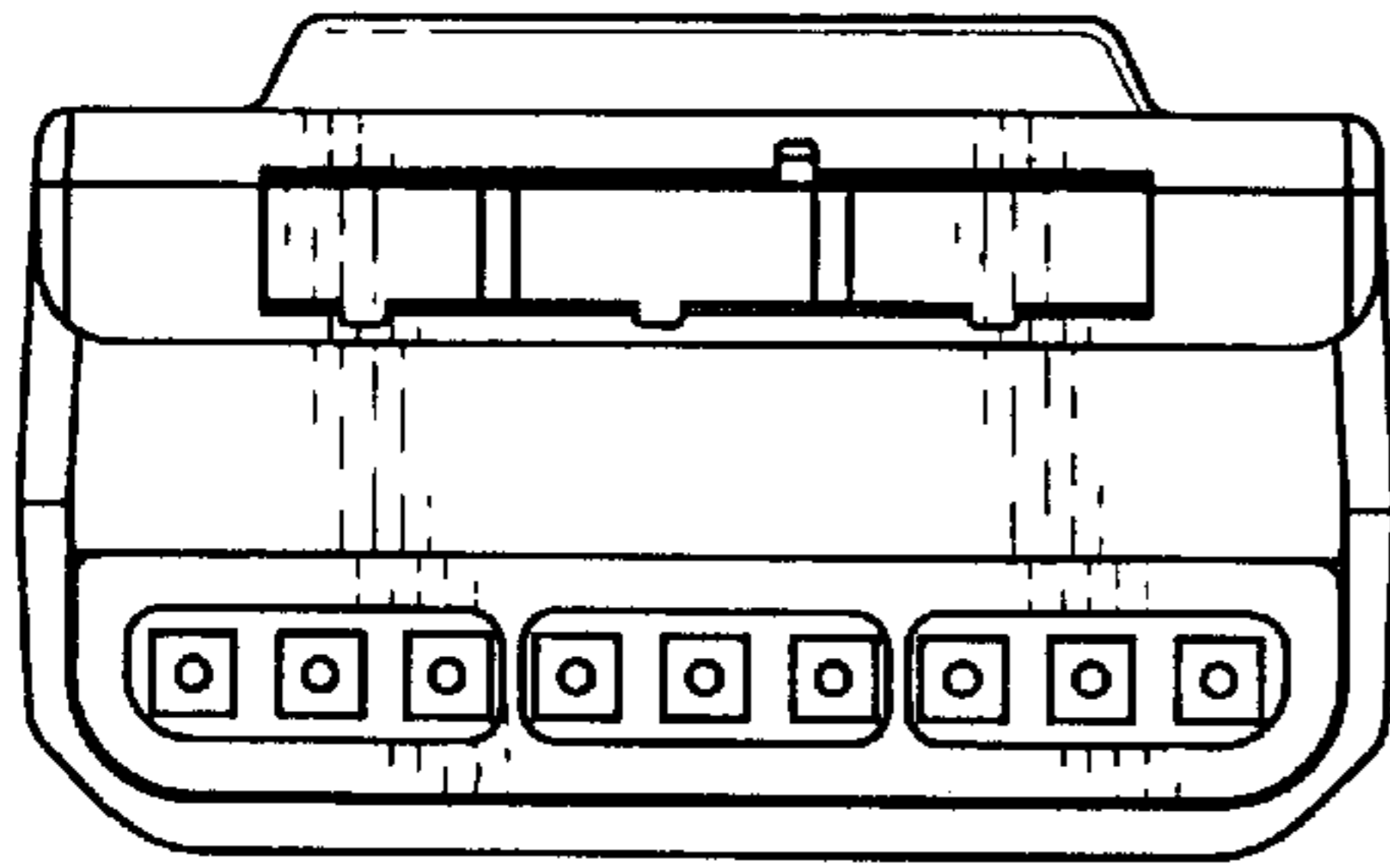


FIG. 3

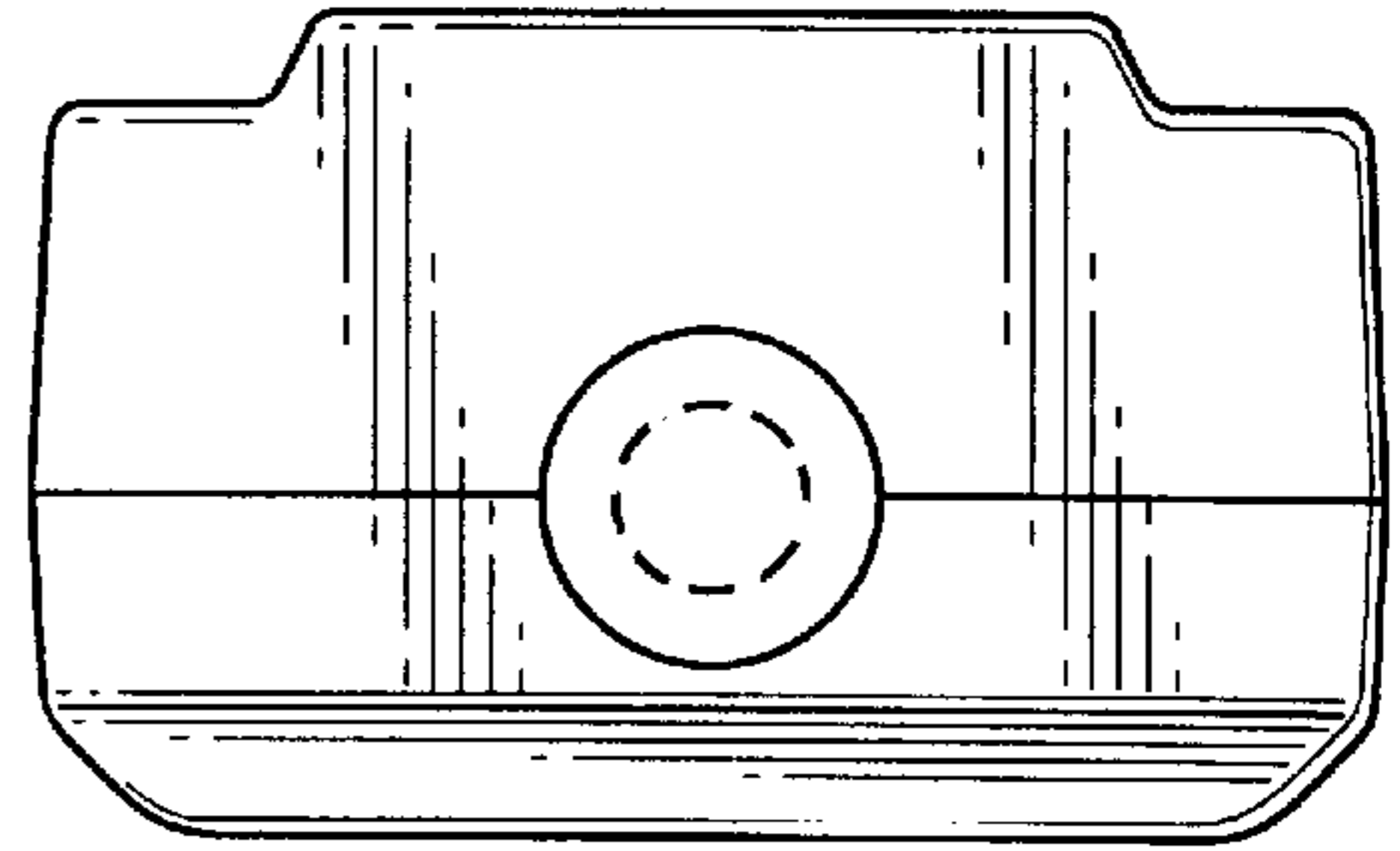


FIG. 4

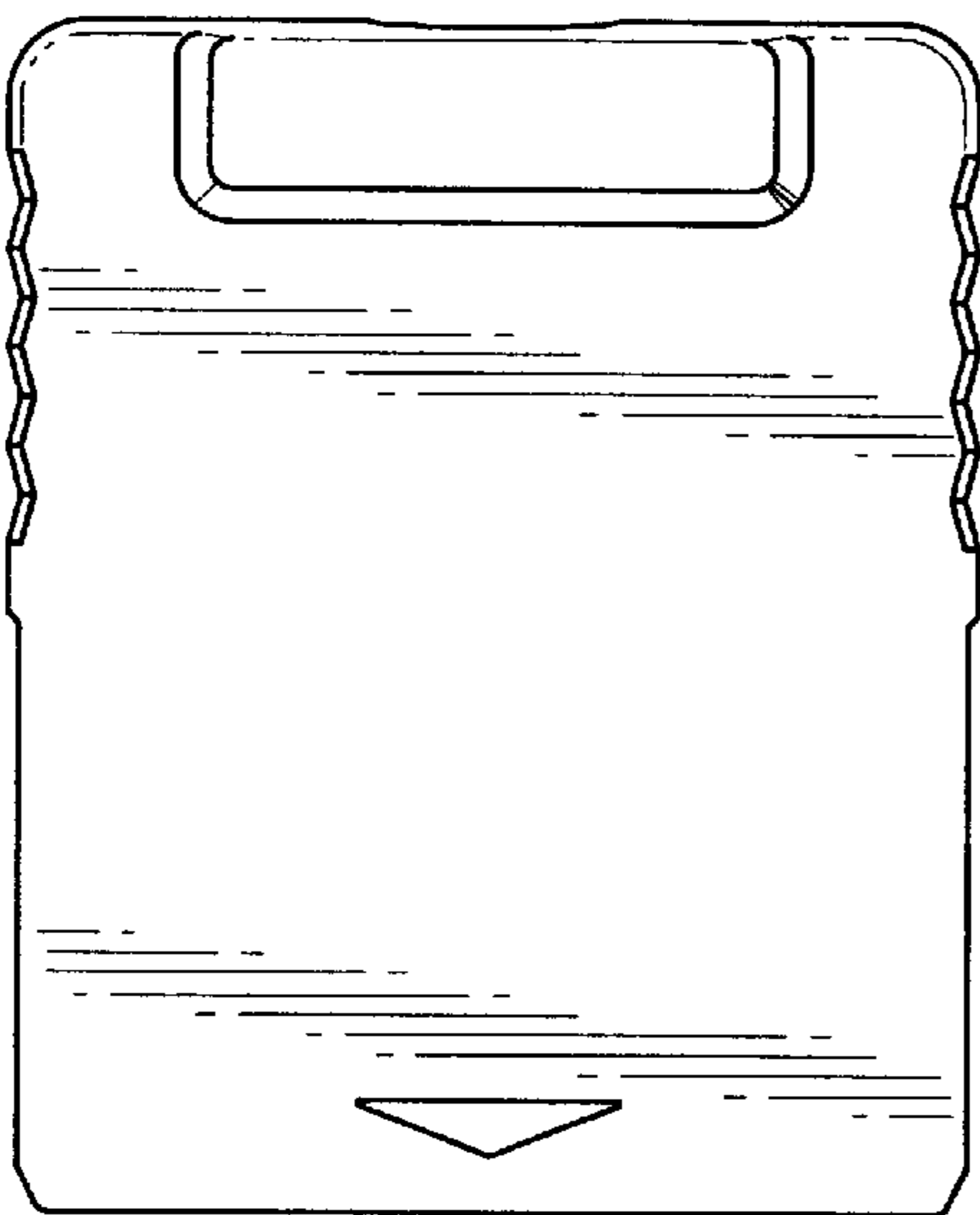


FIG. 5

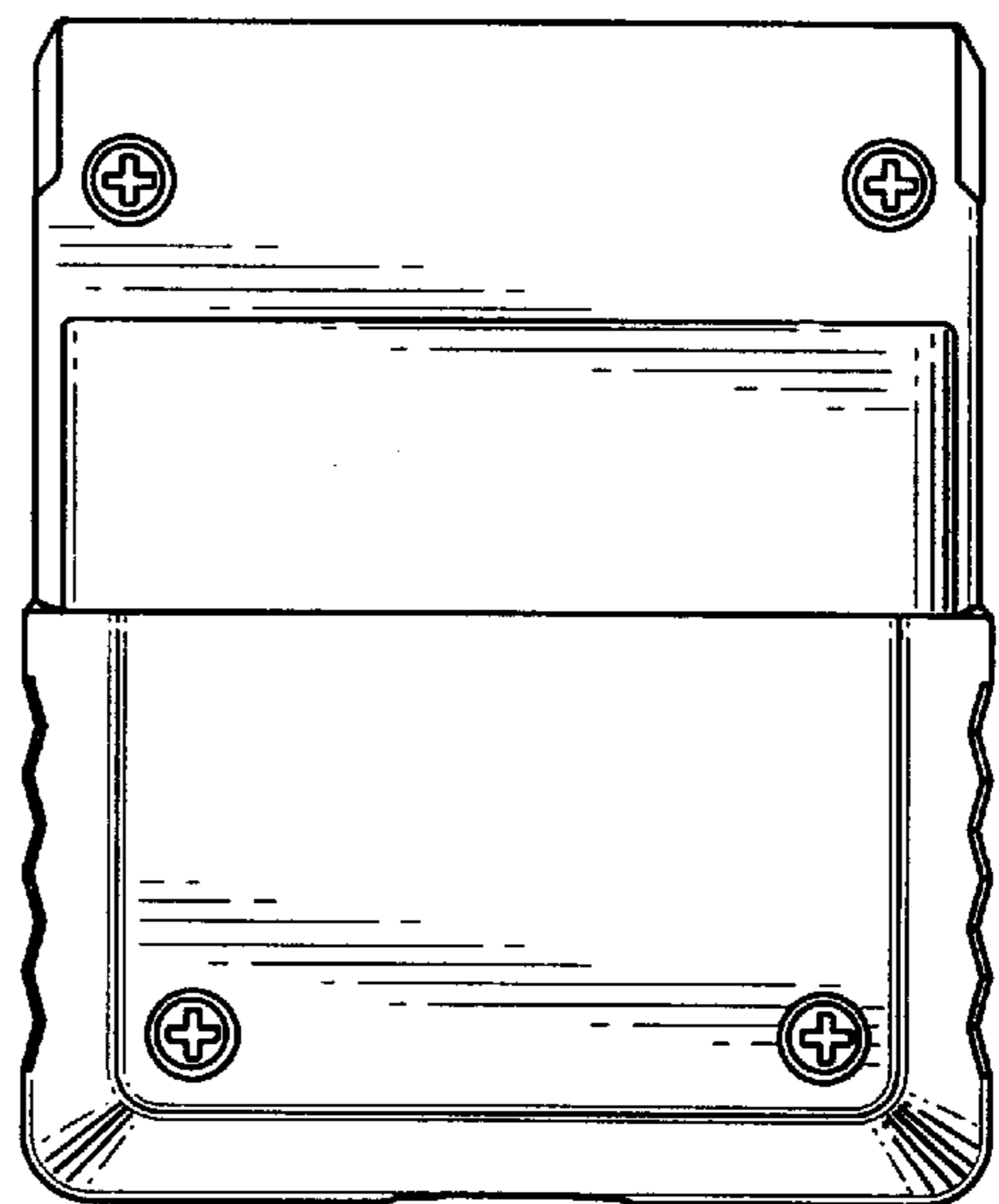
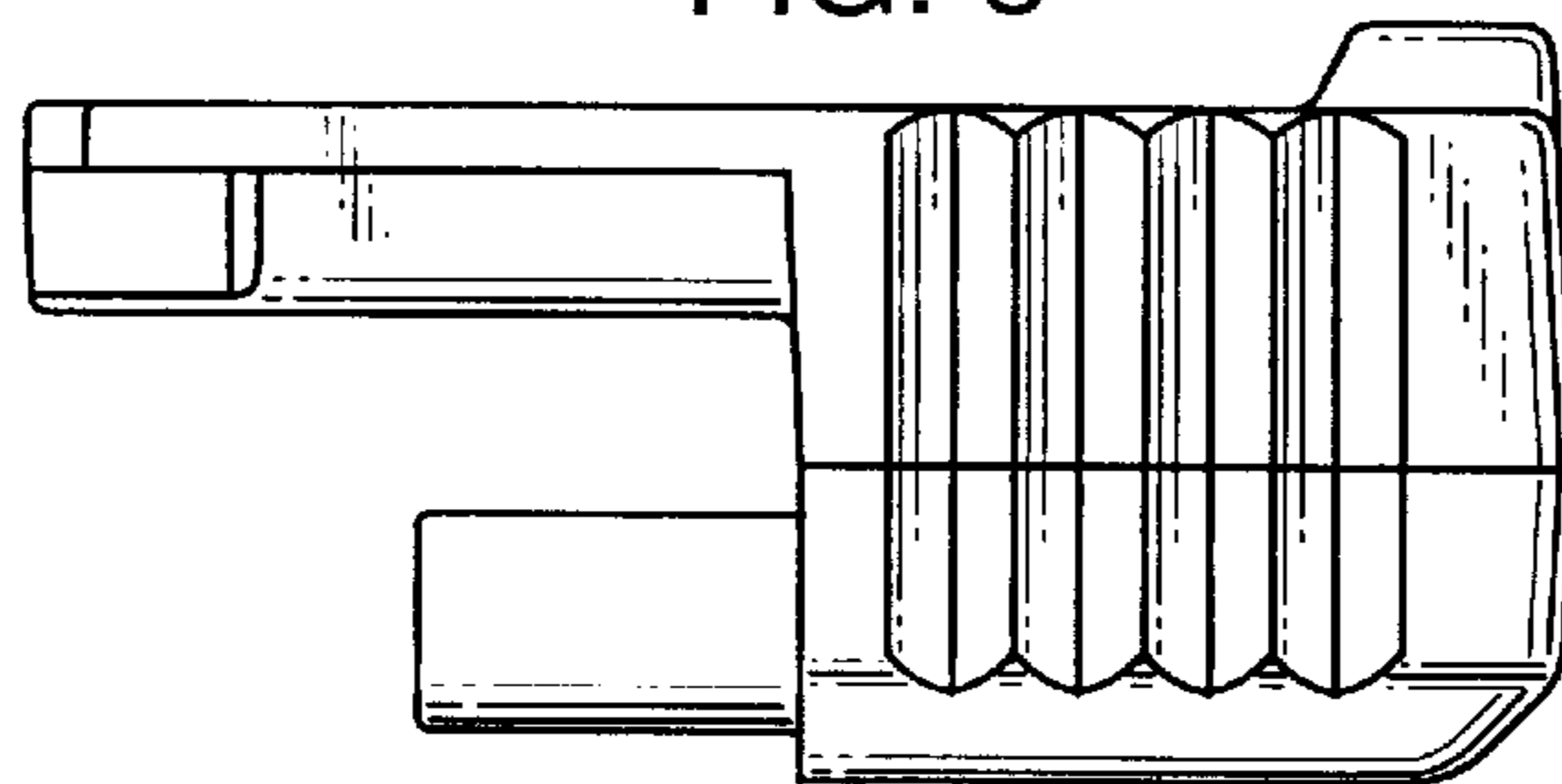


FIG. 6



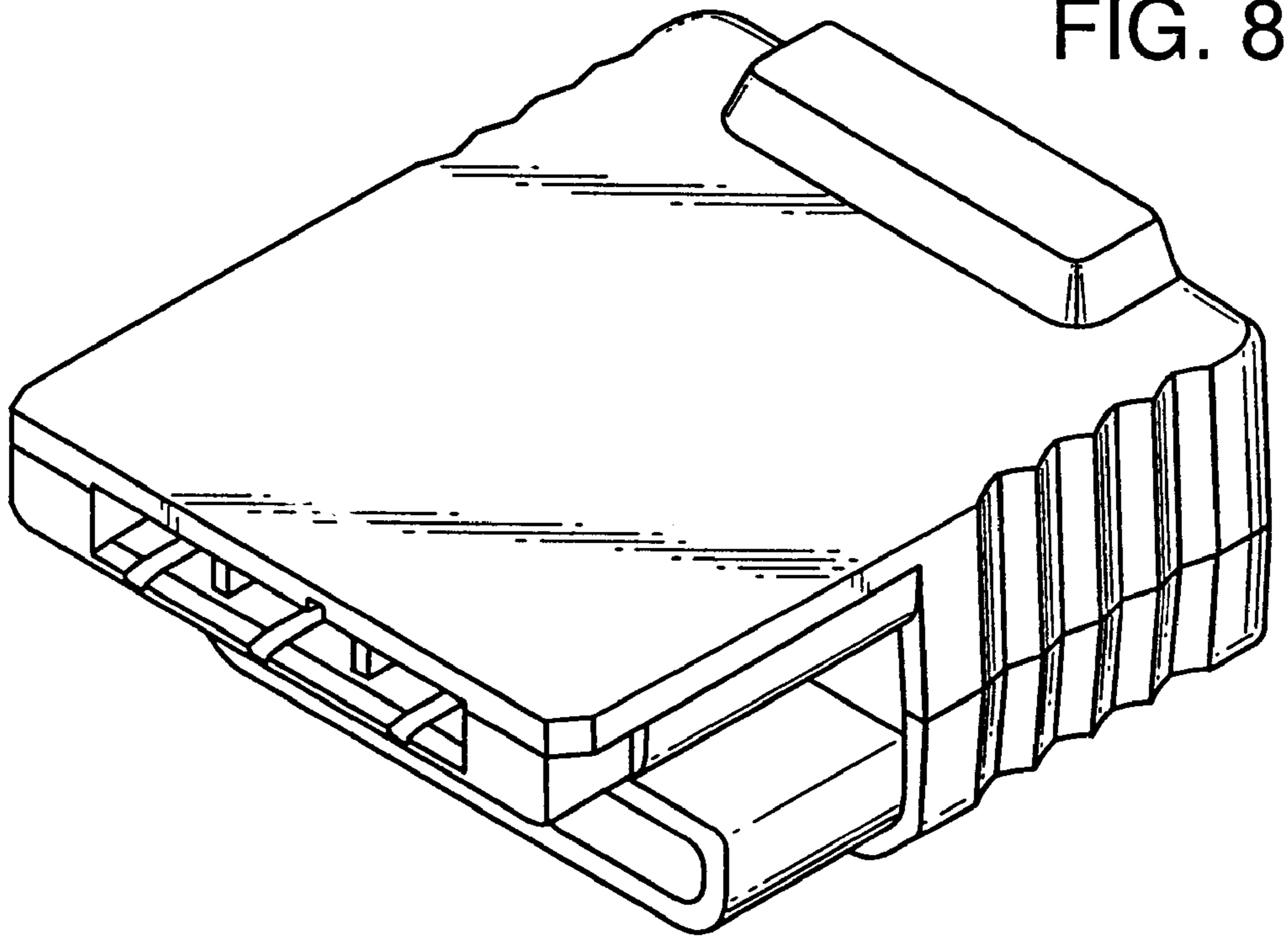


FIG. 8

FIG. 9

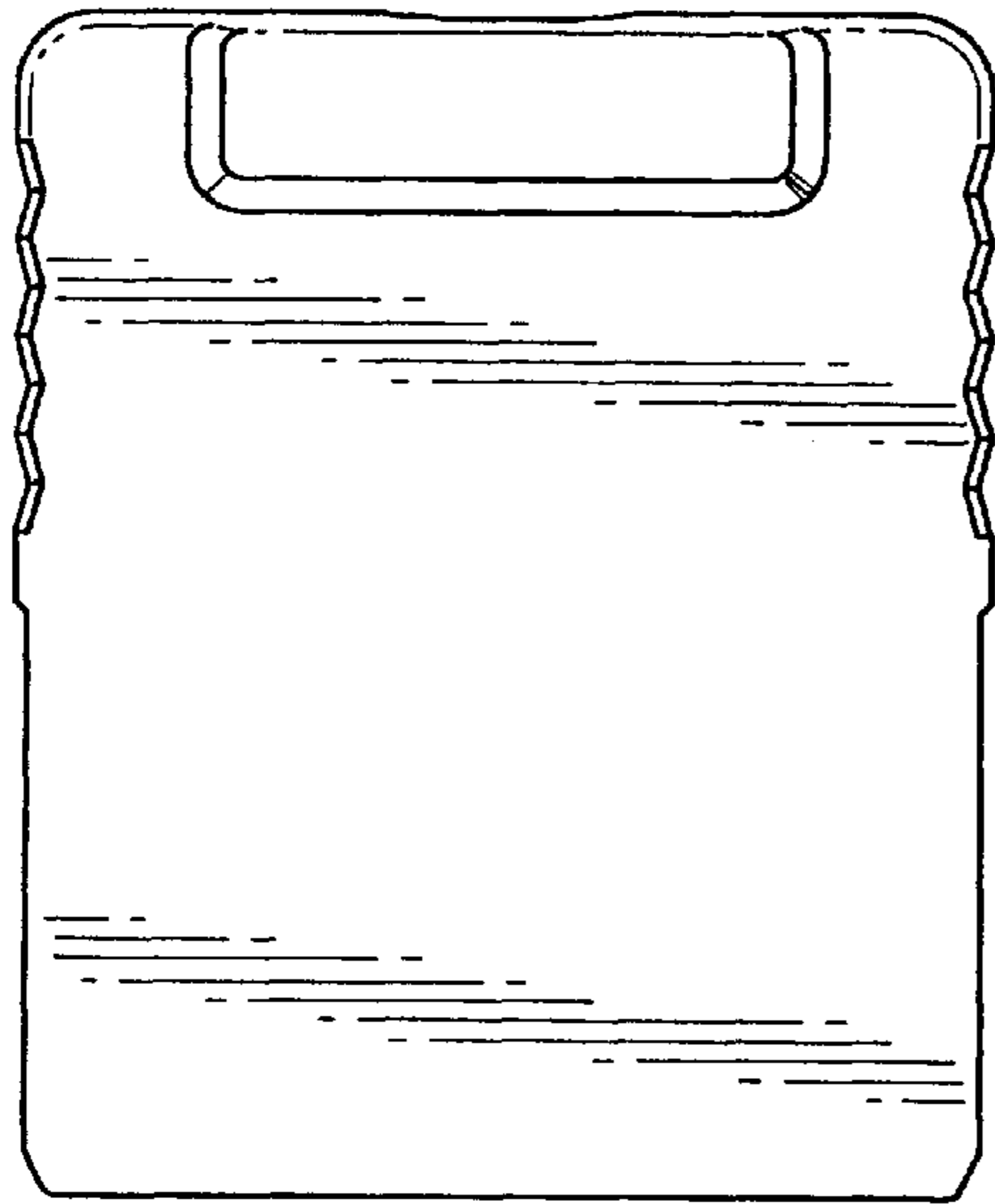


FIG. 10

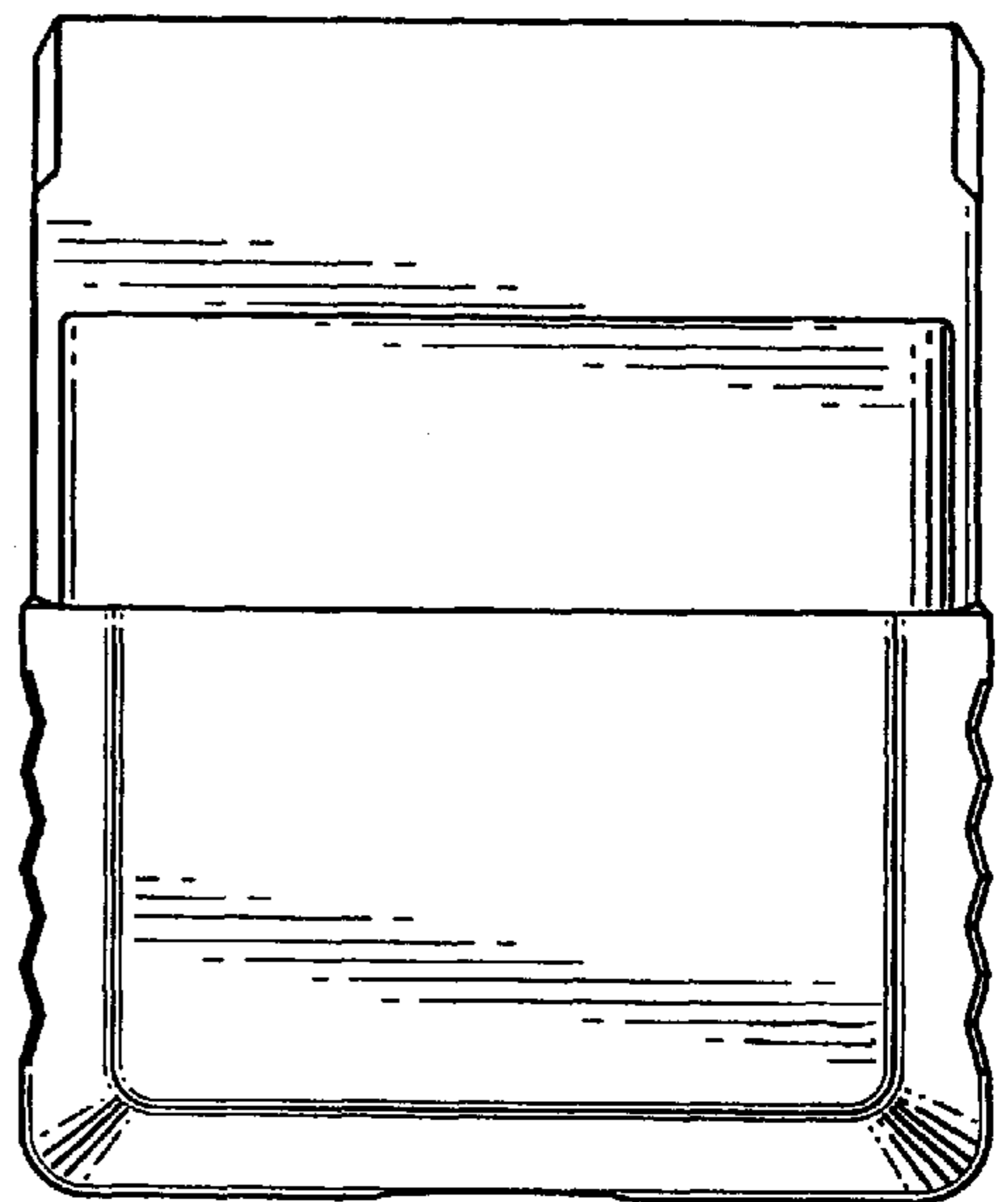


FIG. 11

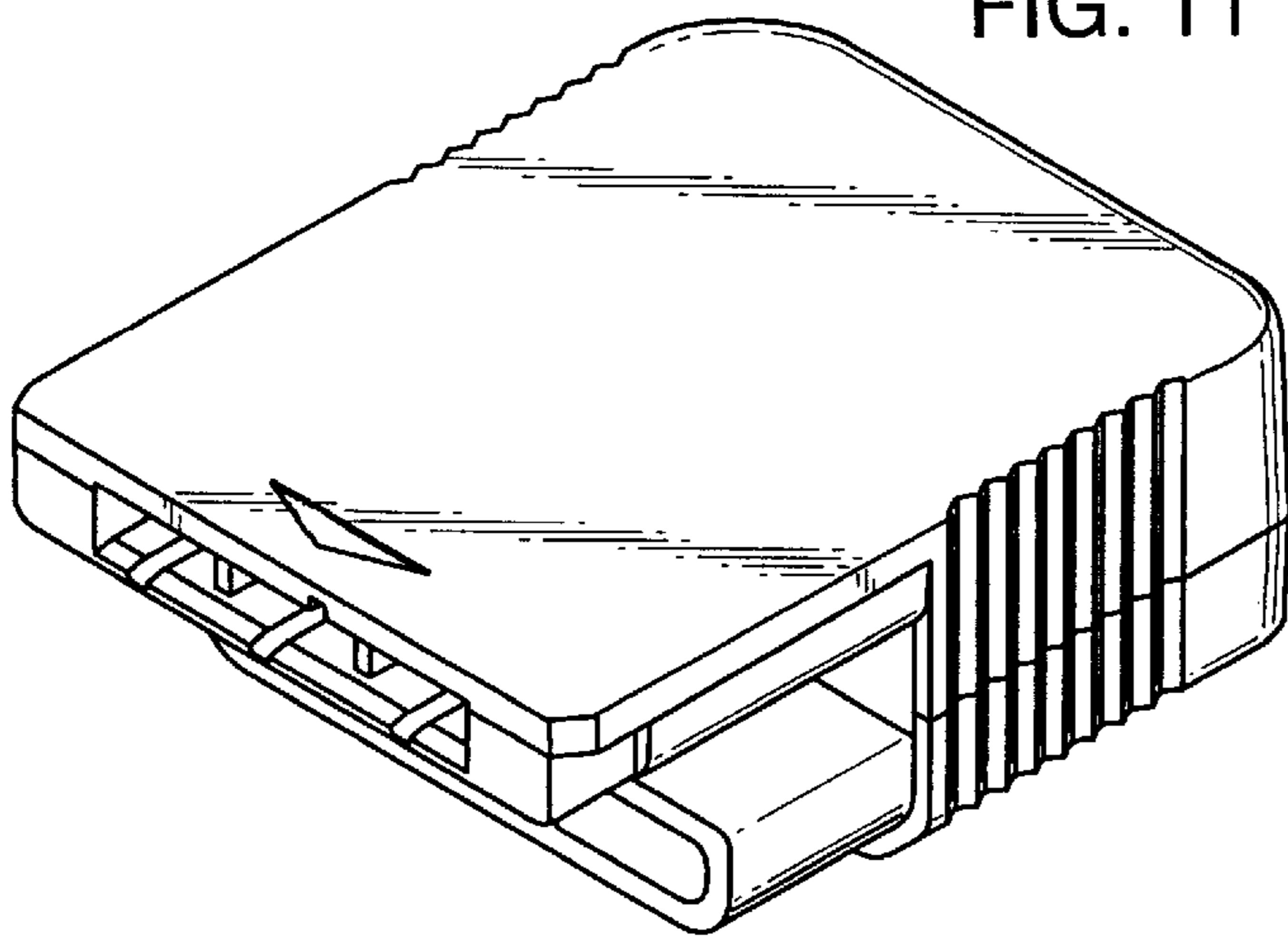


FIG. 17

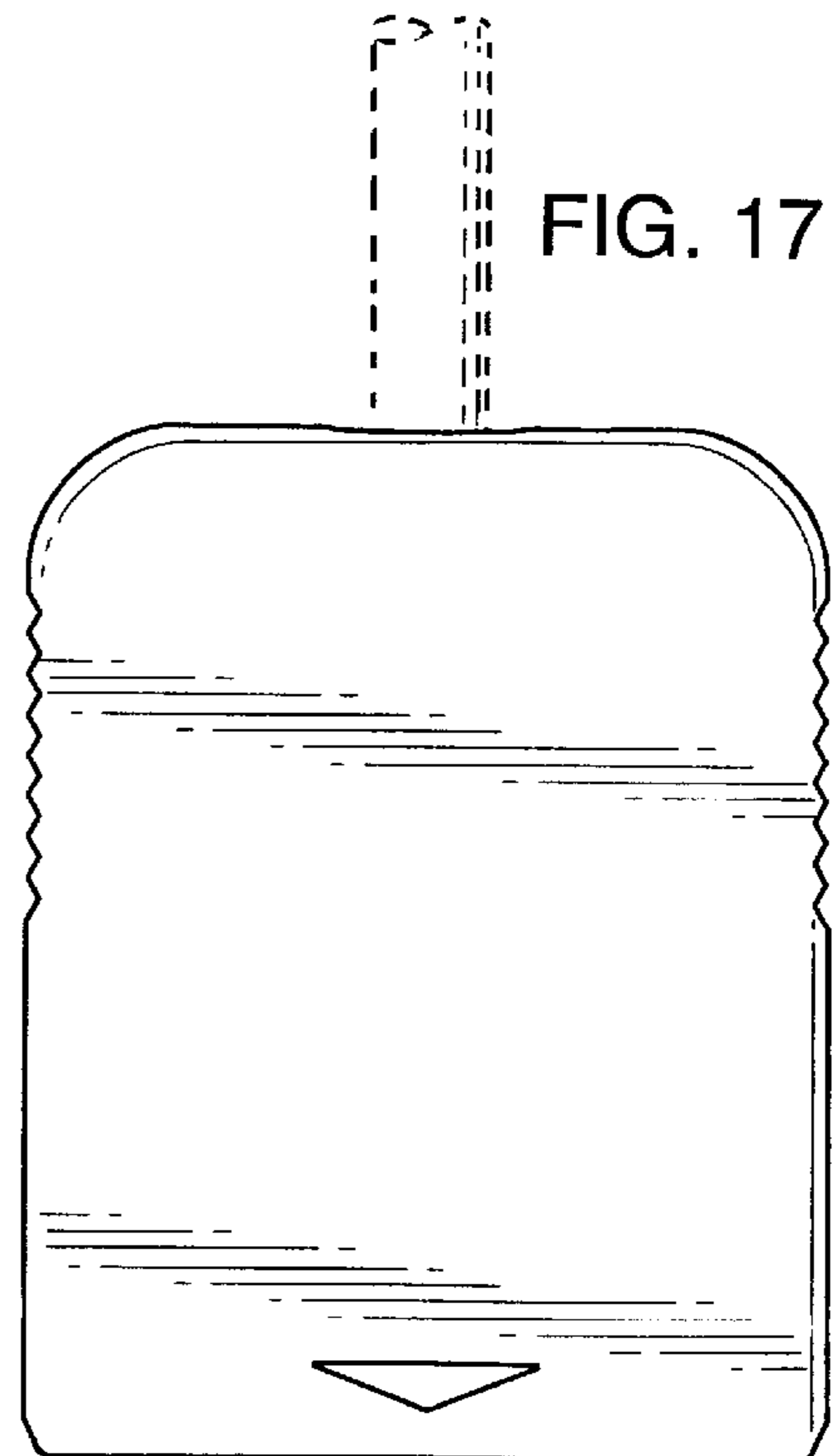


FIG. 12

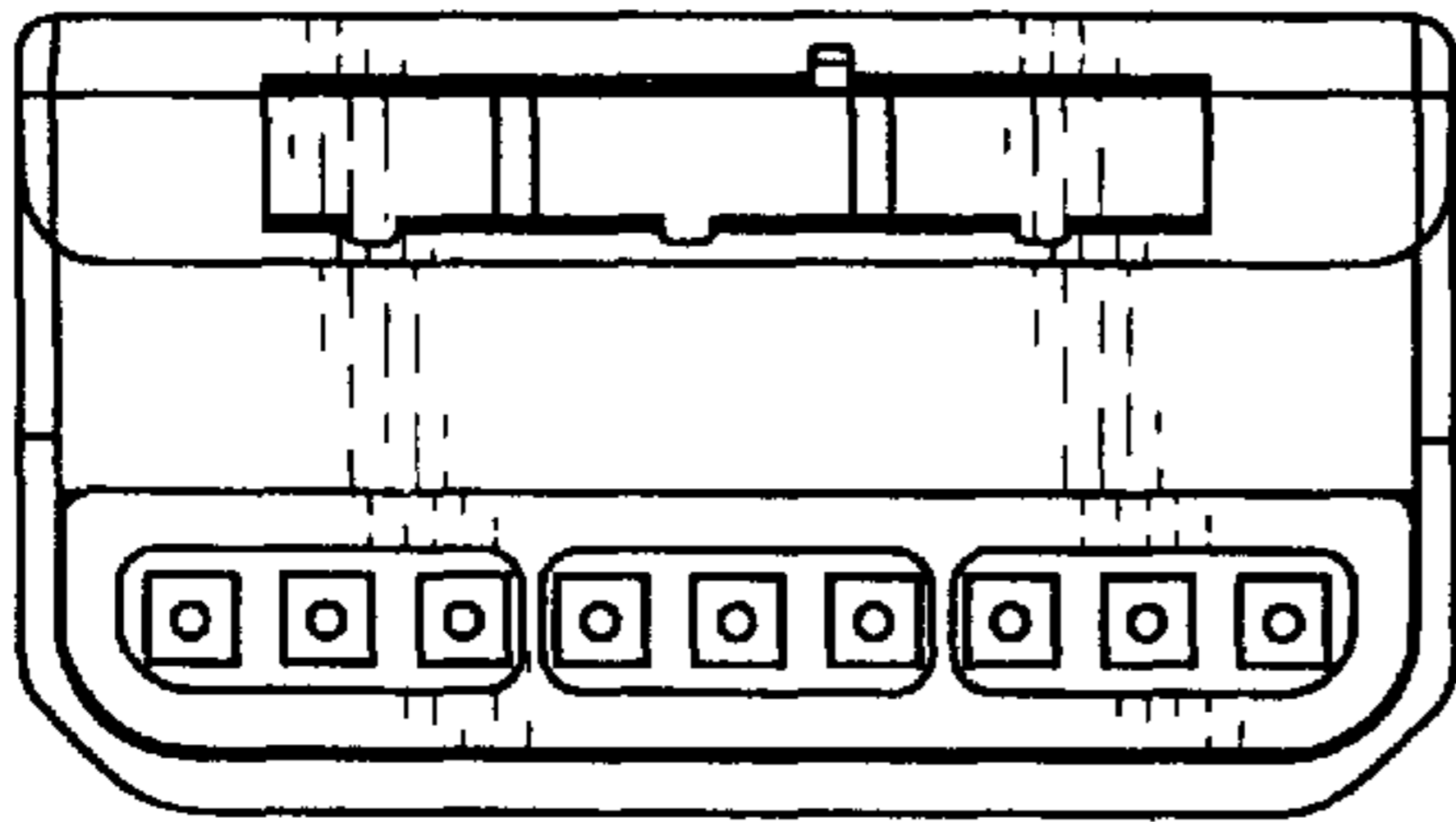


FIG. 13

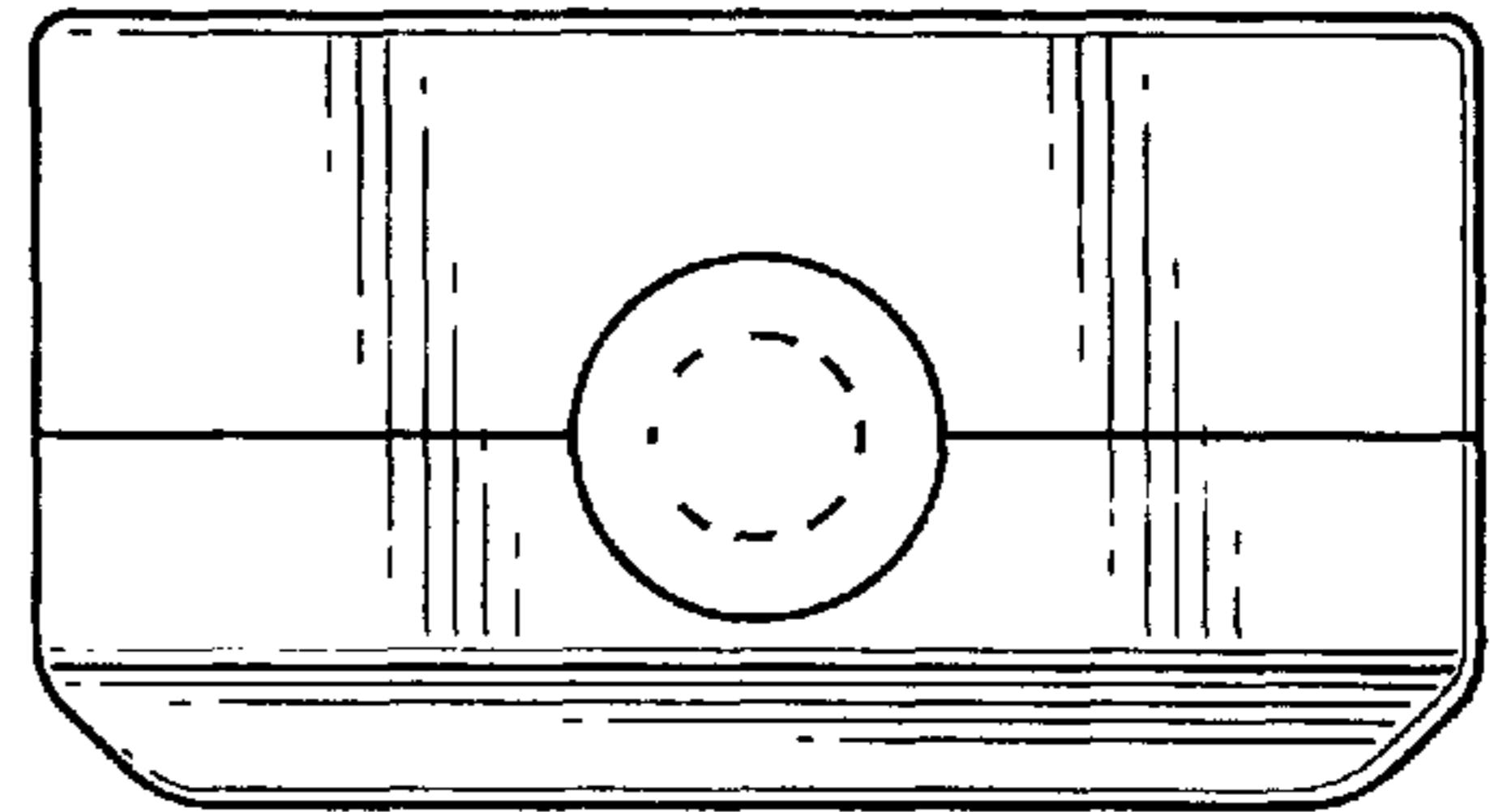


FIG. 14

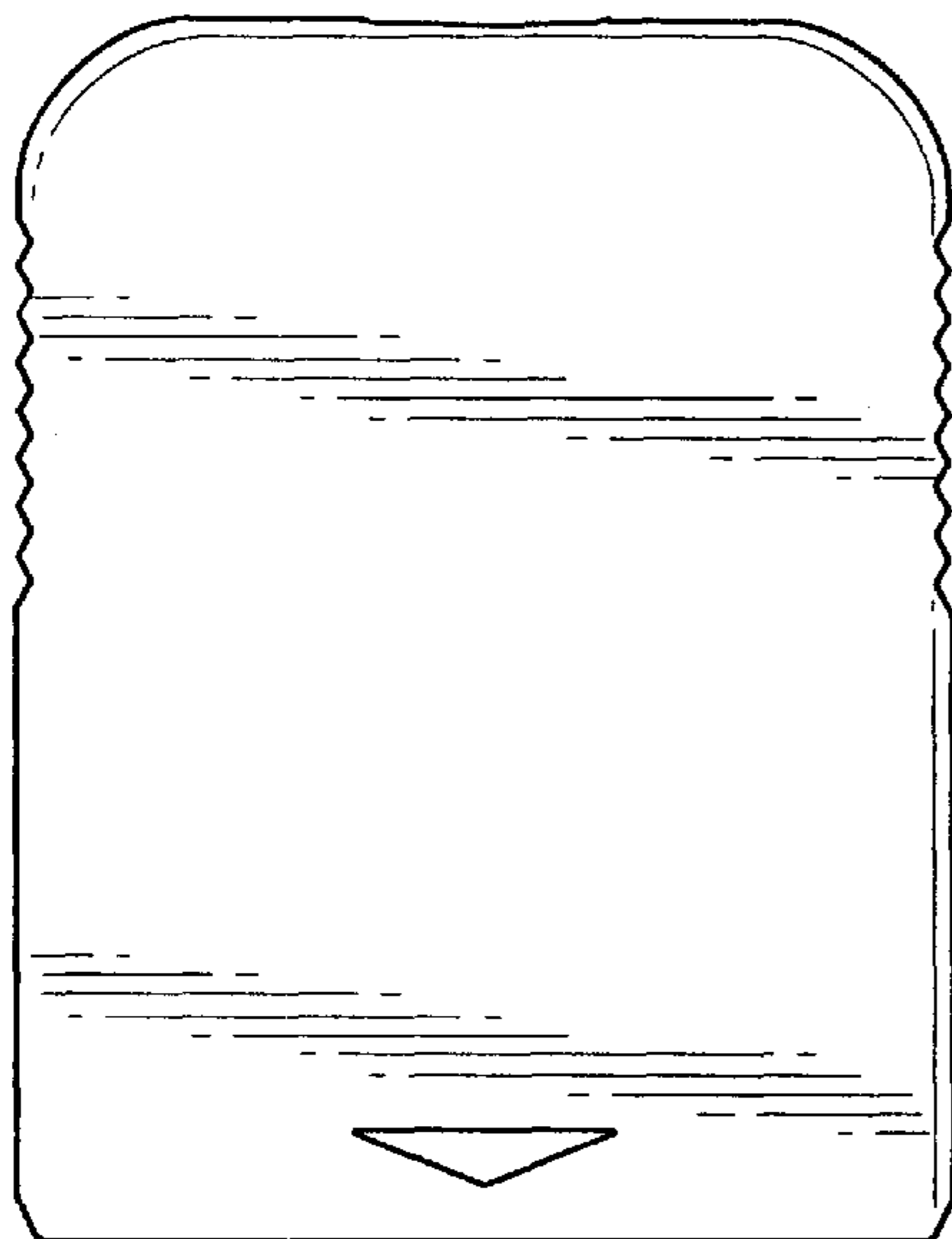


FIG. 15

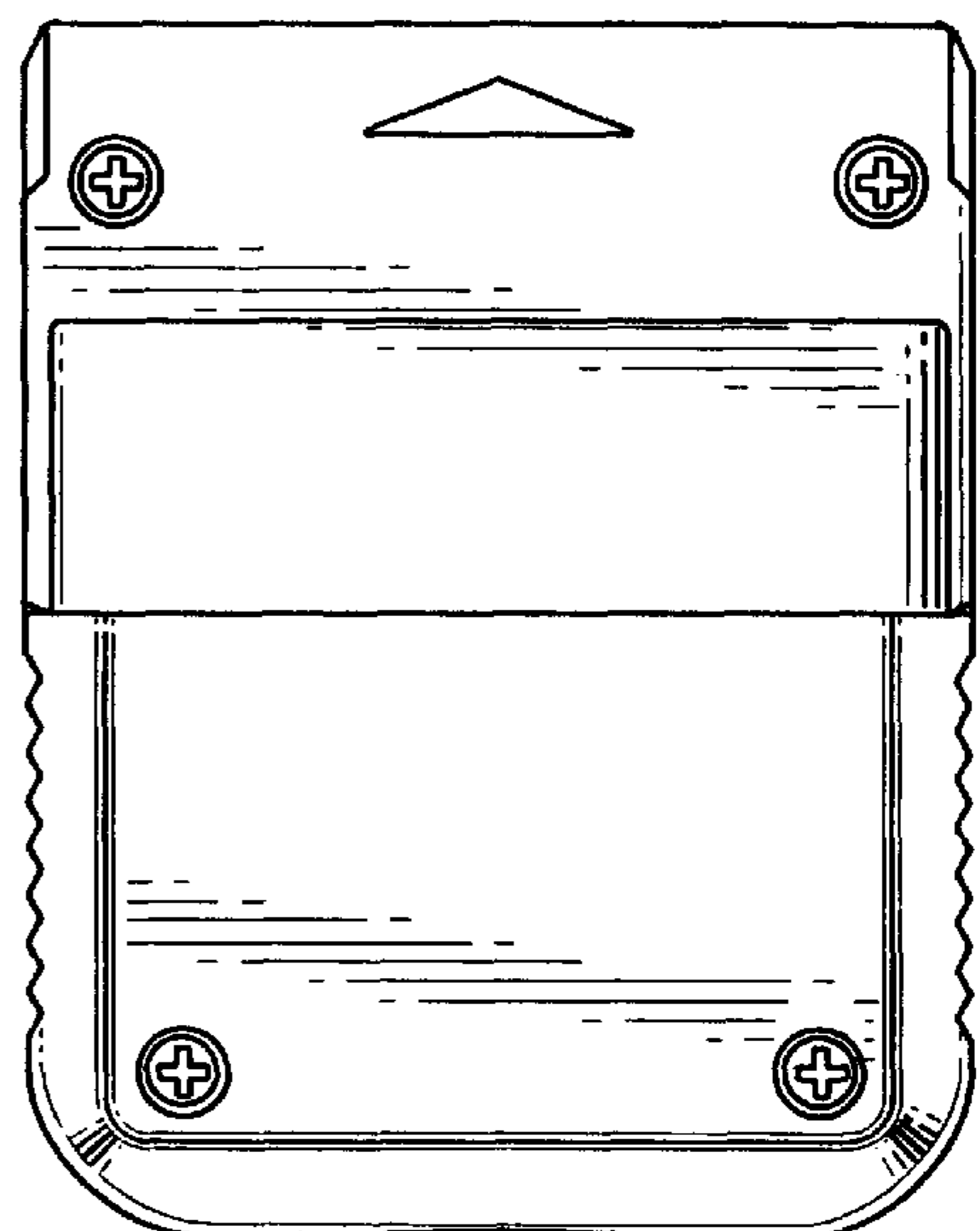
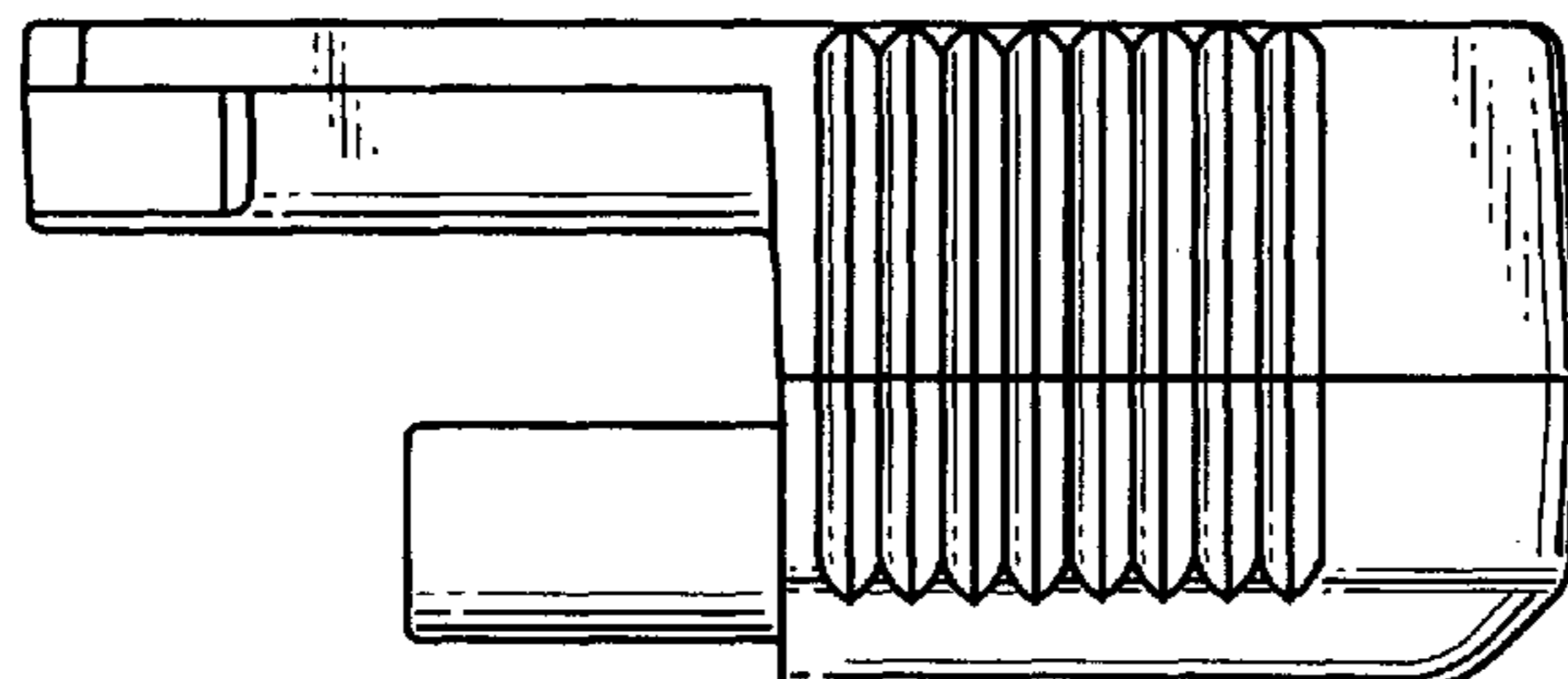


FIG. 16



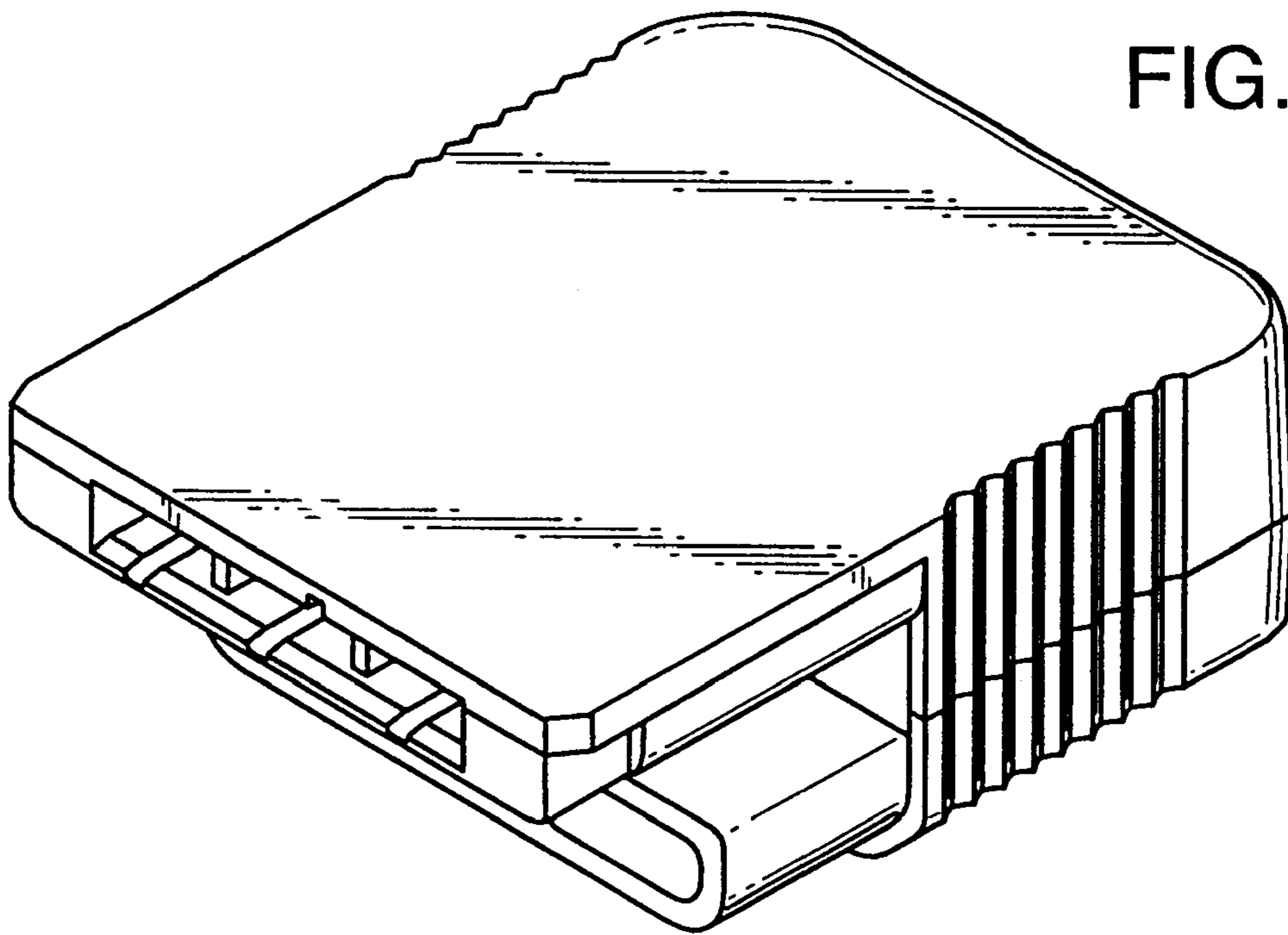


FIG. 18

FIG. 19

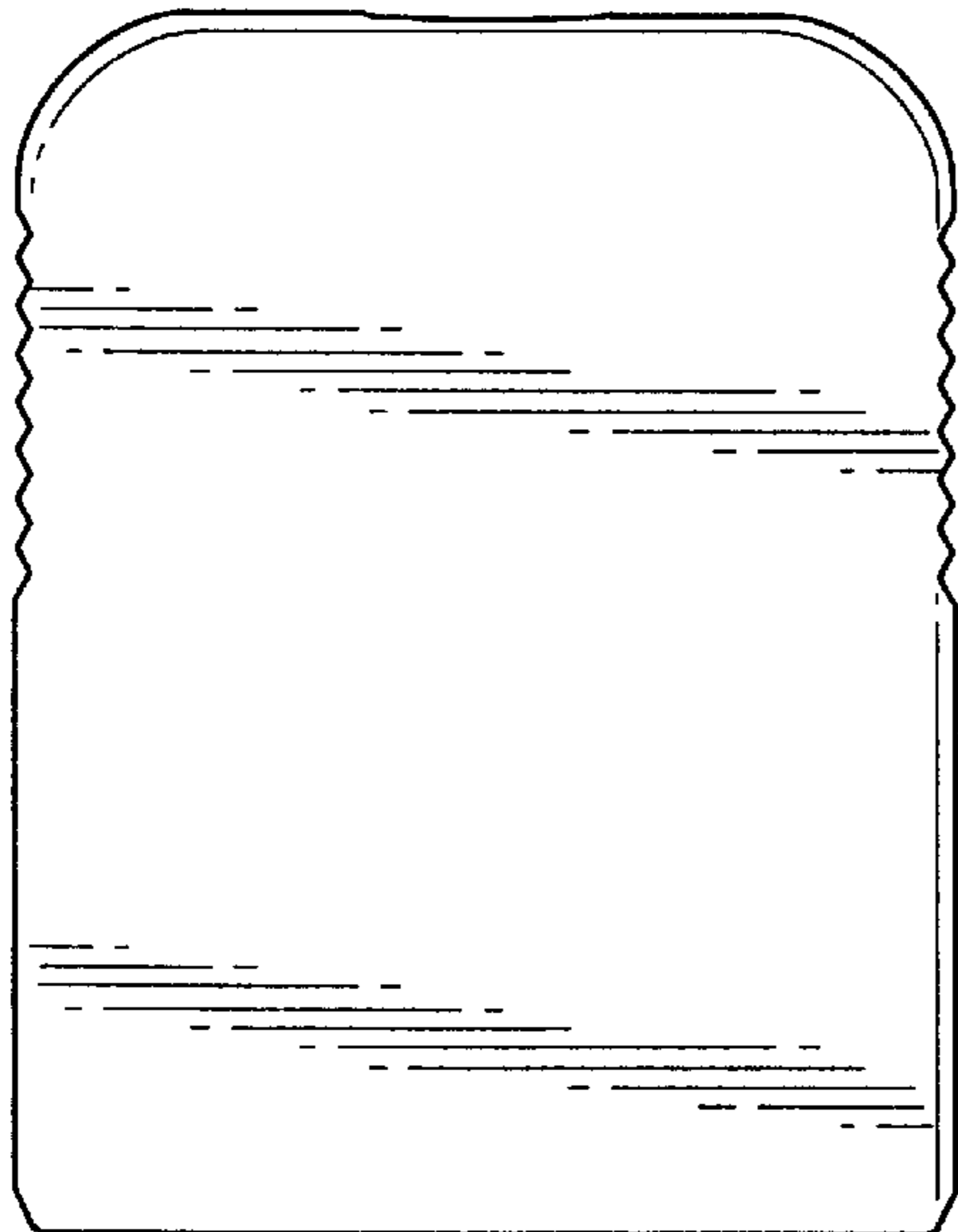


FIG. 20

