



US00D442141S

(12) **United States Design Patent**
Ikenaga

(10) **Patent No.:** **US D442,141 S**

(45) **Date of Patent:** **** May 15, 2001**

(54) **CHARGER FOR COMPUTER**

(75) Inventor: **Takashi Ikenaga**, Tokyo (JP)

(73) Assignee: **Sony Corporation**, Tokyo (JP)

(**) Term: **14 Years**

(21) Appl. No.: **29/128,780**

(22) Filed: **Aug. 31, 2000**

(51) **LOC (7) Cl.** **13-02**

(52) **U.S. Cl.** **D13/107**

(58) **Field of Search** D13/107, 108;
320/107-115

(56) **References Cited**

U.S. PATENT DOCUMENTS

- D. 310,272 * 8/1990 Gallanis et al. D28/53
- D. 409,170 * 5/1999 Ota et al. D13/107 X
- D. 414,180 * 9/1999 Waldner D13/108 X
- D. 420,974 * 2/2000 Minagawa D13/108

OTHER PUBLICATIONS

Home page "Palm online Catalog", 2 sheets, Palm Computing Kabushiki Kaisha, Jul. 2000.

Home page "Visor Catalog", 1 sheet, Handspring Kabushiki Kaisha, Jul. 2000.

Home page "IBM", 1 sheet, 1 sheet, IBM Corporation, Jul. 2000.

* cited by examiner

Primary Examiner—Joel Sincavage

(74) *Attorney, Agent, or Firm*—Rader, Fishman & Grauer

(57) **CLAIM**

The ornamental design for a charger for computer, as shown and described.

DESCRIPTION

FIG. 1 is a perspective view of a charger for a computer showing my new design;

FIG. 2 is a top plan view thereof;

FIG. 3 is a bottom plan view thereof;

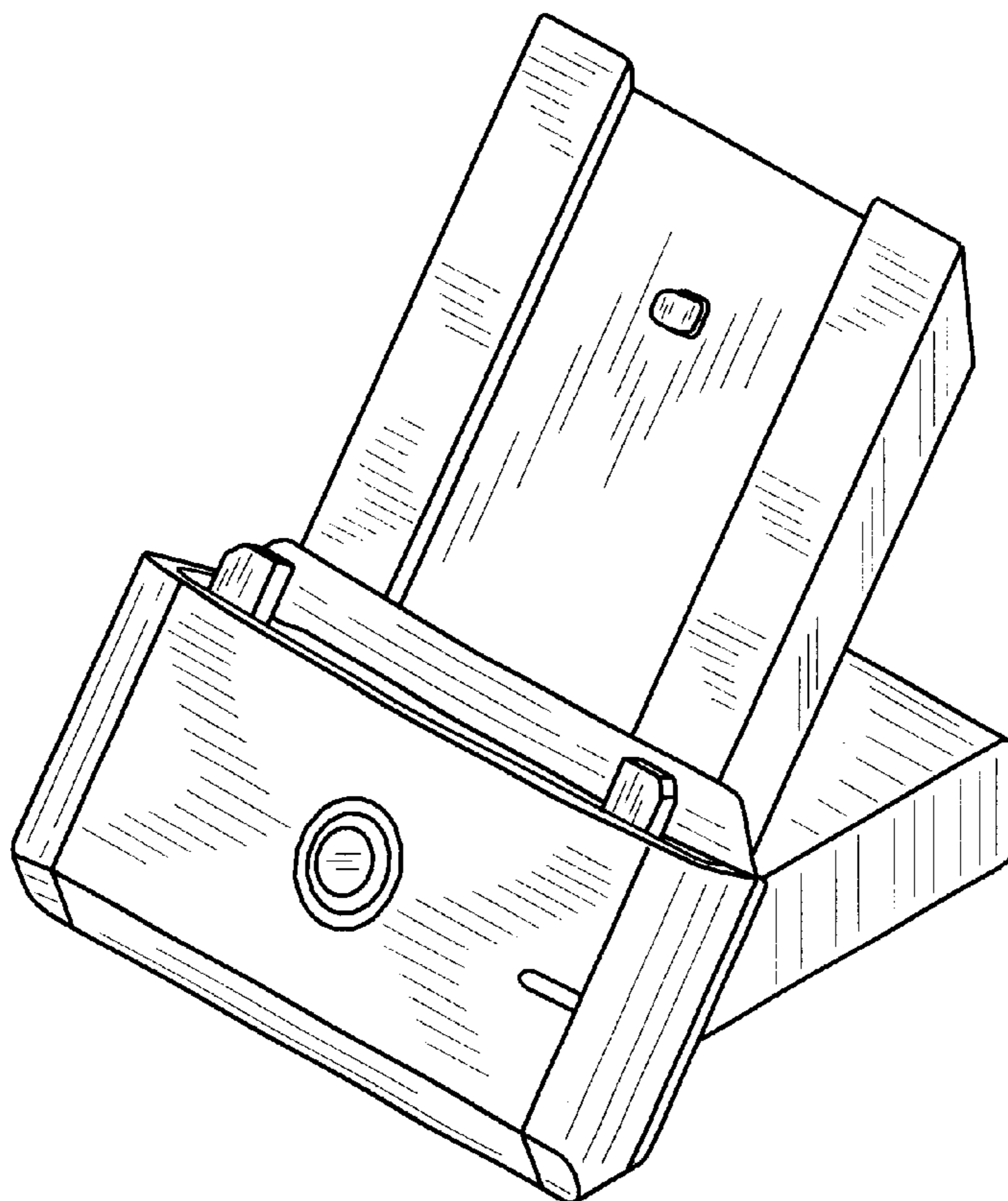
FIG. 4 is a left side elevational view thereof;

FIG. 5 is a right side elevational view thereof;

FIG. 6 is a front elevational view thereof; and,

FIG. 7 is a rear elevational view thereof.

1 Claim, 4 Drawing Sheets



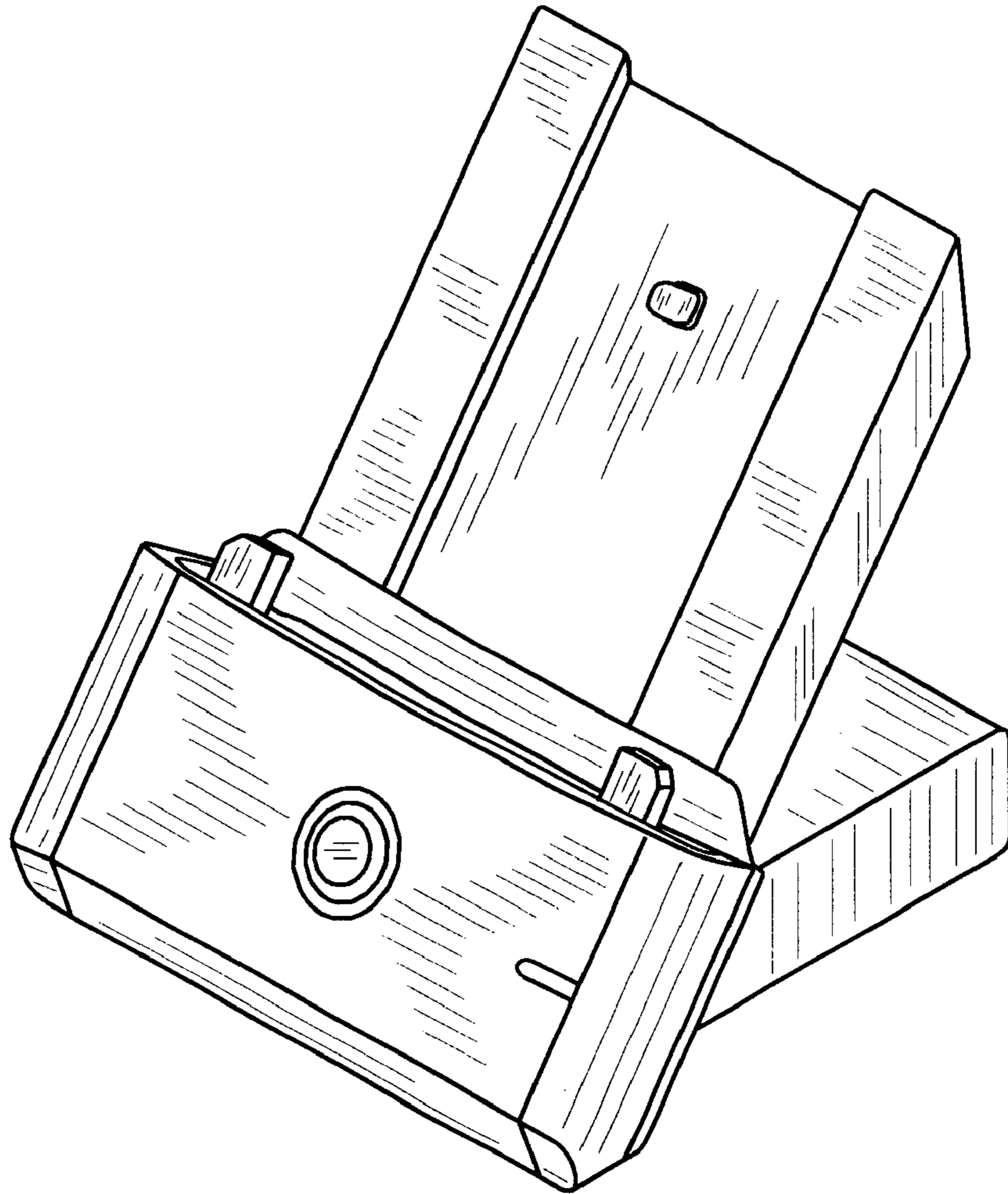


FIG. 1

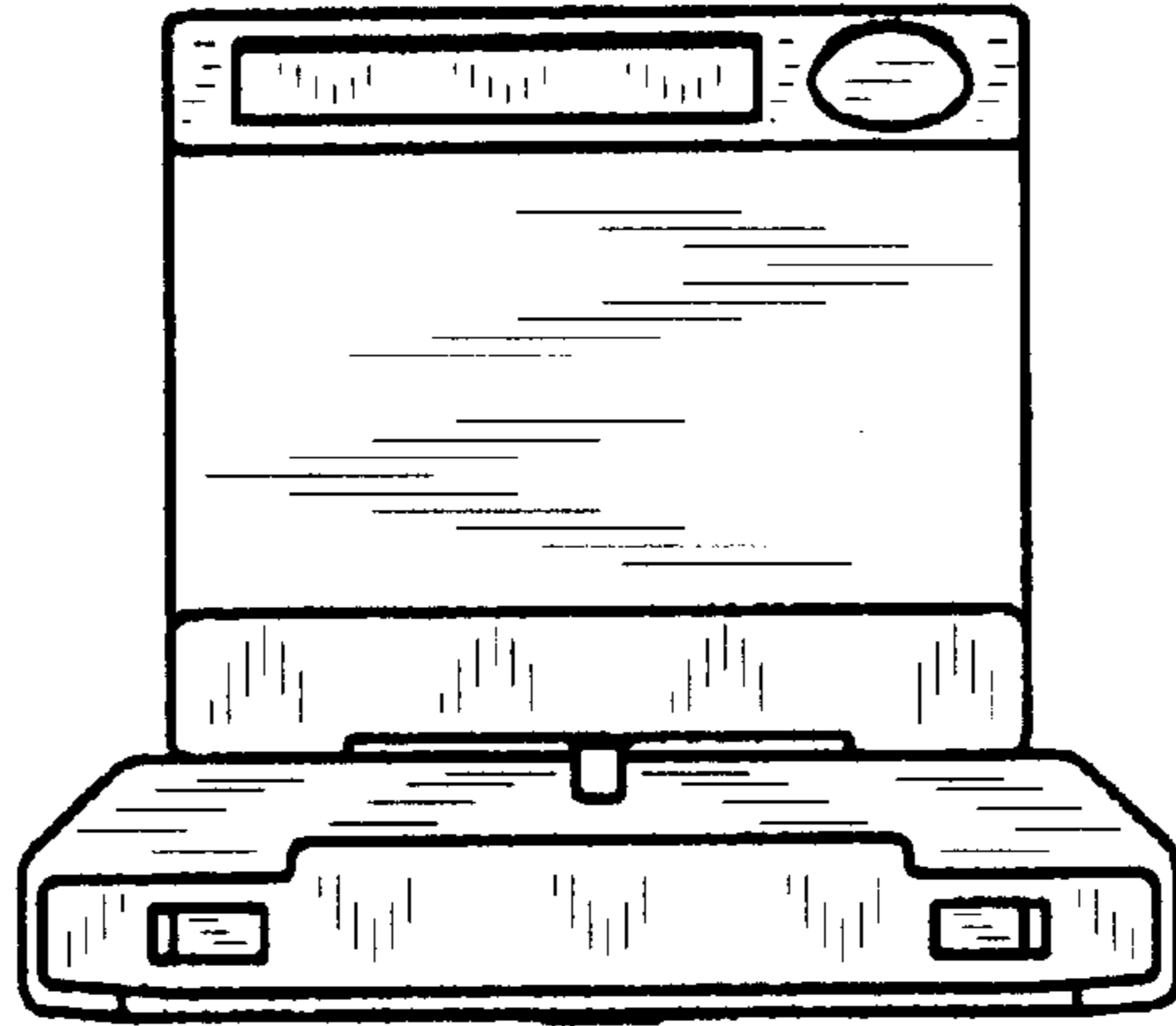


FIG. 2

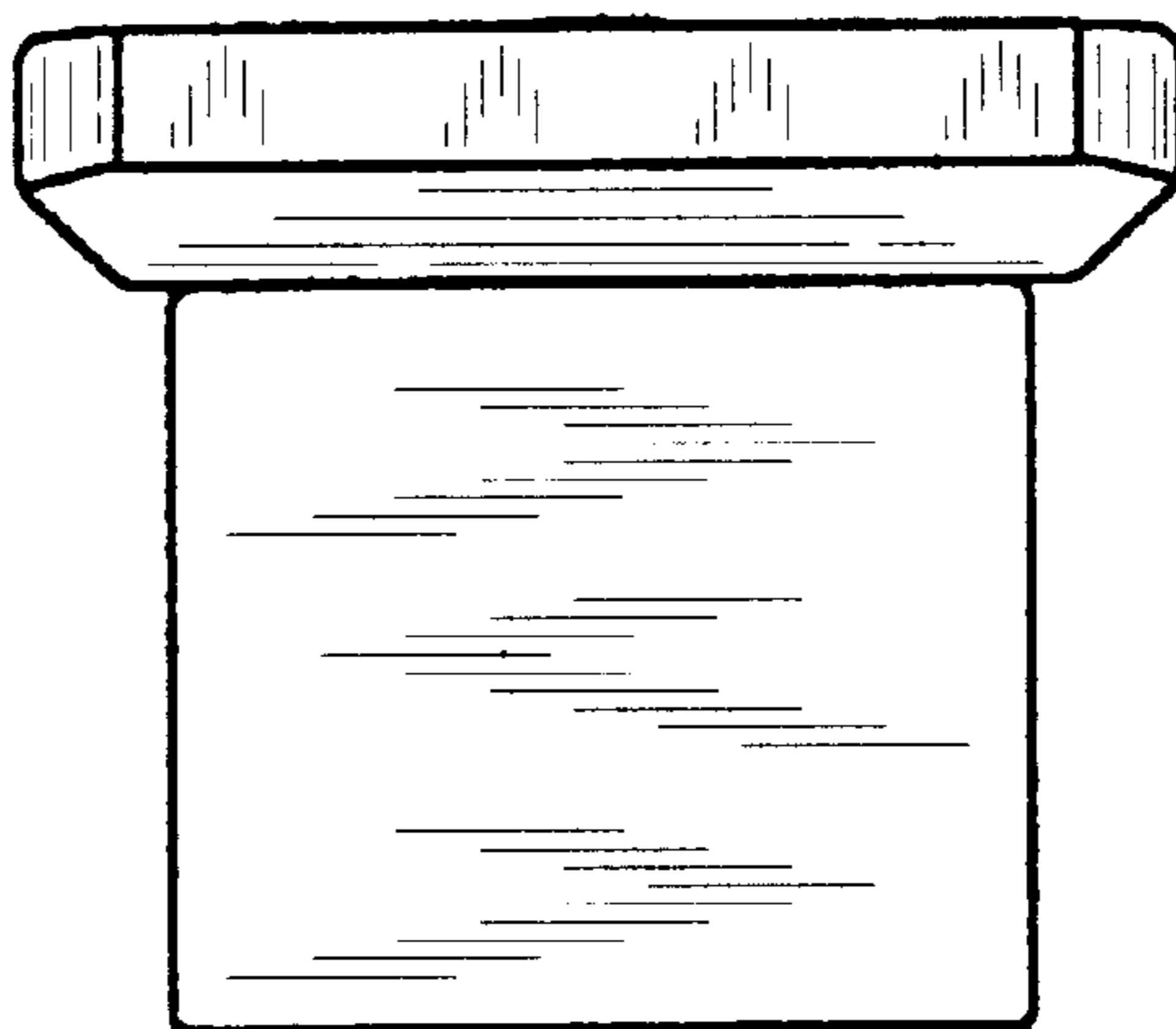


FIG. 3

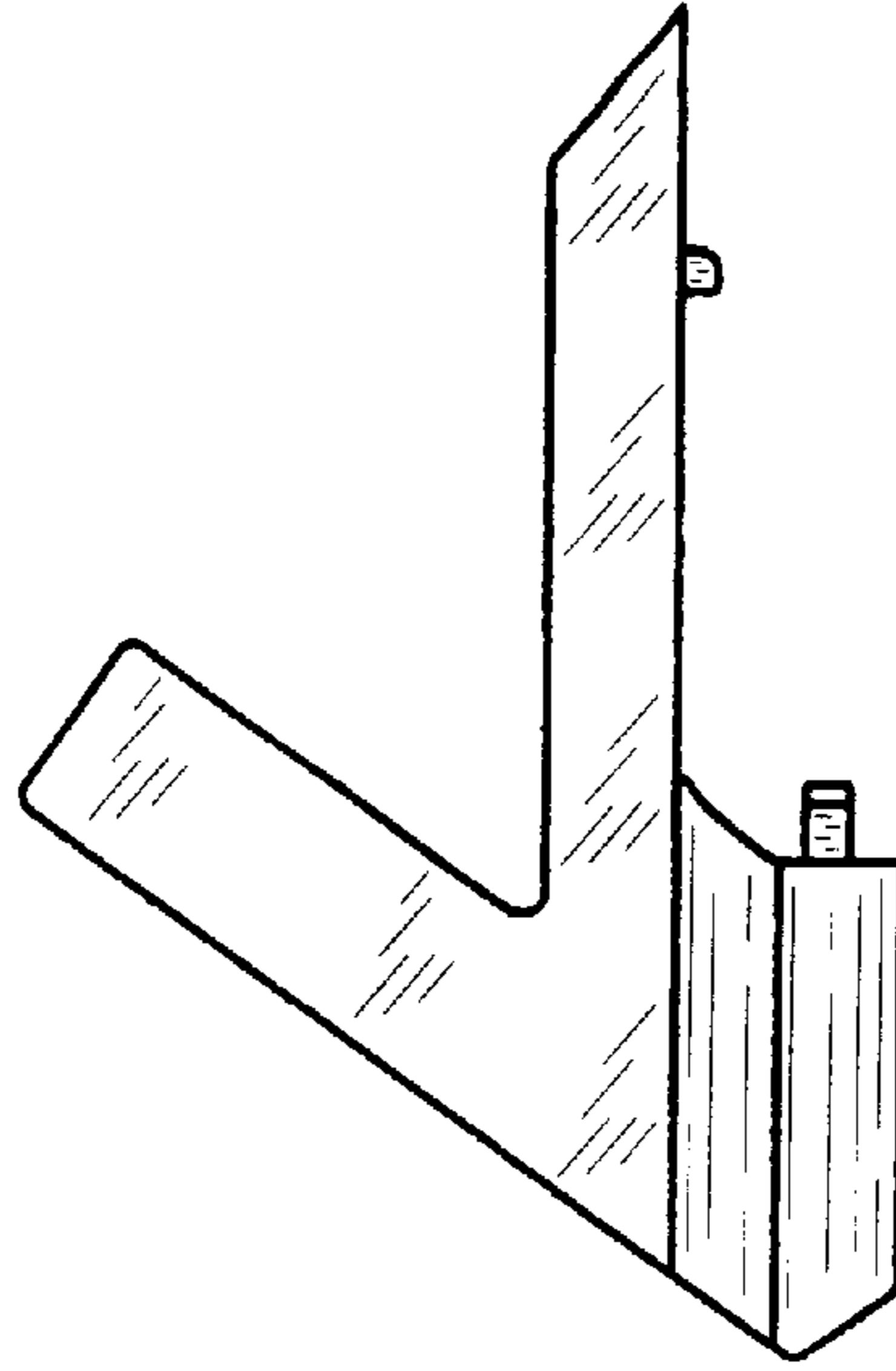


FIG. 4

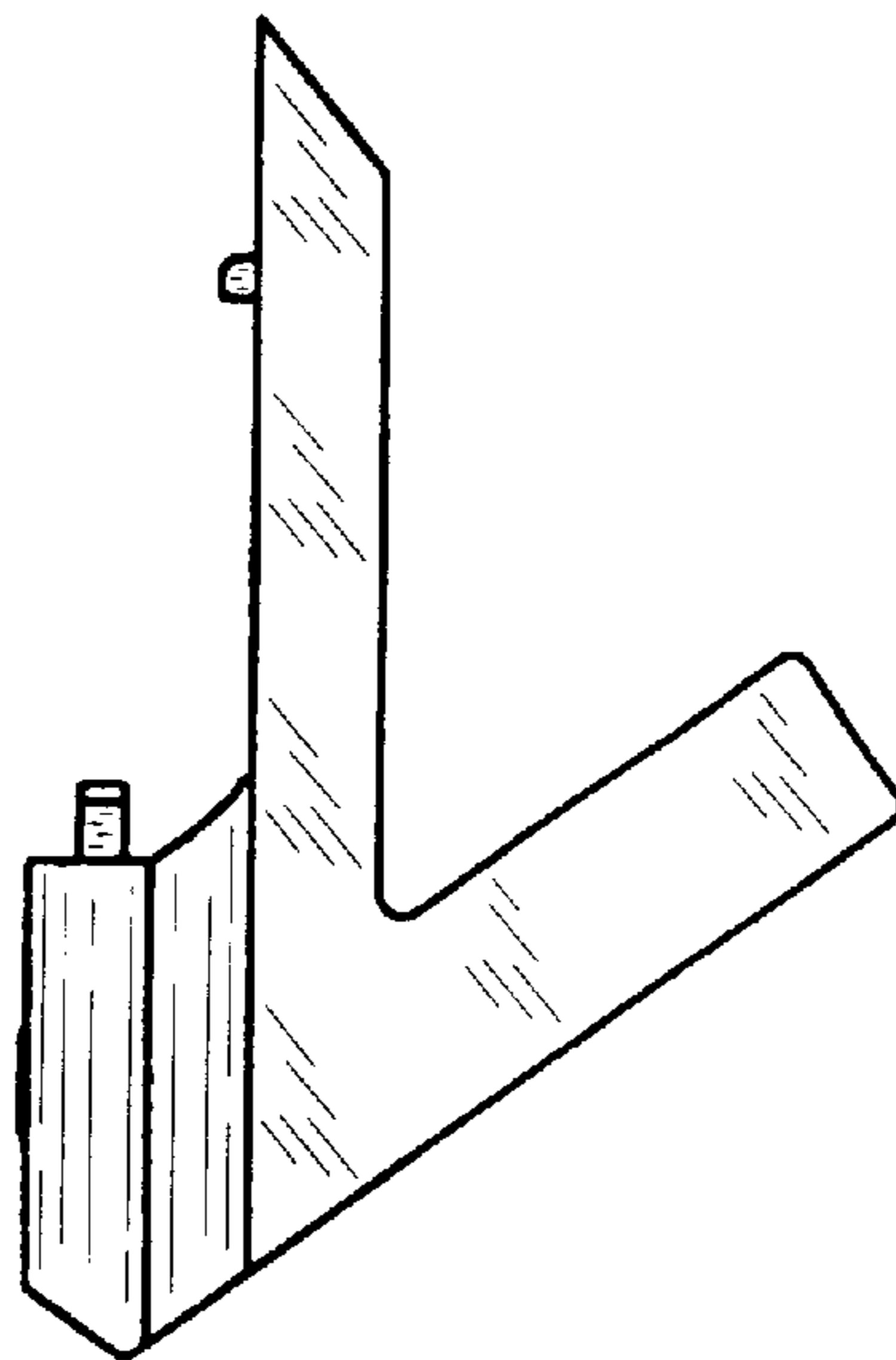


FIG. 5

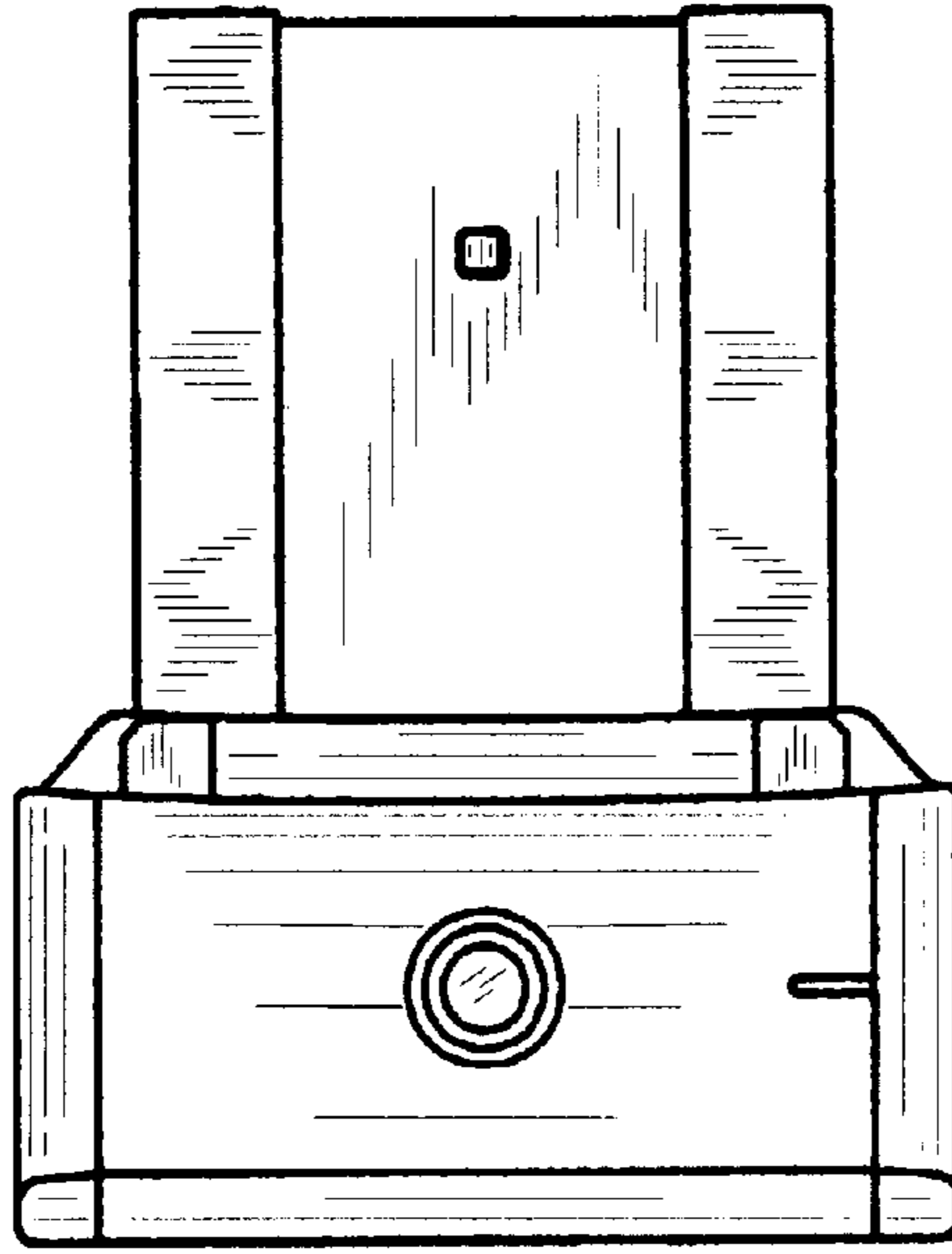


FIG. 6

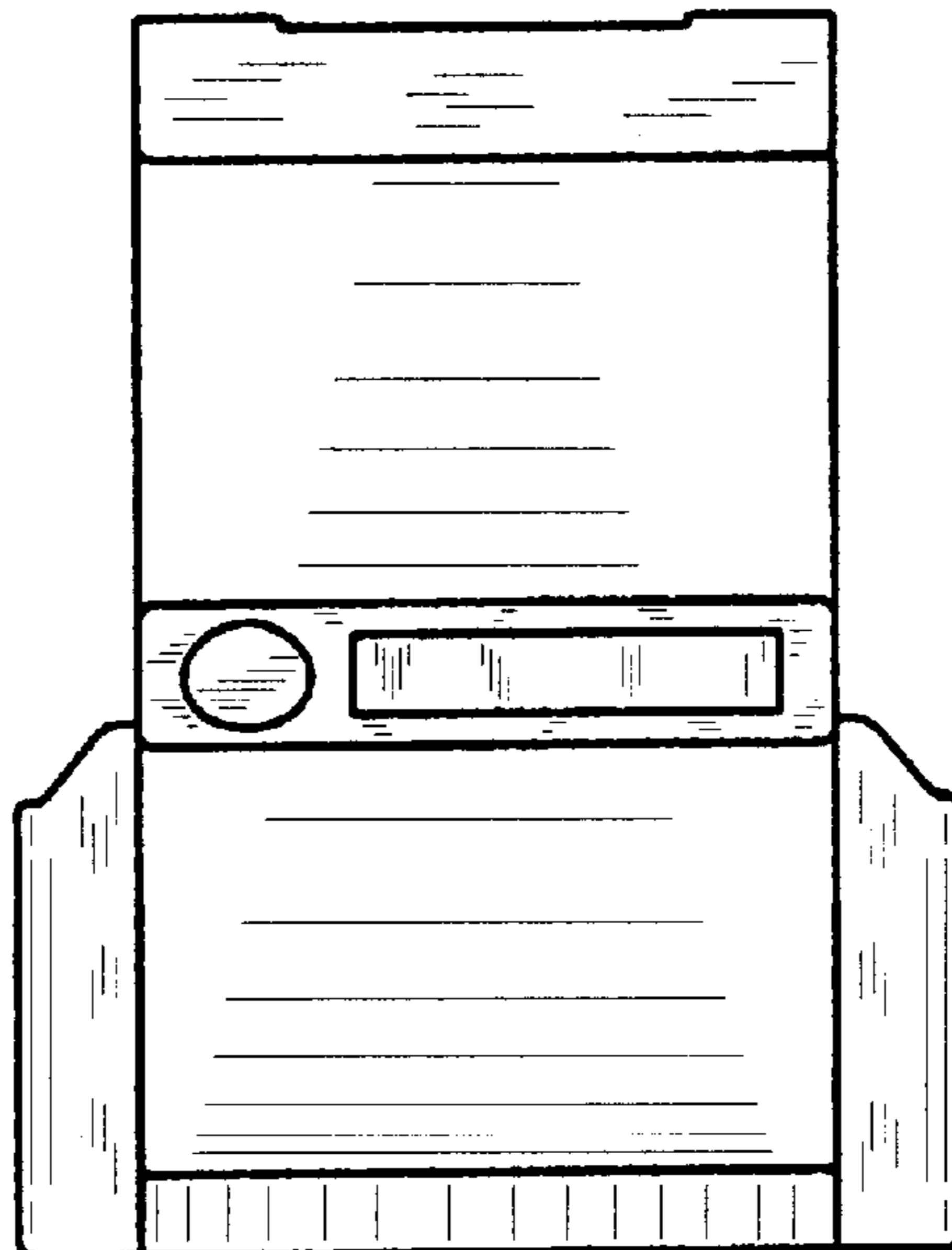


FIG. 7