



US00D442140S

(12) **United States Design Patent**  
**Kasuya et al.**

(10) **Patent No.:** **US D442,140 S**

(45) **Date of Patent:** **\*\* May 15, 2001**

(54) **BATTERY CHARGER**

(75) Inventors: **Toshiyasu Kasuya; Junichi Masuda; Kiyozumi Kokawa**, all of Anjo (JP)

(73) Assignee: **Makita Corporation**, Anjo (JP)

(\*\*) Term: **14 Years**

(21) Appl. No.: **29/124,288**

(22) Filed: **May 30, 2000**

(30) **Foreign Application Priority Data**

Nov. 30, 1999 (JP) ..... 11-33107  
Nov. 30, 1999 (JP) ..... 11-33108

(51) **LOC (7) Cl.** ..... **13-02**

(52) **U.S. Cl.** ..... **D13/107**

(58) **Field of Search** ..... D13/107, 108,  
D13/118; D14/149, 251, 253; 320/110-115

(56) **References Cited**

**U.S. PATENT DOCUMENTS**

D. 408,352 \* 4/1999 Tashiro ..... D13/107  
D. 409,976 \* 5/1999 Buck ..... D13/107  
D. 427,145 \* 6/2000 Singh et al. .... D13/107  
D. 427,564 \* 7/2000 Wu ..... D13/107  
D. 427,965 \* 7/2000 Wu ..... D13/107

**FOREIGN PATENT DOCUMENTS**

959794 7/1996 (JP).

\* cited by examiner

*Primary Examiner*—Joel Sincavage

(74) *Attorney, Agent, or Firm*—Dennison, Scheiner, Schultz & Wakeman

(57) **CLAIM**

The ornamental design for a battery charger, as shown and described.

**DESCRIPTION**

FIG. 1 is a perspective view of a battery charger showing my new design;

FIG. 2 is a front elevation view thereof;

FIG. 3 is a rear elevation view thereof;

FIG. 4 is a left side elevation view thereof;

FIG. 5 is a right side elevation view thereof;

FIG. 6 is a top plan view thereof;

FIG. 7 is a bottom plan view thereof.

FIG. 8 is a perspective view of a second embodiment of the battery charger shown in FIG. 1;

FIG. 9 is a front elevation view thereof;

FIG. 10 is a rear elevation view thereof;

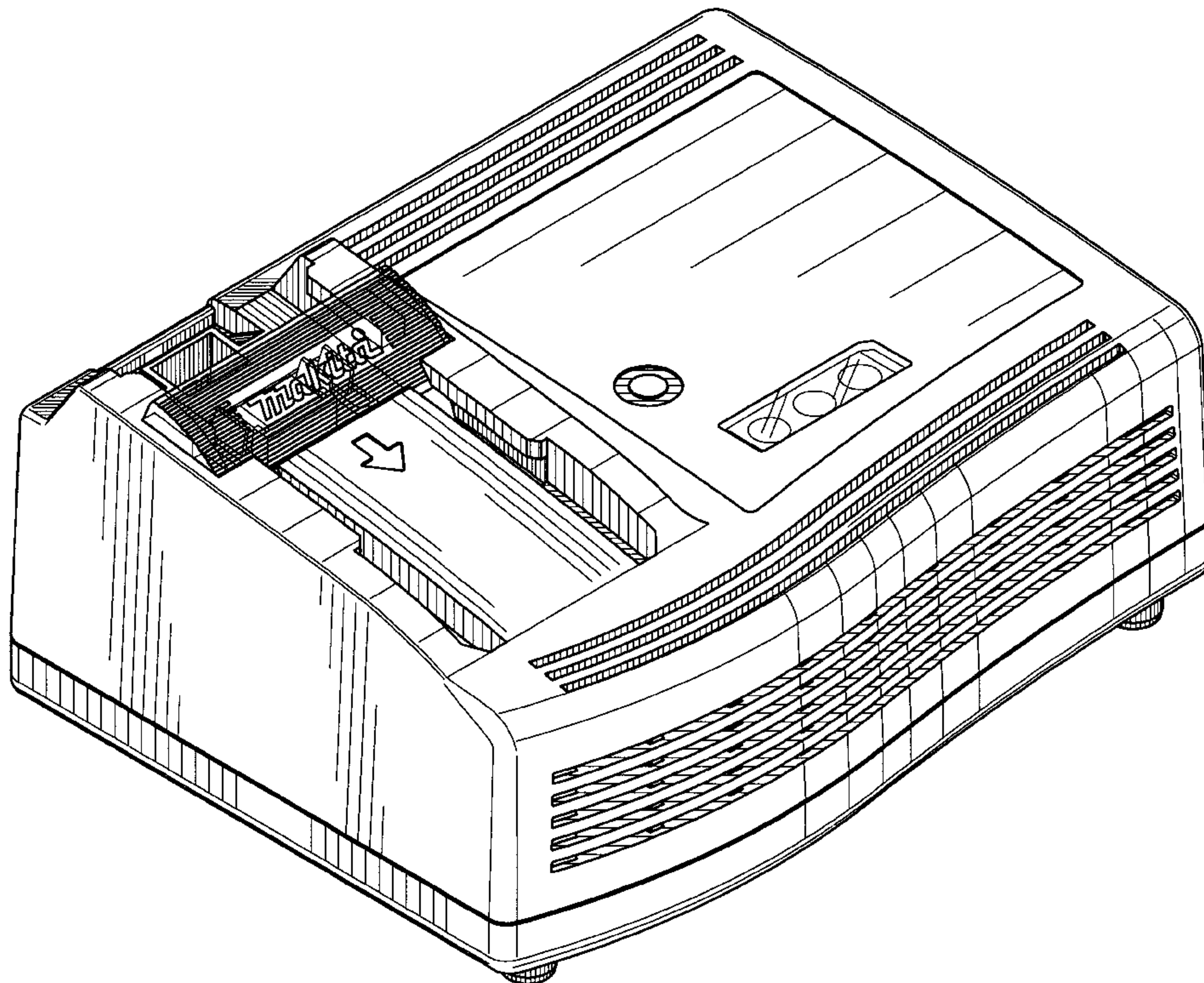
FIG. 11 is a left side elevation view thereof;

FIG. 12 is a right side elevation view thereof;

FIG. 13 is a top plan view thereof; and,

FIG. 14 is a bottom plan view thereof.

**1 Claim, 10 Drawing Sheets**



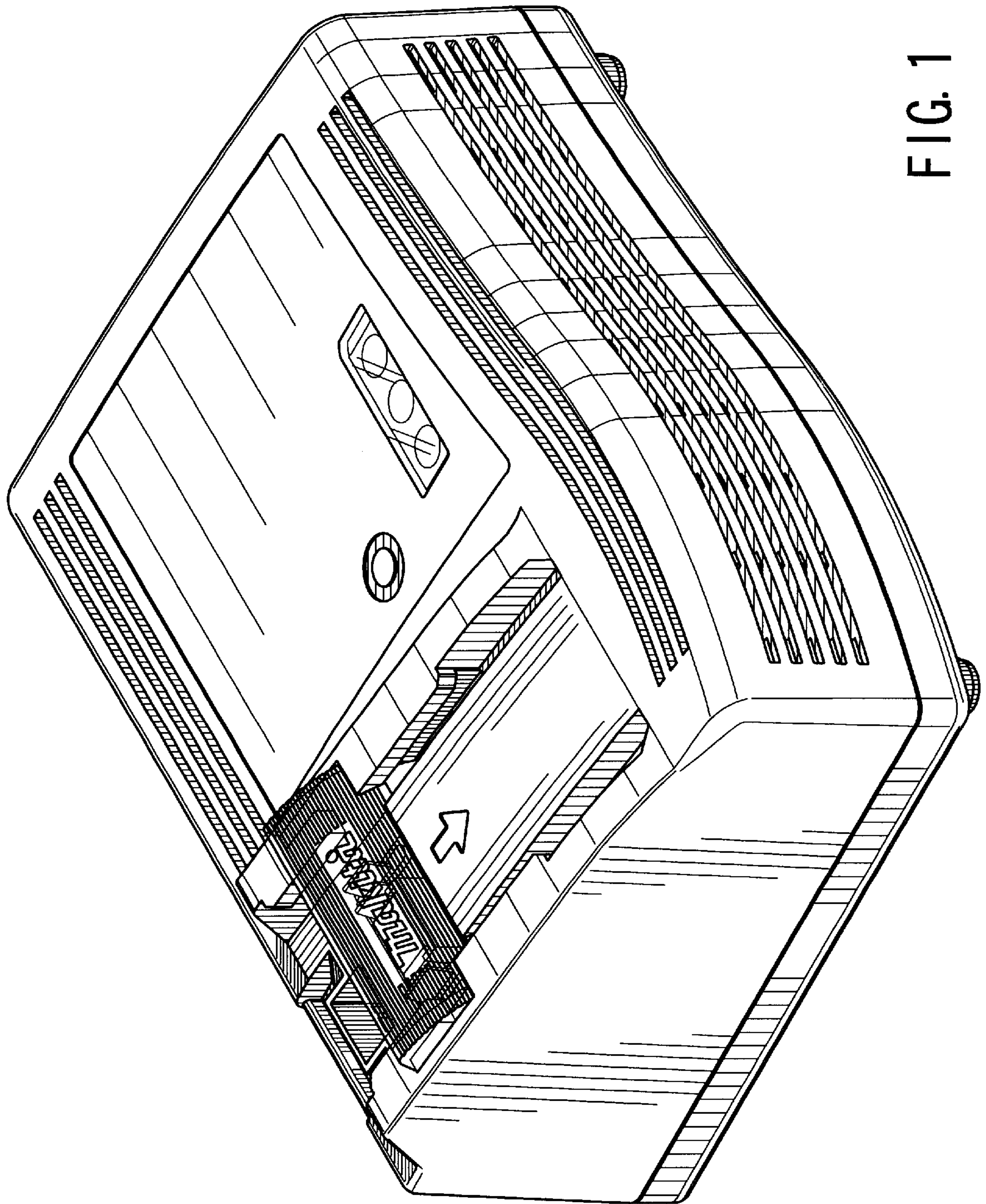


FIG. 1



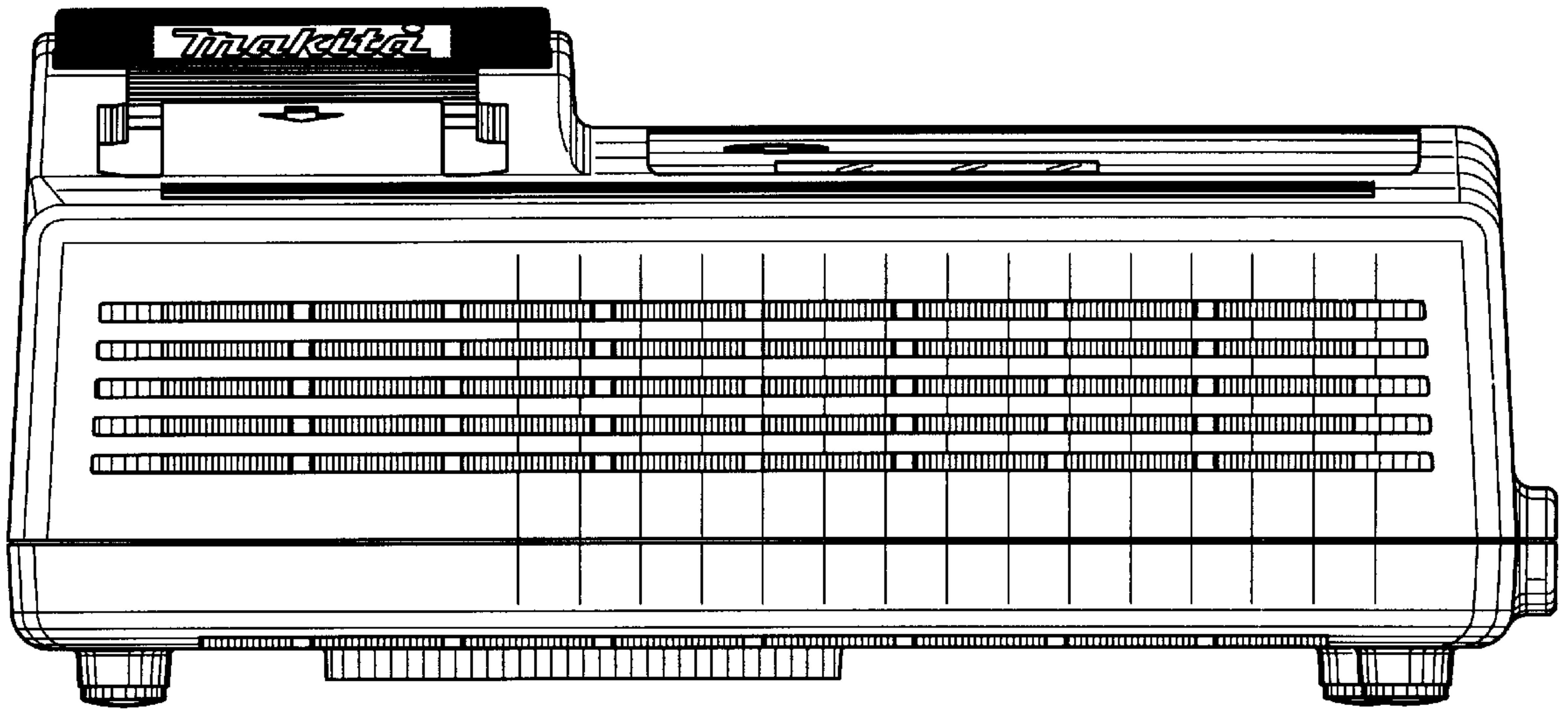


FIG. 2

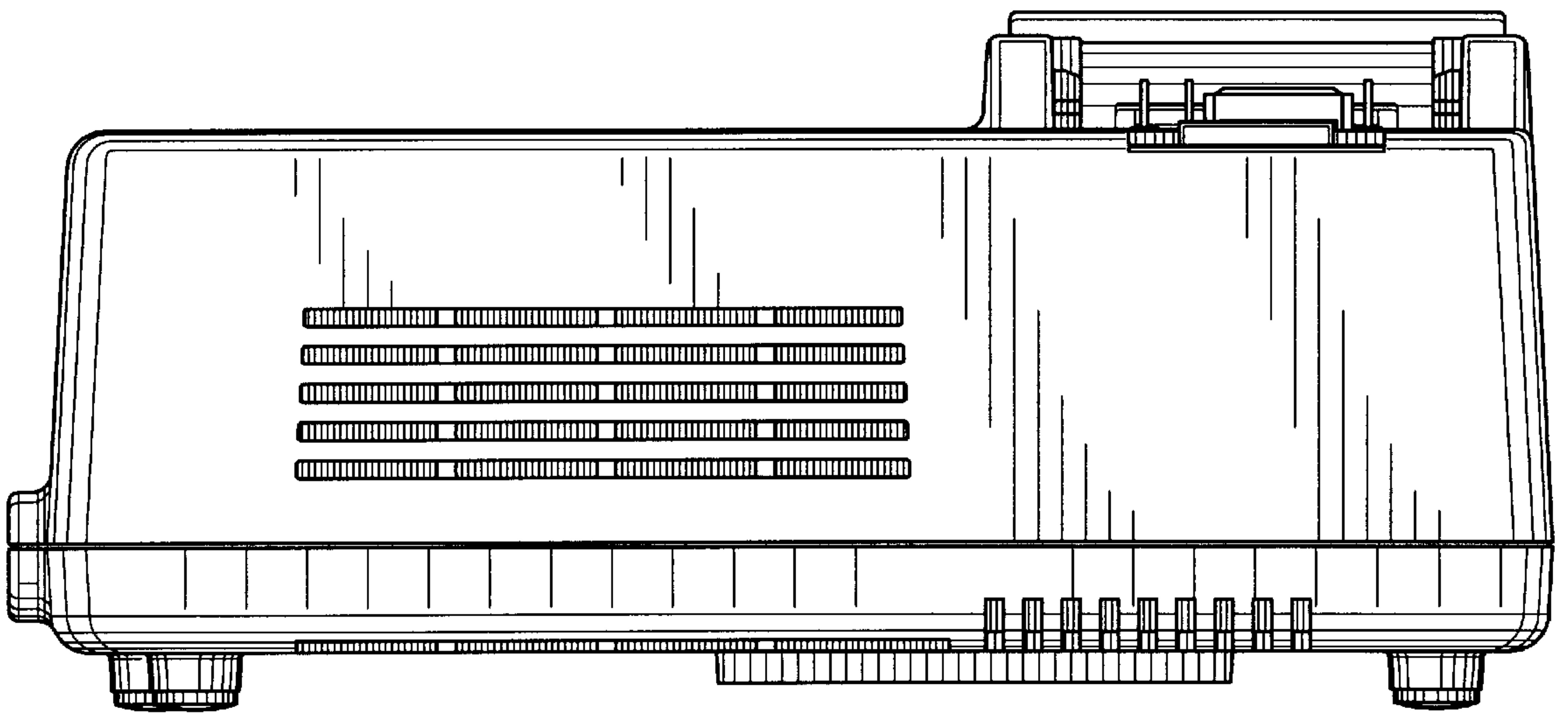


FIG. 3

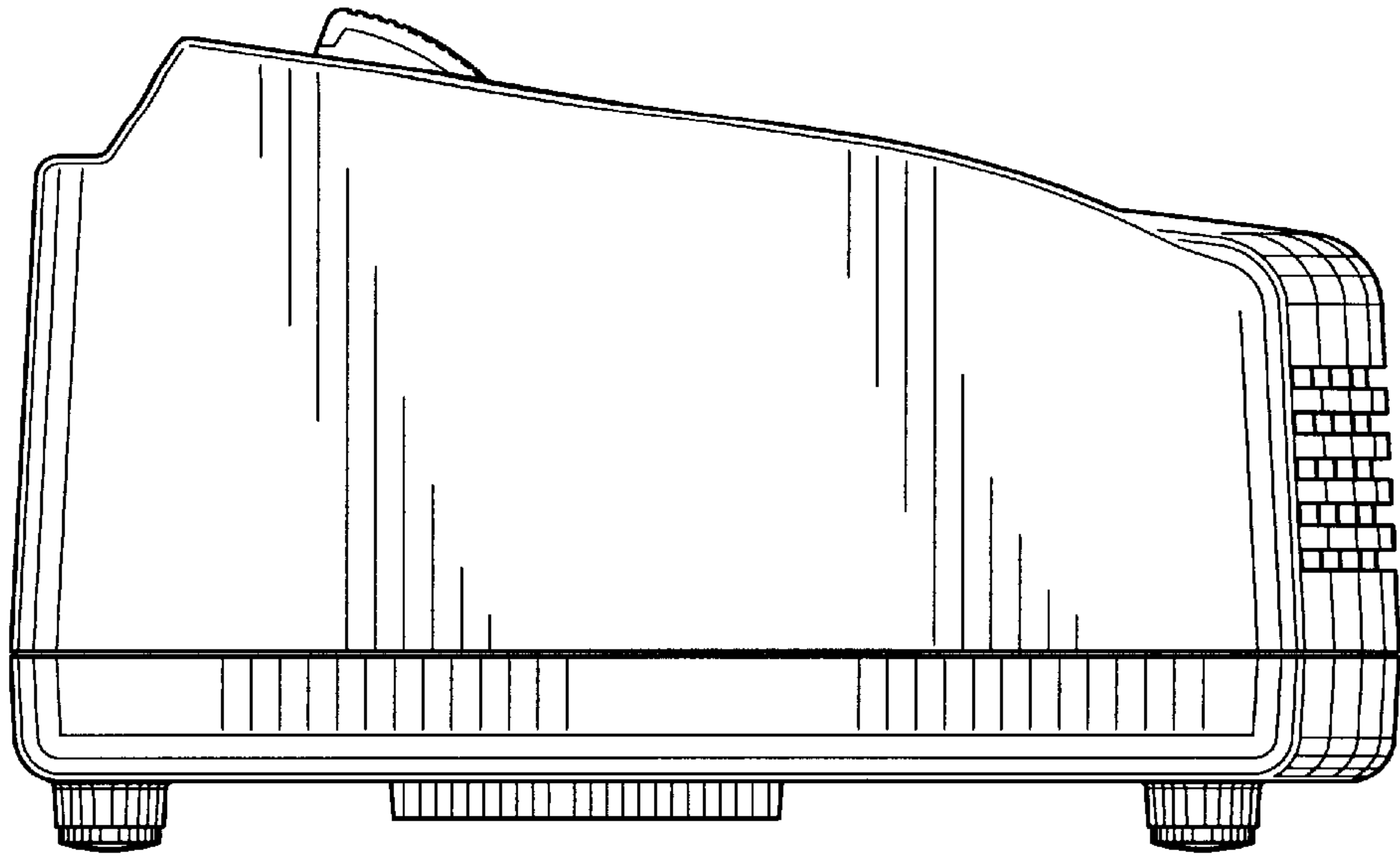


FIG. 4

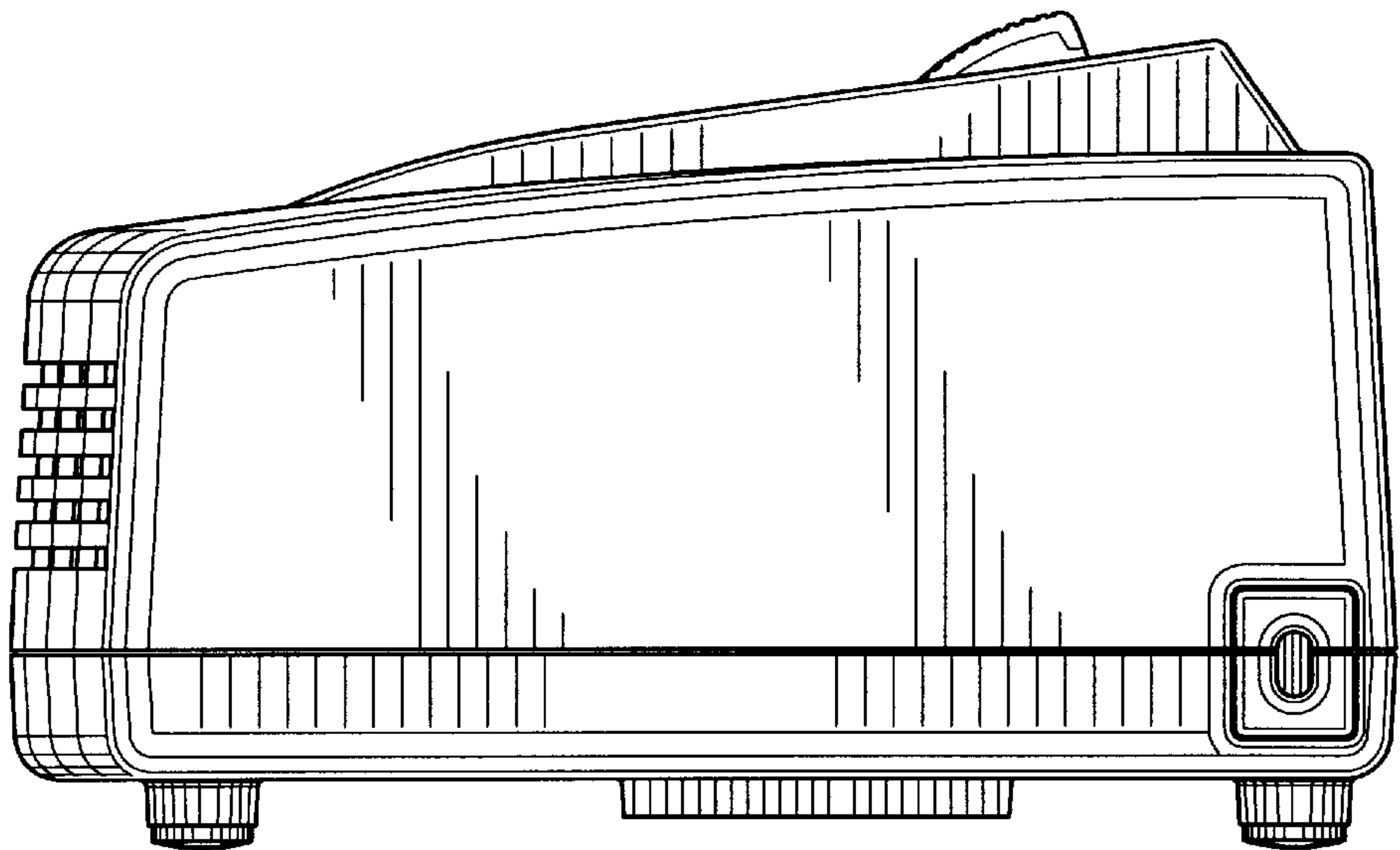


FIG. 5

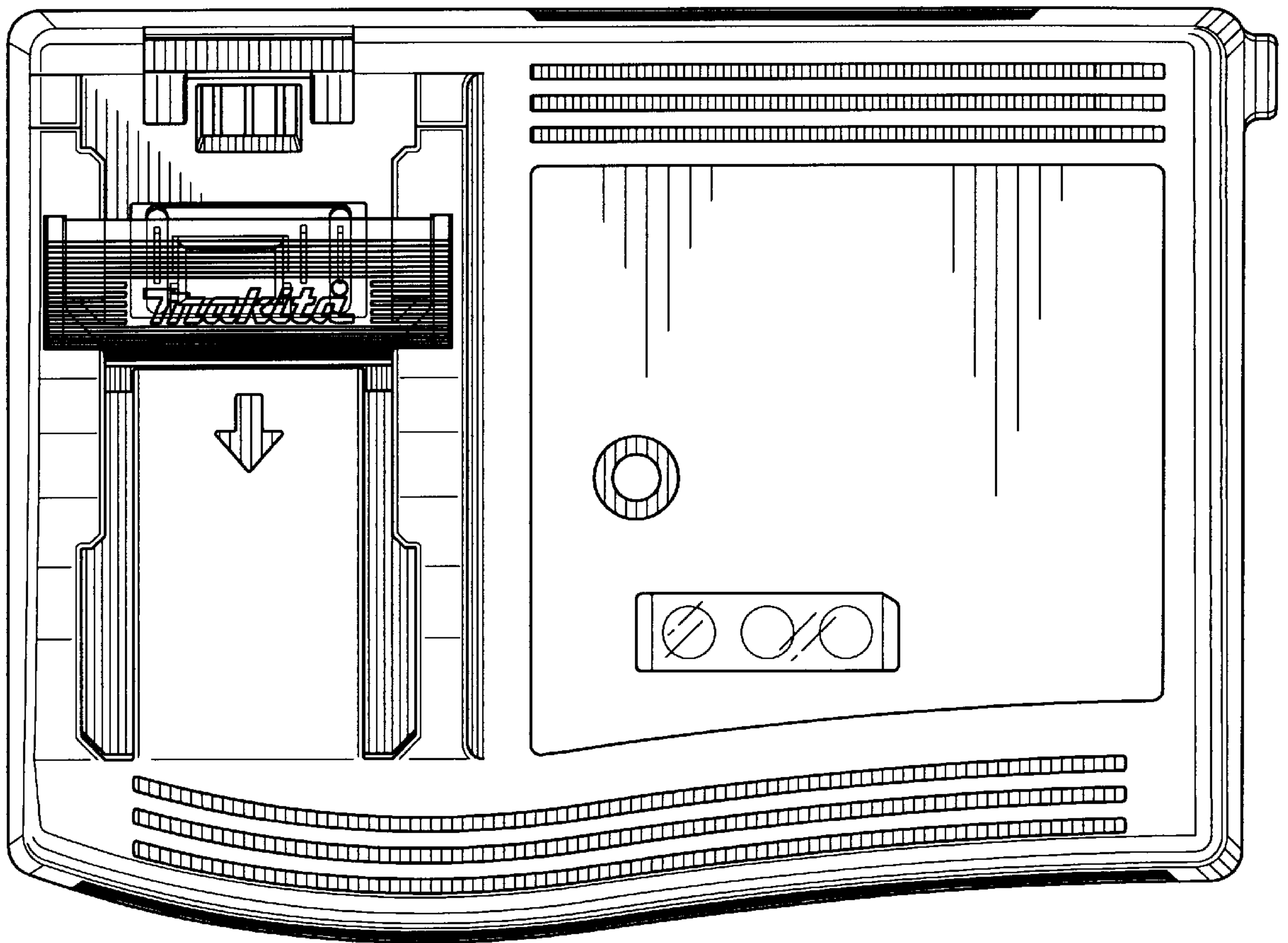


FIG. 6

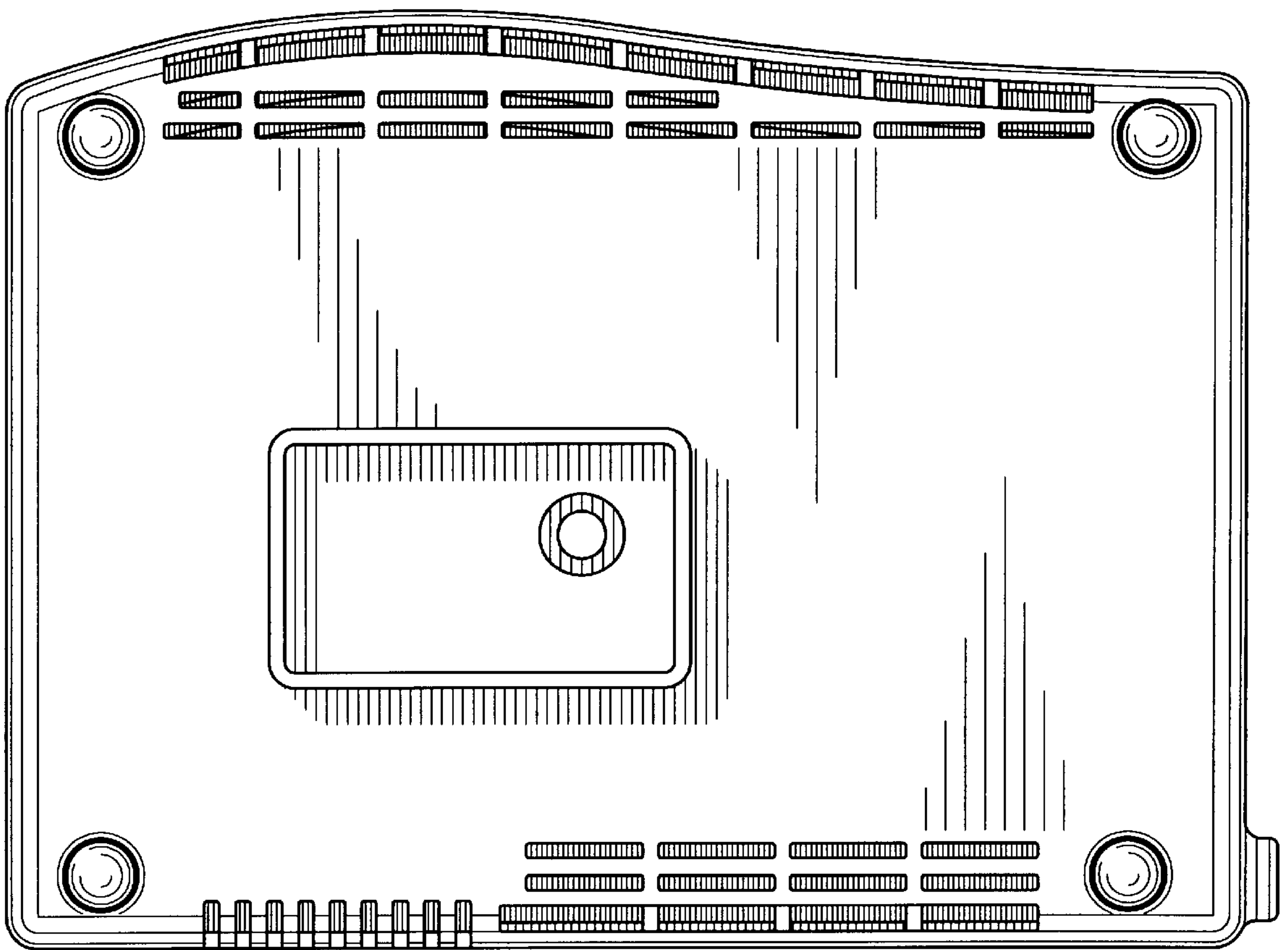


FIG. 7

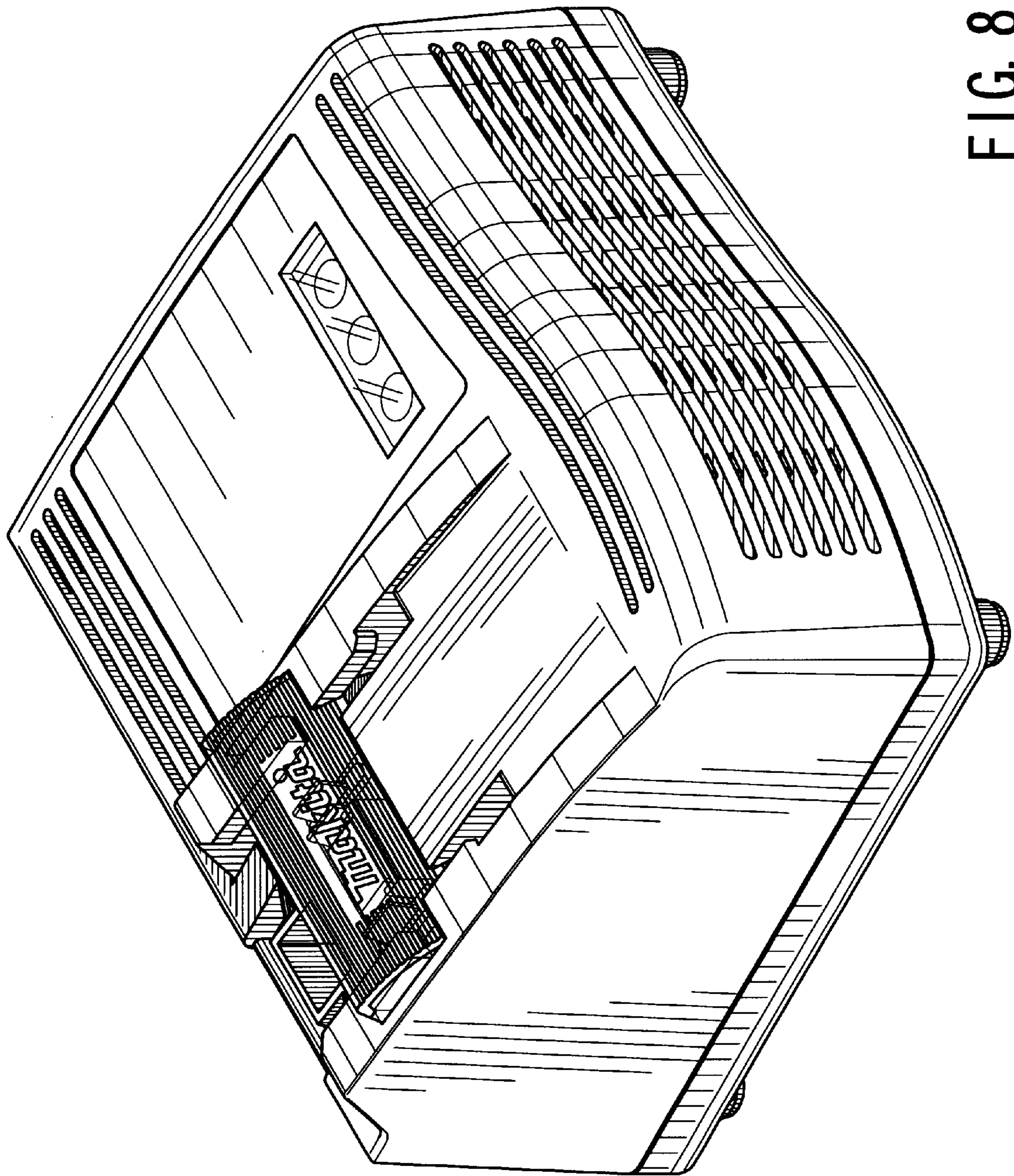


FIG. 8



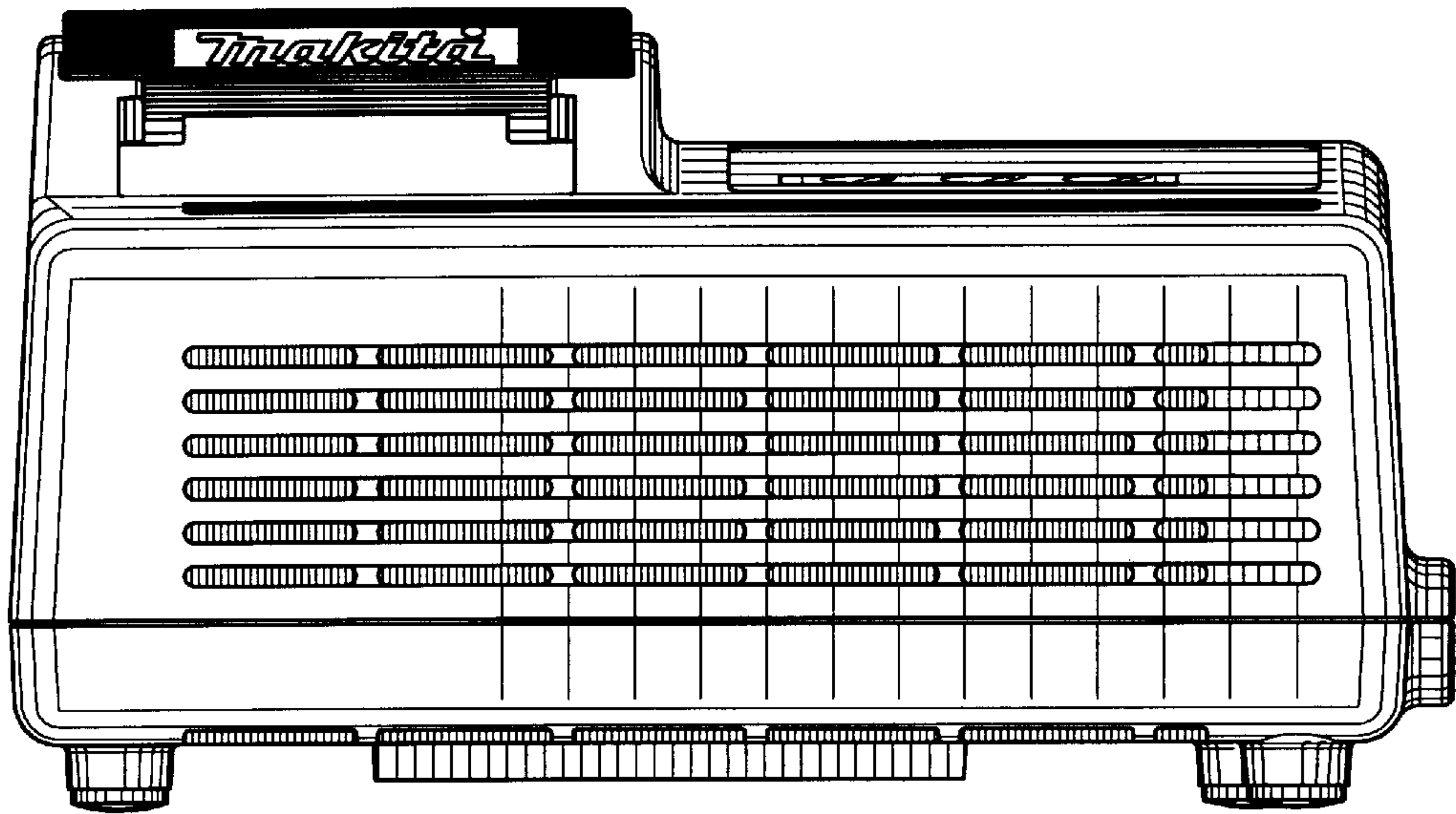


FIG. 9

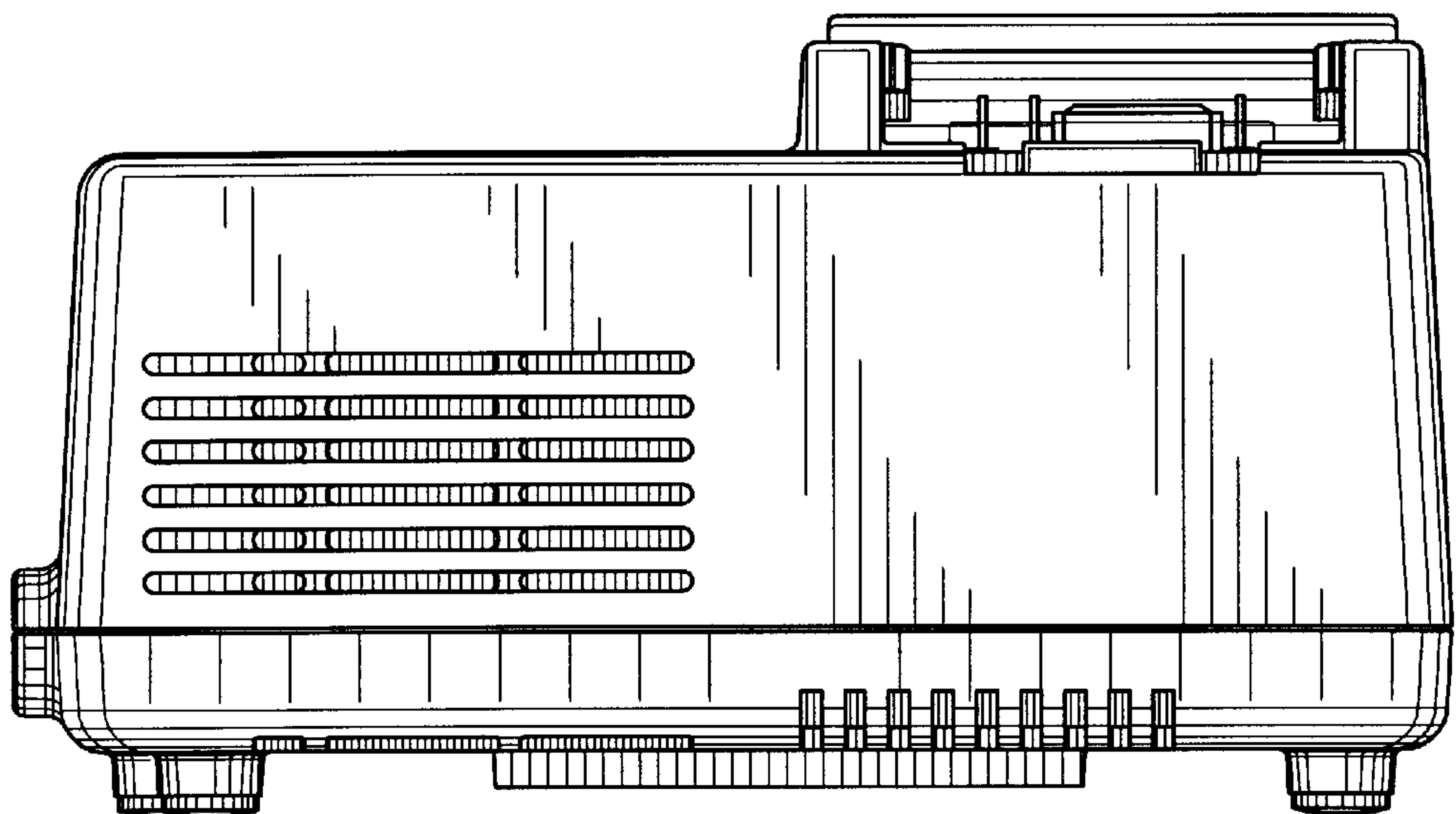


FIG. 10



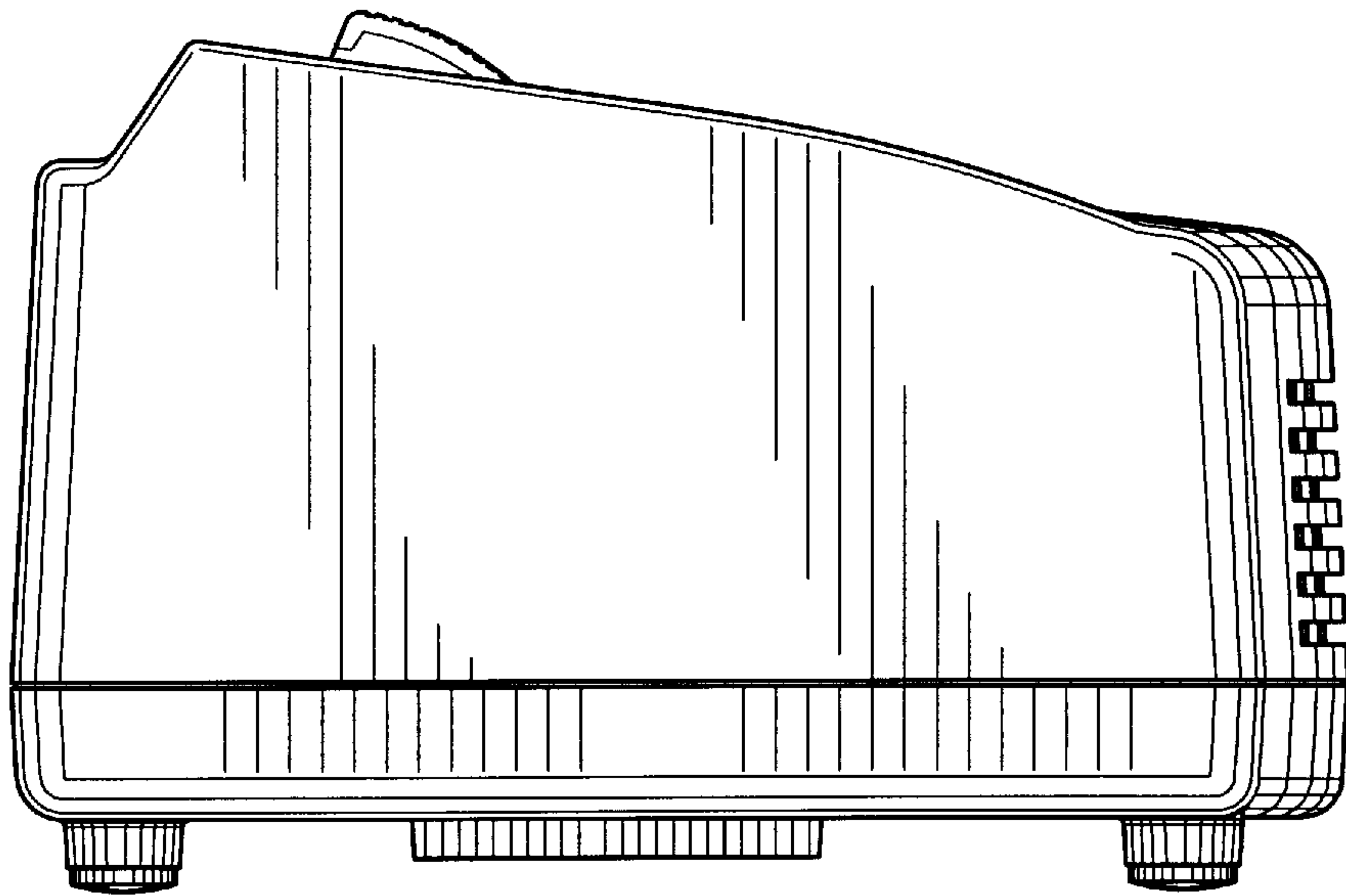


FIG. 11

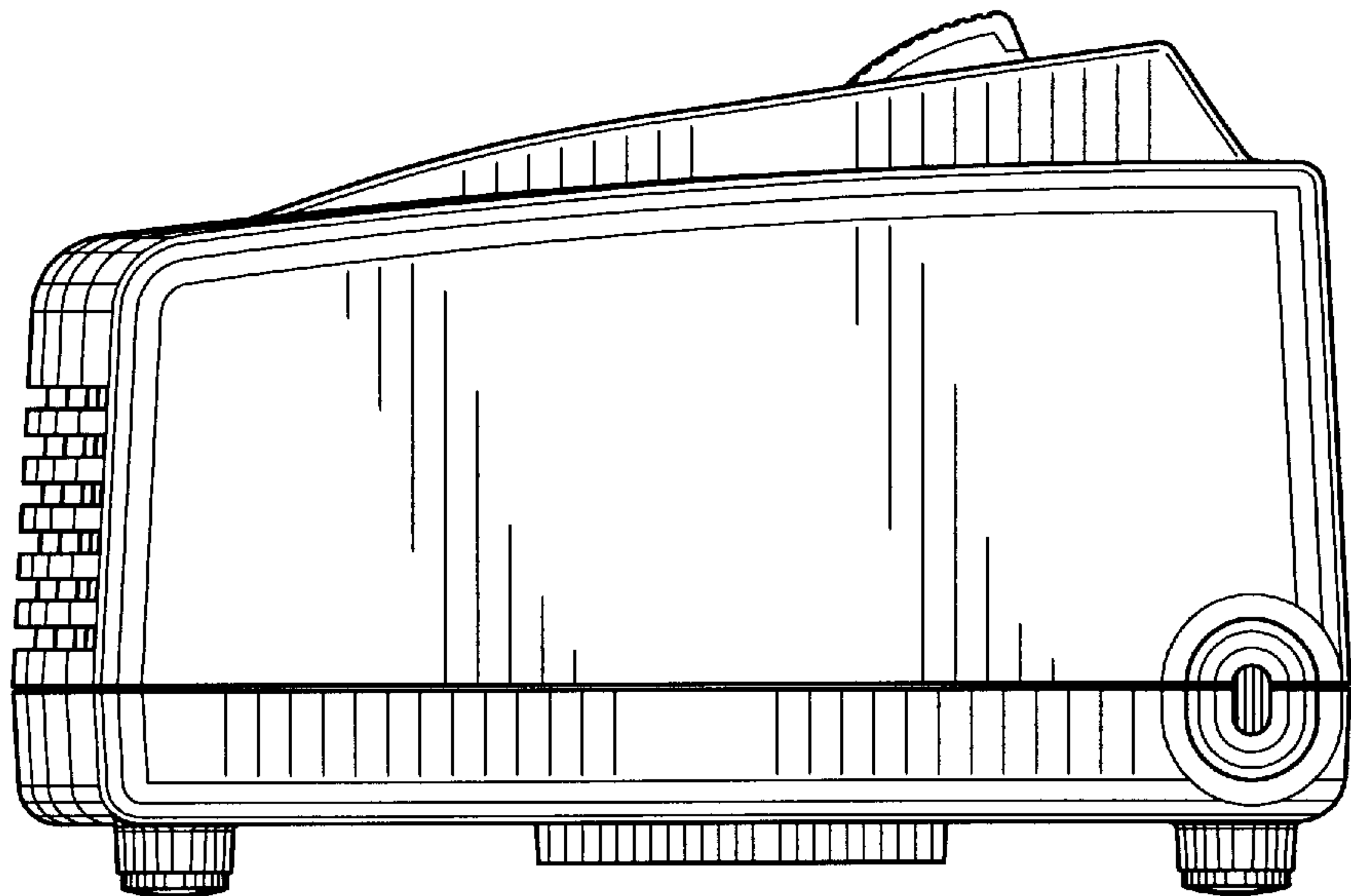


FIG. 12

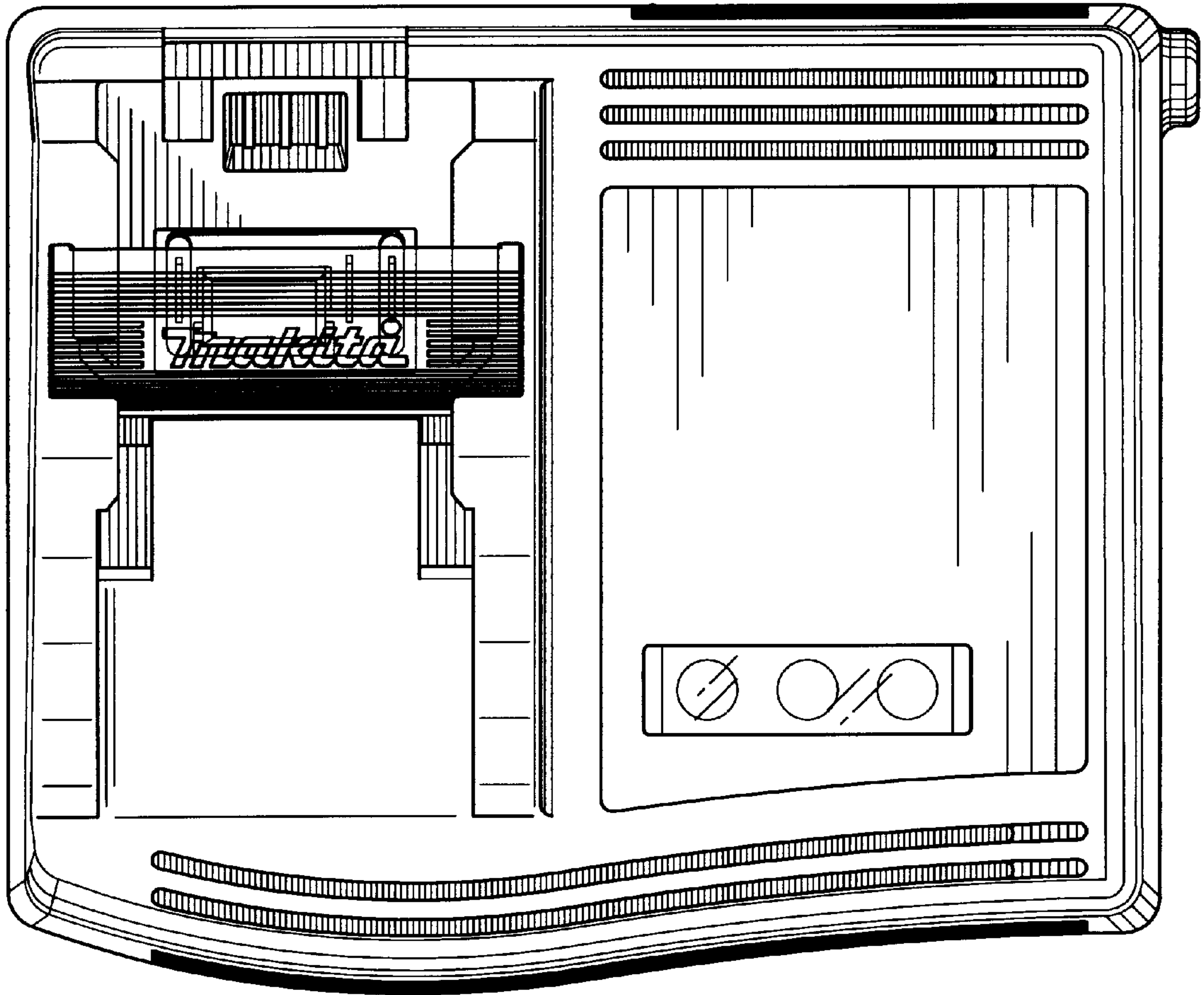


FIG. 13

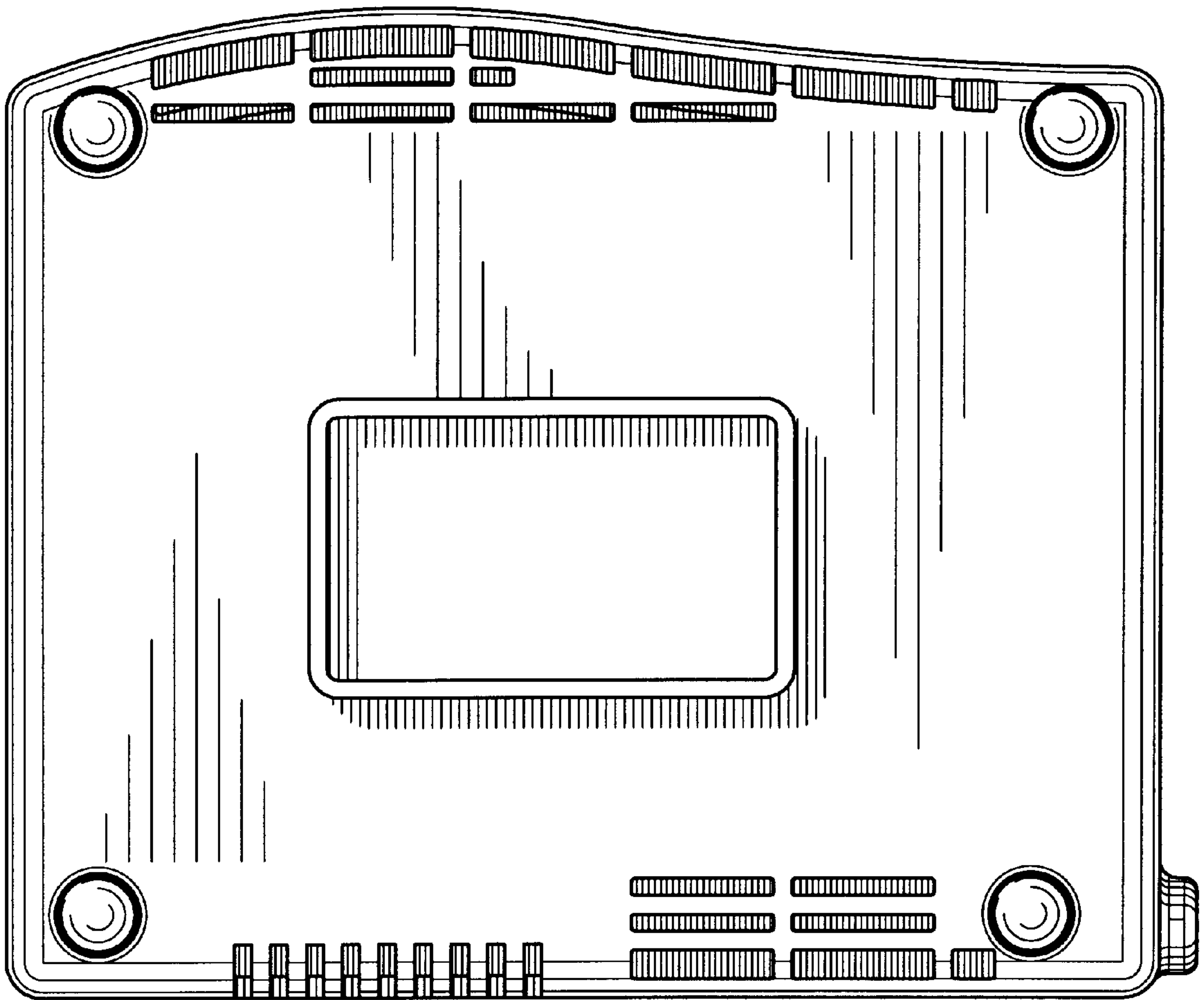


FIG. 14